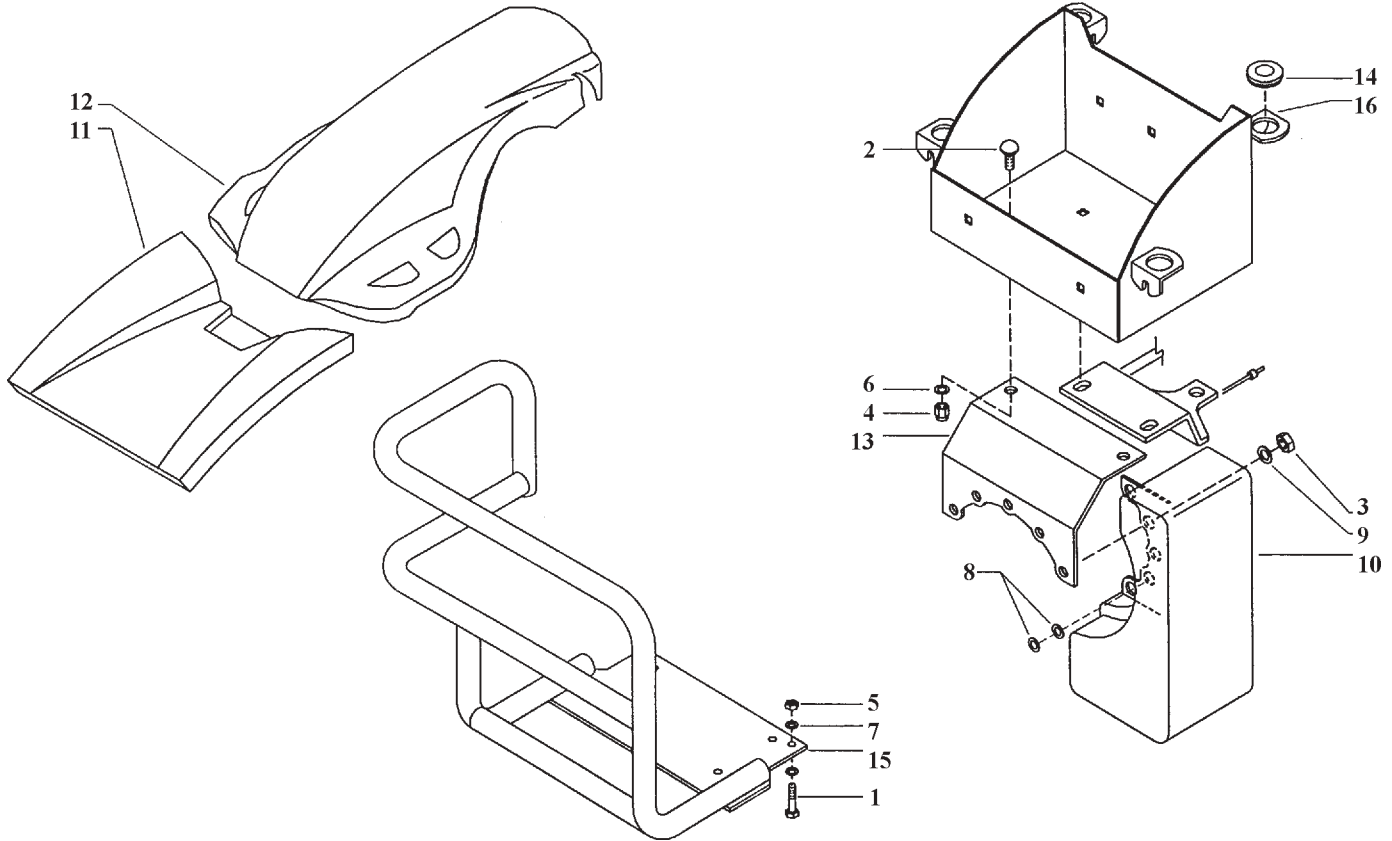
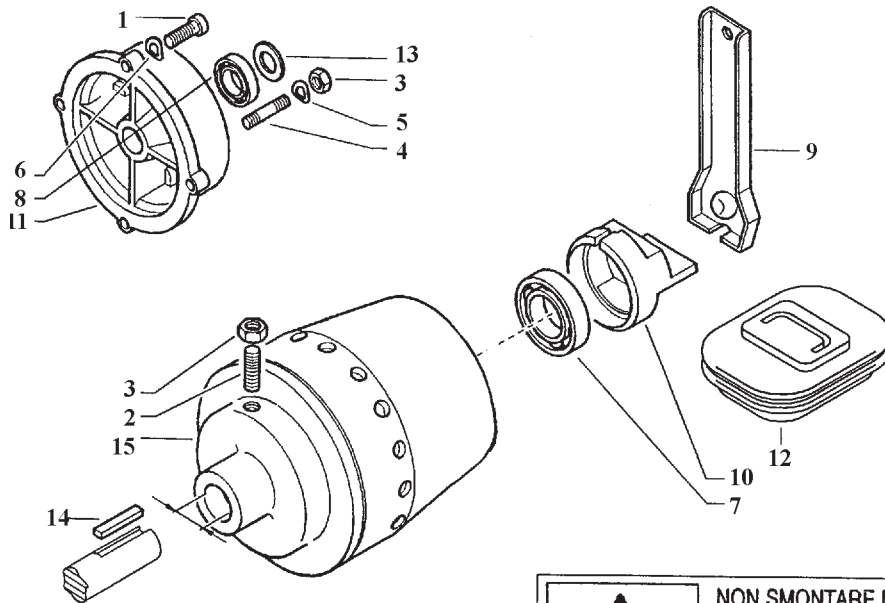




A M E R I C A

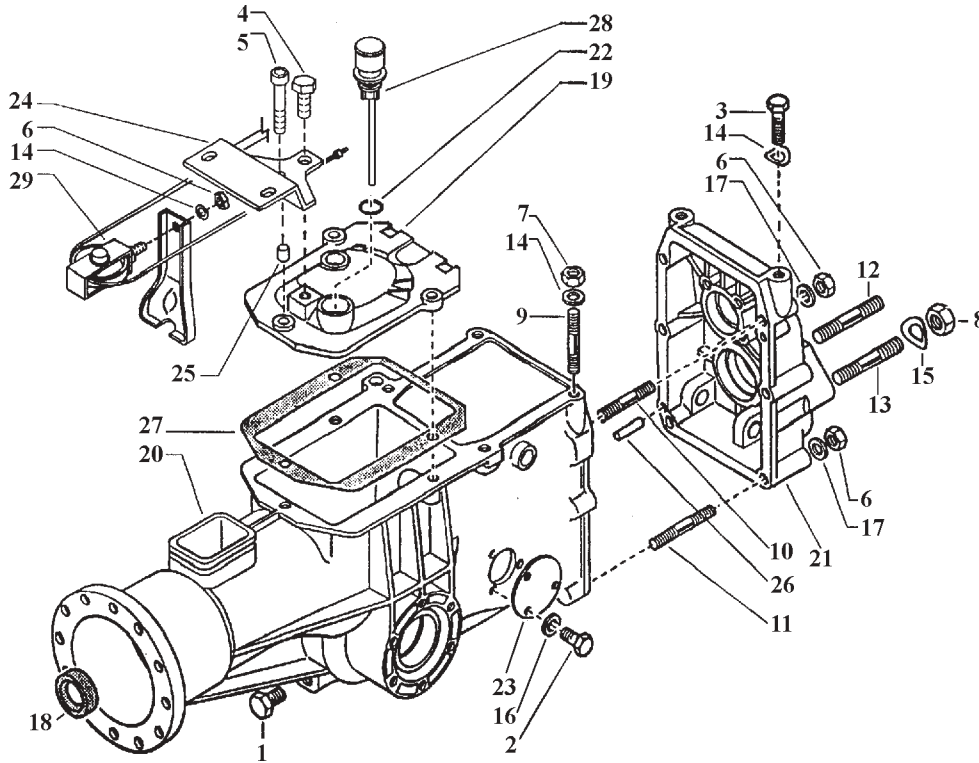


| ID | PART NO | QTY | DESCRIPTION | ID | PART NO | QTY | DESCRIPTION |
|----|-----------|-----|-------------------|----|-----------|-----|---------------------------|
| 1 | 311.12154 | | CAPSCREW M8X40 | 11 | 552.57621 | | GUARD, LOWER |
| 2 | 311.21558 | | BOLT M6 X 16 | 12 | 552.57623 | | |
| 3 | 312.11080 | | NUT M8 | 13 | 561.57603 | | SUPPORT, BATTERY/TOOL BOX |
| 4 | 312.41060 | | NUT, LOCK M6 | 14 | 580.56991 | | SUPPORT, BODY GUARD |
| 5 | 312.41080 | | NUT, LOCK M8 | 15 | 590.56113 | | BUMPER, WRAP AROUND |
| 6 | 314.11064 | | WASHER, FLAT M6 | 16 | 590.57390 | | BATTERY/TOOL BOX |
| 7 | 314.11084 | | WASHER, FLAT M8 | | | | |
| 8 | 314.14084 | | | | | | |
| 9 | 314.23084 | | WASHER, LOCK M8.4 | | | | |
| 10 | 511.56125 | | | | | | |

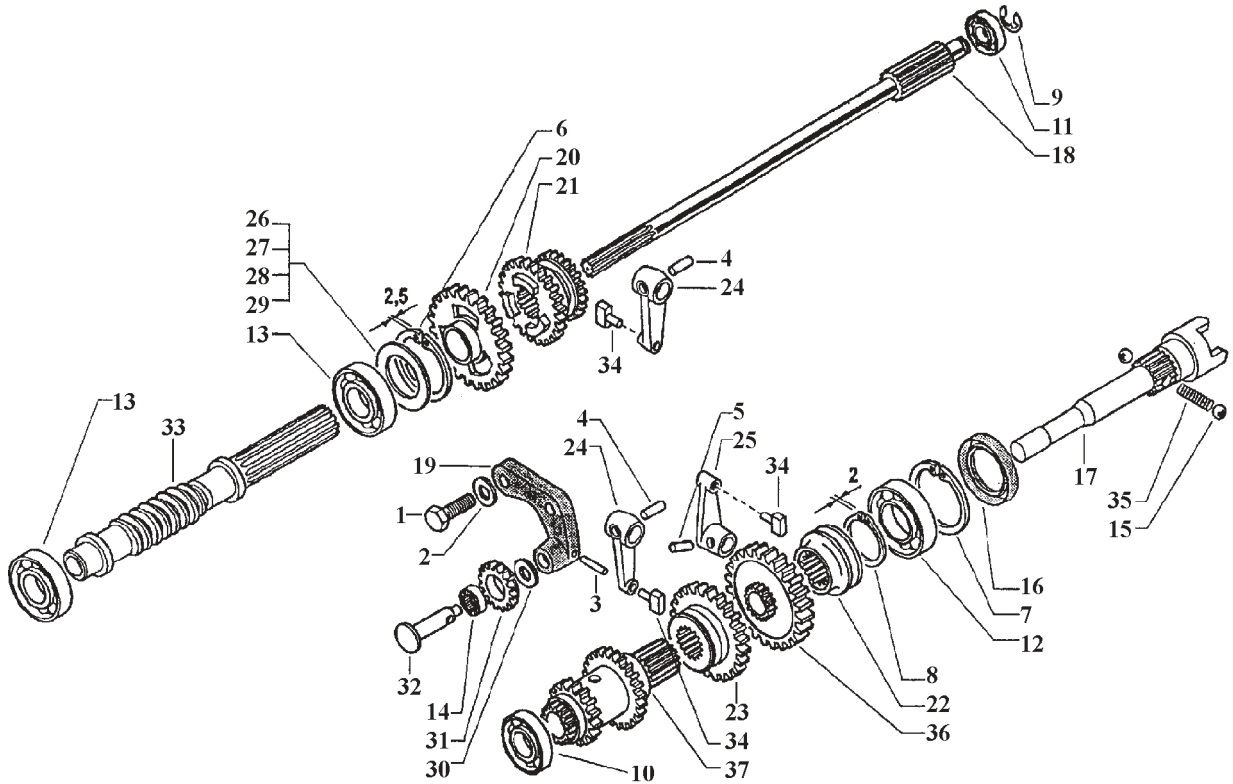


NON SMONTARE MAI LA FRIZIONE
 NEVER DISASSEMBLE THE CLUTCH
 NE DEMONTER JAMAIS L'EMBRAYAGE
 NIEMALS DIE KUPPLUNG AUSBAUEN
 NO DESMONTAR JAMAS EL EMBRAGUE

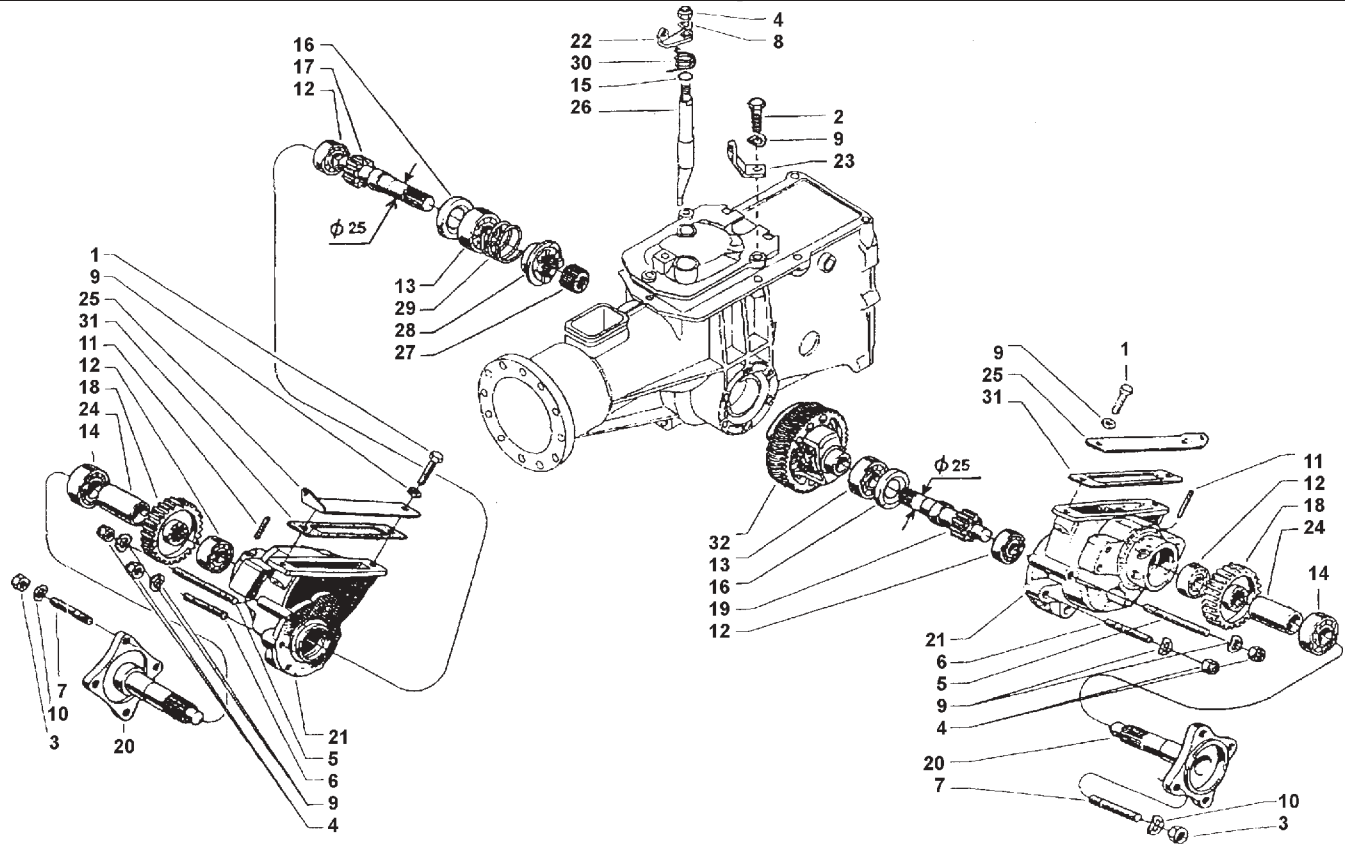
| ID | PART NO | QTY | DESCRIPTION | ID | PART NO | QTY | DESCRIPTION |
|----|-----------|-----|---------------------------|----|-----------|-----|----------------|
| 1 | 311.00015 | | CAP SCREW 3/8"X 1 | 11 | 531.56150 | | FLANGE, ENGINE |
| 2 | 311.00786 | | CAP SCREW M8X30 | 12 | 551.57609 | | BOOT |
| 3 | 312.11080 | | NUT, M8 | 13 | 563.47484 | | WASHER |
| 4 | 313.12083 | | STUDM8X46X14X14 | 14 | 563.49782 | | WOODRUFF KEY |
| 5 | 314.23084 | | WASHER, LOCK M8.4 | 15 | 592.56257 | | CONE CLUTCH |
| 6 | 314.23105 | | WASHER, WAVEY M10.4 | | | | |
| 7 | 371.12173 | | BEARING 6203 2RS 17X40X12 | | | | |
| 8 | 371.12233 | | BEARING 6006 2RS 30X55X13 | | | | |
| 9 | 509.56262 | | LEVER, CLUTCH | | | | |
| 10 | 524.47896 | | CONE PUSHER | | | | |



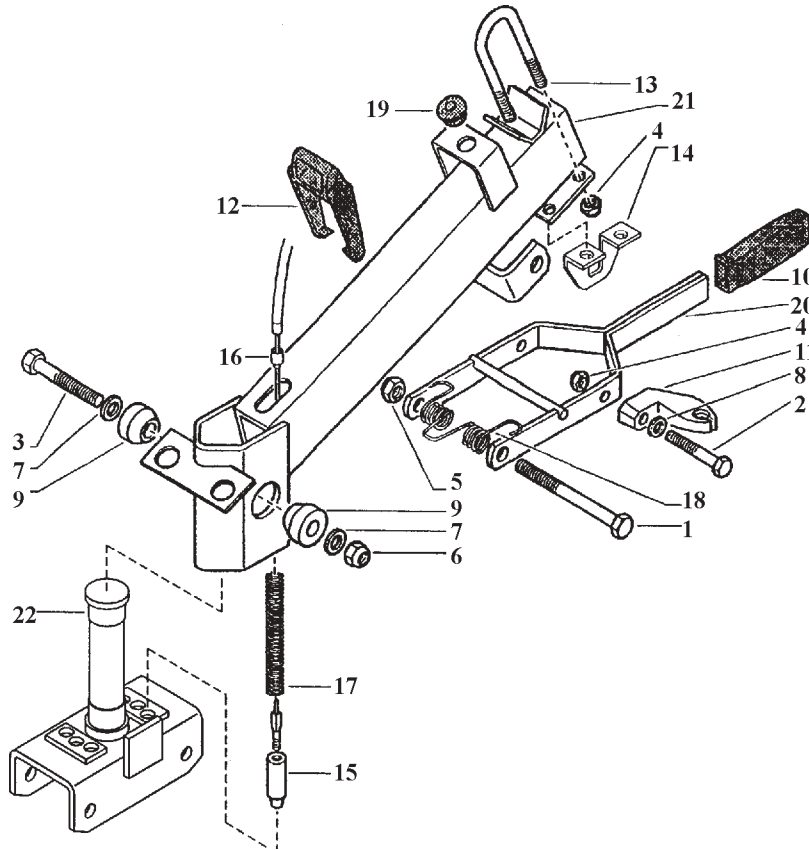
| ID | PART NO | QTY | DESCRIPTION | ID | PART NO | QTY | DESCRIPTION |
|----|-----------|-----|--------------------------|----|-----------|-----|----------------------|
| 1 | 300.40001 | | PLUG 1/4 | 16 | 314.22064 | | WASHER, LOCK M6.4 |
| 2 | 311.11090 | | CAP SCREW M6X10 | 17 | 314.23084 | | WASHER, LOCK M8.4 |
| 3 | 311.12150 | | CAP SCREW M8X20 | 18 | 382.11500 | | OIL SEAL 15X28X6 |
| 4 | 311.12219 | | CAP SCREW M10X25 | 19 | 531.43875 | | COVER, GEARBOX |
| 5 | 311.52086 | | SCREW M8X45 | 20 | 531.56326 | | GEARBOX |
| 6 | 312.41080 | | NUT, LOCK M8 | 21 | 531.56345 | | REAR COVER |
| 7 | 312.41085 | | NUT, DEFORMED LOCK M8 | 22 | 551.02678 | | O-RING |
| 8 | 312.41124 | | NUT M12 | 23 | 561.47520 | | COVER, SIDE |
| 9 | 313.12082 | | STUD M8X38X14X20 | 24 | 561.57606 | | PLATE |
| 10 | 313.12084 | | STUD M8X58X16X16 | 25 | 561.57607 | | SPACER, CLUTCH STOP |
| 11 | 313.12094 | | STUD M8X68X14X36 | 26 | 580.43053 | | PIN |
| 12 | 313.12124 | | STUD M52X12X125X22X12 | 27 | 580.43117 | | GASKET |
| 13 | 313.12125 | | STUD M64X12X125X26X12 | 28 | 590.15425 | | CAP W/ MEASURING ROD |
| 14 | 314.21083 | | WASHER, SUPER M8 | 29 | 590.56258 | | PULLEY ASSEMBLY |
| 15 | 314.21132 | | WASHER, TAPERED M13X24X3 | | | | |



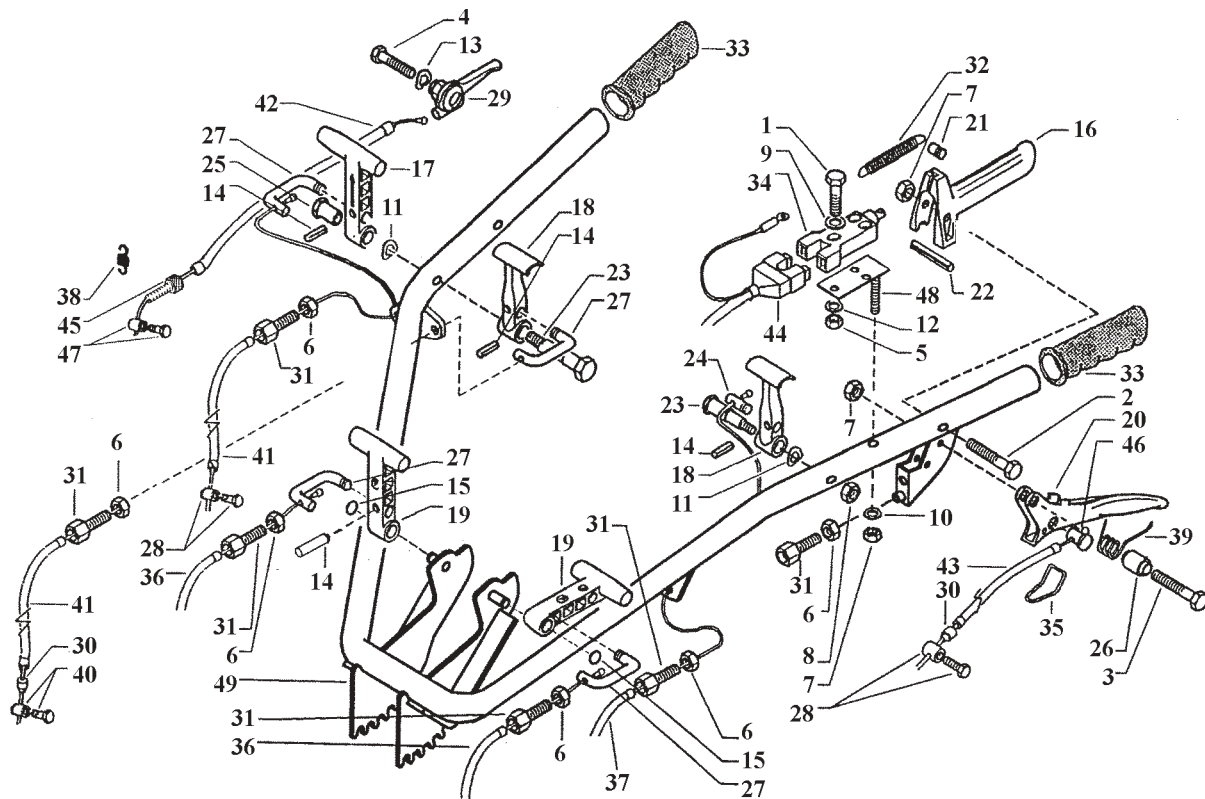
| ID | PART NO | QTY | DESCRIPTION | ID | PART NO | QTY | DESCRIPTION |
|----|-----------|-----|--------------------------|----|-----------|-----|-----------------------|
| 1 | 311.12211 | | CAP SCREWM10X30 | 21 | 524.56360 | | GEAR, SLIDER 4+3 |
| 2 | 314.21101 | | WASHER, SUPER M10 | 22 | 524.56362 | | PTO SLIDER |
| 3 | 342.11042 | | PIN, SPLIT | 23 | 524.56370 | | SLIDER, REVERSER |
| 4 | 342.13060 | | PIN, SPIROL SPLIT | 24 | 524.56389 | | LEVER, REVERSER |
| 5 | 342.13061 | | PIN, SPIROL SPLIT | 25 | 524.56390 | | LEVER, PTO ENGAGEMENT |
| 6 | 351.11053 | | SNAP RING D52 | 26 | 563.56328 | | SHIM 1.5MM |
| 7 | 351.11055 | | SNAP RING D55 | 27 | 563.56329 | | SHIM 1.6MM |
| 8 | 351.21031 | | SNAP RING D31 | 28 | 563.56330 | | SHIM 1.7MM |
| 9 | 352.11120 | | RING, SPLIT RS12 DIN 679 | 29 | 563.56331 | | SHIM 1.8MM |
| 10 | 371.11150 | | BEARING 6202 15X35X11 | 30 | 563.56348 | | WASHER |
| 11 | 371.11152 | | BEARING 6302 15X42X13 | 31 | 564.56347 | | GEAR, REVERSE |
| 12 | 371.12229 | | BEARING 6006 30X55X13 | 32 | 564.56351 | | PIN, REVERSE GEAR |
| 13 | 371.41250 | | BEARING 7205B 25X52X15 | 33 | 564.56479 | | WORM GEAR |
| 14 | 373.20120 | | BEARING 12X15X10 | 34 | 580.43086 | | SHOE |
| 15 | 379.10832 | | BALL 1/4 | 35 | 580.56391 | | SPRING, PTO BALLS |
| 16 | 382.13800 | | OIL SEAL 38X55X7 | 36 | 590.56365 | | GEAR, PTO |
| 17 | 524.56336 | | SHAFT, PTO | 37 | 590.56383 | | GEAR, CLUSTER |
| 18 | 524.56340 | | SHAFT, MAIN DRIVE | | | | |
| 19 | 524.56349 | | SUPPORT, REVERSE GEAR | | | | |
| 20 | 524.56354 | | GEAR, FIRST | | | | |



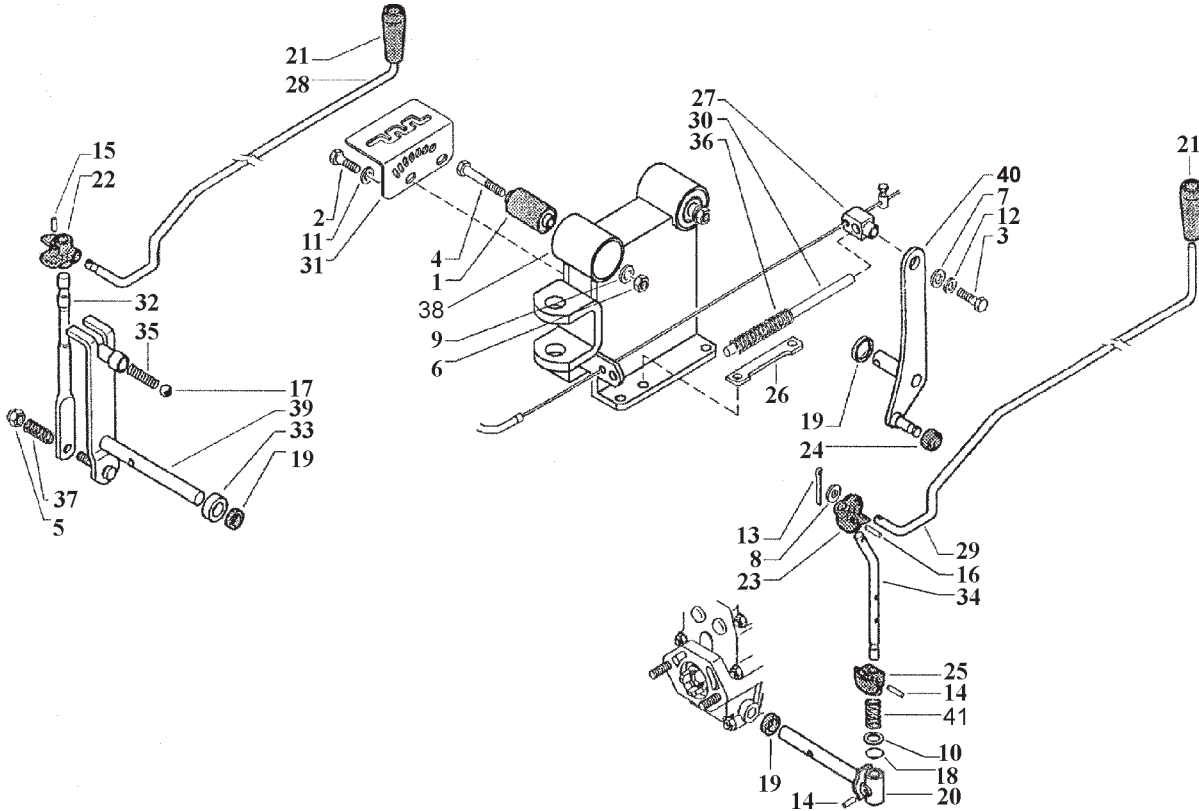
| ID | PART NO | QTY | DESCRIPTION | ID | PART NO | QTY | DESCRIPTION |
|----|-----------|-----|------------------------|----|-----------|-----|------------------------------|
| 1 | 311.12150 | | SCREW, M8X20 | 21 | 532.49635 | | CASE, REDUCTION UNIT |
| 2 | 311.12152 | | SCREW TE M8X30 | 22 | 561.43880 | | LEVER, RELEASE |
| 3 | 312.11100 | | NUT, M10 T | 23 | 561.43883 | | BRACKET, DIFF SHEATH CABLE |
| 4 | 312.41080 | | NUT, SELF LOCKING M8 | 24 | 561.49644 | | SPACER |
| 5 | 313.12085 | | STUD | 25 | 561.49645 | | COVER |
| 6 | 313.12089 | | STUD | 26 | 564.43871 | | ROD |
| 7 | 313.12102 | | STUD M10X40 | 27 | 564.48183 | | SPACER GEAR FOR DIFFERENTIAL |
| 8 | 314.11084 | | FLAT WASHER, 8.4 | 28 | 564.48196 | | COUPLING |
| 9 | 314.23084 | | WAVE WASHER | 29 | 580.43874 | | SPRING |
| 10 | 314.23105 | | WAVE WASHER | 30 | 580.43881 | | SPRING |
| 11 | 342.13040 | | PIN, SPIRAL M4X45 | 31 | 580.49646 | | GASKET, COVER |
| 12 | 371.11170 | | BEARING 6203 17X40X12 | 32 | 590.49637 | | DIFFERENTIAL, COMPLETE |
| 13 | 371.11250 | | BEARING 6205 25X52X17 | | | | |
| 14 | 371.12253 | | BEARING | | | | |
| 15 | 381.11400 | | O-RING 2056 14.00X1.78 | | | | |
| 16 | 382.13003 | | OIL SEAL, 30X47X7 | | | | |
| 17 | 524.49640 | | DRIVE SHAFT, RH | | | | |
| 18 | 524.49641 | | DRIVE GEAR | | | | |
| 19 | 524.49642 | | DRIVE SHAFT, LH | | | | |
| 20 | 524.49643 | | HALF AXLE | | | | |



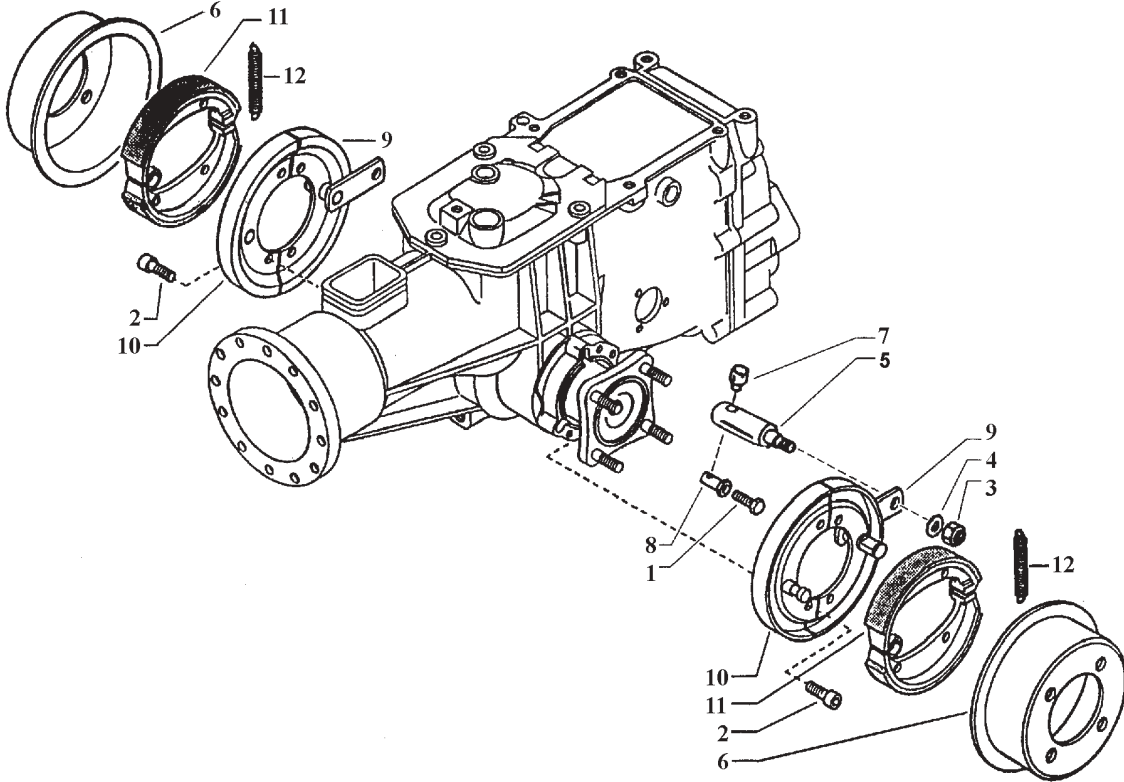
| ID | PART NO | QTY | DESCRIPTION | ID | PART NO | QTY | DESCRIPTION |
|----|-----------|-----|------------------------|----|-----------|-----|----------------------------|
| 1 | 311.11229 | | CAP SCREW M10X110 | 16 | 580.42167 | | SHEATH END |
| 2 | 311.12154 | | CAP SCREW M8X40 | 17 | 580.56918 | | SPRING, STEERING COLUMN |
| 3 | 311.12293 | | CAP SCREW M12X80 | 18 | 580.56942 | | SPRING, HANDLEBAR RELEASE |
| 4 | 312.41080 | | NUT, SELF LOCKING M8 | 19 | 580.56991 | | SUPPORT CAP |
| 5 | 312.41100 | | NUT, SELF LOCKING M10 | 20 | 590.56935 | | LEVER, HANDLEBAR SELECTION |
| 6 | 312.41126 | | NUT, LOCK DEFORMED M12 | 21 | 590.57025 | | STEERING COLUMN |
| 7 | 314.21100 | | SPRING | 22 | 590.57033 | | COUPLER, STEERING COLUMN |
| 8 | 314.23084 | | WASHER, LOCK M8.4 | | | | |
| 9 | 521.56917 | | WEDGE | | | | |
| 10 | 551.02714 | | KNOB | | | | |
| 11 | 552.43340 | | SUPPORT, CONTROL ROD | | | | |
| 12 | 552.49668 | | GUIDE, CABLE | | | | |
| 13 | 561.56940 | | U-BOLT | | | | |
| 14 | 561.56948 | | BRACKET | | | | |
| 15 | 563.56924 | | CAP | | | | |



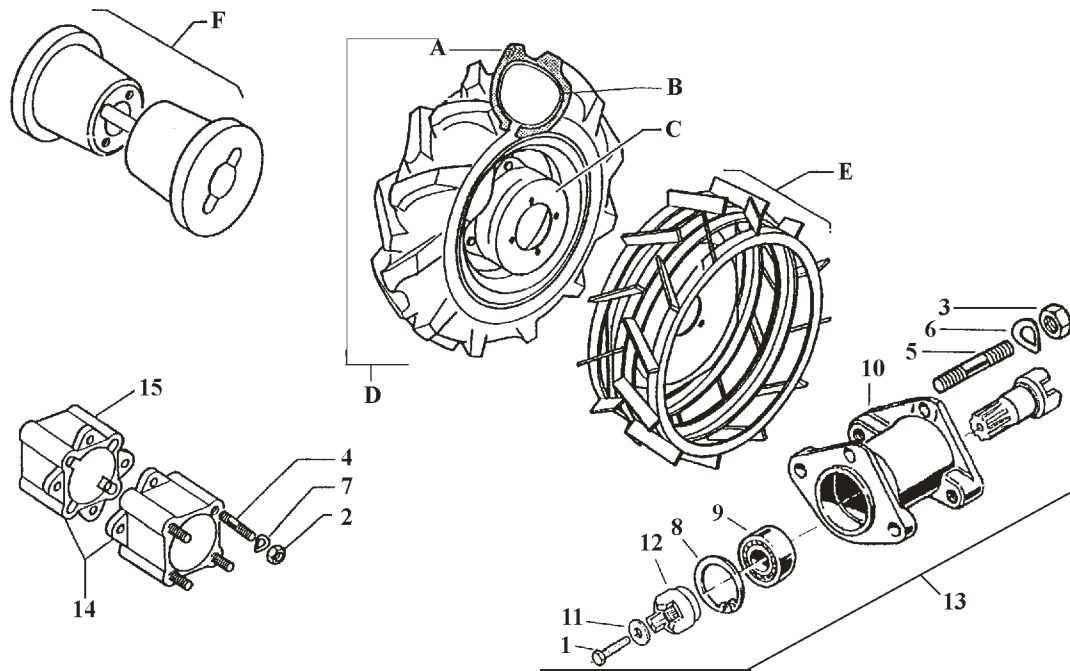
| ID | PART NO | QTY | DESCRIPTION | ID | PART NO | QTY | DESCRIPTION |
|----|-----------|-----|--------------------------|----|-----------|-----|-------------------------|
| 1 | 311.11086 | | CAP SCREW M4X25 | 26 | 561.50361 | | SPACER, LEVER |
| 2 | 311.11097 | | CAP SCREW M6X45 | 27 | 561.57332 | | PIN, REVERSE CABLE |
| 3 | 311.12089 | | CAP SCREW M6X25 | 28 | 580.02429 | | CLAMP, CABLE |
| 4 | 311.12153 | | CAP SCREW M8X35 | 29 | 580.02538 | | LEVER, ACCELERATOR |
| 5 | 312.11040 | | NUT, M4 | 30 | 580.42167 | | SHEATHEND |
| 6 | 312.11080 | | NUT, M8 | 31 | 580.42202 | | SCREW, ADJUSTING M8 |
| 7 | 312.41060 | | NUT, SELF LOCKING M6 | 32 | 580.47712 | | SPRING |
| 8 | 312.41080 | | NUT, SELF LOCKING M8 | 33 | 580.48000 | | GRIP |
| 9 | 314.11043 | | WASHER, FLAT M4.3 | 34 | 580.48009 | | SAFETY INTERLOCK |
| 10 | 314.11064 | | WASHER, FLAT M6.4 | 35 | 580.51670 | | STOP WIRE |
| 11 | 314.11084 | | WASHER, FLAT M8.4 | 36 | 580.52301 | | CABLE & SHEATH, BRAKE |
| 12 | 314.23043 | | WASHER, LOCK M4.3 | 37 | 580.53049 | | CABLE & SHEATH |
| 13 | 314.23084 | | WASHER, LOCK M8.4 | 38 | 580.56155 | | SPRING |
| 14 | 342.13020 | | PIN, SPLIT SPIROL 4X20 | 39 | 580.56593 | | SPRING |
| 15 | 351.21012 | | SNAP RING, D12 | 40 | 580.57263 | | CLAMP, CABLE |
| 16 | 552.48041 | | LEVER, MOTOR STOP | 41 | 580.57289 | | CABLE & SHEATH, REVERSE |
| 17 | 552.48283 | | LEVER, REVERSER | 42 | 580.57336 | | CABLE, ACCELERATOR |
| 18 | 552.48284 | | LEVER, DIFFERENTIAL LOCK | 43 | 580.57343 | | CABLE & SHEATH, CLUTCH |
| 19 | 552.57042 | | LEVER, BRAKE | 44 | 580.57401 | | WIRE, MOTOR STOP |
| 20 | 561.47655 | | LEVER, CLUTCH | 45 | 581.47704 | | SCREW, ADJUSTING M6 |
| 21 | 561.47711 | | PIN, LATCH | 46 | 581.50313 | | BARRELL |
| 22 | 561.48037 | | PIN | 47 | 581.56156 | | CLAMP, THROTTLE |
| 23 | 561.48285 | | PIN | 48 | 590.47709 | | PLATE, INTERLOCK |
| 24 | 561.48286 | | PIN, DRILLED | 49 | 590.57036 | | HANDLE BAR |
| 25 | 561.48287 | | BUSHING, REVERSE LEVER | | | | |



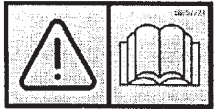
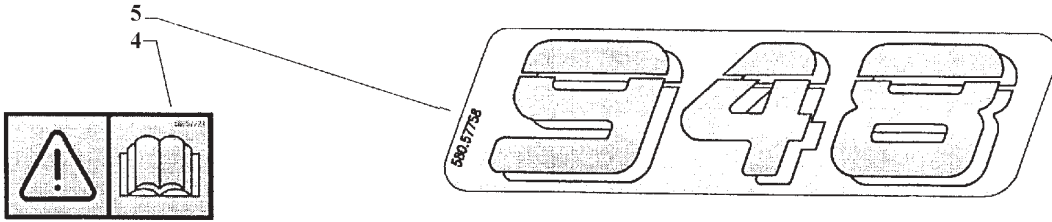
| ID | PART NO | QTY | DESCRIPTION | ID | PART NO | QTY | DESCRIPTION |
|----|-----------|-----|--------------------------|----|-------------|-----|--------------------------|
| 1 | 300.10120 | | SILENTBLOCK 12X40X58X66- | 26 | 561.47560 | | LEVER, REVERSE SPEED |
| 2 | 311.12148 | | CAP SCREW M8X14 | 27 | 561.47574 | | BLOCK, REVERSER |
| 3 | 311.12149 | | CAP SCREW M8X12 | 28 | 561.47646 | | CONTROL ROD, GEAR SELECT |
| 4 | 311.12701 | | CAP SCREW M12X100 | 29 | 561.47648 | | CONTROL ROD, PTO |
| 5 | 312.41080 | | NUT, SELF LOCKING M8 | 30 | 561.47672 | | PIN, GUIDE |
| 6 | 312.41120 | | NUT, SELF LOCKING M12 | 31 | 561.57239 | | GEAR QUADRANT |
| 7 | 314.11084 | | WASHER, FLAT M8.4 | 32 | 561.57271 | | LEVER, GEAR |
| 8 | 314.11104 | | WASHER, FLAT M10.5 | 33 | 561.57303 | | SPACER |
| 9 | 314.11130 | | WASHER, FLAT M13X25 | 34 | 561.57324 | | SHIFT ARM, PTO |
| 10 | 314.14130 | | WASHER, FLAT M13 | 35 | 580.43176 | | SPRING |
| 11 | 314.21083 | | WASHER, SUPER M8 | 36 | 580.47671 | | SPRING, REVERSER |
| 12 | 314.23084 | | WASHER, LOCK M8.4 | 37 | 580.57232 | | SPRING |
| 13 | 341.10028 | | COTTER PIN, 2X15 | 38 | 590.57027 | | SUPPORT, STEERING COLUMN |
| 14 | 342.13020 | | PIN, SPIROL M4X20 | 39 | 590.57300 | | LEVER, SPEED SELECTOR |
| 15 | 342.13022 | | PIN, SPIROL 3X22 | 40 | 590.57317 | | LEVER, PTO LOCKOUT |
| 16 | 342.13024 | | PIN, SPIROL 4X24 | 41 | F0831193010 | | SPRING |
| 17 | 379.11532 | | BALL 15/32 | | | | |
| 18 | 381.11191 | | O-RING | | | | |
| 19 | 382.11400 | | OIL SEAL M14X22X4 | | | | |
| 20 | 523.57250 | | SHAFT, PTO | | | | |
| 21 | 551.42076 | | KNOB | | | | |
| 22 | 552.47644 | | JOINT | | | | |
| 23 | 552.48379 | | ARTICULATION, PTO | | | | |
| 24 | 552.57313 | | PIN, PTO LOCKOUT | | | | |
| 25 | 552.57321 | | ARTICULATION, PTO | | | | |



| ID | PART NO | QTY | DESCRIPTION | ID | PART NO | QTY | DESCRIPTION |
|----|-----------|-----|----------------------|----|-----------|-----|----------------|
| 1 | 311.11091 | | CAP SCREW M6X14 | 11 | 590.48208 | | PIN, HALF DISC |
| 2 | 311.52085 | | CAP SCREW M8X25 | 12 | 580.48214 | | BRAKE SHOE |
| 3 | 312.41080 | | NUT, SELF LOCKING M8 | | | | |
| 4 | 314.11084 | | WASHER, FLAT M8.4X17 | | | | |
| 5 | 580.48215 | | SPRING | | | | |
| 6 | 561.48218 | | BRAKE DRUM | | | | |
| 7 | 563.49649 | | HOLDER, CABLE | | | | |
| 8 | 580.42167 | | SHEATH END | | | | |
| 9 | 580.42200 | | PIN, CABLE CLAMP | | | | |
| 10 | 590.48200 | | LEVER | | | | |

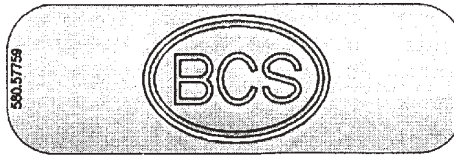
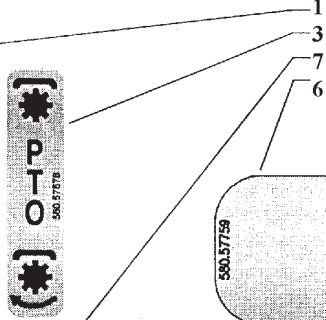


| ID | PART NO | QTY | DESCRIPTION | ID | PART NO | QTY | DESCRIPTION |
|----|-----------|-----|-----------------------------|----|-----------|------|--|
| 1 | 311.12090 | | CAP SCREW M6X16 | 11 | 524.57866 | | SHAFT |
| 2 | 312.11100 | | NUT, M10 | 12 | 561.58943 | | WASHER |
| 3 | 312.21121 | | NUT, M12 | 13 | 564.58942 | | COUPLER |
| 4 | 313.12103 | | STUDM10X46X24X16 | 14 | | | PTO EXTENSION 3" |
| 5 | 313.12124 | | STUDM52X12X22X12 | 15 | 922.43685 | PAIR | WHEEL EXTENSIONS COMPLETE |
| 6 | 314.21132 | | WASHER, TAPERED M13 | 16 | NSI | | USE ITEM# 922.43685 |
| 7 | 314.23105 | | WASHER, M10.5 | | | | |
| 8 | 351.11047 | | SNAP RING D47 | | | | |
| 9 | 371.12252 | | BEARING 6005 2RS 25X47X12 | | | | |
| 10 | 513.59229 | | 3" PTO EXTENSION HOUSING | | | | |
| A | 391.15012 | | TIRE 5.00 - 12" | D | 922.44809 | PR | WHEELS COMPLETE 5.00 - 12" |
| | 391.16018 | | TIRE 6.50/80 - 12" | | 922.44806 | PR | WHEELS COMPLETE 6.50/80 - 12" |
| | 391.16020 | | TIRE 6.50/80 - 15" | | | PR | WHEELS COMPLETE 6.50/80 - 15" |
| B | 394.15012 | | TUBE 5.00 - 12" | E | 922.49993 | PR | STEEL WHEELS |
| | 394.16018 | | TUBE 6.50/80 - 12" | | | | |
| | 394.16020 | | TUBE 6.50/80 - 15" | F | 922.48720 | PR | WHEEL WEIGHTS 150 LBS 12 & 15" |
| C | 580.44804 | | RIM 5.00 - 12" & 6.50 - 12" | | | | |
| | 580.42746 | | RIM 6.50/80 - 15" | | | | |
| | | | | | | | PR=Pair |
| | | | | | | | NSI - Not serviced individually |



CHECK OIL BEFORE STARTING

- ENGINE CRANKCASE- SAE 10W40 OIL - FILL TO EDGE OF FILLER HOLE- CHECK EVERY 4 HOURS
- TRANSMISSION - 90 EP GEAR OIL
- IMPLEMENTS DRIVING UNIT-90EP GEAR OIL LEVEL WITH FILLER PLUG

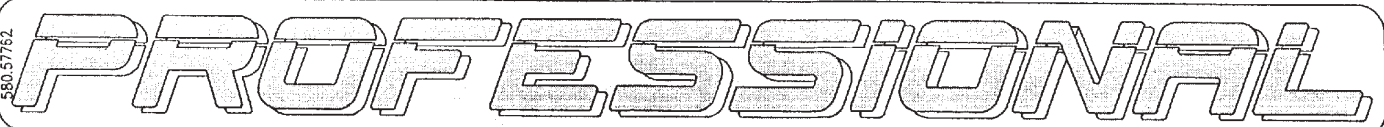


TO START

- SET CLUTCH LATCH (SEE DECAL ON HANDLE)
- MOVE THROTTLE TO MIDDLE POSITION
- OPEN FUEL VALVE AT FUEL TANK
- LIFT CHOKE LEVER UP TO CHOKE FOR COLD START FOOT HERE

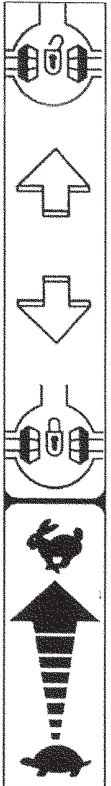
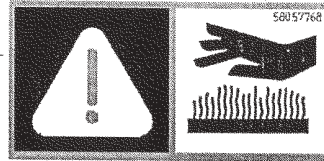
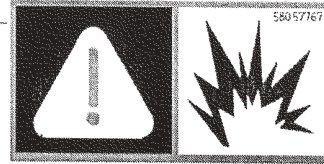
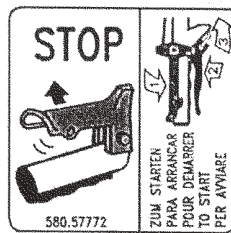
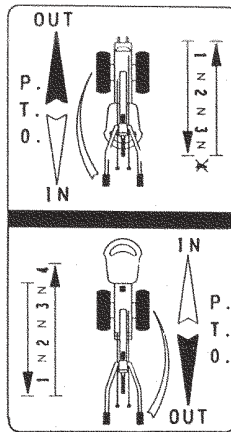
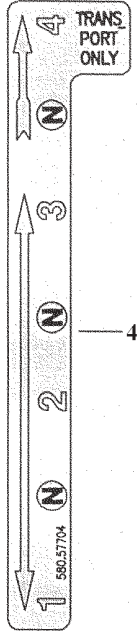


- STABILIZE MACHINE
- GRASP STARTER HANDLE AND PULL FIRMLY- ELECTRIC START MODELS-TURN KEY MOVE CHOKE DOWN TO OFF



| ID | PART NO | QTY | DESCRIPTION | ID | PART NO | QTY | DESCRIPTION |
|----|-----------|-----|-----------------------|----|-----------|-----|---------------------|
| 1 | 580.47959 | | DECAL, CHECK OIL | 6 | 580.57759 | | DECAL, SMALL BCS |
| 2 | 580.47960 | | DECAL, TO START | 7 | 580.57762 | | DECAL, PROFESSIONAL |
| 3 | 580.57678 | | DECAL, PTO | | | | |
| 4 | 580.57724 | | DECAL, READ OP MANUAL | | | | |
| 5 | 580.57758 | | DECAL, 948 | | | | |

580.57770
KUPPLUNG
EMBRAYAGE
EMBRAGUE
CLUTCH
FRIZIONE



| ID | PART NO | QTY | DESCRIPTION | ID | PART NO | QTY | DESCRIPTION |
|----|-----------|-----|------------------------------|----|-----------|-----|--------------------|
| 1 | 580.47729 | | DECAL, HANDLE CHANGES | 6 | 580.57768 | | DECAL, CAUTION HOT |
| 2 | 580.48656 | | DECAL, BCS | 7 | 580.57770 | | DECAL, CLUTCH |
| 3 | 580.57688 | | DECAL, DIFFERENTIAL/THROTTLE | 8 | 580.57772 | | DECAL, STOP LEVER |
| 4 | 580.57704 | | DECAL, GEAR SELECTION | | | | |
| 5 | 580.57767 | | DECAL, CAUTION EXPLOSIVE | | | | |