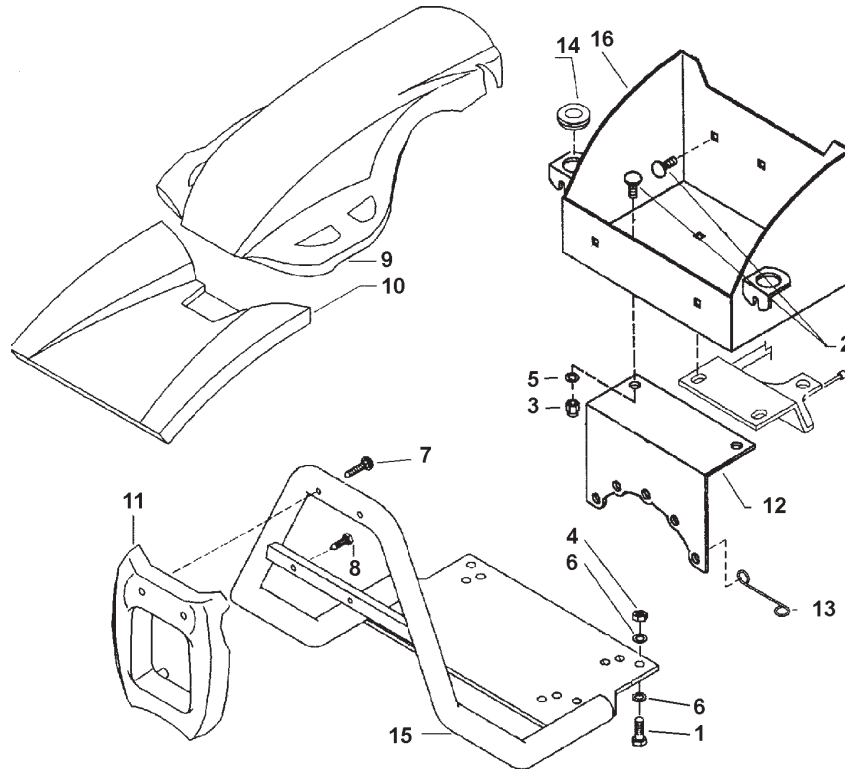




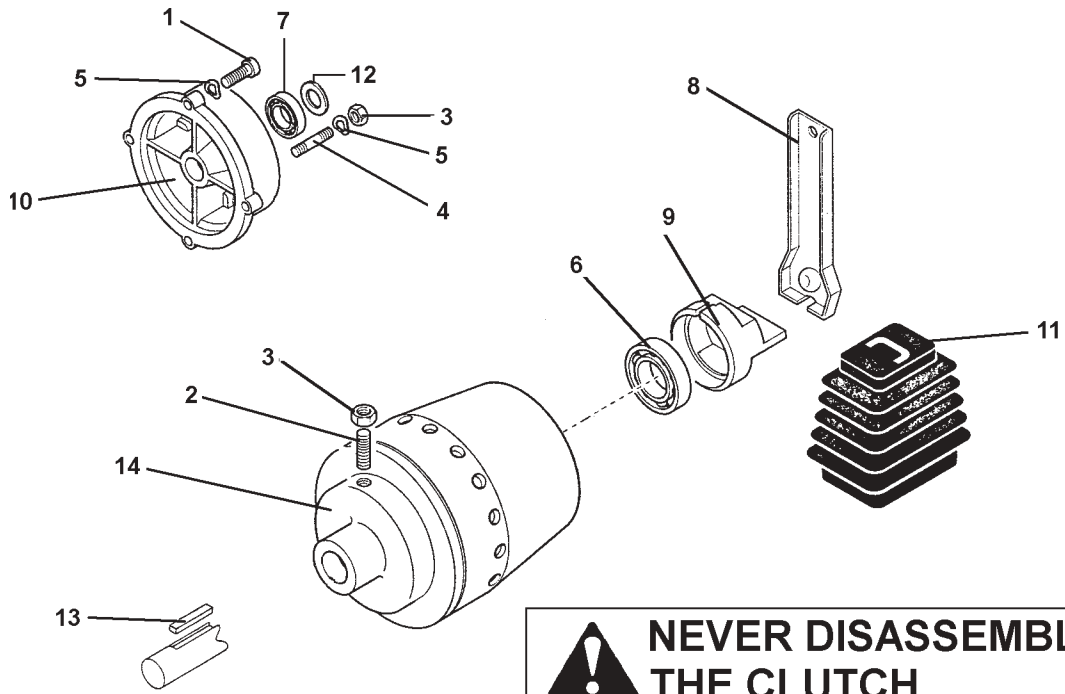
---

A M E R I C A

---

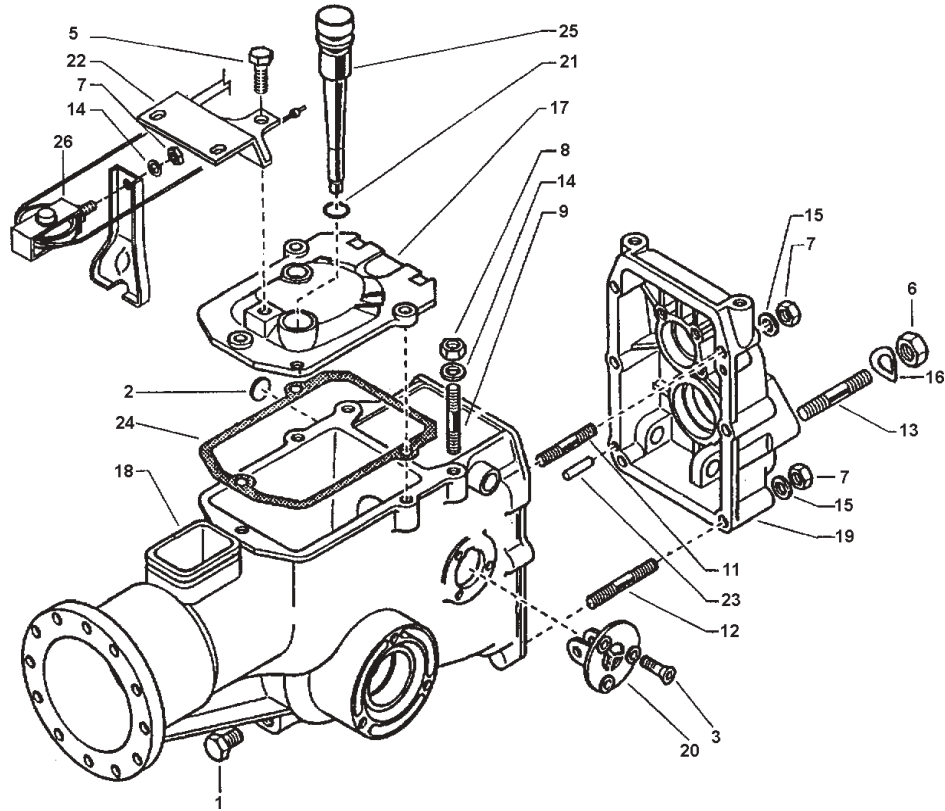


ID	PART NO	QTY	DESCRIPTION	ID	PART NO	QTY	DESCRIPTION
1	311.12154		CAP SCREW, M8X40 UNI 5739-8G	11	552.57622		FRONT BUMPER GUARD
2	311.21558		BOLT M6 X 16	12	561.57393		BATTERY/TOOLBOX SUPPORT
3	312.41060		NUT, LOCK M6	13	580.48035		SUPPORT, GAS CABLE SHEATH
4	312.41080		NUT, LOCK M8	14	580.56991		CAP
5	314.11064		WASHER, FLAT M6 4X12	15	590.56099		BUMPER
6	314.11084		WASHER, FLAT M8 4X17	16	590.57390		TOOLBOX
7	315.10099		SCREW, SELF TAPPING M6.3X38				
8	315.10100		SCREW, SELF TAPPING M6.3X19				
9	552.57620		COVER, HANDLEBAR				
10	552.57621		GUARD, LOWER				



**⚠ NEVER DISASSEMBLE THE CLUTCH**

ID	PART NO	QTY	DESCRIPTION	ID	PART NO	QTY	DESCRIPTION
1	311.00003		SCREW 5/16X7/8"	11	551.57609		BOOT
2	311.00787		SCREW M8X35	12	563.56251		WASHER
3	312.11080		NUT, M8	13	563.56165		KEY
4	313.12088		STUD, M8X40X14X14	14	592.56265		CLUTCH, 6.5HP INTEK
5	314.23084		WASHER WAVE				
6	371.12173		BEARING, M17X40X12				
7	371.12231		BEARING, M30X55X13				
8	509.56262		LEVER, RECOIL START				
9	524.47896		CONE PUSHER				
10	532.47488		FLANGE, 6.5HP INTEK & 5.5HP HONDA				

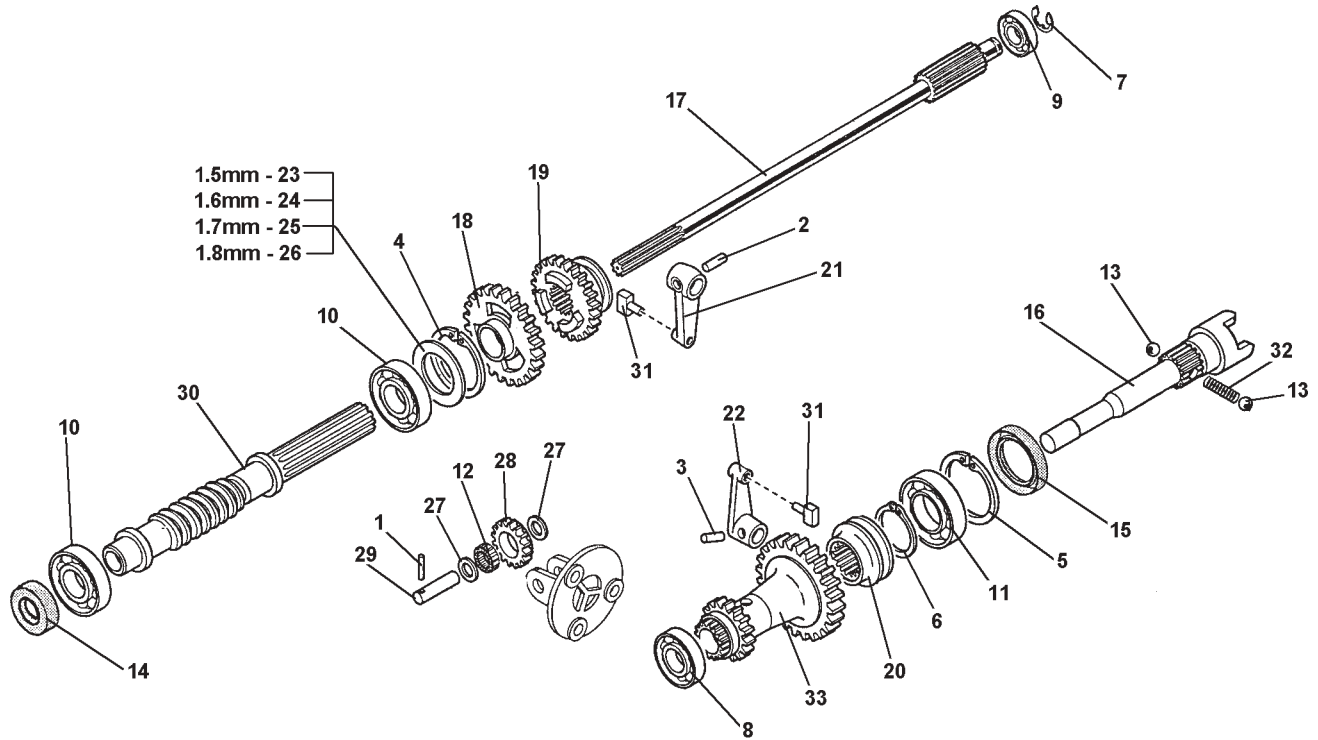


ID	PART NO	QTY	DESCRIPTION	ID	PART NO	QTY	DESCRIPTION
1	300.40001		PLUG	16	314.23130		WASHER, LOCK, M13
2	300.40133		COVER	17	531.43128		GEARBOX COVER
3	311.32562		SCREW, COUNTER SUNK, M6X16	18	531.56325		GEAR BOX CASE
4	311.52103		SCREW M10X25	19	531.56332		REAR COVER
5	311.12210		BOLT	20	531.56342		REVERSER GEAR COVER, 710
6	312.21121		NUT, M12X1.25	21	551.02678		"O" RING
7	312.41080		NUT, SELF LOCKING M8	22	561.57394		PLATE
8	312.41085		NUT	23	580.43053		PARALLEL PIN
9	313.12082		STUD M8X38X14X20	24	580.43117		GASKET, COVER
10	313.12084		STUD M8X58X16X16	25	590.15425		CAP WITH DIP STICK
11	313.12086		STUD M8X56X20X12	26	590.56258		PULLEY ASSEMBLY
12	313.12094		STUD M8X68				
13	313.12124		STUD M12X1.25X12X52				
14	314.21083		SUPER WASHER 8				
15	314.23084		WASHER, LOCK 8.4				

# 712GX5 Transmission

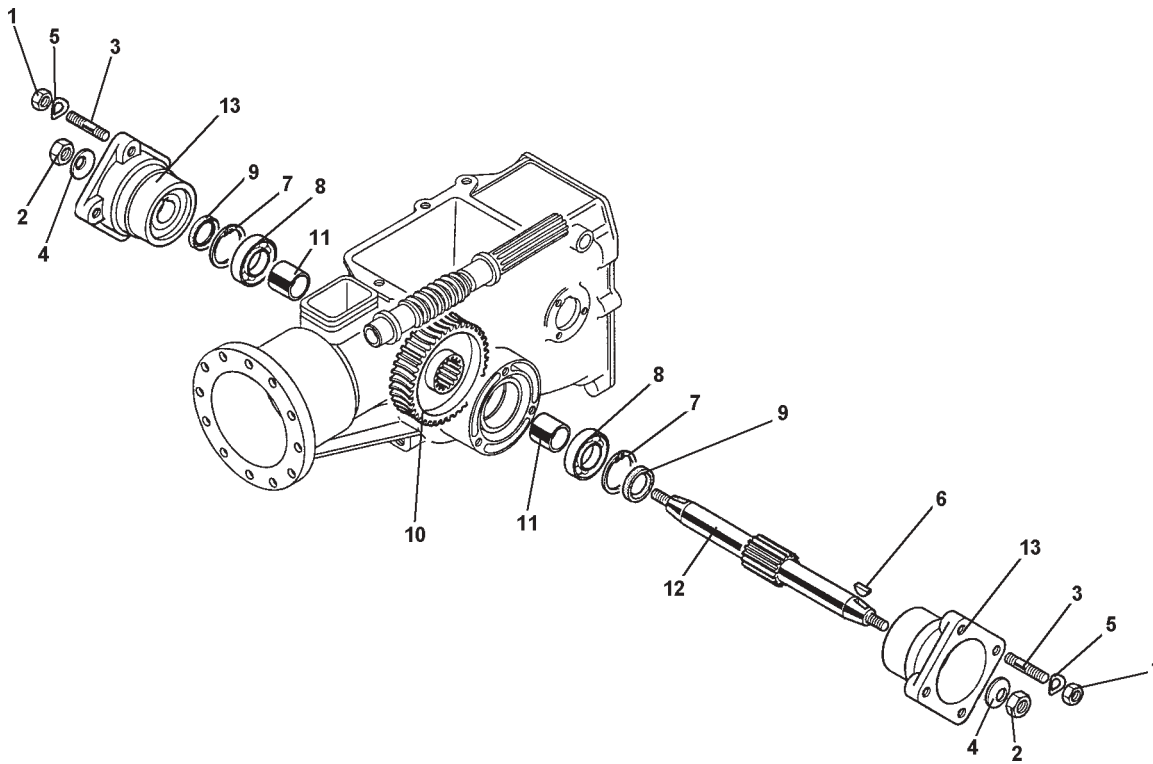
Serial Number Range  
ALL

04.00

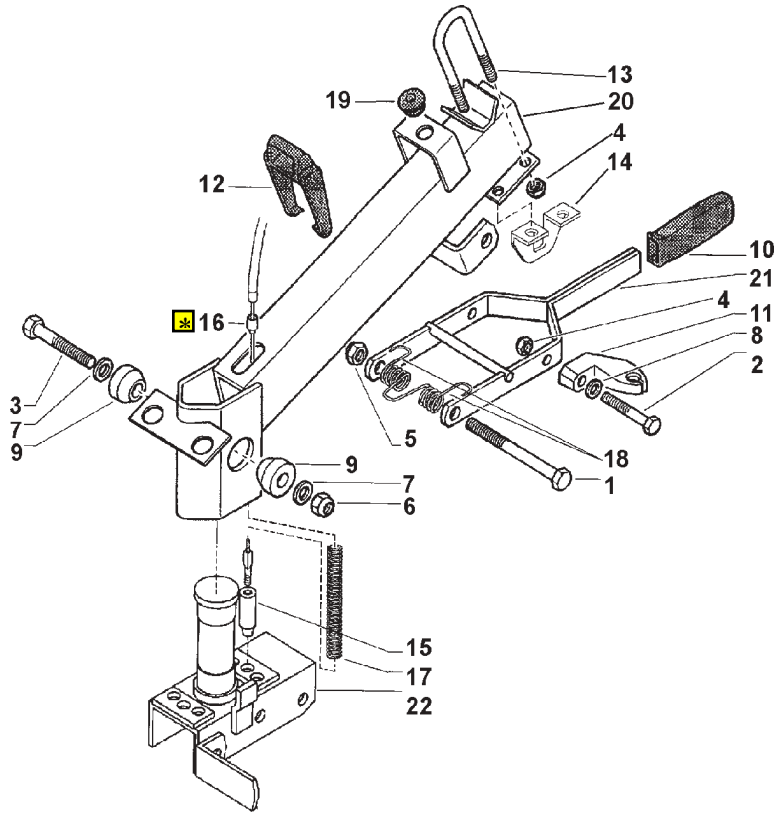


ID	PART NO	QTY	DESCRIPTION	ID	PART NO	QTY	DESCRIPTION
1	342.11025		LOCKING PIN, 2.5X22	21	524.56389		LEVER, SLIDER
2	342.13060		LOCKING PIN, 6X24	22	524.56390		LEVER, PTO ENGAGEMENT
3	342.13061		LOCKING PIN, 6X20 SPIRAL	23	563.56328		SHIM, 1.5MM
4	351.11052		CIRCLIP, INTERNAL	24	563.56329		SHIM, 1.6MM
5	351.11055		CIRCLIP, INTERNAL	25	563.56330		SHIM, 1.7MM
6	351.21031		CIRCLIP, EXTERNAL	26	563.56331		SHIM, 1.8MM
7	352.11120		RETAINING RING	27	563.56348		WASHER
8	371.11151		BEARING, 15X35X11	28	564.56347		REVERSE GEAR
9	371.11152		BEARING, 15X42X13	29	564.56350		PIN, REVERSER GEAR
10	371.11255		BEARING, 25X52X15	30	564.56475		WORM GEAR
11	371.12229		BEARING, 30X55X13	31	580.43086		SHOE
12	373.20120		BEARING, 12X15X10	32	<b>580.56391</b>		<b>SPRING, PTO BALLS</b>
13	379.10832		BALL, 1/4"	33	590.56378		DRIVE GEAR
14	382.11500		OIL SEAL, 15X28X7				
15	382.13800		OIL SEAL, 38X55X7				
16	524.56335		PTO SHAFT				
17	524.56339		MAIN SHAFT				
18	524.56354		FIRST GEAR				
19	524.56356		SLIDER GEAR				
20	524.56362		PTO SLIDER				

**32- FOR EASY INSTALLATION USE  
TOOL # 900.51100**



ID	PART NO	QTY	DESCRIPTION	ID	PART NO	QTY	DESCRIPTION
1	312.11100		NUT, M10	11	561.43059		SPACER
2	312.41120		NUT, SELF LOCKING M12	12	563.43058		WHEEL SHAFT
3	313.12102		STUD, M10X40X22X14	13	590.43063		HUB, WHEEL WITH STUDS
4	314.21130		SUPER WASHER, 12				
5	314.23105		WASHER, LOCK 10.5				
6	343.11060		KEY 6X10				
7	351.11052		CIRCLIP, INTERNAL				
8	371.11250		BEARING 25X52X15				
9	382.12501		OIL SEAL, 25X52X10				
10	541.43090		GEAR				



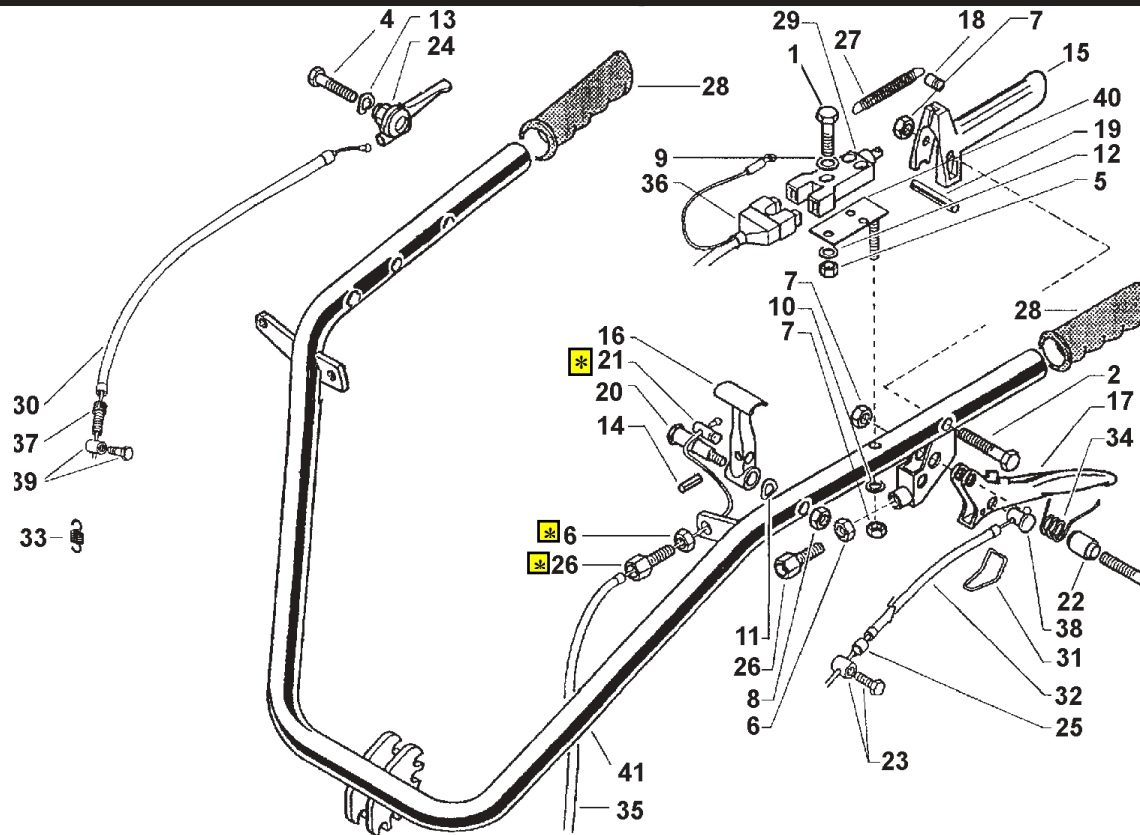
ID	PART NO	QTY	DESCRIPTION	ID	PART NO	QTY	DESCRIPTION
1	311.11229		CAP SCREW M10X110	16	580.42167		SHEATH END
2	311.12153		CAP SCREW M8X35	17	580.56918		SPRING, STEERING COLUMN
3	311.12293		CAPSCREW M12X80	18	580.56942		HANDLEBAR RELEASE SPRING
4	312.41080		LOCK NUT, M8	19	580.56991		SUPPORT CAP
5	312.41100		LOCK NUT, M10	20	590.56912		STEERING COLUMN
6	312.41126		LOCK NUT M12 DEFORMED	21	590.56935		LEVER, HANDLEBAR SELECTION
7	314.21100		SPRING	22	590.56952		SUPPORT
8	314.23084		WASHER LOCK B 8.4				
9	521.56917		WEDGE				
10	551.02714		KNOB				
11	552.43340		SUPPORT, CONTROL ROD				
12	552.49668		CABLE GUIDE				
13	561.56940		U BOLT				
14	561.56948		BRACKET				
15	563.56924		CAP				
				*	For these part #'s please use 580.57284		

# 712GX5

## Handlebars

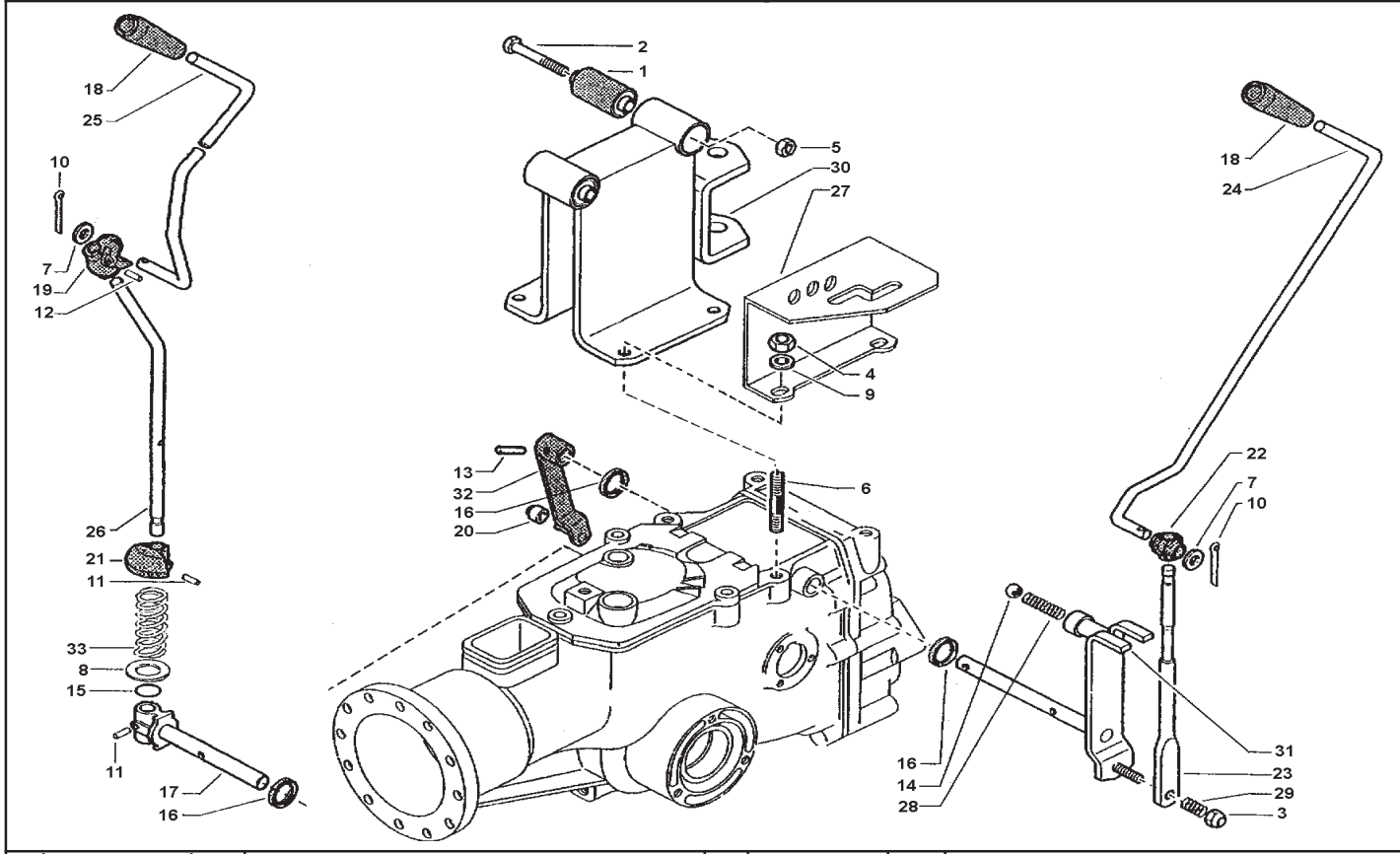
## Serial Number Range ALL

# 07.00

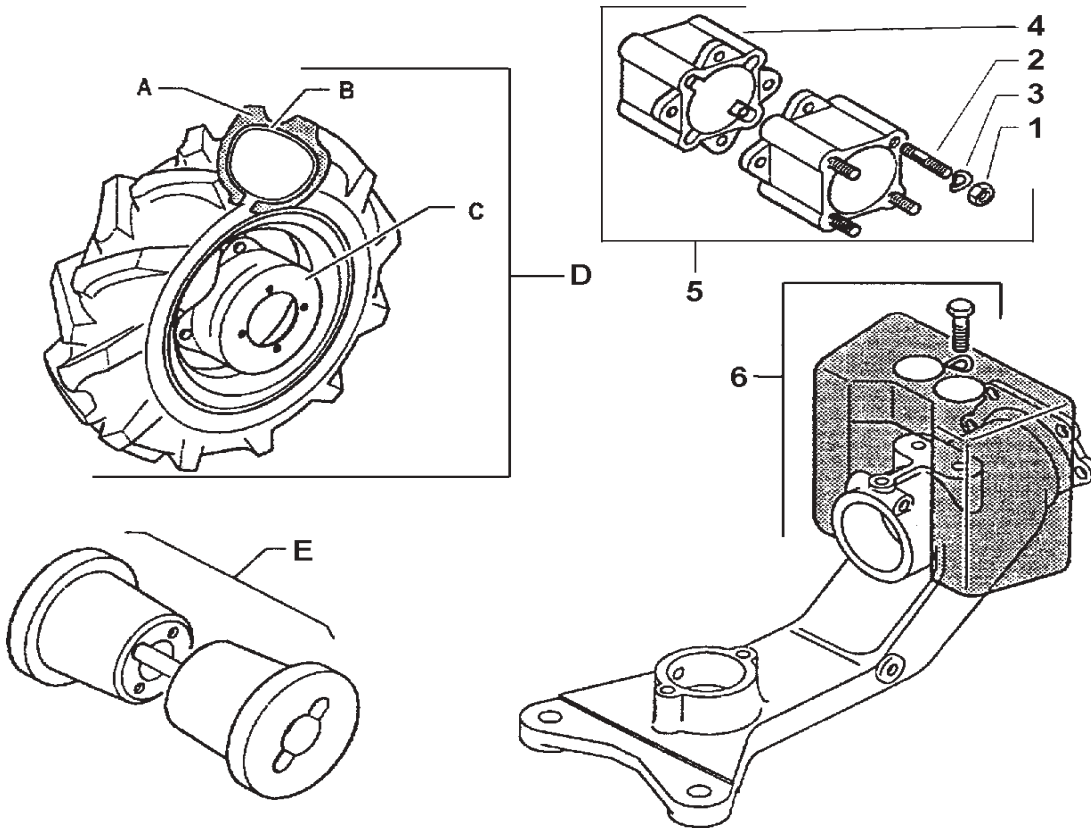


ID	PART NO	QTY	DESCRIPTION	ID	PART NO	QTY	DESCRIPTION
1	311.11086		CAP SCREW, M4 X 25	26	580.42202		SCREW, ADJUSTING M8
2	311.11097		CAP SCREW, M6 X 45	27	580.47712		SPRING
3	311.12089		CAP SCREW, M6 X 25	28	580.48000		GRIP
4	311.12153		CAPSCREW, M8 X 35	29	580.48009		SAFETY INTERLOCK
5	312.11040		NUT, M4	30	580.48012		CABLE ACCELERATOR 73SHX79
6	312.11080		NUT, M8	31	580.51670		STOP WIRE
7	312.41060		LOCK NUT, M6	32	580.53035		CABLE
8	312.41080		LOCK NUT, M8	33	580.56155		SPRING
9	314.11043		FLAT WASHER, M4	34	580.56593		SPRING
10	314.11064		FLAT WASHER, M6	35	580.57284		CABLE & SHEATH, STEERING COLUMN RELEASE
11	314.11084		FLAT WASHER, M8	36	580.57401		WIRING MOTOR STOP
12	314.23043		LOCK WASHER, M4.3	37	581.47704		SCREW, ADJUSTING M6
13	314.23084		LOCK WASHER, M8.4	38	581.50313		BARREL
14	342.13020		PIN, SPLIT M4 X 20 SPIROL	39	581.56156		CLAMP
15	552.48041		LEVER, MOTOR STOP	40	590.47709		INTERLOCK PLATE
16	552.48284		LEVER, DIFFERENTIAL LOCK	41	590.57116	1	HANDLEBAR COMPLETE
17	561.47655		LEVER, CLUTCH				
18	561.47711		LATCH PIN				
19	561.48037		PIN				
20	561.48285		PIN				
21	561.48286		DRILLED PIN				
22	561.50361		LEVER, SPACER				
23	580.02429		CABLE CLAMP				
24	580.02538		ACCELERATOR LEVER				
25	580.42167		SHEATH END				

\* For these part #'s please use 580.57284

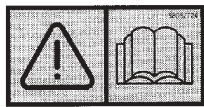
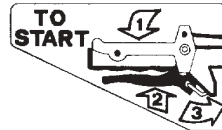
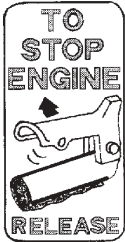
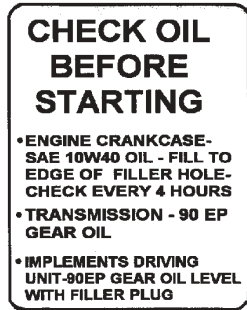
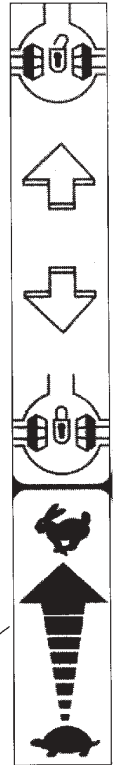
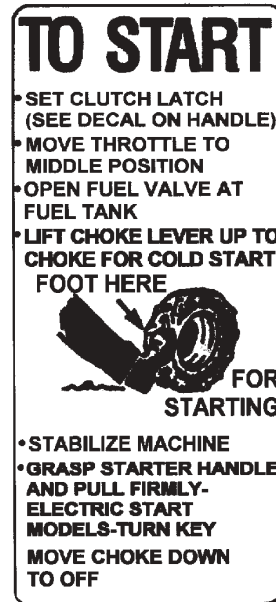
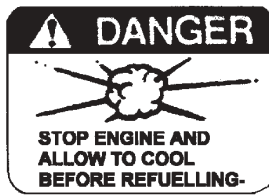


ID	PART NO	QTY	DESCRIPTION	ID	PART NO	QTY	DESCRIPTION
1	300.10142		SILENTBLOCK 10 2X30X45X4	21	552.57321		ARTICULATOR, PTO710-730
2	311.11217		CAP SCREW, M10X75	22	561.42548		BLOCK
3	312.41080		LOCKNUT, M8	23	561.57271		LEVER, GEAR
4	312.41085		LOCKNUT, M8 DEFORMED	24	561.57311		SPEED CONTROL ROD
5	312.41100		LOCKNUT, M10	25	561.57312		PTO CONTROL ROD
6	313.12082		STUD, M8X38X14X20	26	561.57324		PTO SHIFT ARM
7	314.11104		WASHER, FLAT M10 5X18	27	561.57349		GEARBOX SELECTOR 1+1
8	314.14130		WASHER, FLAT M13	28	580.20258		SPRING, GEAR SPEED
9	314.21083		WASHER, SUPER M8	29	580.57232		SPRING
10	341.10028		PIN, COTTER A2X15	30	590.56920		HANDLEBAR SUPPORT
11	342.13020		PIN, SPLIT 4X20 SPIROL	31	590.57228		LEVER, SPEED CONTROL
12	342.13024		PIN, SPLIT SW 4X24 SPIROL	32	590.57325		LEVER, PTO LOCKOUT
13	342.13061		PIN, SPLIT SW 6X20 SPIROL	33	F0831193010		SPRING
14	379.11532		BALL 15/32				
15	381.11191		O-RING 115 11 91X2 62				
16	382.11400		OIL SEAL M14X22X4				
17	523.57250		SHAFT, PTO				
18	551.42076		KNOB				
19	552.48379		ARTICULATION, PTO				
20	552.57313		PIN, PTO LOCKOUT				



ID	PART NO	QTY	DESCRIPTION	ID	PART NO	QTY	DESCRIPTION
1	312.11100		NUT M12	4	NSI		USE ITEM# 922.4385
2	313.12102		STUD M10X40X24X12	5	922.43685	PAIR	WHEEL EXTENSIONS COMPLETE
3	314.23105		WASHER WAVY M10.5	6	922.48923		SICKLE BAR WEIGHT 26LBS
A	391.13502		TIRE 3.50 - 8"	D	922.57775	PAIR	WHEELS COMPLETE 15 X 3.50 - 8"
	391.14008		TIRE 4.00 - 8"		922.43680	PAIR	WHEELS COMPLETE 16 X 4.00 - 8"
	391.14010		TIRE 4.00 - 10"		922.48332	PAIR	WHEELS COMPLETE 18 X 4.00 - 10"
	391.15010		TIRE 5.00 - 10"		922.48334	PAIR	WHEELS COMPLETE 19 X 5.00 - 10"
	391.15012		TIRE 5.00 - 12"		922.44806	PAIR	WHEELS COMPLETE 22 X 6.50 - 12"
	391.16018		TIRE 22 X 6.50 - 12"		922.44809	PAIR	WHEELS COMPLETE 22 X 5.00 - 12"
B	394.13502		TUBE 3.50 - 8"	E	922.43686	PAIR	WHEEL WEIGHTS 48 LBS 3.50-8 & 4.00-8
	394.14008		TUBE 4.00 - 8"		922.48715	PAIR	WHEEL WEIGHTS 66 LBS 4.0-10 & 5.0-10
	394.14010		TUBE 4.00 - 10"		922.48720	PAIR	WHEEL WEIGHTS 150 LBS 5.00-12 & 6.00-12
	394.15010		TUBE 5.00 - 10"				
	394.15012		TUBE 5.00 - 12"				
	394.16018		TUBE 6.50 - 12"				
C	580.43250		RIM 3.50 - 8" & 4.00 - 8"				
	580.48330		RIM 4.00 - 10" & 5.00 - 10"				
	580.44804		RIM 5.00 - 12" & 6.50 - 12"				

**NSI - Not serviced  
individually**



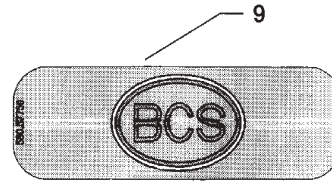
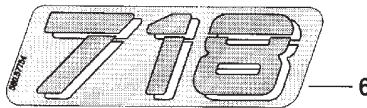
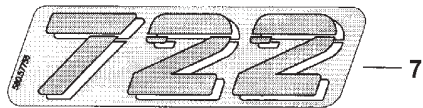
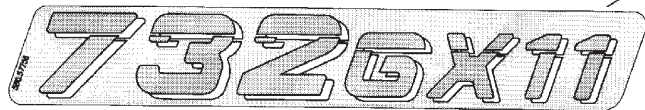
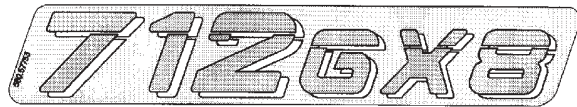
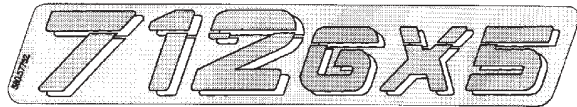
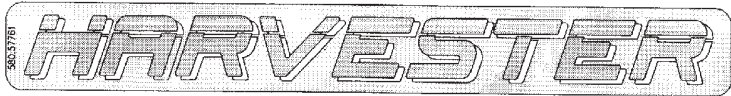
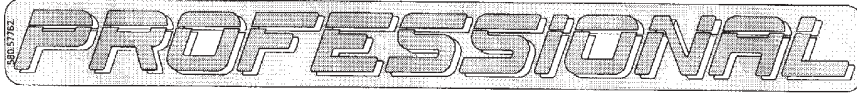
ID	PART NO	QTY	DESCRIPTION	ID	PART NO	QTY	DESCRIPTION
1	580.47950		DECAL, TO START	11	580.57678		DECAL, PTO
2	580.47951		DECAL, ENGINE STOP	12	580.57688		DECAL, DIFFERENTIAL & THROTTLE
3	580.47952		DECAL, CLUTCH	13	580.57724		DECAL, READ OPERATORS MANUAL
4	580.47953		DECAL, THROTTLE				
5	580.47959		DECAL, CHECK OIL				
6	580.47960		DECAL, TO START				
7	580.47961		DECAL, DANGER				
8	580.47962		DECAL, WARNING				
9	580.57676		DECAL, NEUTRAL				
10	580.57677		DECAL, GEAR				

# 712GX5

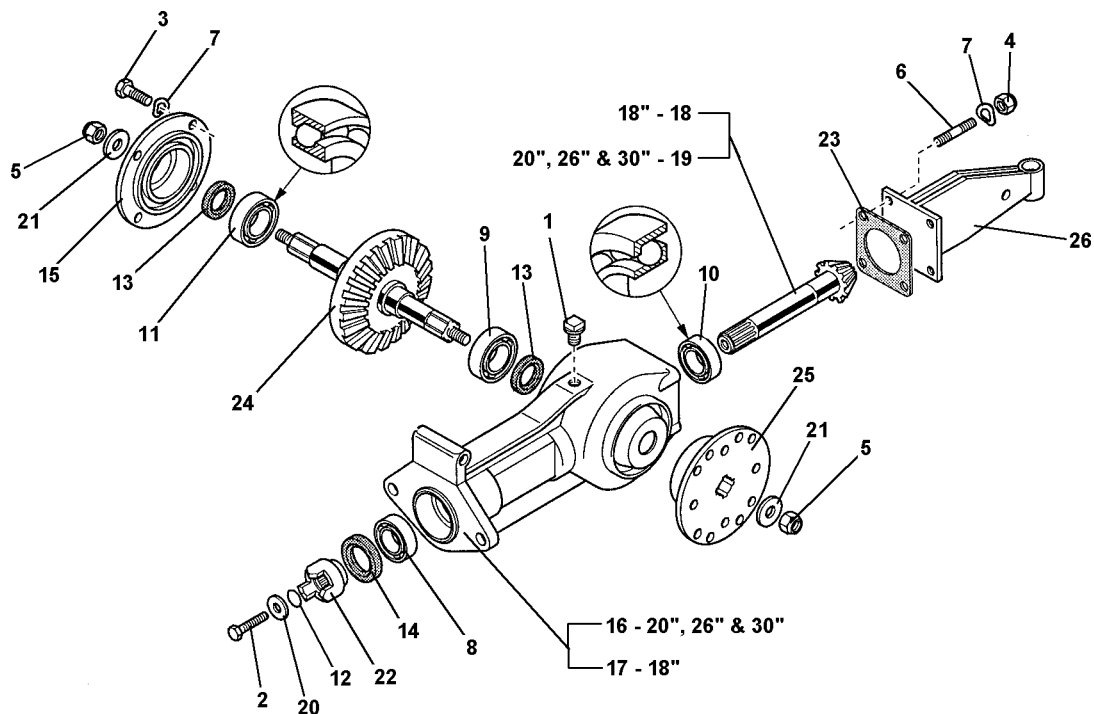
## Decals, Logos & Unit Identification

## Serial Number Range ALL

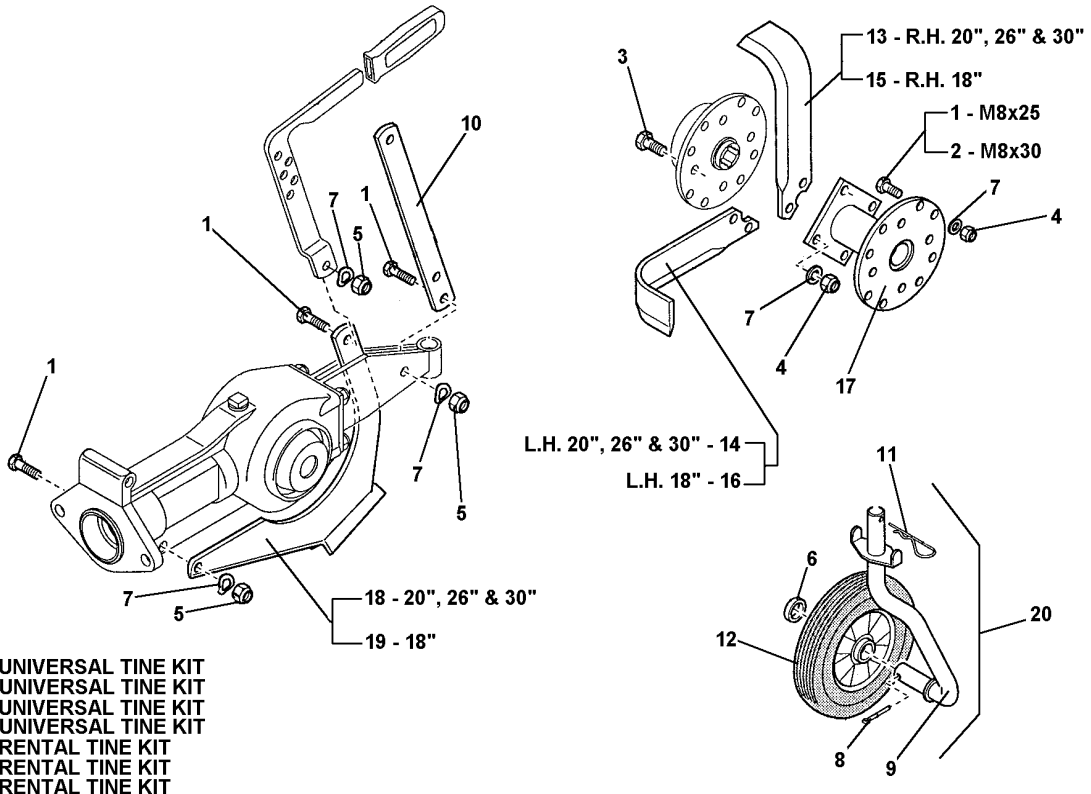
# 11.00



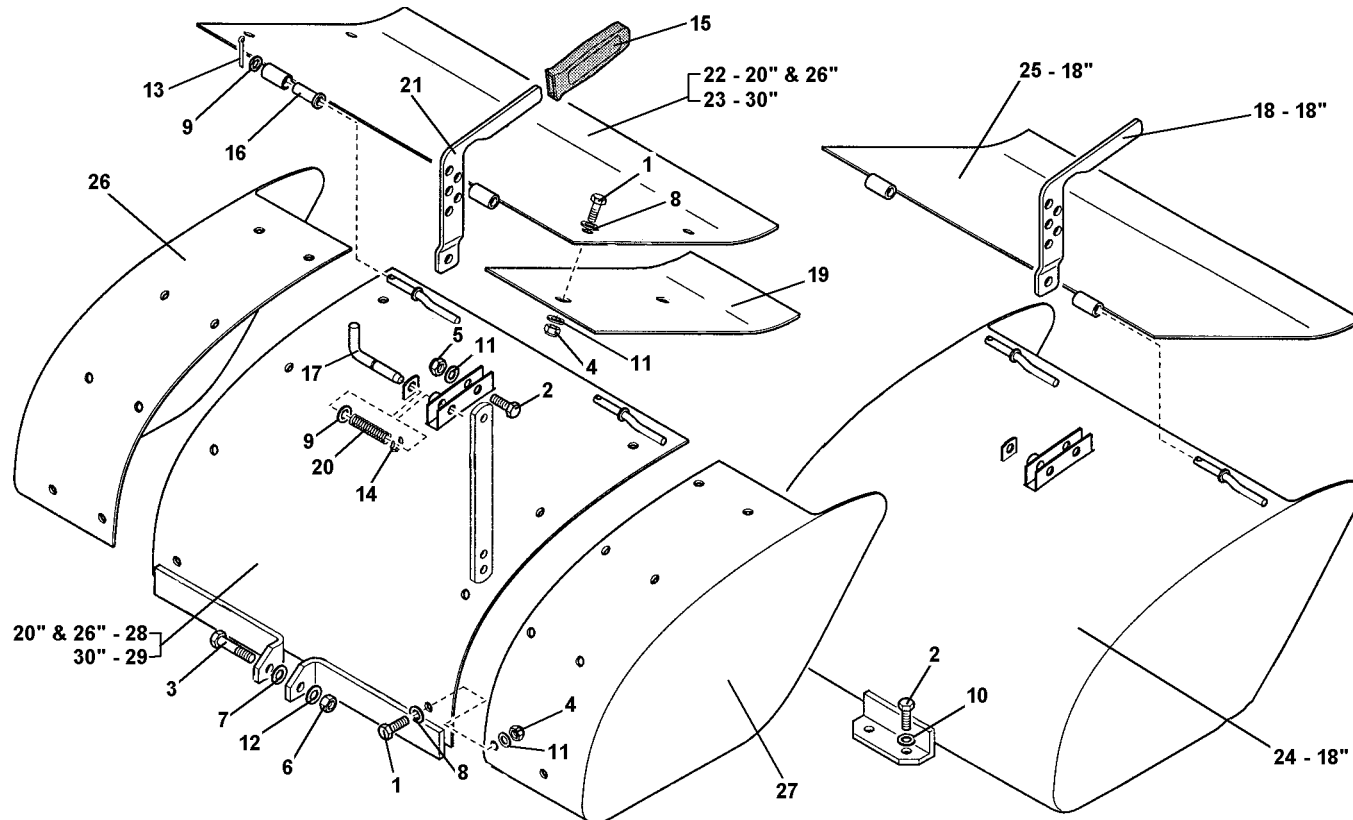
ID	PART NO	QTY	DESCRIPTION	ID	PART NO	QTY	DESCRIPTION
1	530.48656		DECAL, BCS LOGO	11	580.57762		DECAL, PROFESSIONAL
2	580.57681		DECAL, 710				
3	580.57692		DECAL, GARDENER				
4	580.57752		DECAL, 712GX5				
5	580.57753		DECAL, 712GX8				
6	580.57754		DECAL, 718				
7	580.57755		DECAL, 722				
8	580.57756		DECAL, 732GX11				
9	580.57759		DECAL, BCS LOGO				
10	580.57761		DECAL, HARVESTER				



ID	PARTNO	DESCRIPTION	DENOMINACION	NOTES
1	300.40001	PLUG	TAPON	
2	311.12093	SCREW, M6X20	TORNILLO M6X20	
3	311.12151	SCREW, M8X25	TORNILLO M8X25	
4	312.41085	NUT, SELF LOCKING, M8	TUERCA AUTOBLOC. M8	
5	312.41141	NUT, SELF LOCKING, M14	TUERCA AUTOBLOC. M14	
6	313.12078	STUD, M8X32X14X14	PRISIONERO M8X32X14X14	
7	314.21083	WASHER, LOCKING, M8.4	ARANDELA DE RES. M8.4	
8	371.11200	BEARING, M20X42X12	COJINETE M20X42X12	
9	371.11255	BEARING, M25X52X15	COJINETE M25X52X15	
10	371.41201	BEARING, M20X47X14	COJINETE M20X47X14	
11	371.41252	BEARING, M25X52X15	COJINETE M25X52X15	
12	381.11554	"O" RING	CHAPA RET. ACEITE	
13	382.12503	OIL SEAL	CHAPA RET. ACEITE	
14	382.12842	OIL SEAL, 28X42X7	CHAPA RET. ACEITE 28X42X7	
15	511.48428	COUPLING	BRIDA	
16	512.48405	GEAR BOX HOUSING	CUERPO CENTRAL FRESADORA	
17	512.59225	GEAR CASE HOUSING, 18" TILLER	CUERPO CENTRAL FRESADORA, 18"	
18	524.59226	PINION SHAFT, 18" TILLER	PINION CONICO, 18"	
19	524.59230	PINION SHAFT, 20" - 30" TILLER	PINION CONICO, 20" - 30"	
20	561.42291	WASHER	ARANDELA	
21	561.48438	WASHER	ARANDELA	
22	564.58941	PTO COUPLER	ACOPLAMIENTO FRESADORA	
23	580.49859	BACK COVER GASKET	GUARNICION FRESADORA	
24	590.48408	TINE SHAFT AND GEAR	ARBOL CON CORONA	
25	590.48435	BLADE HOLDER FLANGE	BRIDA PORTA-CUCHILLOS	
26	590.49853	REAR COVER FOR TILLER	TAPA POSTERIOR FRESADORA	



ID	PART NO	DESCRIPTION	DENOMINACION	NOTES
1	311.12151	SCREW, M8X25	TORNILLO M8X25	
2	311.12152	SCREW, M8X30	TORNILLO M8X30	
3	311.12153	SCREW, M8X35	TORNILLO M8X35	
4	312.41080	NUT, SELF LOCKING, M8	TUERCA AUTOBLOC. M8	
5	312.41085	NUT, SELF LOCKING, M8	TUERCA AUTOBLOC. M8	
6	314.00181	WASHER	ARANDELA	
7	314.23084	WASHER, LOCK, M8.4	ARANDELA DE RES. M8.4	
8	341.10042	COTTER PIN	PASADOR A	
9	561.42467	WHEEL SUPPORT PIN	PERNO SOPORTE RUEDITA	
10	561.59363	HOOD ROD	TIRANTE CAPO FRESADORA	
11	580.02052	PIN	CLAVITA	
12	580.42468	RUBBER WHEEL	RUEDA	
13	580.59275	TINE, R.H., 20" - 30" TILLER	CUCHILLA DERECHA, 20" - 30"	
14	580.59276	TINE, L.H., 20" - 30" TILLER	CUCHILLA IZQUIERDA 20" - 30"	
15	580.59277	TINE, R.H., 18" TILLER	CUCHILLA DERECHA, 18"	
16	580.59278	TINE, L.H., 18" TILLER	CUCHILLA IZQUIERDA, 18"	
17	590.48422	SPACER KNIVES	SEPARADOR	
18	590.49850	CERNTAL KNIFE	CUCHILLA CENTRAL	
19	590.59231	CENTRAL KNIFE	CUCHILLA CENTRAL	
20	922.42465	TRANSPORT WHEEL ASSEMBLY	RUEDA ENSAMBLAJE, TRANSPORTAR	
21	T18U	18" UNIVERSAL TINE KIT	18" COMPLETO UNIVERSAL DIENTE	
22	T20U	20" UNIVERSAL TINE KIT	20" COMPLETO UNIVERSAL DIENTE	
23	T26U	26" UNIVERSAL TINE KIT	26" COMPLETO UNIVERSAL DIENTE	
24	T30U	30" UNIVERSAL TINE KIT	30" COMPLETO UNIVERSAL DIENTE	
25	T20R	20" RENTAL TINE KIT	20" COMP. PROPIEDAD ALQUILADA DIENTE	
26	T26R	26" RENTAL TINE KIT	26" COMP. PROPIEDAD ALQUILADA DIENTE	
27	T30R	30" RENTAL TINE KIT	30" COMP. PROPIEDAD ALQUILADA DIENTE	



ID	PARTNO	DESCRIPTION	DENOMINACION	NOTES
1	311.11151	SCREW, M8X16	TORNILLO M8X16	
2	311.12151	SCREW, M8X25	TORNILLO M8X25	
3	311.12294	SCREW, M12X85	TORNILLO M12X85	
4	312.11080	NUT, M8	TUERCA M8	
5	312.41085	NUT, SELF LOCKING, M8	TUERCA AUTOBLOC. M8	
6	312.41121	NUT, M12	TUERCA M12	
7	314.10131	FLAT WASHER	ARANDELA PLANA	
8	314.11084	WASHER, FLAT, M8.4	ARANDELA PLANA M8.4	
9	314.11104	WASHER	ARANDELA	
10	314.21083	WASHER, M8.4	ARANDELA M8.4	
11	314.23084	WASHER, LOCK, M8.4	ARANDELA DE RES. M8.4	
12	314.23130	WASHER, LOCK, M13	ARANDELA DE RES. M13	
13	341.10028	COTTER PIN	PASADOR	
14	352.11080	SNAP RING	SEEGER	
15	551.02714	KNOB	MANILLA	
16	551.42109	BUSHING	CASQUILLO	
17	561.52053	ADJUSTMENT PIN	CLAVITA DE REGULACION	
18	561.59372	KNIVE ROD	VARILLA CUCHILLA	
19	561.59383	SIDE FLAP	VOLQUETE LATERAL	
20	580.52050	SPRING	MUELLE	
21	590.49863	DEPTH ADJUSTMENT LEVER	VARILLA CUCHILLA	
22	590.59356	CENTER FLAP, 20" & 26" TILLER	VOLQUETE, 20" & 26"	
23	590.59360	CENTER FLAP 30" TILLER	VOLQUETE, 30"	
24	590.59365	TILLER HOOD, 18" TILLER	CUERPO CENTRAL COFRE, 18"	
25	590.59370	CENTER FLAP, 18" TILLER	VOLQUETE, 18"	
26	590.59379	RIGHT SIDE FENDER, 20" -30" TILLER	FLANCO DERECHO	
27	590.59380	LEFT SIDE FENDER, 20" - 30" TILLER	FLANCO IZQUIERDO	
28	590.59381	TILLER HOOD, 20" & 26" TILLER	CUERPO CENTRAL COFRE, 20" & 26"	
29	590.59382	CENTER HOOD 30" TILLER	CUERPO CENTRAL COFRE, 20" & 26"	