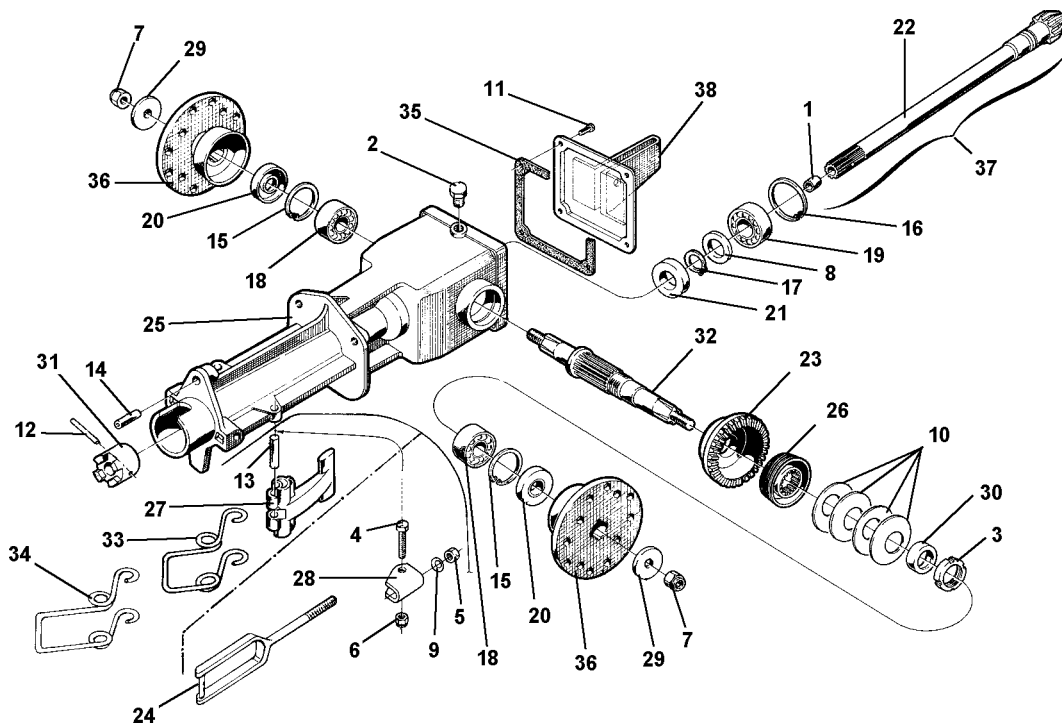
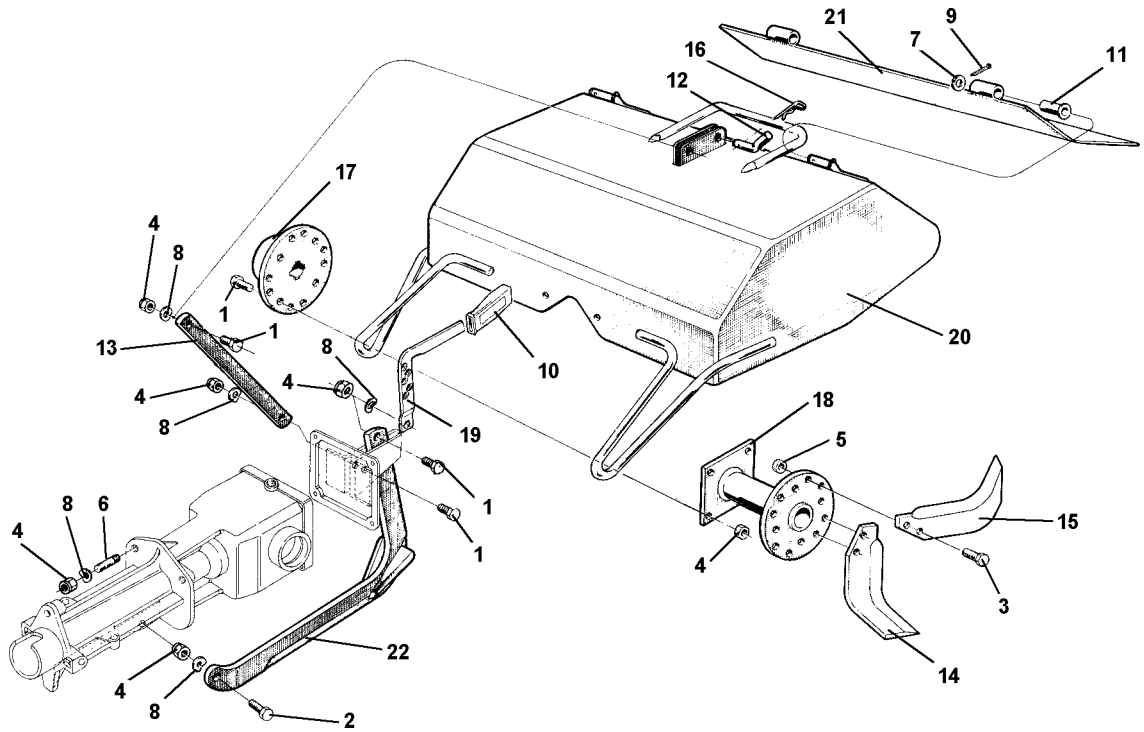




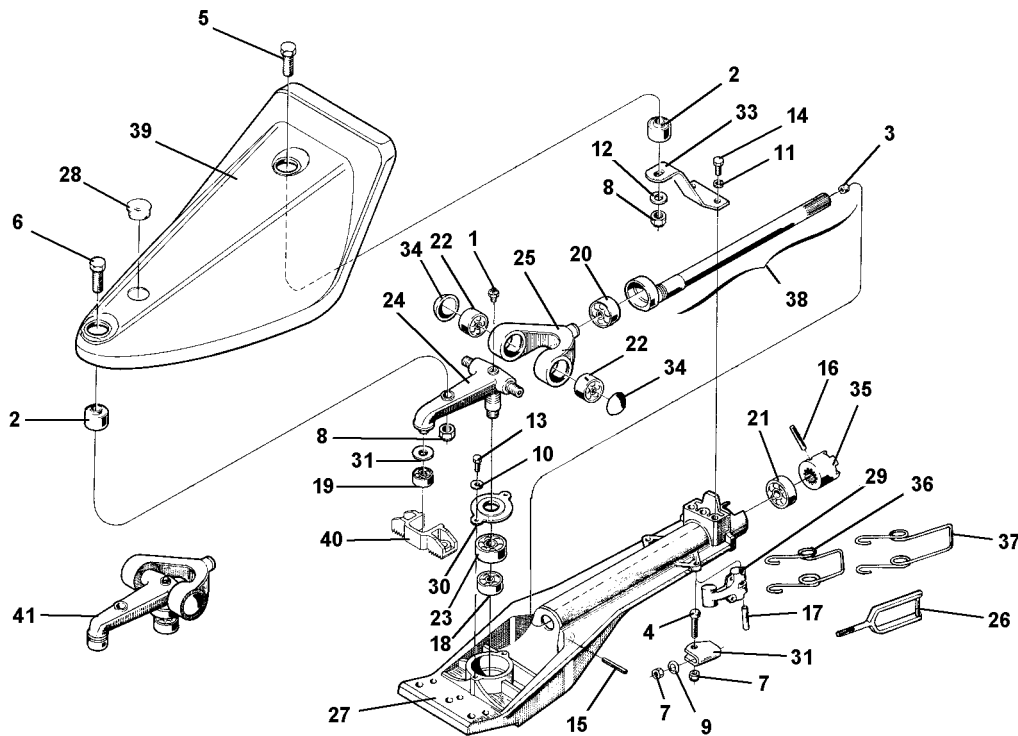
A M E R I C A



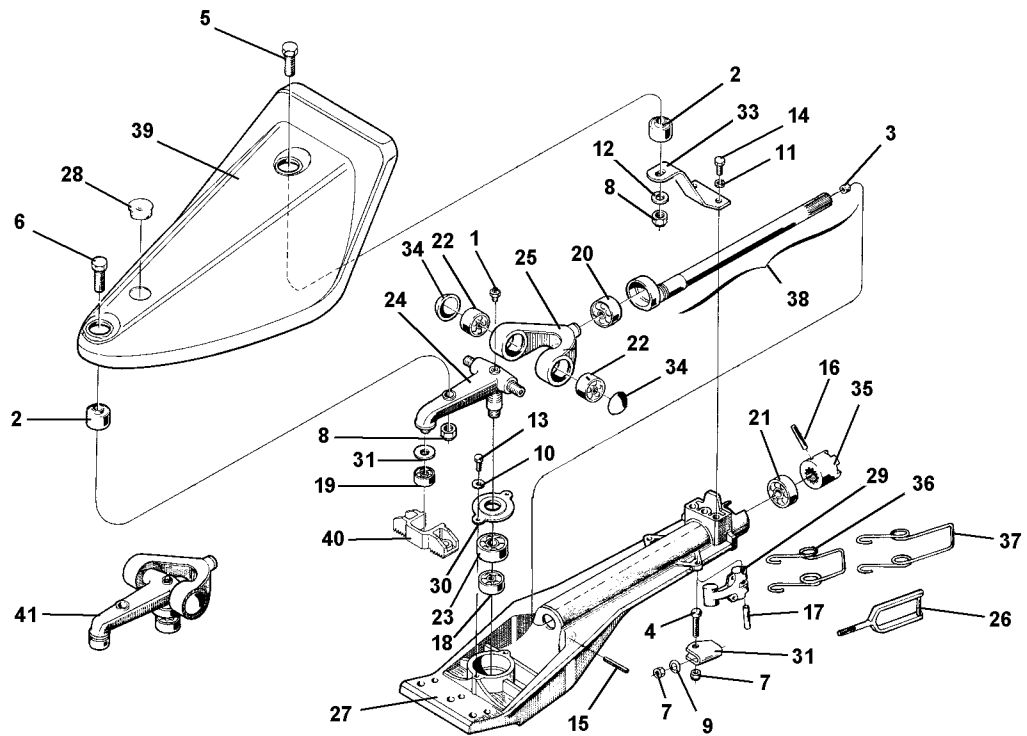
ID	PARTNO	DESCRIPTION	DENOMINACION	NOTES
1	300.30010	BUSHING	CASQUILLO	
2	300.40001	PLUG 1/4 GAS	TAPON 1/4 GAS	
3	300.90250	NUT, RING M25 X 1.5 SKF KM5	CASQUILLO 25 X 1.5 SKF KM5	
4	311.12152	SCREW TE M8 X 30	TORNILLO TE M8 X 30	
5	312.11080	NUT M8	TUERCA M8	
6	312.41080	NUT, SELF LOCKING M8	TUERCA AUTOBLOC. M8	
7	312.41120	NUT, SELF LOCKING M12	TUERCA AUTOBLOC. M12	
8	314.15250	WASHER FLAT 25	ARANDELA PLANA 25	
9	314.21083	SUPER WASHER 8 DIN 6796	SUPER ARANDELA 8 DIN 6796	
10	314.21632	SPRING	MUELLE	
11	315.10060	SCREW M6 X 12	TORNILLO M6 X 12	
12	342.11064	PIN, LOCKING 6 X 40	ESPINA DE RES. 6 X 40	
13	342.13084	SPIRAL PIN 8 X 40	ESPINA ESPIRAL 8 X 40	
14	342.13120	LOCKING PIN 12 X 26	ESPINA ELASTICA 12 X 26	
15	351.11047	CIRCLIP, INTERN. D 47	SEEGER INT. D 47	
16	351.11052	CIRCLIP, INTERN. D 52	SEEGER INT. D 52	
17	351.21025	CIRCLIP, EXTERN. D 25 DIN 471	SEEGER EXT. D 25 DIN 471	
18	371.11201	BEARING 20 X 47 X 14 6204	BARRA 20 X 47 X 14 6204	
19	371.11255	BEARING 25 X 52 X 15 6205	COJINETE 25 X 52 X 15 6205	
20	382.02000	OIL SEAL 20 X 47 X 7	CHAPA RET. ACEITE 20 X 47 X 7	
21	382.12004	OIL SEAL 20 X 47 X 7	CHAPA RET. ACEITE 20 X 47 X 7	
22	524.51114	ROTARY HOE PINION	PINON FRESADORA	
23	524.51115	CAP	CORONA	
24	525.51053	LONG HOOK	GANCHO	24 - RIGID HOOK WAS USED ON SOME EARLIER UNITS. SEE SERVICE BULLETIN #30015
25	531.51112	ROTARY HOE ASSEMBLY	CUERPO FRESADORA	
26	541.51118	CONE CLUTCH	ACOPLAMIENTO CONICO	
27	552.50638	LEVER	PALANCA	
28	561.51055	IMPLEMENT HOOK COUPLING	ATTAQUE GANCHO APEROS	
29	563.48417	WASHER WITH STEP	ARANDELA CON PESTANA	
30	563.51119	SPACER	SEPARADOR	
31	564.50605	BAR COUPLING	ACOPLAMIENTO BARRA	
32	564.51116	ROTARY HOE SHAFT	ARBOL FRESADORA	
33	580.50639	HOOK 4"	GANCHO	33 - EARLIER UNITS USED THIS SHORT SPRING HOOK. OVER ALL LENGTH 4 3/16".
34	580.50652	LONG SPRING HOOK 5"	GANCHO A MUELLE LARGO	
35	580.50805	GASKET	GUARNICION	34 - LATER UNITS USED THIS LONG SPRING HOOK. OVER ALL LENGTH 4 15/16".



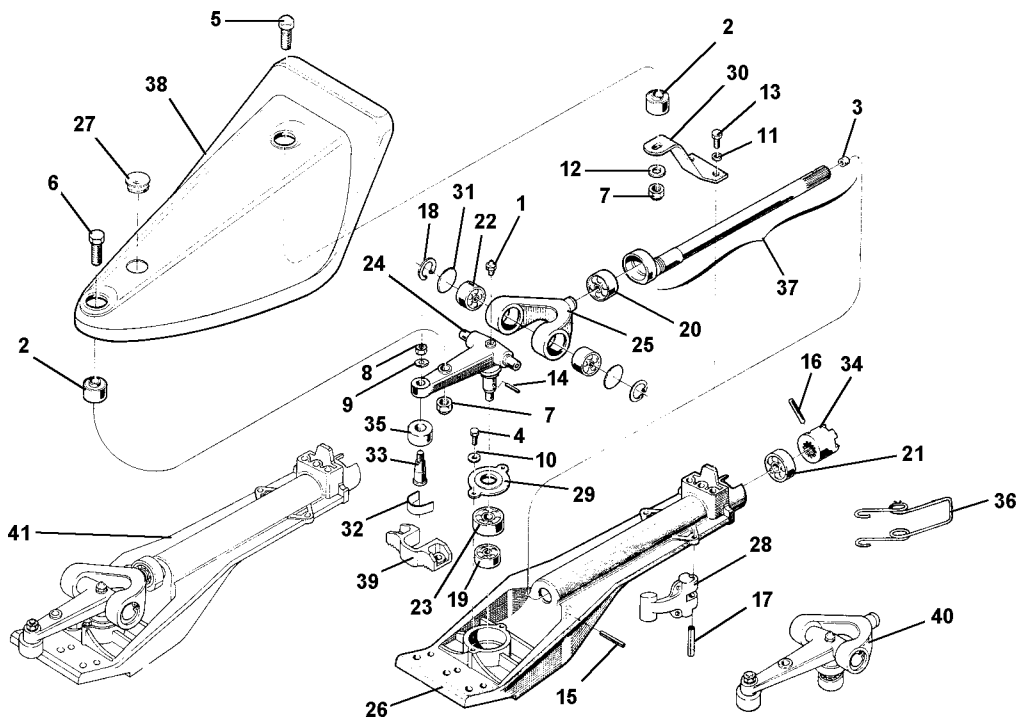
ID	PARTNO	DESCRIPTION	DENOMINACION	NOTES
1	311.12151	SCREW M8 X 25	TORNILLO M8 X 25	
2	311.12152	SCREW TE M8 X 30	TORNILLO TE M8 X 30	
3	311.12219	SCREW TE M10 X 25 UNI 5739-8G	TORNILLO TE M10 X 25 UNI 5739-8G	
4	312.41080	NUT, SELF LOCKING M8	TUERCA AUTOBLOC. M8	
5	312.41100	NUT, SELF LOCKING M10	TUERCA AUTOBLOC. M10	
6	313.12078	STUD M8 X 32 X 14 X 14	PRISIONERO M8 X 32 X 14 X 14	
7	314.11104	WASHER P10.5 X 18	ARANDELA P10.5 X 18	
8	314.23084	WASHER, LOCK 8.4	ARANDELA DE RES. 8.4	
9	341.10030	PIN, COTTER A 3 X 20 UNI 1336	PASADOR A 3 X 20 UNI 1336	
10	551.02714	KNOB	MANILLAR	
11	551.42109	BUSH	CASQUILLO	
12	561.48625	ADJUSTMENT PIN	CLAVIJA DE REGULACION	
13	561.51107	ROD	VARILLA	
14	580.48425	KNIFE WIDE LEFT	PREMISTRISIA	
15	580.48426	KNIFE WIDE RIGHT	PREMISTRISIA	
16	580.50333	SHEATH END	CAPERUZA	
17	590.48419	KNIFE HOLDER FLANGE	BRIDA PORTA CUCHILLOS	
18	590.48422	SPACER KNIVES	SEPARADOR	
19	590.49863	KNIFE ROD	VARILLA CUCHILLA	19 - ON EARLIER UNITS THE DEPTH BAR WAS LONGER AND ONE PIECE. THIS HAS BEEN REPLACED BY ITEMS 19, 22 & 10.
20	590.51100	ROTARY HOE ASSEMBLY	CUERPO FRESADORA	
21	590.51140	ROTARY HOE FLAP	VOLQUETE FRESADORA	
22	590.51150	CENTRAL KNIFE	CUCHILLA CENTRAL	22 - ON EARLIER UNITS THE DEPTH BAR WAS LONGER AND ONE PIECE. THIS HAS BEEN REPLACED BY ITEMS 19, 22 & 10.
				20 - 9" & 14" HOODS USED TO BE AVAILABLE. THESE PARTS ARE NO LONGER AVAILABLE.



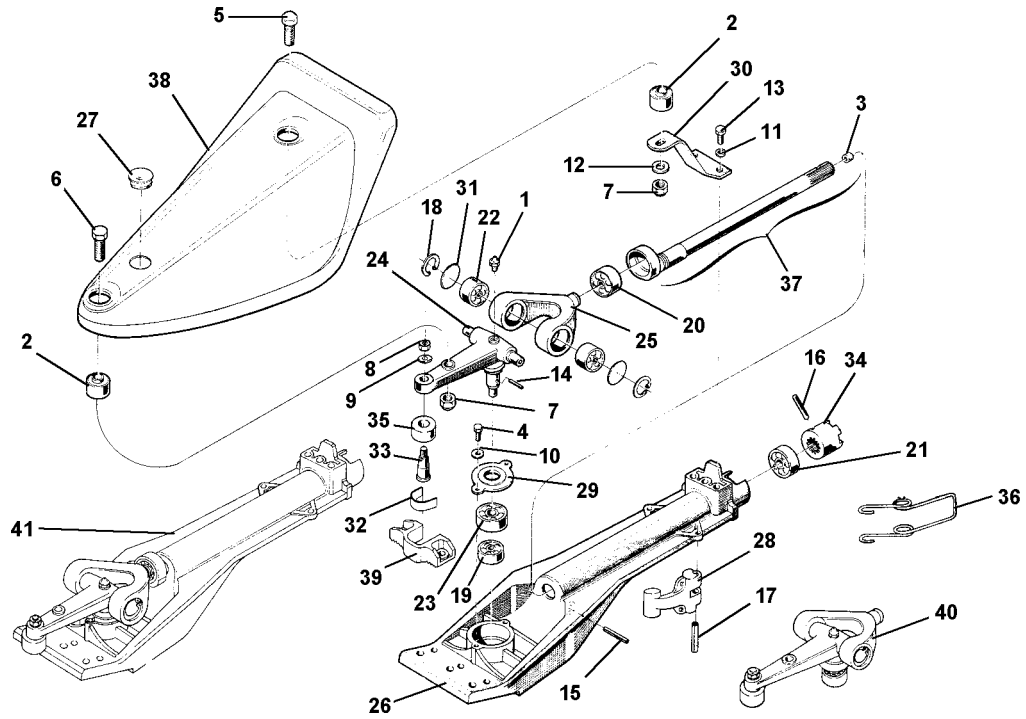
ID	PART NO	DESCRIPTION	DENOMINACION	NOTES
1	300.00001	LUBRICATOR M10	ENGRASADOR M10	1 - EARLIER UNITS DID NOT USE GREASE ZIRT.
2	300.10102	SILENTBLOC	SILENTBLOC	
3	300.30010	BUSHING	CASQUILLO	
4	311.12152	SCREW TE M8 X 30	TORNILLO TE M8 X 30	
5	311.12214	SCREW M10 X 45	TORNILLO M10 X 45	
6	311.12215	SCREW M10 X 60	TORNILLO M10 X 60	
7	312.41080	NUT, SELF LOCKING M8	TUERCA AUTOBLOC. M8	
8	312.41100	NUT, SELF LOCKING M10	TUERCA AUTOBLOC. M10	
9	314.21083	SUPER WASHER 8 DIN 6796	SUPER ARANDELA 8 DIN 6796	
10	314.22064	WASHER, LOCK 6.4	ARANDELA DE RES. 6.4	
11	314.23084	WASHER, LOCK 8.4	ARANDELA DE RES. 8.4	
12	314.23105	WASHER, LOCK 10.5	ARANDELA DE RES. 10.5	
13	315.10060	SCREW M6 X 12	TORNILLO M6 X 12	
14	315.10082	SCREW M8 X 15	TORNILLO M8 X 15	
15	342.11055	PIN, LOCKING 5 X 40	ESPINA DE RES. 5 X 40	
16	342.11064	PIN, LOCKING 6 X 40	ESPINA DE RES. 6 X 40	22 - WHEN GREASE ZIRT (ITEM #1) IS USED ON YOKE USE BEARING NUMBER 371.13151 WHEN GREASE ZIRT (ITEM #1) IS NOT USED ON YOKE USE BEARING NUMBER 371.12150 (EARLIER UNITS).
17	342.13084	SPIRAL PIN 8 X 40	ESPINA ESPIRAL 8 X 40	
18	371.11120	BEARING 12 X 37 X 12 6301	COJINETE 12 X 37 X 12 6301	
19	371.12101	BEARING 62200-2RS-10 X 30 X 14	COJINETE 62200-2RS-10 X 30 X 14	
20	371.12171	BEARING SKF 17 X 40 X 12 6203 ST	COJINETE SKF 17 X 40 X 12 6203 ST	
21	371.12203	BEARING 20 X 42 X 12 6004 2RS	COJINETE 20 X 42 X 12 6004 2RS	
22	371.12150	BEARING 15 X 35 X 11	COJINETE 15 X 35 X 11	
22	371.13151	BEARING 6202 Z 15 X 35 X 11	COJINETE 6202 Z 15 X 35 X 11	
23	371.13200	BEARING 6204 Z 20 X 47 X 14	COJINETE 6204 Z 20 X 47 X 14	
24	525.50677	BLADE CONTROL CRANK	MANIVELA MANDA CUCHILLO	
25	525.50678	FORK	HORQUILLA	
26	525.51053	LONG HOOK	GANCHO	26 - RIGID HOOK WAS USED ON SOME EARLIER UNITS. SEE SERVICE BULLETIN #30015
27	532.50658	SUPPORT	SOPORTE	
28	551.43593	PLUG FOR D 26 HOLE	TAPON ORIFICIO D 26	27 - THE ACCESS PLUG WAS NOT USED ON SOME EARLIER UNITS.
29	552.50638	LEVER	PALANCA	
30	561.50609	BEARING COVER	TAPA COJINETE	
31	561.51055	IMPLEMENT HOOK COUPLING	ATTAQUE GANCHO APEROS	
32	563.43518	PROTECTION WASHER	ANILLO DE PROTECCION	
33	563.50633	ELASTIC CONNECTION	FIJACION ELASTICA	
34	563.50681	BOTTOM PLUG	TAPON	



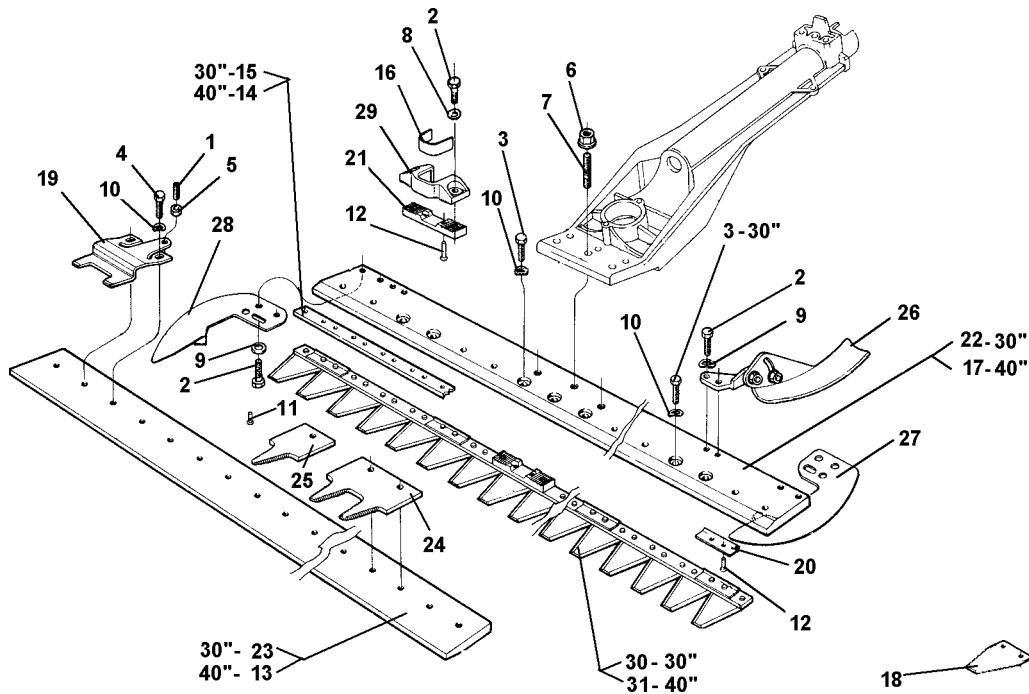
ID	PART NO	DESCRIPTION	DENOMINACION	NOTES
35	564.50605	BAR COUPLING	ACOPLAMIENTO BARRA	35 - EARLIER UNITS USED THIS SHORT SPRING HOOK. OVER ALL LENGTH 4 3/16". 36 - LATER UNITS USED THIS LONG SPRING HOOK. OVER ALL LENGTH 4 15/16".
36	580.50639	HOOK	GANCHO	
37	580.50652	LONG SPRING HOOK	GANCHO A MUELLE LARGO	
38	590.50601	SHAFT WITH BUSH	ARBOL CON CASQUILLO	
39	590.50640	OSCILLATING PROTECTION	PROTECCION	
40	590.50674	BLADE COUPLING	ACOPLAMIENTO CUCHILLA	
41	592.50676	CRANK WITH COVER	MANIVELA CON TAPA	



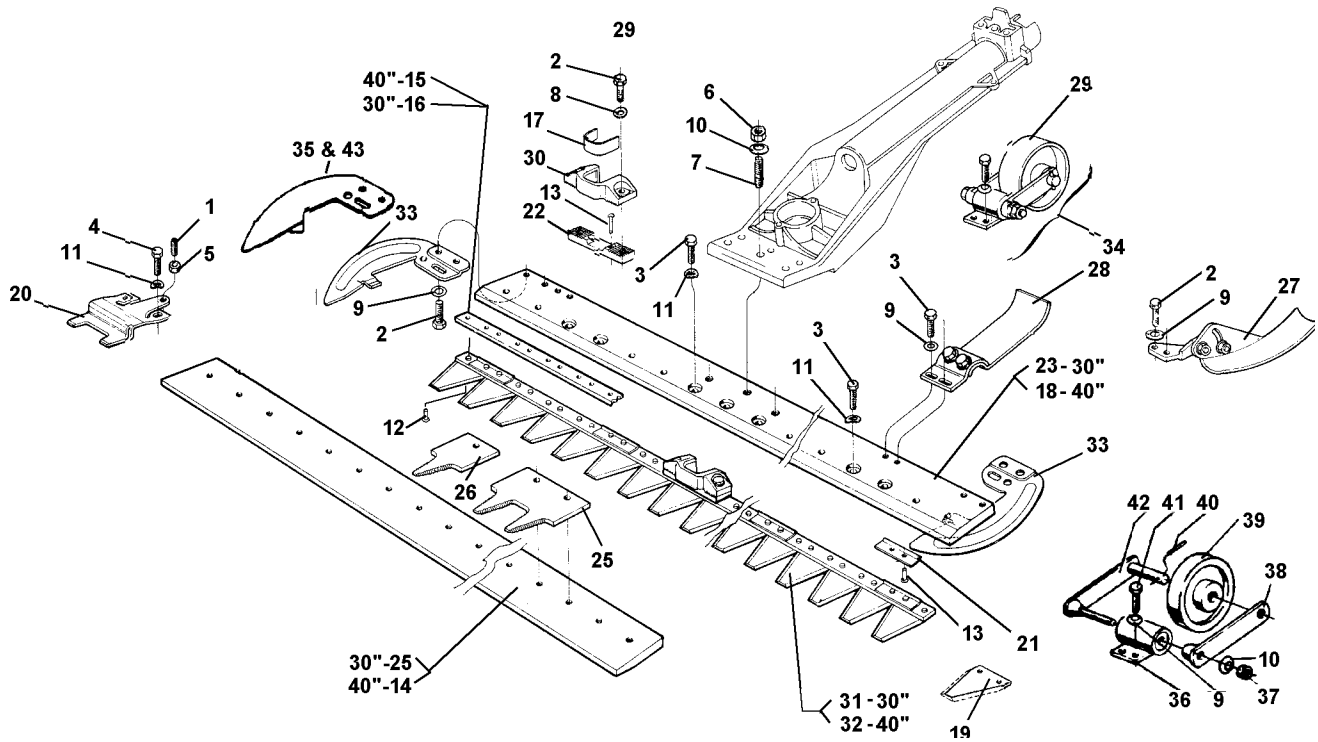
ID	PARTNO	DESCRIPTION	DENOMINACION	NOTES
1	300.00001	LUBRICATOR M10	ENGRASADOR M10	
2	300.10102	SILENTBLOC	SILENTBLOC	
3	300.30010	BUSHING	CASQUILLO	
4	311.11091	SCREW TE M6 X 14	TORNILLO TE M6 X 14	
5	311.12214	SCREW M10 X 45	TORNILLO M10 X 45	
6	311.12215	SCREW M10 X 60	TORNILLO M10 X 60	
7	312.41100	NUT, SELF LOCKING M10	TUERCA AUTOBLOC. M10	
8	312.41105	SELF LOCKING NUT	TUERCA AUTOBLOQUEANTE	
9	314.21101	SUPER WASHER 10 DIN 6796	SUPER ARANDELA 10 DIN 6796	
10	314.22064	WASHER, LOCK 6.4	ARANDELA DE RES. 6.4	
11	314.23084	WASHER, LOCK 8.4	ARANDELA DE RES. 8.4	
12	314.23105	WASHER, LOCK 10.5	ARANDELA DE RES. 10.5	
13	315.10082	SCREW M8 X 15	TORNILLO M8 X 15	
14	342.11035	PIN, LOCKING 3.5 X 26 DIN 1481	ESP. DE RES. 3.5 X 26 DIN 1481	
15	342.11055	PIN, LOCKING 5 X 40	ESPINA DE RES. 5 X 40	
16	342.11064	PIN, LOCKING 6 X 40	ESPINA DE RES. 6 X 40	
17	342.13084	SPIRAL PIN 8 X 40	ESPINA ESPIRAL 8 X 40	
18	351.11036	INSIDE CIRCLIP	SEEGER INTER.	
19	371.11120	BEARING 12 X 37 X 12 6301	COJINETE 12 X 37 X 12 6301	
20	371.12171	BRNG SKF 17 X 40 X 12 6203 ST	COJIN. SKF 17 X 40 X 12 6203 ST	
21	371.12203	BEARING 20 X 42 X 12 6004 2RS	COJINETE 20 X 42 X 12 6004 2RS	
22	371.13151	BEARING 6202 Z 15 X 35 X 11	COJINETE 6202 Z 15 X 35 X 11	
23	371.13200	BEARING 6204 Z 20 X 47 X 14	COJINETE 6204 Z 20 X 47 X 14	
24	525.50655	BLADE CONTROL CRANK	MANIVELA MANDO CUCHILLA	
25	525.50656	FORK	HORQUILLA	
26	532.50658	CUTTER BAR SUPPORT	SOPORTE BARRA DE CORTE	
27	551.43593	PLUG FOR D 26 HOLE	TAPON ORIFICIO D 26	
28	552.50638	LEVER	PALANCA	
29	561.50609	BEARING COVER	TAPA COJINETE	
30	563.50633	ELASTIC CONNECTION	FIJACION ELASTICA	
31	563.50653	CLOSING DISC	DISCO DE CIERRE	
32	563.50683	PLATE	PLETINA	
33	564.46668	BLADE PIN	PERNO CUCHILLA	
34	564.50605	BAR COUPLING	ACOPLAMIENTO BARRA	
35	564.50654	BLADE BUSHING	CASQUILLO CUCHILLA	



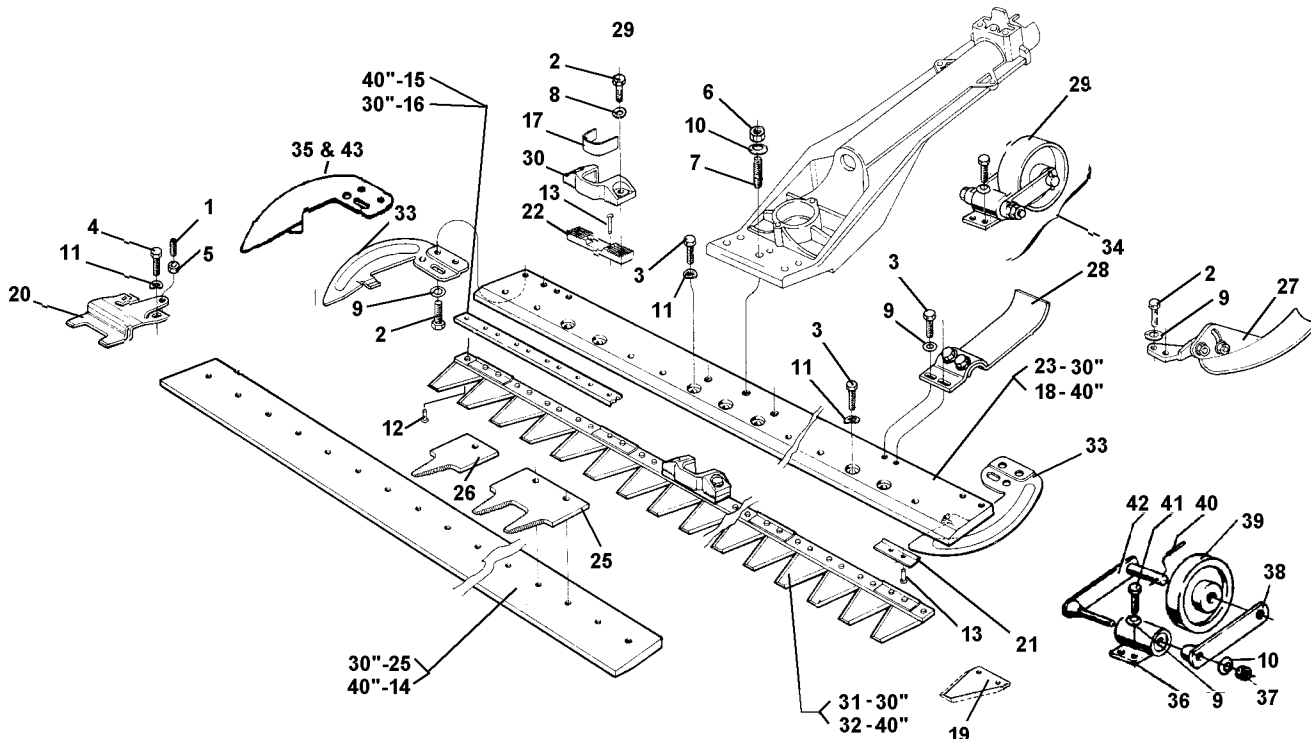
ID	PART NO	DESCRIPTION	DENOMINACION	NOTES
36	580.50652	LONG SPRING HOOK	GANCHO A MUELLE LARGO	
37	590.50601	SHAFT WITH BUSH	ARBOL CON CASQUILLO	
38	590.50640	OSCILLATING PROTECTION	PROTECCION	
39	590.50674	BLADE COUPLING	ACOPLAMIENTO CUCHILLA	
40	592.50676	CRANK WITH COVER	MANIVELA CON TAPA	
41	599.90265	CUTTER BAR ASSEMBLY 205	GRUPO MANDO BARRA 205	



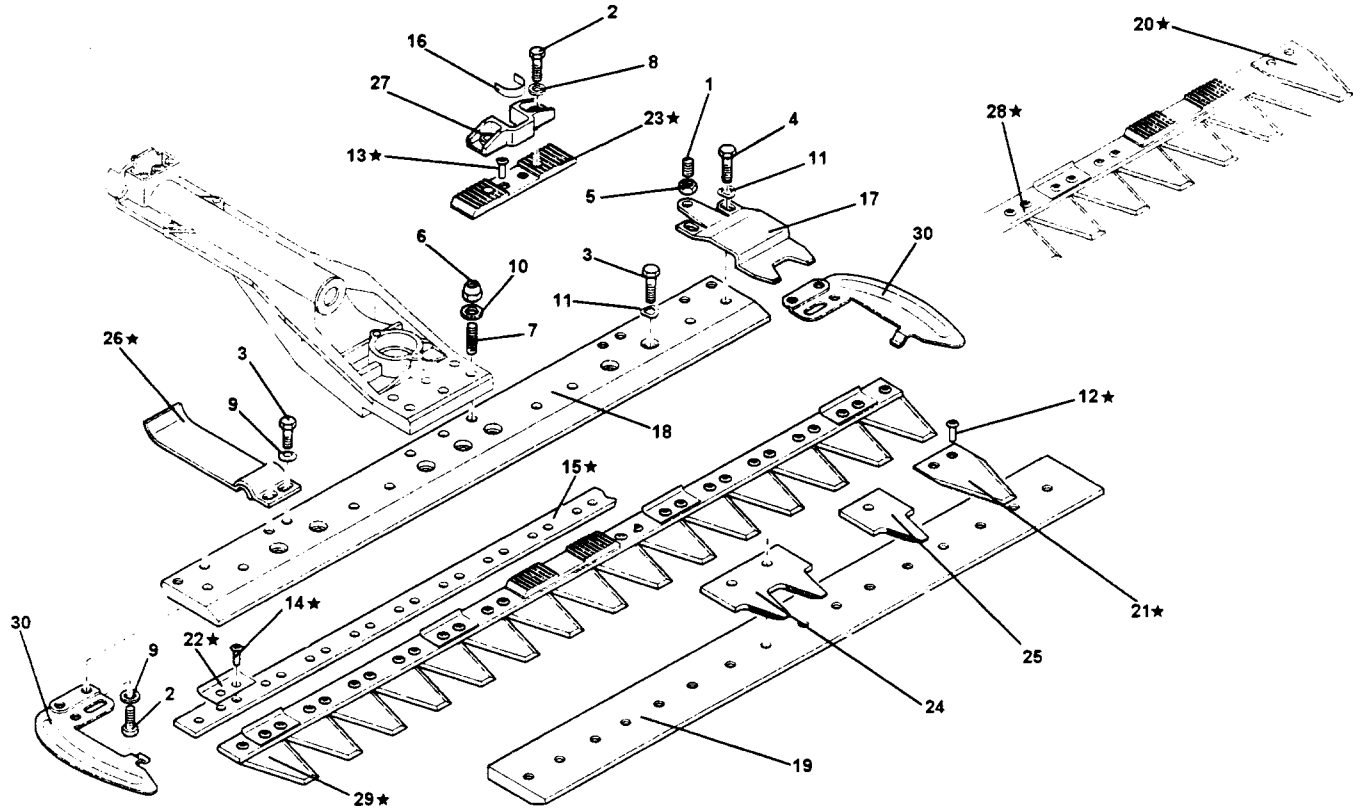
ID	PARTNO	DESCRIPTION	DENOMINACION	NOTES
1	311.00781	SCREW M8 X 14	TORNILLO M8 X 14	
2	311.11151	SCREW M8 X 16	TORNILLO M8 X 16	
3	311.12151	SCREW M8 X 25	TORNILLO M8 X 25	
4	311.12152	SCREW TE M8 X 30	TORNILLO TE M8 X 30	
5	312.00124	NUT M8	TUERCA M8	
6	312.41104	NUT	TUERCA	6 - EARLIER UNITS USED AN ELASTIC STOP NUT. THIS HAS BEEN REPLACED BY ITEM #6 LOCK NUT
7	313.12099	STUD	PRISIONERO	
8	314.11084	WASHER, FLAT 8.4	ARANDELA PLANA 8.4	
9	314.21083	SUPER WASHER 8 DIN 6796	SUPER ARANDELA 8 DIN 6796	9 - EARLIER UNITS USED A LOCK WASHER. THIS HAS BEEN REPLACED BY ITEM #9 SUPER WASHER.
10	314.23084	WASHER, LOCK 8.4	ARANDELA DE RES. 8.4	
11	331.12530	RIVET 5.3 X 14	REMACHE 5.3 X 14	
12	331.12531	RIVET TSV 5.3 X 18	REMACHE TSV 5.3 X 18	
13	561.50687	SLIDE FOR COMBO BAR 1.00 MT	PATIN BARRA COMBO 1.00 MT	
14	561.51414	BLADE STRIP	PLETINA CUCHILLA	
15	561.51420	BLADE STRIP	PLETINA CUCHILLA	
16	563.50683	PLATE	PLETINA	
17	563.50686	CENTER, CUTTER BAR COMBO 1 M	BARRA CENTR. COMBO 1.00 MT	
18	563.50696	SECTION F. NARROW SCORED BLADE	SECCION CUCHILLA PICADA	
19	563.51400	BLADE HOLDER	GUIA CUCHILLA	
20	563.51401	PLATE FOR CLEANING	PLETINA	
21	563.51403	BLADE COUPLING PLATE	PLETINA PARA ATTAQUE CUCHILLA	
22	563.51416	CENTRAL BAR 0.80 MT.	BARRA CENTRAL 0.80 MT.	
23	563.48929	BAR SLIDE	PATIN BARRA	
24	565.50648	DOUBLE FINGER	DIENTE DOBLE	
25	565.50649	SINGLE FINGER	DIENTE SIMPLE	
26	580.43572	SKID, NO LONGER AVAILABLE	CORREDERA INTERMEDIA	26 - SKID PART NUMBER 580.43572 IS NO LONGER AVAILABLE. USE PART NUMBER 580.46677.
27	590.48931	L.H. PROTECTION COMBO CUTTER	PROTECCION IZQ. BARRA COMBO	
28	590.48932	R.H. PROTECTION COMBO CUTTER	PROTECCION DER. BARRA COMBO	
29	590.50674	BLADE COUPLING	ACOPLAMIENTO CUCHILLA	
30	590.59108	SMOOTH BLADE WITH COUPLING	CUCHILLA LISA CON ATAQUE	
31	590.59109	SCORED BLADE WITH COUPLING	CUCHILLA PIC. CON ATAQUE	



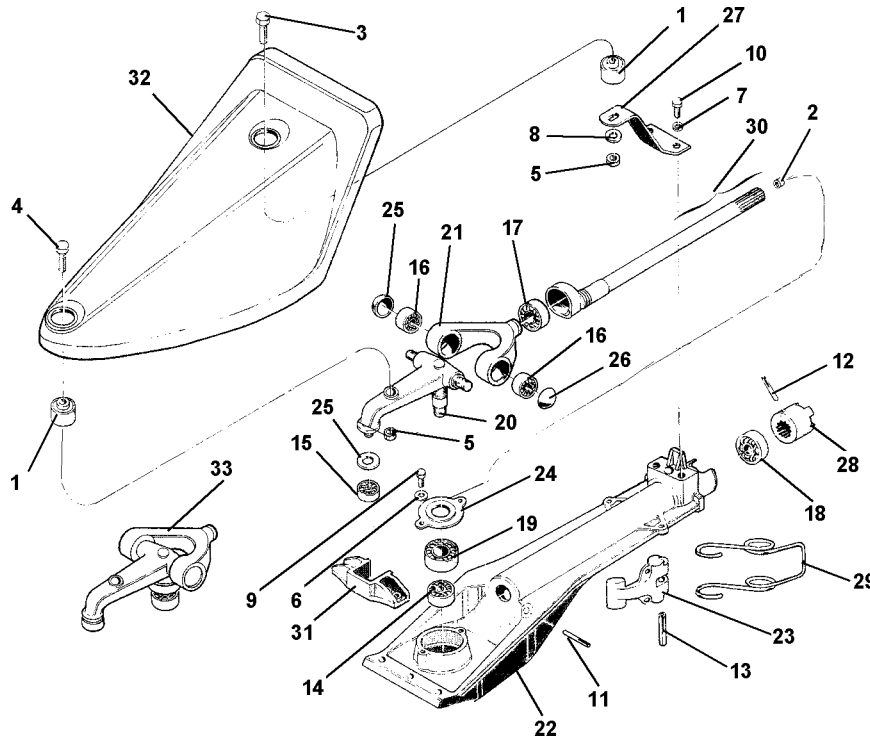
ID	PARTNO	DESCRIPTION	DENOMINACION	NOTES
1	311.00781	SCREW M8 X 14	TORNILLO M8 X 14	
2	311.11151	SCREW M8 X 16	TORNILLO M8 X 16	
3	311.12151	SCREW M8 X 25	TORNILLO M8 X 25	
4	311.12153	SCREW M8 X 35	TORNILLO M8 X 35	
5	312.00124	NUT M8	TUERCA M8	
6	312.41105	SELF LOCKING NUT	TUERCA AUTOBLOQUEANTE	
7	313.12099	STUD	PRISIONERO	
8	314.11084	WASHER, FLAT 8.4	ARANDELA PLANA 8.4	
9	314.21083	SUPER WASHER 8 DIN 6796	SUPER ARANDELA 8 DIN 6796	
10	314.21101	SUPER WASHER 10 DIN 6796	SUPER ARANDELA 10 DIN 6796	
11	314.23084	WASHER, LOCK 8.4	ARANDELA DE RES. 8.4	
12	331.12608	RIVET TSV 6.5 X 13	REMACHE TSV 6.5 X 13	
13	331.12609	RIVET TSV 6.5 X 16	REMACHE TSV 6.5 X 16	
14	561.50687	SLIDE FOR COMBO BAR 1.00 M	PATIN BARRA COMBO 1.00 MT.	
15	561.51414	BLADE STRIP	PLETINA CUCHILLA	
16	561.51420	BLADE STRIP	PLETINA CUCHILLA	
17	563.50683	PLATE	PLETINA	
18	563.50686	CENTER, CUTTER BAR COMBO 1 M	BARRA ENTR. COMBO 1.00 MT	
19	563.50696	SECTION F. NARROW SCORED BLADE	SECCION CUCHILLA PICADA	
20	563.51400	BLADE HOLDER	GUIA CUCHILLA	
21	563.51401	PLATE FOR CLEANING	PLETINA	
22	563.51403	BLADE COUPLING PLATE	PLETINA PARA ATTAQUE CUCHILLA	
23	563.51416	CENTRAL BAR 0.80 MT.	BARRA CENTRAL 0.80 MT.	
24	563.51417	BAR SLIDE	PATIN BARRA	
25	565.50648	DOUBLE FINGER	DIENTE DOBLE	
26	565.50649	SINGLE FINGER	DIENTE SIMPLE	
27	580.43572	SKID NO LONGER AVAILABLE	CORREDERA INTERMEDIA	27 - SKID PART NUMBER 580.43572 IS NO LONGER AVAILABLE. USE PART NUMBER 580.46677.
28	580.46677	SLIDE WITH SCREWS	PATIN CON TORNILLOS	
29	580.51434	WHEEL D = 100	RUEDA D = 100	
30	590.50674	BLADE COUPLING	ACOPLAMIENTO CUCHILLA	



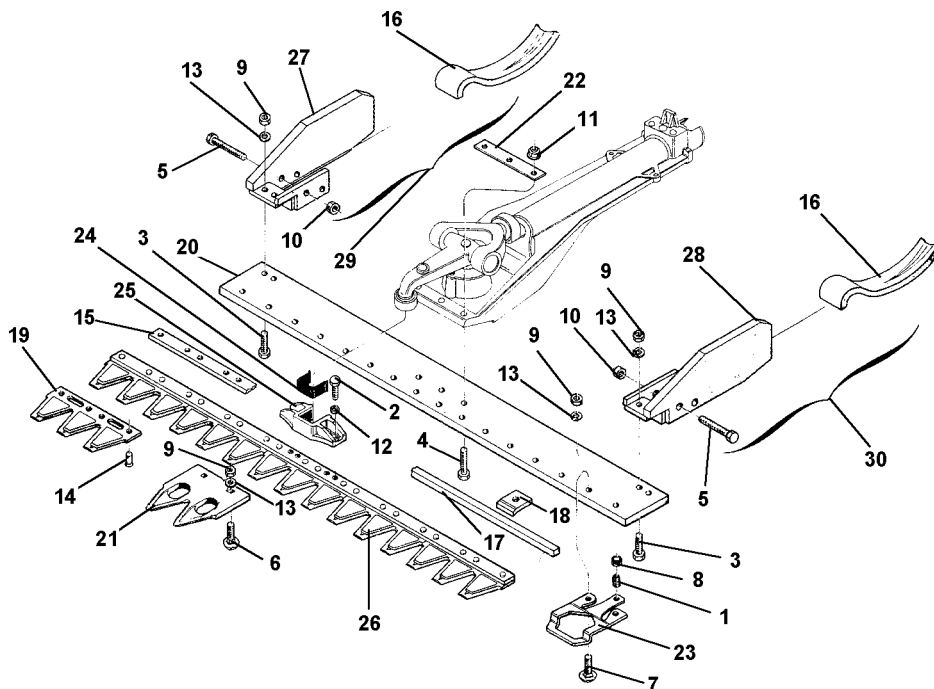
ID	PARTNO	DESCRIPTION	DENOMINACION	NOTES
31	590.59108	SCORED BLADE WITH COUPLING	CUCHILLA PIC. CON ATAQUE	
32	590.49109	SCORED BLADE WITH COUPLING	CUCHILLA PIC. CON ATAQUE	
33	922.48918	END GUARD-COMBO BAR (PR)	PROTECC. EXTREMO-COMBO BAR (PR)	
34	922.51425	CUTTER BAR WHEELS - PAIR	JUEGO RUEDAS BARRA DE CORTE	
35	590.48931	LH END GAURD NLA USE REF #33		
36	590.51426	WHEEL SUPPORT		
37	312.11100	NUT		
38	590.51430	SUPPORT		
39	580.51434	WHEEL D=100		
40	342.11042	PIN, LOCKING		
41	313.12150	SREW M8X20		
42	590.51429	SUPPORT WITH PIN		
43	590.48932	RH END GAURD NLA USE REF #33		



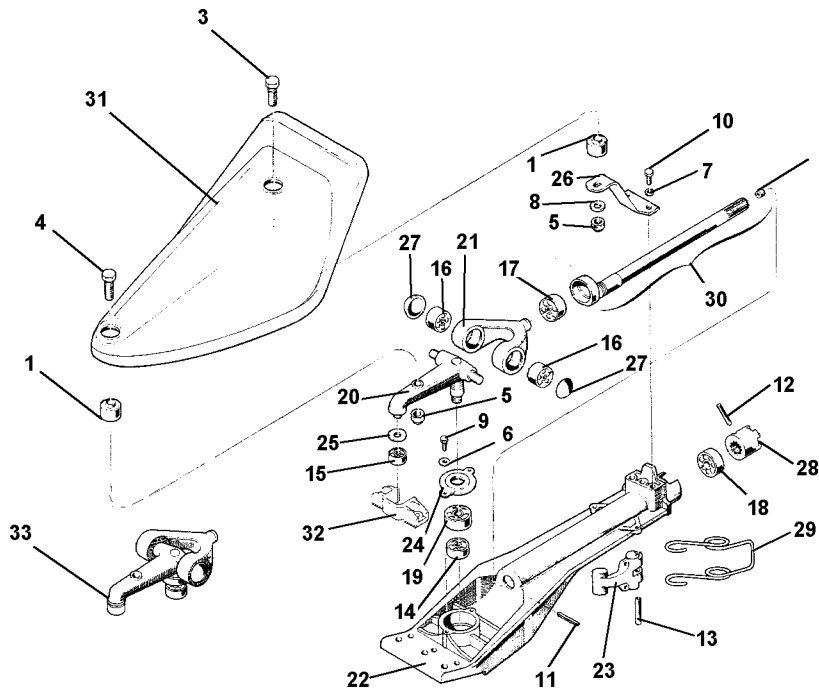
ID	PARTNO	DESCRIPTION	DENOMINACION	NOTES
1	311.00781	SCREW M8X14		
2	311.11151	SCREW M8X16		
3	311.12151	SCREW M8X25		
4	311.12153	SCREW M8X35		
5	312.00124	NUT M8		
6	312.41105	NUT, LOCKING		
7	313.12099	STUD		
8	314.11084	WASHER FLAT 8.4		
9	314.21083	SUPER WASHER M8		
10	314.21101	SUPER WASHER M10		
11	314.23084	WASHER LOCK 8.4		
12	331.12530	RIVET 5.3X14		
13	331.12531	RIVET 5.3X18		
14	331.12534	RIVET 5.3X16		
15	561.59050	BLADE STRIP		
16	563.50683	PLATE		
17	563.51400	BLADE HOLDER		
18	523.51416	CENTRAL BAR		
19	563.51417	BAR SLIDE		
20	563.59015	SERATED BLADE		
21	563.59016	SMOOTH BLADE NLA USE REF # 20		
22	563.59061	PLATE FOR CLEANING		
23	563.59106	BLADE COUPLING PLATE		
24	565.50648	DOUBLE FINGER		
25	565.50649	SINGLE FINGER		
26	580.46677	SLIDE WITH SCREWS		
27	590.50674	BLADE COUPLING		
28	590.59108	SERRATED BLADE ASSEMBLY		
29	590.59110	SMOOTH BLADE ASSEMBLY NLA USE REF # 28		
30	922.48918	END GAURD, PAIR		



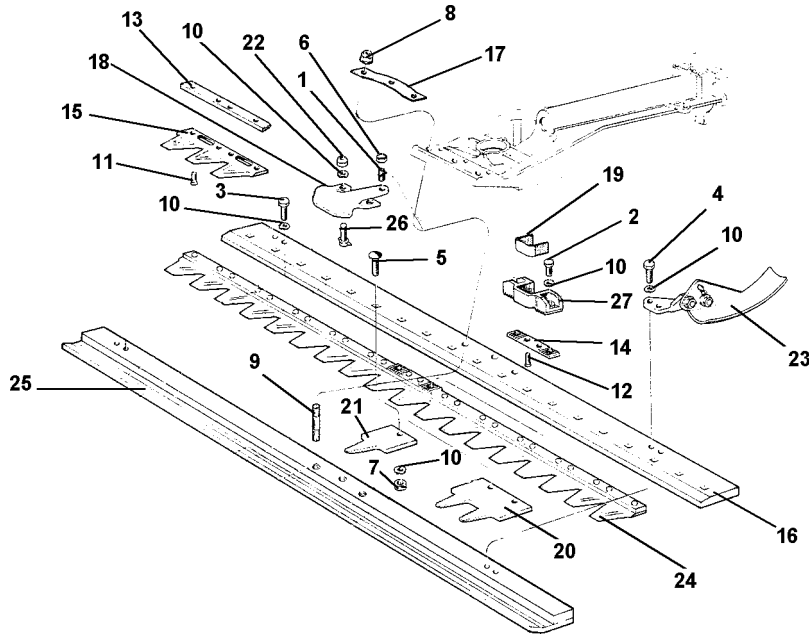
ID	PARTNO	DESCRIPTION	DENOMINACION	NOTES
1	300.10102	SILENTBLOC	SILENTBLOC	THIS PARTS ILLUSTRATION IS FOR THE 32" CUTTER BARS THAT THE CUTTER BLADES CAME IN SECTIONS OF THREE BLADES PER SECTION. SEE ITEM 9 ON PAGE 06.00. SERIAL NUMBER RANGES ARE NOT AVAILABLE FOR THESE UNITS.
2	300.30010	BUSHING	CASQUILLO	
3	311.12214	SCREW M10 X 45	TORNILLO M10 X 45	
4	311.12215	SCREW M10 X 60	TORNILLO M10 X 60	
5	312.41100	NUT, SELF LOCKING M10	TUERCA AUTOBLOC. M10	
6	314.22064	WASHER, LOCK 6.4	ARANDELA DE RES. 6.4	
7	314.23084	WASHER, LOCK 8.4	ARANDELA DE RES. 8.4	
8	314.23105	WASHER, LOCK 10.5	ARANDELA DE RES. 10.5	
9	315.10060	SCREW M6 X 12	TORNILLO M6 X 12	
10	315.10082	SCREW M8 X 15	TORNILLO M8 X 15	
11	342.11055	PIN, LOCKING 5 X 40	ESPINA DE RES. 5 X 40	
12	342.11064	PIN, LOCKING 6 X 40	ESPINA DE RES. 6 X 40	
13	342.13084	SPIRAL PIN 8 X 40	ESPINA ESPIRAL 8 X 40	
14	371.11120	BEARING 12 X 37 X 12 6301	COJINETE 12 X 37 X 12 6301	
15	371.12101	BEARING 62200-2RS 10 X 30 X 14	COJINETE 62200-2RS 10 X 30 X 14	
16	371.12122	BEARING	COJINETE	
17	371.12171	BEARING SKF 17 X 40 X 12 6203 ST	COJINETE SKF 17 X 40 X 12 6203 ST	
18	371.12203	BEARING 20 X 42 X 12 6004 2RS	COJINETE 20 X 42 X 12 6004 2RS	
19	371.13200	BEARING 20 X 47 X 14 6204-Z	COJINETE 20 X 47 X 14 6204-Z	
20	524.50603	BLADE CONTROL CRANK	MANIVELA MANDA CUCHILLA	
21	524.50608	FORK	HORQUILLA	
22	532.50658	CUTTER BAR SUPPORT	SOPORTE BARRA DE CORTE	
23	552.50638	LEVER	PALANCA	
24	561.50609	BEARING COVER	TAPA COJINETE	
25	563.43518	PROTECTION WASHER	ARANDELA DE PROTECCION	
26	563.50613	CLOSING DISC	DISCO DE CIERRE	
27	563.50633	ELASTIC CONNECTION	FIJACION ELASTICA	
28	564.50605	PTO COUPLING	ACOPLAMIENTO	
29	580.50639	HOOK	GANCHO	
30	590.50601	SHAFT WITH BUSHING	ARBOL CON CASQUILLO	
31	590.50616	NYLON COUPLING	ACOPLAMIENTO, NYLON	
32	590.50640	HOOD	PROTECCION	
33	592.50598	CRANK COMPLETE	COMPLETO MANIVELA	



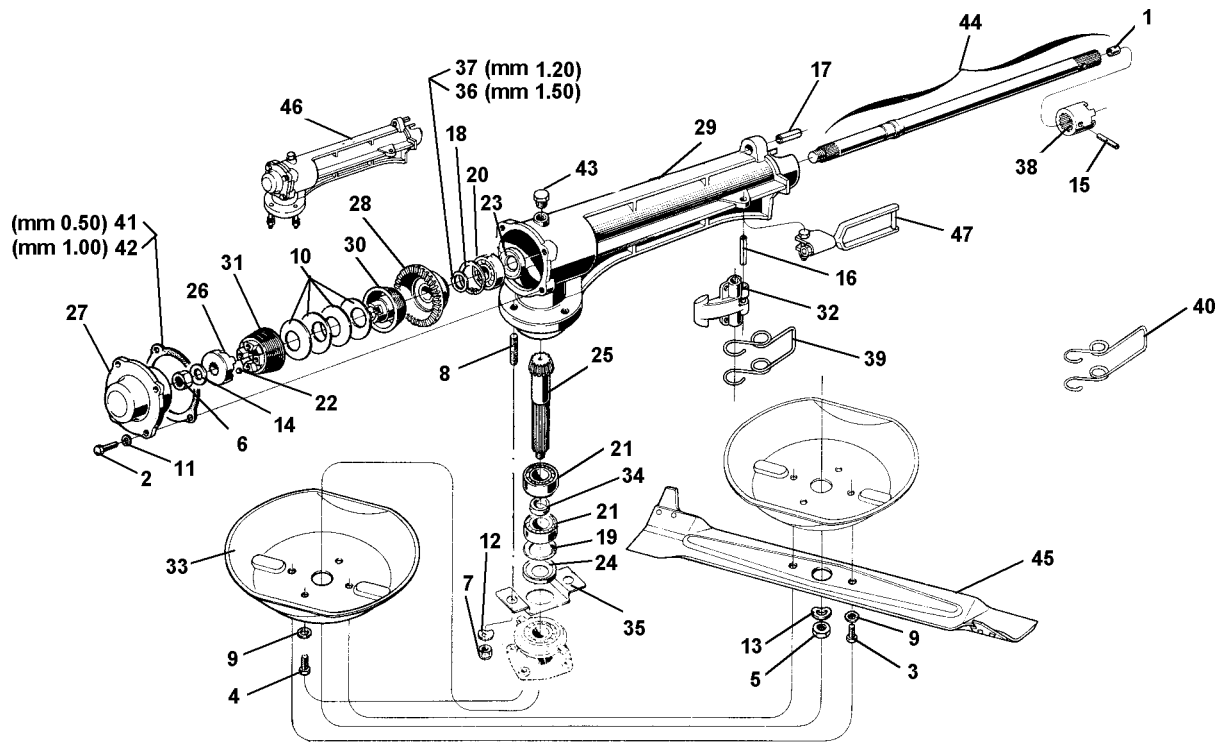
ID	PARTNO	DESCRIPTION	DENOMINACION	NOTES
1	311.00781	SCREW M8 X 14	TORNILLO M8 X 14	THIS PARTS ILLUSTRATION IS FOR THE 32" CUTTER BARS THAT THE CUTTER BLADES CAME IN SECTIONS OF THREE BLADES PER SECTION. SEE ITEM 9 ON THIS PAGE. SERIAL NUMBER RANGES ARE NOT AVAILABLE FOR THESE UNITS.
2	311.12090	SCREW TE M6 X 16	TORNILLO TE M6 X 16	
3	311.12151	SCREW M8 X 25	TORNILLO M8 X 25	
4	311.12153	SCREW M8 X 35	TORNILLO M8 X 35	
5	311.12162	SCREW M8 X 80	TORNILLO M8X 80	
6	311.22803	SCREW M8 X 25	TORNILLO M8 X 25	
7	311.22804	SCREW M8 X 30	TORNILLO M8 X 30	
8	312.00124	NUT M8	TUERCA M8	
9	312.11080	NUT M8	TUERCA M8	
10	312.41080	NUT, SELF LOCKING M8	TUERCA AUTOBLOC. M8	
11	312.41083	NUT, SELF LOCKING M8	TUERCA AUTOBLOC. M8	
12	314.22064	WASHER, LOCK 6.4	ARANDELA DE RES. 6.4	
13	314.23084	WASHER, LOCK 8.4	ARANDELA DE RES. 8.4	
14	331.12530	RIVET 5.3 X 14	REMACHE 5.3 X 14	
15	561.50621	BLADE STRIP 32"	PLETINA CUCHILLA 32"	
16	561.50669	SKID	RASTRA	
17	563.27566	BLADE GUIDE	GUIA CUCHILLA	
18	563.27610	GUIDE HOLDER	RETEN GUIA	
19	563.50618	THREE BLADE SECTION	SECCION TRES CUCHILLAS	
20	563.50623	CENTRAL BAR 32"	BARRA CENTRAL 32"	
21	563.50624	DOUBLE BLADE	CUCHILLA DOBLE	
22	563.50631	SUPPORT PLATE	PLETINA SOPORTE	
23	563.50650	BLADE HOLDER	RETEN CUCHILLA	
24	565.50629	PLATE	PLETINA	
25	590.50616	NYLON COUPLING	ACOPLAMIENTO, NYLON	
26	590.50620	BLADE SECTION 32"	SECCION CUCHILLA 32"	
27	590.50664	RIGHT SKID MOUNT	SOPORTE RASTRA DERECHO	
28	590.50665	LEFT SKID MOUNT	SOPORTE RASTRA IZQUIERDA	
29	592.50660	RIGHT SKID ASSEMBLY	ENSAMBLAJE RASTRA DERECHO	
30	592.50661	LEFT SKID ASSEMBLY	ENSAMBLAJE RASTRA IZQUIERDA	



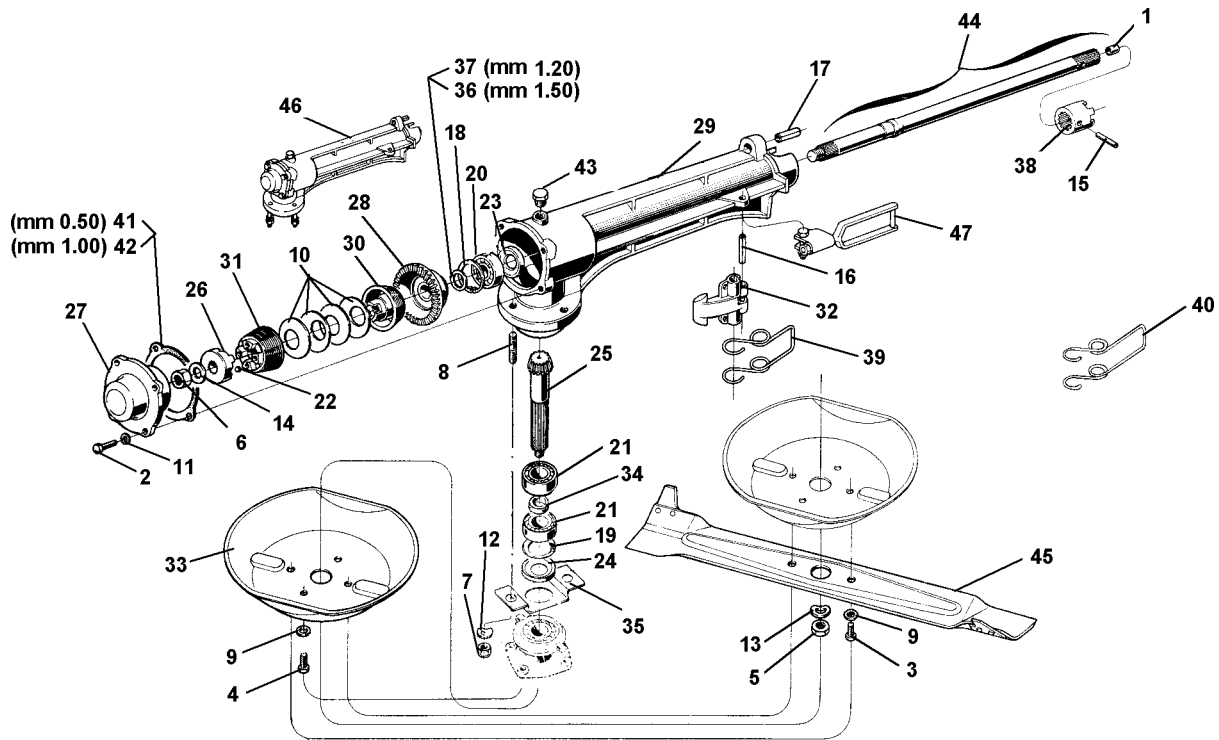
ID	PARTNO	DESCRIPTION	DENOMINACION	NOTES
1	300.10102	SILENTBLOC	SILENTBLOC	THIS PARTS ILLUSTRATION IS FOR THE 40" CUTTER BARS THAT THE CUTTER BLADES CAME IN SECTIONS OF THREE BLADES PER SECTION. SEE ITEM 5 ON PAGE 08.00. SERIAL NUMBER RANGES ARE NOT AVAILABLE FOR THESE UNITS.
2	300.30010	BUSHING	CASQUILLO	
3	311.12214	SCREW M10 X 45	TORNILLO M10 X 45	
4	311.12215	SCREW M10 X 60	TORNILLO M10 X 60	
5	312.41100	NUT, SELF LOCKING M10	TUERCA AUTOBLOC. M10	
6	314.22064	WASHER, LOCK 6.4	ARANDELA DE RES. 6.4	
7	314.23084	WASHER, LOCK 8.4	ARANDELA DE RES. 8.4	
8	314.23105	WASHER, LOCK 10.5	ARANDELA DE RES. 10.5	
9	315.10060	SCREW M6 X 12	TORNILLO M6 X 12	
10	315.10082	SCREW M8 X 15	TORNILLO M8 X 15	
11	342.11055	PIN, LOCKING 5 X 40	ESPINA DE RES. 5 X 40	
12	342.11064	PIN, LOCKING 6 X 40	ESPINA DE RES. 6 X 40	
13	342.13084	SPIRAL PIN 8 X 40	ESPINAL ESPIRAL 8 X 40	
14	371.11120	BEARING 12 X 37 X 12 6301	COJINETE 12 X 37 X 12 6301	
15	371.12101	BEARING 62200-2RS 10 X 30 X 14	COJINETE 62200-2RS 10 X 30 X 14	
16	371.12150	BEARING 15 X 35 X 11 6202 2RS	COJINETE 15 X 35 X 11 6202 2RS	
17	371.12171	BEARING SKF 17 X 40 X 12 6203 ST	COJINETE SKF 17 X 40 X 12 6203 ST	
18	371.12203	BEARING 20 X 42 X 12 6004 2RS	COJINETE 20 X 42 X 12 6004 2RS	
19	371.13200	BEARING 20 X 47 X 14 6204-Z	COJINETE 20 X 47 X 14 6204-Z	
20	525.50677	BLADE CONTROL CRANK	MANIVELA MANDA CUCHILLA	
21	525.50678	FORK	HORQUILLA	
22	532.50658	CUTTER BAR SUPPORT	SOPORTE BARRA DE CORTE	
23	552.50638	LEVER	PALANCA	
24	561.50609	BEARING COVER	TAPA COJINETE	
25	563.43518	PROTECTION WASHER	ARANDELA DE PROTECCION	
26	563.50633	ELASTIC CONNECTION	FIJACION ELASTICA	
27	563.50681	CLOSING DISC	DISCO DE CIERRE	
28	564.50605	PTO COUPLING	ACOPLAMIENTO	
29	580.50639	HOOK	GANCHO	
30	590.50601	SHAFT WITH BUSHING	ARBOL CON CASQUILLO	
31	590.50640	HOOD	PROTECCION	
32	590.50674	NYLON COUPLING	ACOPLAMIENTO, NYLON	
33	590.50685	CRANK COMPLETE	COMPLETO MANIVELA	



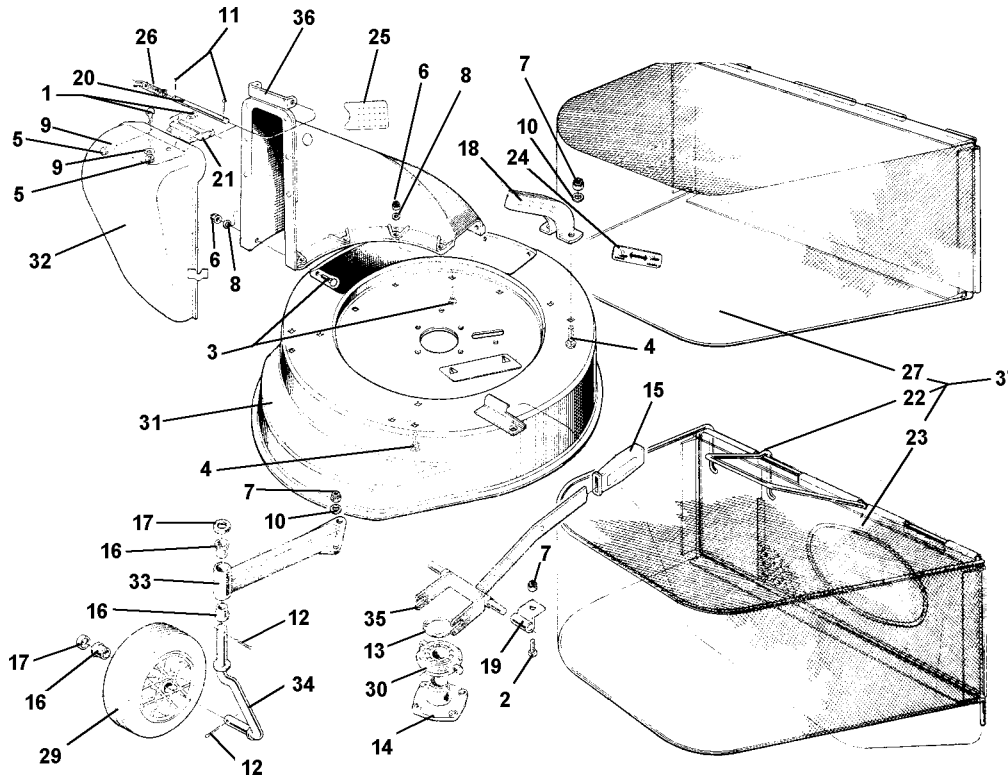
ID	PARTNO	DESCRIPTION	DENOMINACION	NOTES
1	311.00781	SCREW M8 X 14	TORNILLO MM8 X 14	THIS PARTS ILLUSTRATION IS FOR THE 40" CUTTER BARS THAT THE CUTTER BLADES CAME IN SECTIONS OF THREE BLADES PER SECTION. SEE ITEM 5 ON THIS PAGE. SERIAL NUMBER RANGES ARE NOT AVAILABLE FOR THESE UNITS.
2	311.12150	SCREW M8 X 20	TORNILLO M8 X 20	
3	311.12151	SCREW M8 X 25	TORNILLO M8 X 25	
4	311.12152	SCREW TE M8 X 30	TORNILLO TE M8 X 30	
5	311.22803	SCREW M8 X 25	TORNILLO M8 X 25	
6	312.00124	NUT M8	TUERCA M8	
7	312.11080	NUT M8	TUERCA M8	
8	312.41103	NUT	TUERCA	
9	313.12105	STYD	PRISIONERO	
10	314.23084	WASHER, LOCK 8.4	ARANDELA DE RES. 8.4	
11	331.12530	RIVET 5.3 X 14	REMACHE 5.3 X 14	
12	331.12531	RIVET TSV 5.3 X 18	REMACHE TSV 5.3 X 18	
13	561.50627	BLADE STRIP 40"	PLETINA CUCHILLA 40"	
14	561.50682	COUPLER PLATE	PLETINA ACOPLAMIENTO	
15	563.50618	THREE BLADE SECTION	SECCION TRES CUCHILLAS	
16	563.50625	CENTRAL BAR 40"	BARRA CENTRAL 40"	
17	563.50634	PLATE	PLETINA	
18	563.50644	BLADE HOLDER	RETEN CUCHILLA	
19	563.50683	PLATE	PLETINA	
20	565.50648	DOUBLE BLADE	CUCHILLA DOBLE	
21	565.50649	SINGLE BLADE	CUCHILLA SIMPLE	
22	580.43248	BEVEL NUT M8	TUERCA CONICA M8	
23	580.46677	SKID	RASTRA	
24	590.50626	BLADE SECTION 40"	SECCION CUCHILLA 40"	
25	590.50645	SKID 40"	RASTRA 40"	
26	590.50651	BLADE HOLDER FASTENER	BLOCAJE CUCHILLA RETEN	
27	590.50674	NYLON COUPLER	ACOPLAMIENTO, NYLON	



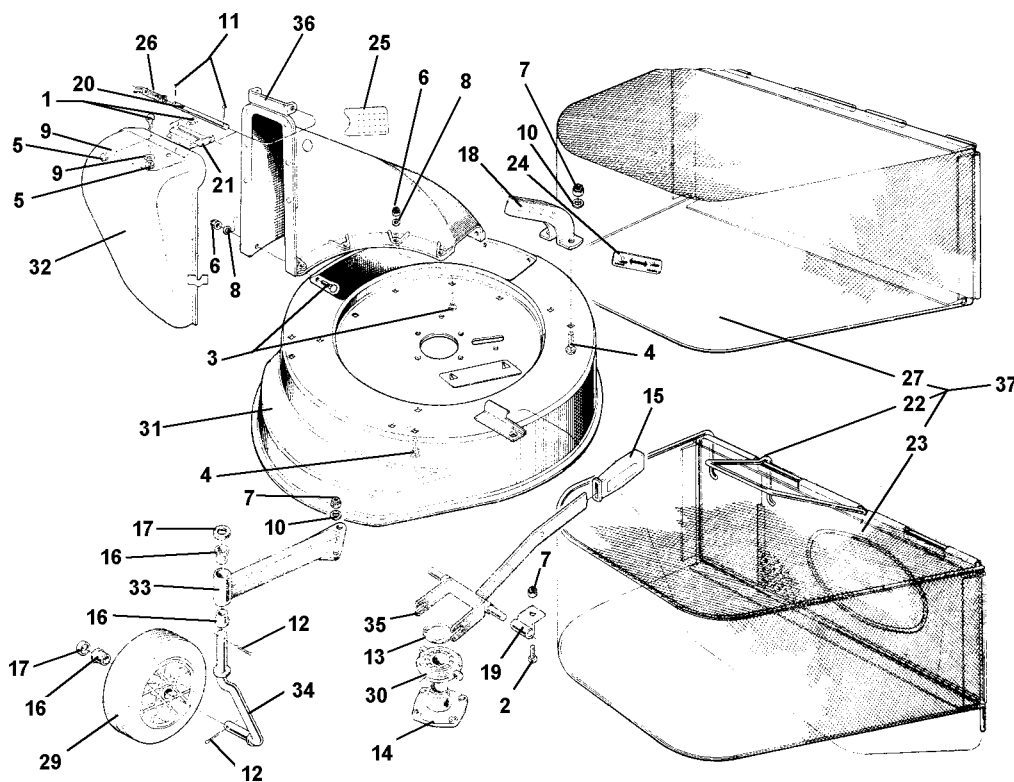
ID	PARTNO	DESCRIPTION	DENOMINACION	NOTES
1	300.30010	BUSHING	CASQUILLO	
2	311.12093	SCREW M6 X 20	TORNILLO M6 X 20	
3	311.12148	SCREW M8 X 14	TORNILLO M8 X 14	
4	311.12149	SCREW M8 X 12	TORNILLO M8 X 12	4 - EARLIER UNITS USED A BOLT AND TWO WASHERS. THIS IS REPLACED BY ITEMS #4 & #9.
5	312.31120	NUT, LOW M12	TUERCA BAJA M12	
6	312.31141	NUT M14 X 1.5	TUERCA M14 X 1.5	
7	312.41101	NUT SELF-LOCKING, M10 LOW	TUERCA AUTOBLOC. M10 BAJA	
8	313.12101	STUD M10 X 37 X 19 X 15 8G	PRISIONERO M10 X 37 X 19 X 15 8G	
9	314.21083	SUPER WASHER 8 DIN 6796	SUPER ARANDELA 8 DIN 6796	9 - EARLIER UNITS USED A BOLT AND TWO WASHERS. THIS IS REPLACED BY ITEMS #4 & #9.
10	314.21561	SPRING 56 X 28 X .5 X 1.5	MUELLE 56 X 28 X .5 X 1.5	
11	314.22064	WASHER, LOCK 6.4	ARANDELA DE RES. 6.4	
12	314.23105	WASHER, LOCK 10.5	ARANDELA DE RES. 10.5	
13	314.23130	WASHER, LOCK 13	ARANDELA DE RES. 13	
14	314.23150	WASHER, LOCK 15	ARANDELA DE RES. 15	
15	342.11064	PIN, LOCKING 6 X 40	ESPINA DE RES. 6 X 40	
16	342.13084	SPIRAL PIN 8 X 40	ESPINA ESPIRAL 8 X 40	
17	342.13120	LOCKING PIN 12 X 26	ESPINA ELASTICA 12 X 26	
18	351.11047	CIRCLIP, INTER. D 47	SEEGER INT. D 47	
19	351.11052	CIRCLIP, INTER. D 52	SEEGER INT. D 52	
20	371.11201	BEARING 20 X 47 X 14 6204	BARRA 20 X 47 X 14 6204	
21	371.11255	BEARING 25 X 52 X 15 6205	COJINETE 25 X 52 X 15 6205	
22	379.11032	BALL 5/16 RIV RB 7.938	BOLA 5/16 RIV RB 7.938	
23	382.12500	OIL SEAL 25 X 40 X 7	CHAPA RET. ACEITE 25 X 40 X 7	
24	382.12502	OIL SEAL 25 X 52 X 7	CHAPA RET. ACEITE 25 X 52 X 7	
25	524.51305	BEVEL GEAR	PINION CONICO	
26	524.51310	BRAKE COUPLING	ACOPLAMIENTO FRENO	
27	524.51311	BRAKE BELL	CAMPANA FRENO	
28	525.51304	CONICAL WHEEL	RUEDA CONICA	
29	532.51300	HOUSING FOR LAWN MOWER 204	CARTER CORTACESPED 204	
30	541.51308	STARTER CONE	CONO ARRANCADOR	
31	541.51309	BRAKECONE	CONO FRENO	
32	552.50638	LEVER	PALANCA	
33	561.50753	PROTECTION DISC	DISCO DE PROTECCION	
34	561.51306	SPACER	SEPARADOR	
35	561.51334	PROTECTION	PROTECCION	



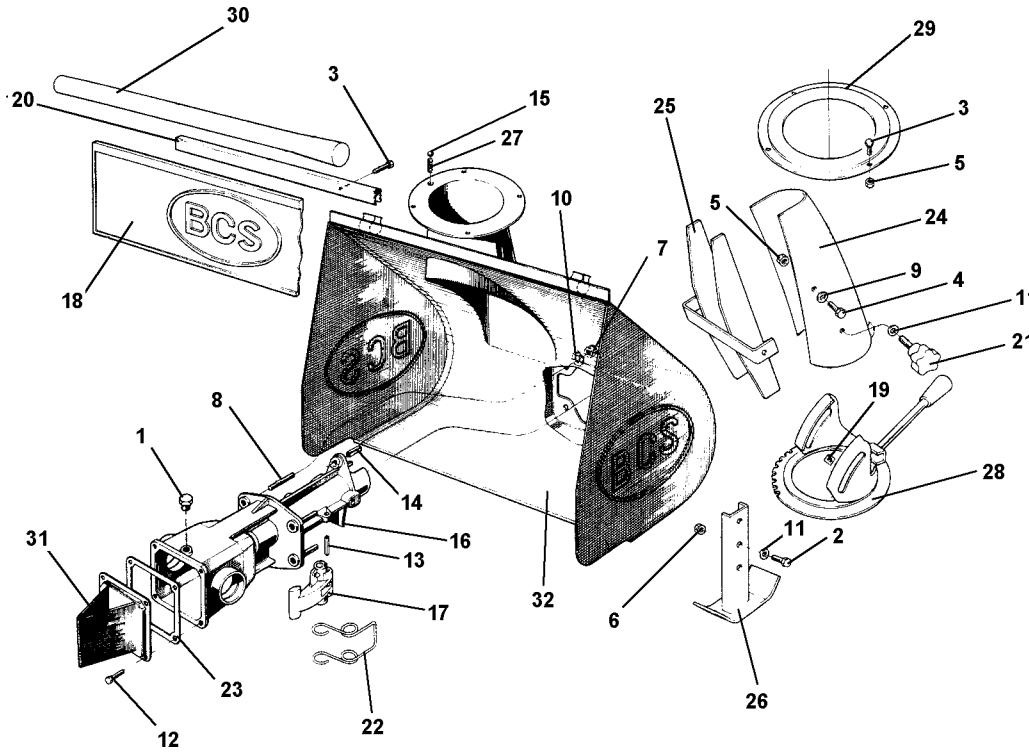
ID	PART NO	DESCRIPTION	DENOMINACION	NOTES
36	563.51303	STOP RING	ANILLO DE CONTRASTE	38 - EARLIER UNITS HAD THE PTO COUPLER AS PART OF THE SHAFT. THESE ARE REPLACED BY ITEMS 44, 38 & 15
37	563.51314	STOP RING	ANILLO DE CONTRASTE	
38	564.50605	BAR COUPLING	ACOPLAMIENTO BARRA	
39	580.50639	HOOK	GANCHO	
40	580.50652	LONG SPRING HOOK	GANCHO A MUELLE LARGO	
41	580.51320	GASKET	GUARNICION	39 - EARLIER UNITS USED THIS SHORT SPRING HOOK. OVER ALL LENGTH 4 3/16".
42	580.51321	GASKET	GUARNICION	
43	590.51045	BREATHER CAP 1/4 GAS	TAPON RESPIRACION 1/4 GAS	40 - LATER UNITS USED THIS LONG SPRING HOOK. OVER ALL LENGTH 4 15/16".
44	590.51317	PROPELLER SHAFT	EJE TRANSMISION	
45	590.51325	LAWN MOWER BLADE	PREMISTRISCIA CORTACESPED	
46	592.51299	GEAR ASSEMBLY	ENGRANAJE ENSAMBLAJE	44 - EARLIER UNITS HAD THE PTO COUPLER AS PART OF THE SHAFT. THESE ARE REPLACED BY ITEMS 44, 38 & 15
47	922.51057	IMPLEMENT SCREW COUPLING KIT	JUEGO ATAQUE APEROS A TORNILLO	
				47 - RIGID HOOK WAS USED ON SOME EARLIER UNITS. SEE SERVICE BULLETIN #30015



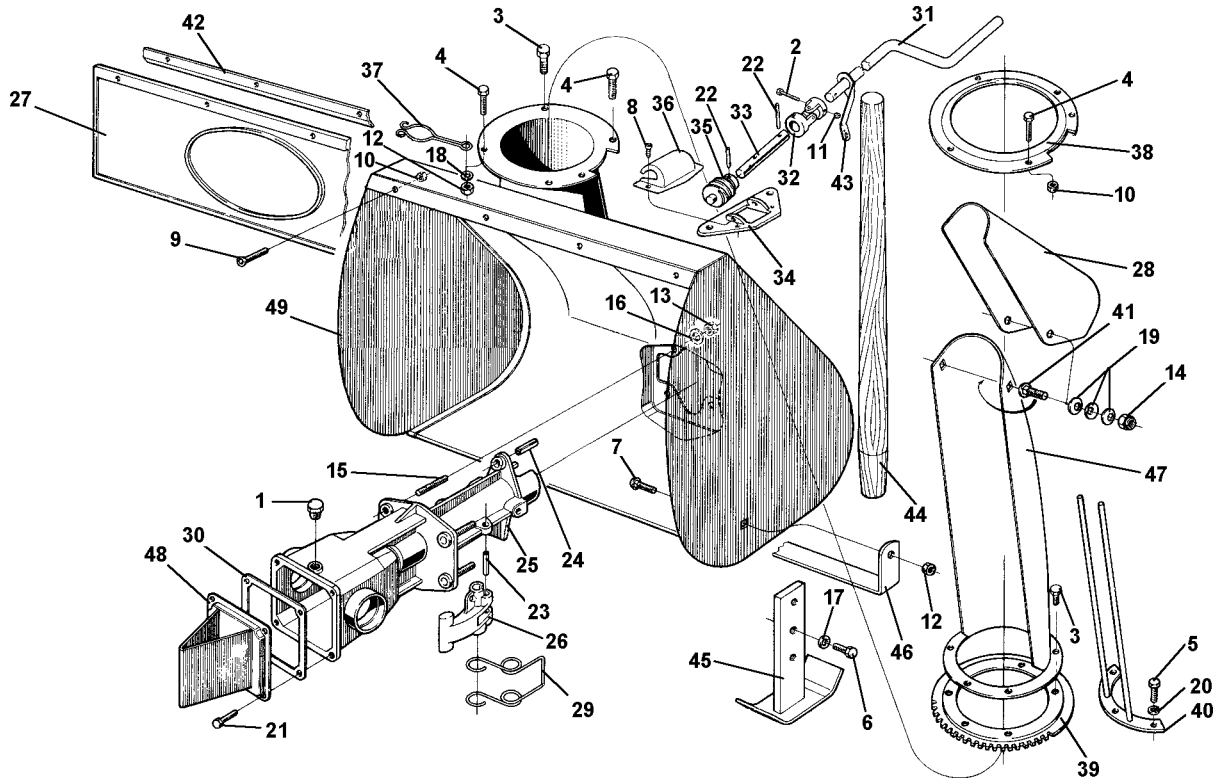
ID	PARTNO	DESCRIPTION	DENOMINACION	NOTES
1	311.11089	SCREW M5 X 10	TORNILLO M5 X 10	
2	311.11151	SCREW M8 X 16	TORNILLO M8 X 16	
3	311.21560	SCREW M6 X 20	TORNILLO M6 X 20	
4	311.21801	SCREW TTQ M8 X 20 UNI 5731	TORNILLO TTQ M8 X 20 UNI 5731	
5	312.11050	NUT M5	TUERCA M5	
6	312.41060	NUT, SELF LOCKING M6	TUERCA AUTOBLOC. M6	
7	312.41080	NUT, SELF LOCKING M8	TUERCA AUTOBLOC. M8	
8	314.11064	WASHER, FLAT 6.4	ARANDELA PLANA 6.4	
9	314.21062	SUPER WASHER	SUPER ARANDELA	9 - EARLIER UNITS USED A LOCK WASHER. THESE HAVE BEEN REPLACED BY ITEM #9 SUPER WASHER
10	314.23084	WASHER, LOCK 8.4	ARANDELA DE RES. 8.4	
11	341.10028	COTTER PIN	PASADOR A 3 X 15 UNI 1336 AC.	
12	341.10041	PIN, COTTER 4 X 25	PASADOR 4 X 25	
13	351.21035	EXT. CIRCLIP D 35	SEEGER EXT. D 35	
14	523.51313	BLADE HOLDER HUB	CUBO PORTA CUCHILLA	14 - EARLIER UNITS USED A ONE PIECE BEARING AND HUB. THIS IS REPLACED BY ITEM #14 & #30
15	551.02714	KNOB	MANILLAR	
16	552.19357	BUSH	CASQUILLO	
17	561.50559	PROTECTION	PROTECCION	
18	561.51335	CUTTING HEIGHT SELECTOR	SELECTOR ATURA DE CORTE	
19	561.51349	SUPPORT	SOPORTE	
20	561.51364	BAFFLE PIN	PERNO DEFLECTOR	
21	561.51366	U-BOLT	PUENTE	
22	561.51369	FRAME	CHASIS	
23	561.51370	GRID	FILTRO	
24	580.51337	TRANSFER FOR LAWN MOWER	AUTOADHESIVO PARA CORTACESPED	30 - EARLIER UNITS USED A ONE PIECE BEARING AND HUB. THIS IS REPLACED BY ITEM #14 & #30
25	580.51361	TRANSFER	AUTOADHESIVO	
26	580.51365	DEFLECTOR SPRING	MUELLE DEFLECTOR	
27	580.51371	GRASS BAG	SACO COLECTOR	
28	580.51372	STICKER	AUTOADHESIVO	
29	590.50550	SMALL WHEEL	RUEDITA	
30	590.51315	COLLAR	COLARIN	32 - EARLIER UNITS USED A ONE PIECE DEFLECTOR WITHOUT A HINGE ASSEMBLY. WHEN REPLACING THIS EARLIER DEFLECTOR, USE KIT PART NUMBER 592.90137, TO CONVERT IT TO THE NEW STYLE.
31	590.51330	LAWN MOWER CRANKCASE	CARTER CORTACESPED	
32	590.51336	DEFLECTOR	DEFLECTOR	
33	590.51343	WHEEL SUPPORT	SOPORTE RUEDA	
34	590.51346	SPINDLE	FUSO	
35	590.51350	ADJUSTING LEVER	PALANCA REGULACCION	



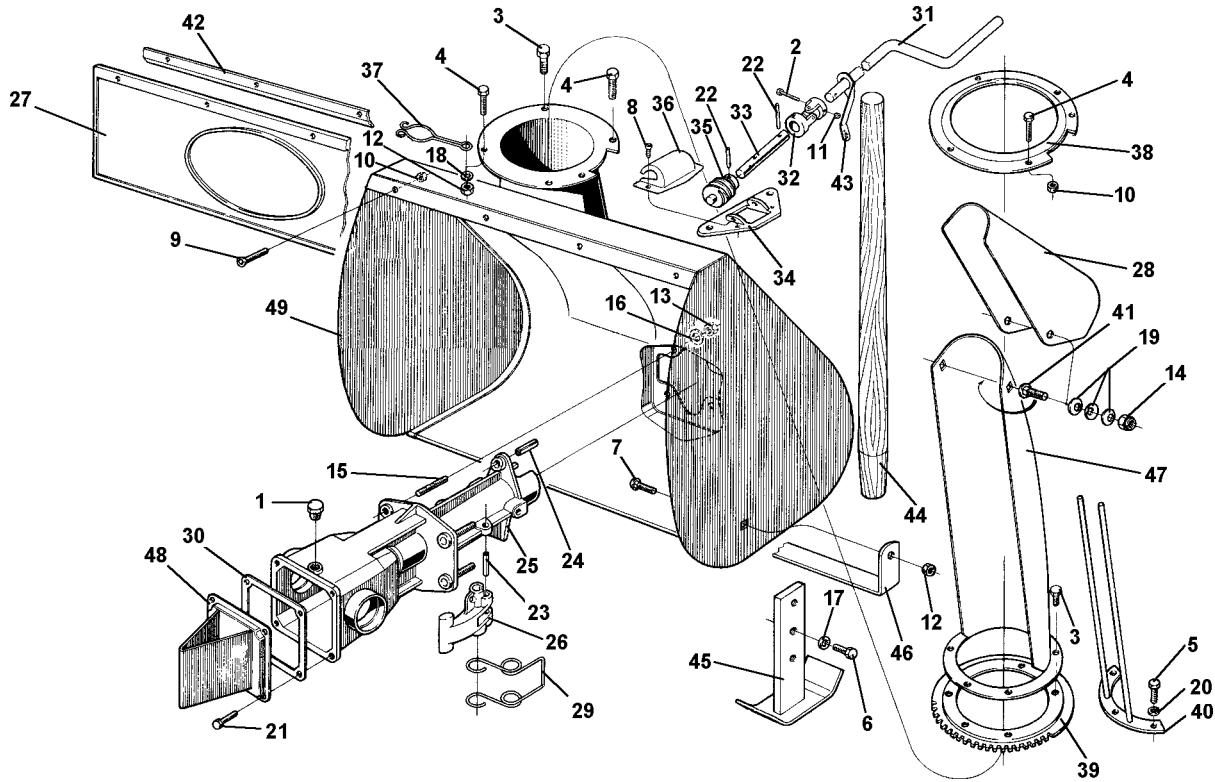
ID	PARTNO	DESCRIPTION	DENOMINACION	NOTES
36	590.51358	CONVEYOR	DEFLECTOR	
37	590.51368	CATCHER COMPLETE	SACO COMPLETO	



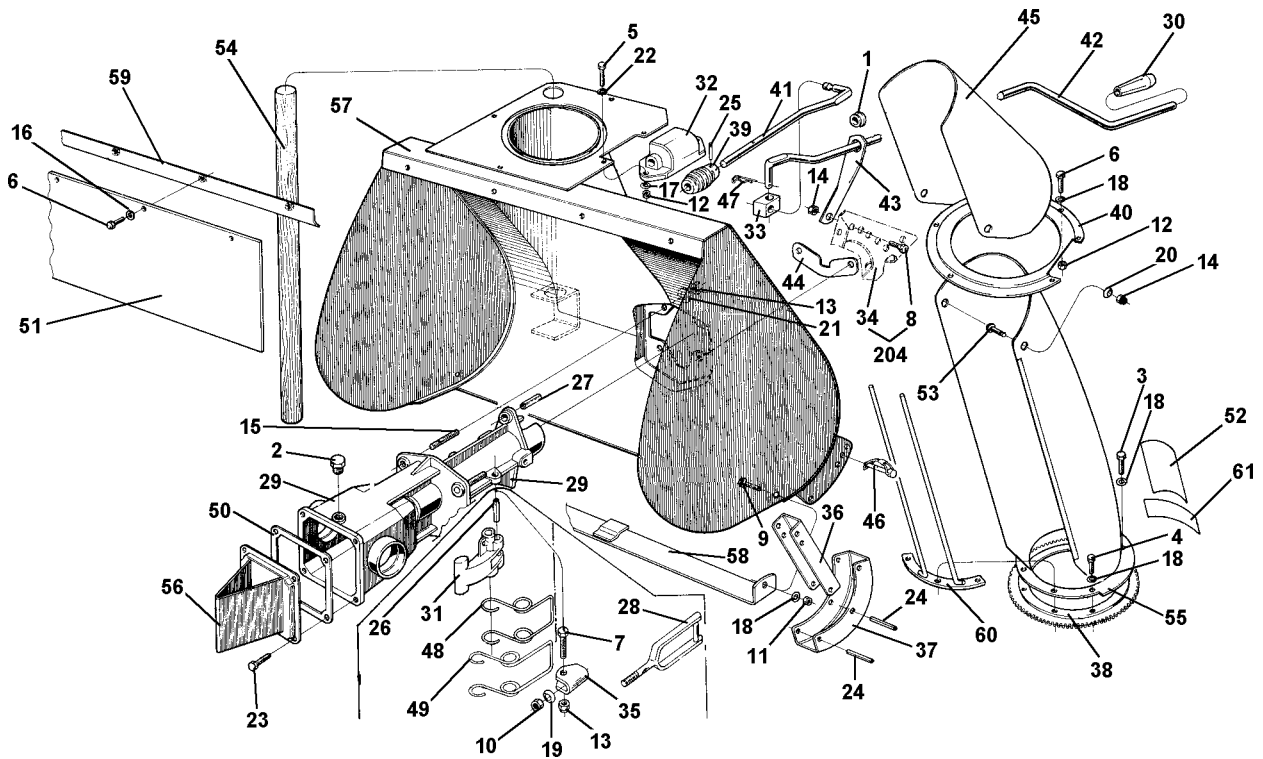
ID	PARTNO	DESCRIPTION	DENOMINACION	NOTES
1	300.40001	PLUG 1/4 GAS	TAPON 1/4 GAS	THIS PART ILLUSTRATION IS FOR THE 20" SNOW THROWERS PRODUCED FROM 1982 TO 1985. THESE SNOW THROWERS CAN BE IDENTIFIED BY THE MECHANISM THAT CHANGES THE SNOW DEFLECTOR DIRECTION. SEE ITEM #28 ON THIS PAGE. SERIAL NUMBER RANGES ARE NOT AVAILABLE FOR THESE UNITS.
2	311.11151	SCREW M8 X 16	TORNILLO M8 X 16	
3	311.12082	SCREW M6 X 12	TORNILLO M6 X 12	
4	311.12090	SCREW TE M6 X 16	TORNILLO TE M6 C 16	
5	312.11060	NUT M6	TUERCA M6	
6	312.11080	NUT M8	TUERCA M8	
7	312.41080	NUT, SELF LOCKING M8	TUERCA AUTOBLOC. M8	
8	313.12078	STUD M8 X 32 X 14 X 14	PRISIONERO M8 X 32 X 14 X 14	
9	314.11064	WASHER, FLAT 6.4	ARANDELA PLANA 6.4	
10	314.11084	WASHER, FLAT 8.4	ARANDELA PLANA 8.4	
11	314.11105	FLAT WASHER 10.5 X 21	ARANDEL PLANA 10.5 X 21	
12	315.10060	SCREW M6 X 12	TORNILLO M6 X 12	
13	342.13084	SPIRAL PIN 12 X 26	ESPINA ESPIRAL 12 X 26	
14	342.13120	LOCKING PIN 12 X 26	ESPINA ELASTICA 12 X 26	
15	379.11132	BALL 11/32 RIV RB 8.73	BOLA 11/32 RIV RB 8.73	
16	531.50800	GEAR CASE	CAJA ENGRANAJE	
17	552.50638	LEVER	PALANCA	
18	552.50847	SNOW FLAP	PROTECCION LANZANIEVE	
19	561.49281	SQUARE NUT M10	TUERCA CUBO M10	
20	561.50846	SNOW FLAP HOLDER	RETEN PROTECCION LANZANIEVE	
21	580.49280	KNOB WITH SCREW	MANILLAR CON TORNILLO	
22	580.50639	HOOK	GANCHO	
23	580.50805	GASKET	GUARNICION	
24	581.49237	FUNNEL	CHEMINEA	
25	581.49238	FUNNEL GRATE	PARRILLA CHEMINEA	
26	581.49251	SKID	RASTRA	
27	581.50840	SPRING	MUELLE	
28	581.50861	FUNNEL FLANGE	BRIDA CHEMINEA	
29	581.50862	FLANGE FOR RING	BRIDA PARA ANILLO	
30	581.50863	STICK	BASTON	
31	590.50802	COVER	TAPA	
32	590.50830	CRANKCASE	CARTER	



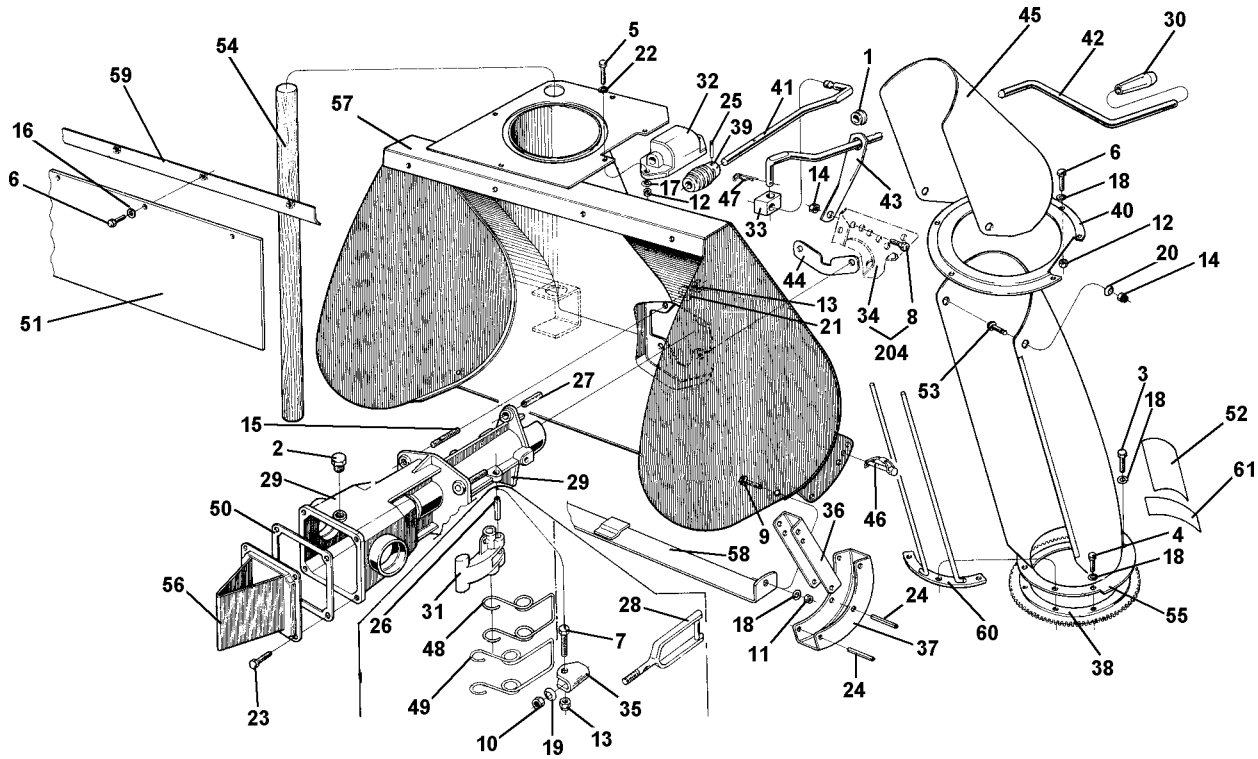
ID	PARTNO	DESCRIPTION	DENOMINACION	NOTES
1	300.40001	PLUG 1/4 GAS	TAPON 1/4 GAS	
2	311.11087	SCREW TE M4 X 35	TORNILLO TE M4 X 35	
3	311.12082	SCREW M6 X 12	TORNILLO M6 X 12	
4	311.12089	SCREW M6 X 25	TORNILLO M6 X 25	
5	311.12090	SCREW TE M6 X 16	TORNILLO TE M6 X 16	
6	311.12208	SCREW TE M10 X 16 UNI 5739-8G	TORNILLO TE M10 X 16 UNI 5739-8G	
7	311.21560	SCREW M6 X 20	TORNILLO M6 X 20	
8	311.32440	SCREW TSVEI M4 X 10	TORNILLO TSVEI M4 X 10	
9	311.32562	SCREW M6 X 16	TORNILLO M6 X 16	
10	312.11060	NUT M6	TUERCA M6	
11	312.41040	NUT	TUERCA	
12	312.41060	NUT, SELF LOCKING M6	TUERCA AUTOBLOC. M6	
13	312.41080	NUT, SELF LOCKING M8	TUERCA AUTOBLOC. M8	
14	312.41101	NUT, SELF LOCKING M10 LOW	TUERCA AUTOBLOC. M10 BAJA	
15	313.12078	STUD M8 X 32 X 14 X 14	PRISIONERO M8 X 32 X 14 X 14	
16	314.11084	WASHER, FLAT 8.4	ARANDELA PLANA 8.4	
17	314.11105	FLAT WASHER 10.5 X 21	ARANDELA PLANA 10.5 X 21	
18	314.13064	WASHER, FLAT 6.4	ARANDELA PLANA 6.4	
19	314.21102	SPRING 10.2 X 28 X 1.5	MUELLE	
20	314.24064	WASHER, LOCK 6.4	ARANDELA DE RES. 6.4	
21	315.10060	SCREW M6 X 12	TORNILLO M6 X 12	
22	342.11054	PIN, LOCKING 5 X 30	ESPINA DE RES. 5 X 30	
23	342.13084	SPIRAL PIN 8 X 40	ESPINA ESPIRAL 8 X 40	
24	342.13120	LOCKING PIN 12 X 26	ESPINA ELASTICA 12 X 26	
25	531.50800	SNOW THROWER SUPPORT	SOPORTE LANZANIEVE	
26	552.50638	LEVER	PALANCA	
27	552.50847	MUD FLAP	PROTECCION DELANTERA	
28	566.49285	FLAP	DEFLECTOR	
29	580.50639	HOOK	GANCHO	
30	580.50805	GASKET	GUARNICION	
31	581.49227	FUNNEL CONTROL ROD	EJE COMANDO CHEMINEA	
32	581.49230	JOINT	JUNTA	
33	581.49231	SHAFT	ARBOL	
34	581.49232	PLATE	PLETINA	
35	581.49233	HELICAL GEAR	ENGRANAJE	



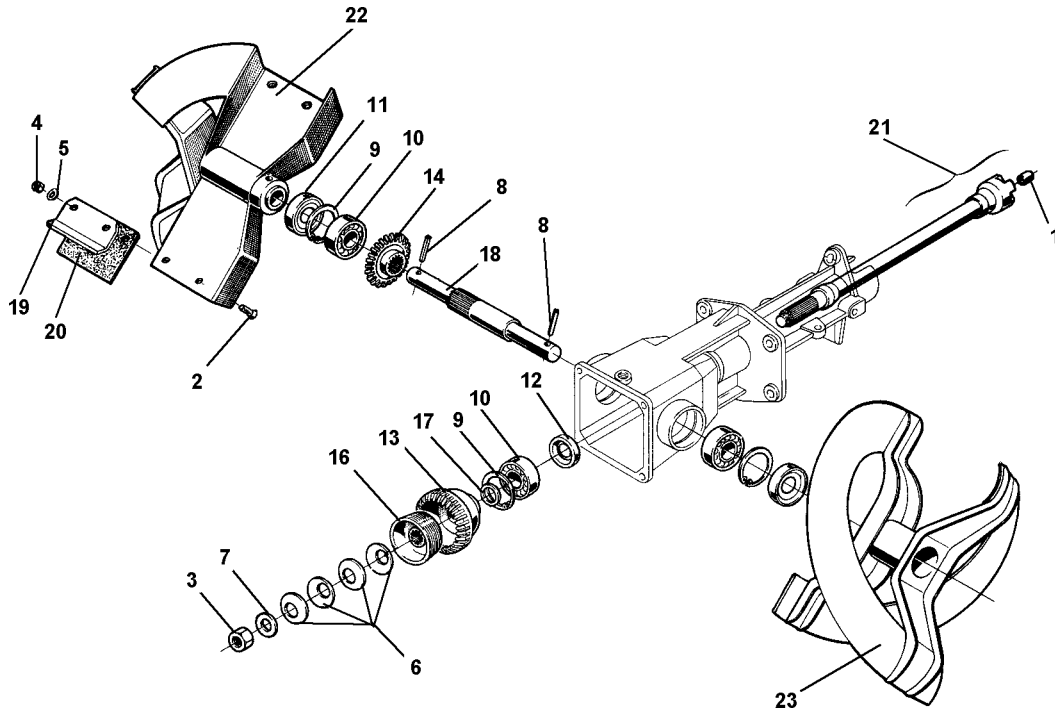
ID	PARTNO	DESCRIPTION	DENOMINACION	NOTES
36	581.49234	TUNNEL	TEJA	
37	581.49257	SPRING FOR STICK	MUELLE PARA BASTON	
38	581.49258	FLANGE FOR RING	BRIDA PARA ANILLO	
39	581.49261	CROWN RING	ANILLO	
40	581.49266	GRID FOR CHUTE 1985	PARILLA PARA CHEMINEA 1985	
41	581.49292	SCREW M10 X 25	TORNILLO M10 X 25	
42	581.50848	MUDFLAP HOLDER	RETEN PROTECCION DELANTERA	
43	581.50856	ROD SUPPORT	SOPORTE EJE	
44	581.50863	STICK	BASTON	
45	581.50867	SLIDE	PATIN	
46	581.50872	COVER SLIDE	PATIN CAPO	
47	590.49293	FUNNEL	CHEMINEA	
48	590.50802	COVER	TAPA	
49	590.50827	CRANKCASE	CARTER	



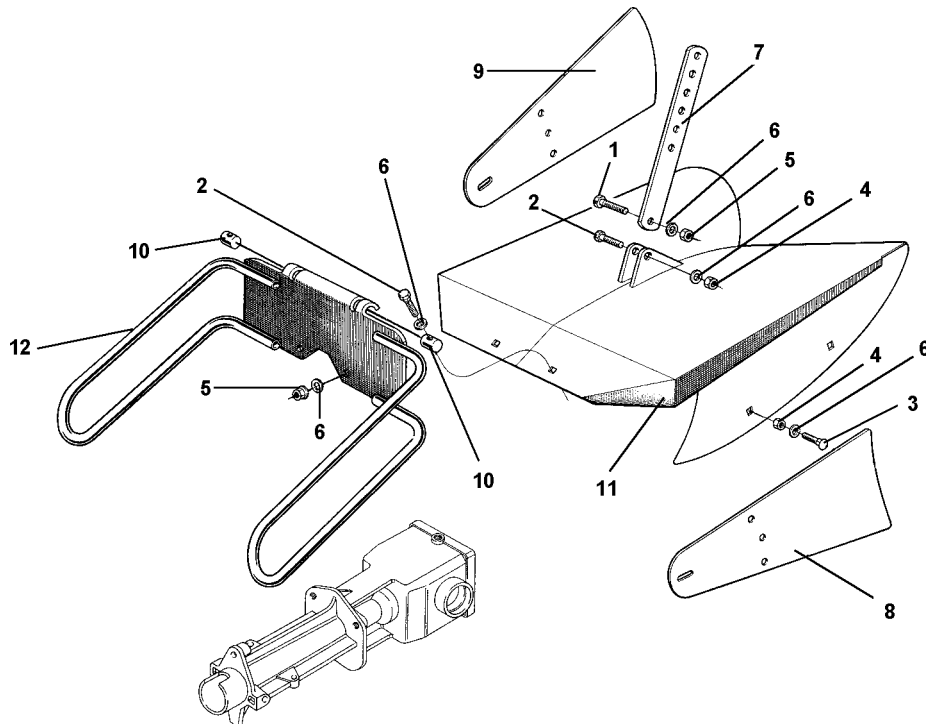
ID	PART NO	DESCRIPTION	DENOMINACION	NOTES
1	300.00631	BUSHING	CASQUILLO	1 - EARLIER UNITS USED A SMALLER BUSHING. THIS BUSHING CAN BE USED ON ALL UNITS.
2	300.40001	PLUG 1/4 GAS	TAPON 1/4 GAS	
3	311.11090	SCREW TE M6 X 10 UNI 5739-5S	TORNILLO TE M6 X 10 UNI 5739-5S	
4	311.11091	SCREW TE M6 X 14	TORNILLO TE M6 X 14	
5	311.12089	SCREW M6 X 25	TORNILLO M6 X 25	
6	311.12090	SCREW TE M6 X 16	TORNILLO TE M6 X 16	
7	311.12152	SCREW TE M8 X 30	TORNILLO TE M8 X 30	
8	311.12210	SCREW TE M10 X 20 UNI 5739-8G	TORNILLO TE M10 X 20 UNI 5739-8G	
9	311.21558	SCREW M6 X 16	TORNILLO M6 X 16	
10	312.11080	NUT M8	TUERCA M8	
11	312.41060	NUT, SELF LOCKING M6	TUERCA AUTOBLOC. M6	17 - EARLIER UNITS USED A SMALLER WASHER. THIS WASHER CAN BE USED ON ALL UNITS.
12	312.41061	SELF LOCKING NUT M6	TUERCA AUTOBLOQUEANTE M6	
13	312.41080	NUT, SELF LOCKING M8	TUERCA AUTOBLOC. M8	
14	312.41100	NUT, SELF LOCKING M10	TUERCA AUTOBLOC. M10	
15	313.12078	STUD M8 X 32 X 14 X 14	PRISIONERO M8 X 32 X 14 X 14	
16	314.11064	WASHER, FLAT 6.4	ARANDELA PLANA 6.4	
17	314.11066	FLAT WASHER	ARANDELA PLANA	
18	314.21064	SUPER WASHER 6 DIN 6796	SUPER ARANDELA 6 DIN 6796	
19	314.21083	SUPER WASHER 8 DIN 6796	SUPER ARANDELA 8 DIN 6796	
20	314.21101	SUPER WASHER 10 DIN 6796	SUPER ARANDELA 10 DIN 6796	
21	314.23084	WASHER, LOCK 8.4	ARANDELA DE RES. 8.4	22 - EARLIER UNITS DID NOT ORIGINALLY USE THIS WASHER.
22	314.24064	WASHER, LOCK 6.4	ARANDELA DE RES. 6.4	
23	315.10060	SCREW M6 X 12	TORNILLO M6 X 12	
24	342.11065	PIN, LOCKING 6 X 50	ESPINA DE RES. 6 X 50	
25	342.13022	PIN, LOCKING SW 3 X 22 SPIRAL	ESPINA DE RES. SW 3 X 22 ESPIRAL	
26	342.13084	SPIRAL PIN 8 X 40	ESPINA ESPIRAL 8 X 40	28 - RIGID HOOK WAS USED ON SOME EARLIER UNITS. SEE SERVICE BULLETIN #30015
27	342.13120	LOCKING PIN 12 X 26	ESPINA ELASTICA 12 X 26	
28	525.51053	LONG HOOK	GANCHO	
29	531.50800	SNOW THROWER SUPPORT	SOPORTE LANZANIEVE	
30	551.42076	KNOB	POMO	
31	552.50638	LEVER	PALANCA	
32	552.51822	SCREW SUPPORT	SOPORTE TORNILLO	
33	561.42548	BLOCK	CUBO	
34	561.50322	HANDLEBAR SUPPORT	SOPORTE MANUBRIO	
35	561.51055	IMPLEMENT HOOK COUPLING	ATTAQUE GANCHO APEROS	



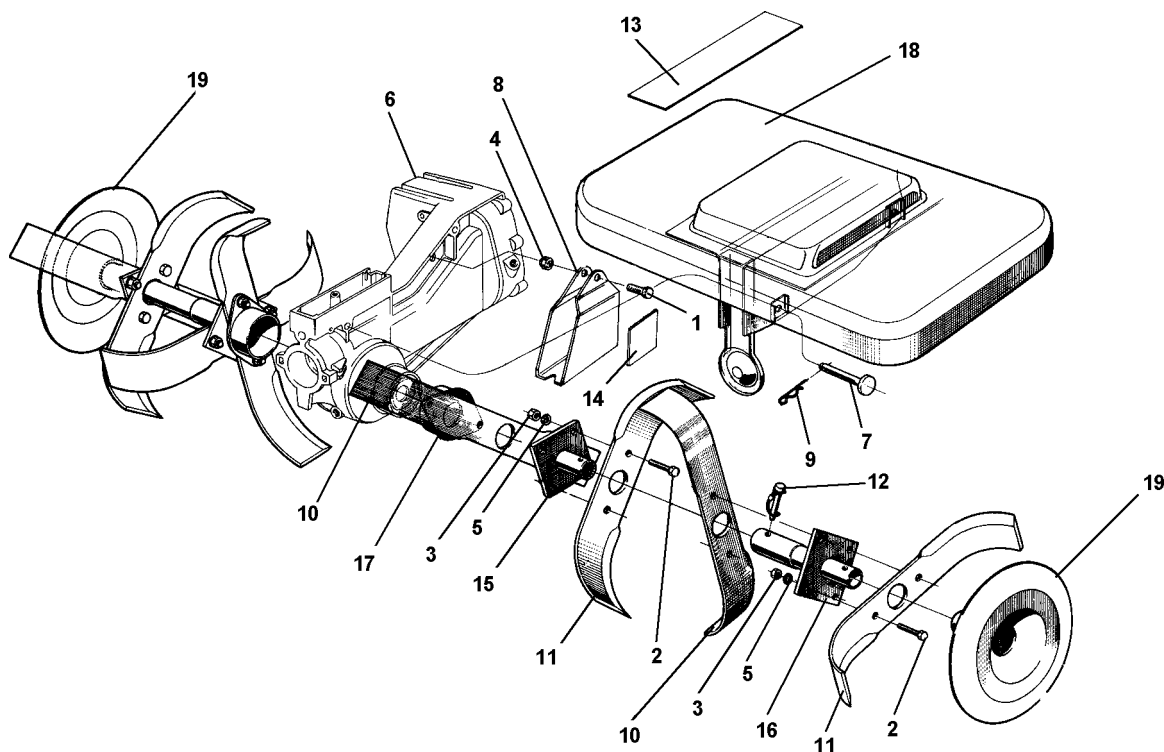
ID	PARTNO	DESCRIPTION	DENOMINACION	NOTES
36	561.51815	SLIDE DOG	CONTRASTE PATIN	
37	561.51816	SLIDE	PATIN	
38	561.51819	GEAR RING	ANILLO DENTADO	
39	561.51820	SCREW	TORNILLO	
40	561.51821	COLLAR	COLARIN	
41	561.51825	ROD EXTENSION	PROLONGACION VARILLA	
42	561.51826	FUNNEL CONTROL ROD	VARILLA MANDO CHEMINEA	
43	561.51827	ROD GUIDE	GUIA VARILLA	
44	561.51830	CLOSING PLATE	PLETINA	
45	566.49285	FLAP	DEFLECTOR	
46	580.50512	SAFETY PIN	ESPINA DE SEGURIDAD	
47	580.50533	PIN	PASADOR	
48	580.50639	HOOK	GANCHO	48 - EARLIER UNITS USED THIS SHORT SPRING HOOK. OVER ALL LENGTH 4 3/16".
49	580.50652	LONG SPRING HOOK	GANCHO A MUELLE LARGO	
50	580.50805	GASKET	GUARNICION	
51	580.51836	MUDFLAP	PROTECCION DELANTERA	49 - LATER UNITS USED THIS LONG SPRING HOOK. OVER ALL LENGTH 4 15/16".
52	580.51859	FUNNEL STICKER	ADHESIVO CHEMINEA	
53	581.49292	SCREW M10 X 25	TORNILLO M10 X 25	
54	581.50863	STICK	BASTON	
55	590.49293	FUNNEL	CHEMINEA	
56	590.50802	COVER	TAPA	
57	590.51800	SNOW THROWER CRANKCASE	CARTER QUITANIEVE	
58	590.51832	BLADE 50 CM	CUCHILLA 50 CM	
59	590.51837	MUDFLAP STOP	CONTRASTE P. PROTEC. DELANTERA	
60	590.51855	FUNNEL GRATE	PARRILLA CHEMINEA	
61	901.00700	STICKER "MADE IN ITALY"	AUTOADHESIVO "MADE IN ITALY"	



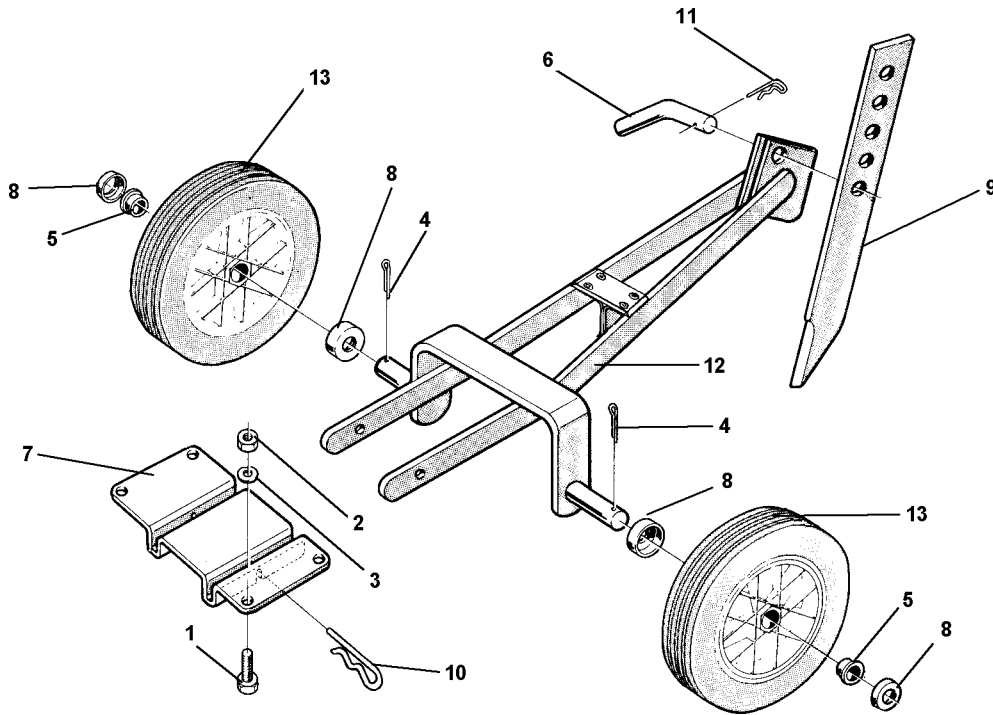
ID	PART NO	DESCRIPTION	DENOMINACION	NOTES
1	300.30010	BUSHING	CASQUILLO	
2	311.32563	SCREW TSVEI M6 X 20	TORNILLO TSVEI M6 X 20	2 - EARLIER UNITS ORIGINALLY USED A LONGER BOLT. REPLACE WITH ITEM #2.
3	312.31141	NUT M14 X 1.5	TUERCA M14 X 1.5	
4	312.41061	SELF LOCKING NUT M6	TUERCA AUTOBLOQUEANTE M6	4 - EARLIER UNITS ORIGINALLY USED A DIFFERENT LOCK NUT. REPLACE WITH ITEM #4.
5	314.11064	WASHER, FLAT 6.4	ARANDELA PLANA 6.4	5 - EARLIER UNITS ORIGINALLY USED A DIFFERENT WASHER. REPLACE WITH ITEM #5.
6	314.21401	SPRING 40 X 20.4 X 1.5	MUELLE 40 X 20.4 X 1.5	
7	314.23150	WASHER, LOCK 15	ARANDELA DE RES. 15	
8	342.13065	SPRING PIN 6 X 50	ESPINA DE RES. 6 X 50	8 - EARLIER UNITS ORIGINALLY USED A SHORTER ROLL PIN. REPLACE WITH ITEM #8.
9	351.11047	CIRCLIP, INTERN. D 47	SEEGER INT. D 47	
10	371.11201	BEARING 20 X 47 X 14 6204	BARRA 20 X 47 X 14 6204	
11	382.12004	OIL SEAL 20 X 47 X 7	CHAPA RET. ACEITE 20 X 47 X 7	
12	382.12500	OIL SEAL 25 X 40 X 7	CHAPA RET. ACEITE 25 X 40 X 7	
13	523.50808	CONICAL WHEEL	RUEDA CONICA	
14	523.50810	CONICAL WHEEL	RUEDA CONICA	
15	531.50800	SNOW THROWER SUPPORT	SOPORTE LANZANIEVE	
16	541.50762	CONE CLUTCH	ACOPLAMIENTO CONICO	
17	563.48806	STOP RING	ANILLO CONTRASTE	22 - EARLIER UNITS ORIGINALLY USED A DIFFERENT AUGER. REPLACE WITH ITEM #22.
18	565.50815	TURBINE SHAFT	EJE TURBINA	
19	581.49267	PLATE	PLETINA	
20	581.49269	RUBBER FLAP	VOLQUETE	
21	590.50809	SHAFT	ARBOL	23 - EARLIER UNITS ORIGINALLY USED A DIFFERENT AUGER. REPLACE WITH ITEM #23.
22	590.51844	R.H. TURBINE	TURBINA DERECHA	
23	590.51851	L.H. TURBINE	TURBINA IZQUIERDA	



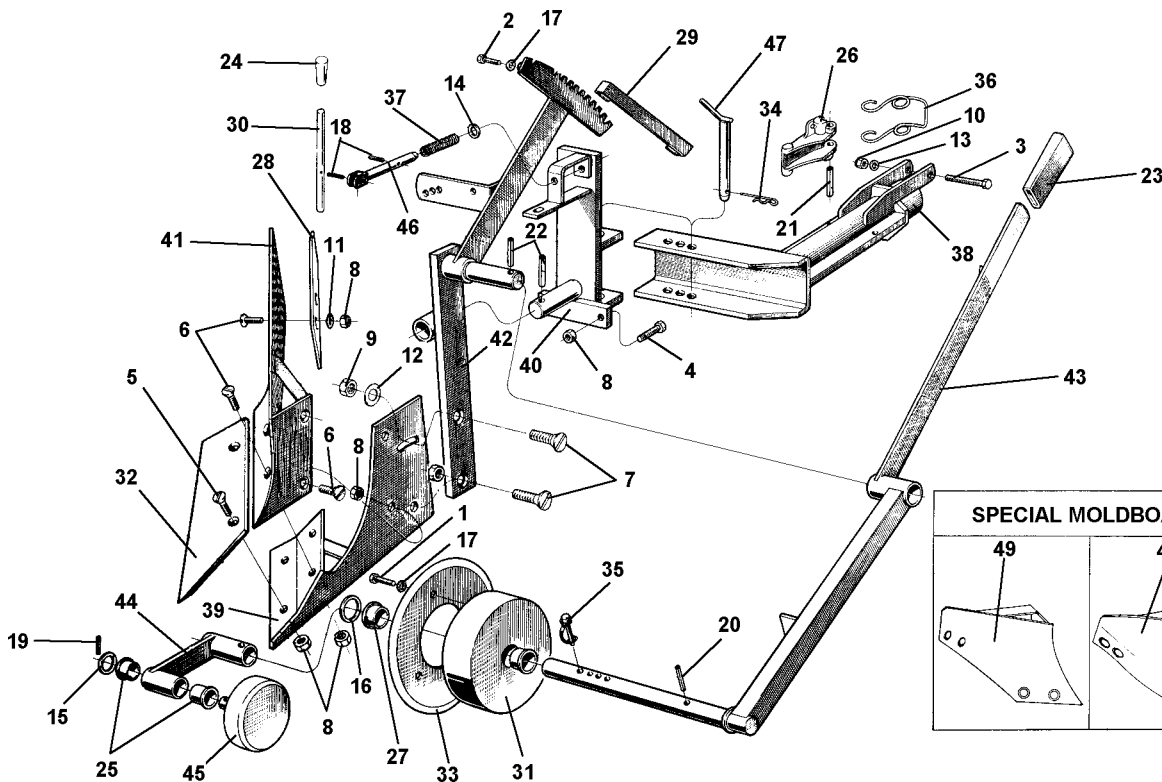
ID	PART NO	DESCRIPTION	DENOMINACION	NOTES
1	311.12151	SCREW M8 X 25	TORNILLO M8 X 25	
2	311.12152	SCREW TE M8 X 30	TORNILLO TE M8 X 30	
3	311.21801	SCREW TTQ M8 X 20 UNI 5731	TORNILLO TTQ M8 X 20 UNI 5731	
4	312.11080	NUT M8	TUERCA M8	
5	312.41080	NUT, SELF LOCKING M8	TUERCA AUTOBLOC. M8	
6	314.23084	WASHER, LOCK 8.4	ARANDELA DE RES. 8.4	
7	561.49079	ROD SUPPORT	BARRA DE FULCRO	
8	561.49081	L.H. REAR FLAP	ALA POSTERIOR IZQUIERDA	
9	561.49082	R.H. REAR FLAP	ALA POSTERIOR DERECHA	
10	563.51169	BARREL	PASADOR	
11	590.49076	CASING CENTRAL	CUERPO CENTRAL	
12	590.51165	RIDGER COUPLING	ATTAQUE SURCADORA	



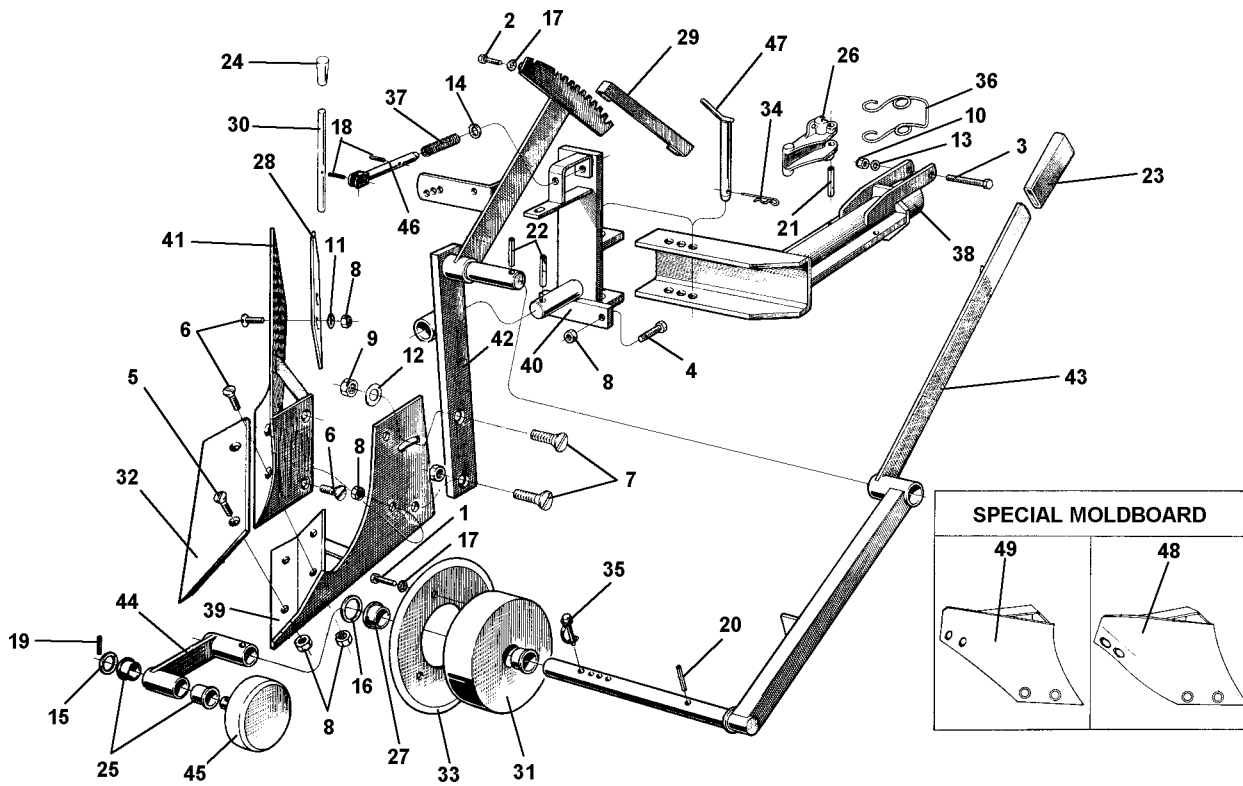
ID	PARTNO	DESCRIPTION	DENOMINACION	NOTES
1	311.11094	SCREW M6 X 28	TORNILLO M6 X 28	
2	311.11152	SCREW TE M8 X 20 UNI 5739 5S	TORNILLO TE M8 X 20 UNI 5739 5S	
3	312.11080	NUT M8	TUERCA M8	
4	312.41060	NUT, SELF LOCKING M6	TUERCA AUTOBLOC. M6	
5	314.23084	WASHER, LOCK 8.4	ARANDELA DE RES. 8.4	
6	531.50250	GEARBOX	CAJA CAMBIO	
7	561.50532	PIN	PERNO	
8	561.50594	GEARBOX PROTECTION	PROTECCION PARA CAJA CAMBIO	8 - NOT USED ON EARLIER UNITS.
9	580.43772	PIN, D 2	PASADOR CARRO D2	
10	580.50510	RIGHT KNIFE	CUCHILLO DERECHO	
11	580.50511	LEFT KNIFE	CUCHILLO IZQUIERDO	
12	580.50512	SAFETY PIN	ESPINA DE SEGURIDAD	
13	580.50579	ROTARY HOE HOOD TRANSFER	AUTOADHESIVO CAPO FRESADORA	13 - NOT USED ON EARLIER UNITS.
14	580.50595	TRANSFER FOR PROTECTION	AUTOADHESIVO PARA PROTECCION	14 - NOT USED ON EARLIER UNITS.
15	590.50500	FLANGE	BRIDA	
16	590.50504	FLANGE	BRIDA	
17	590.50518	PROTECTION	PROTECCION	
18	590.50542	COVER	CAPO	
19	590.50575	PROTECTION DISC	DISCO PROTECCION	



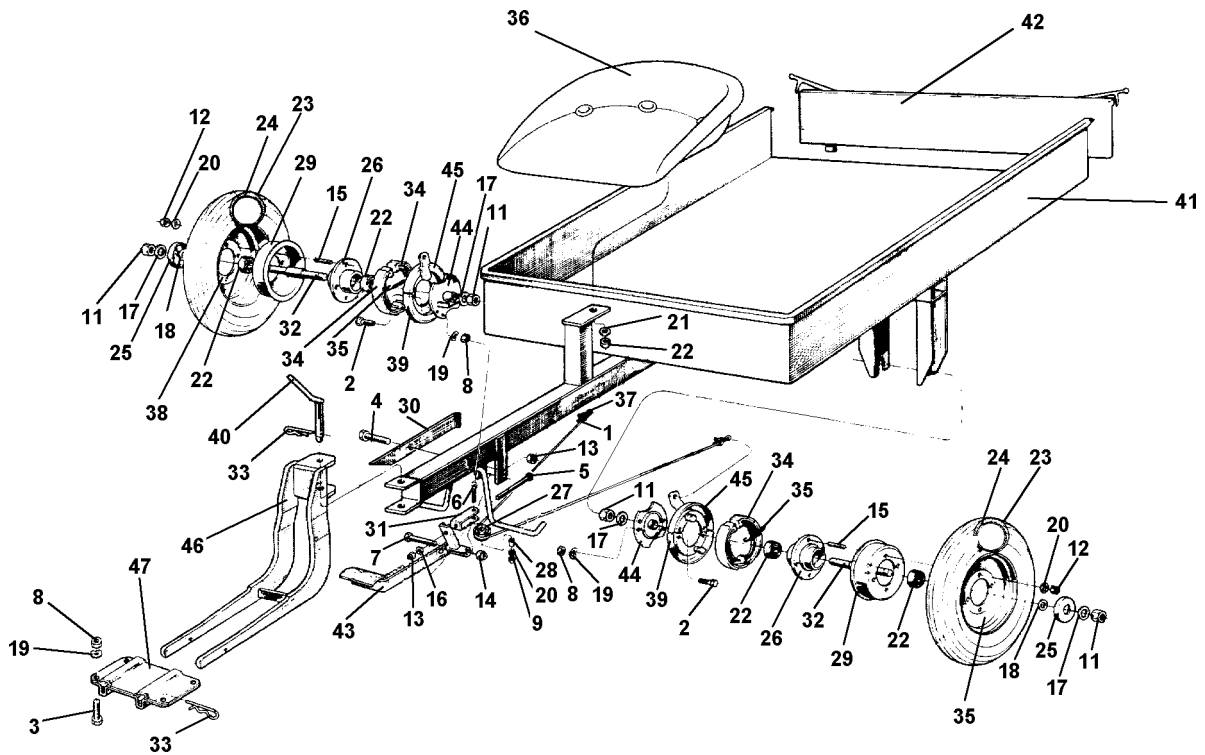
ID	PART NO	DESCRIPTION	DENOMINACION	NOTES
1	311.12153	SCREW M8 X 35	TORNILLO M8 X 35	
2	312.11080	NUT M8	TUERCA M8	
3	314.23084	WASHER, LOCK 8.4	ARANDELA DE RES. 8.4	
4	341.10041	PIN, COTTER 4 X 25	PASADOR 4 X 25	
5	552.19357	BUSH	CASQUILLO	
6	561.48625	ADJUSTMENT PIN	CLAVIJA DE REGULACION	
7	561.50514	COUPLING PLATE	PLENTIA FIJACION	
8	561.50559	PROTECTION	PROTECCION	
9	561.50572	CENTRAL KNIFE	CUCHILLO CENTRAL	
10	580.02052	PIN	CLAVITA	
11	580.50533	PIN	PASADOR	
12	590.50534	CENTRAL KNIFE SUPPORT	SOPORTE CUCHILLO	
13	590.50550	SMALL WHEEL	RUEDITA	



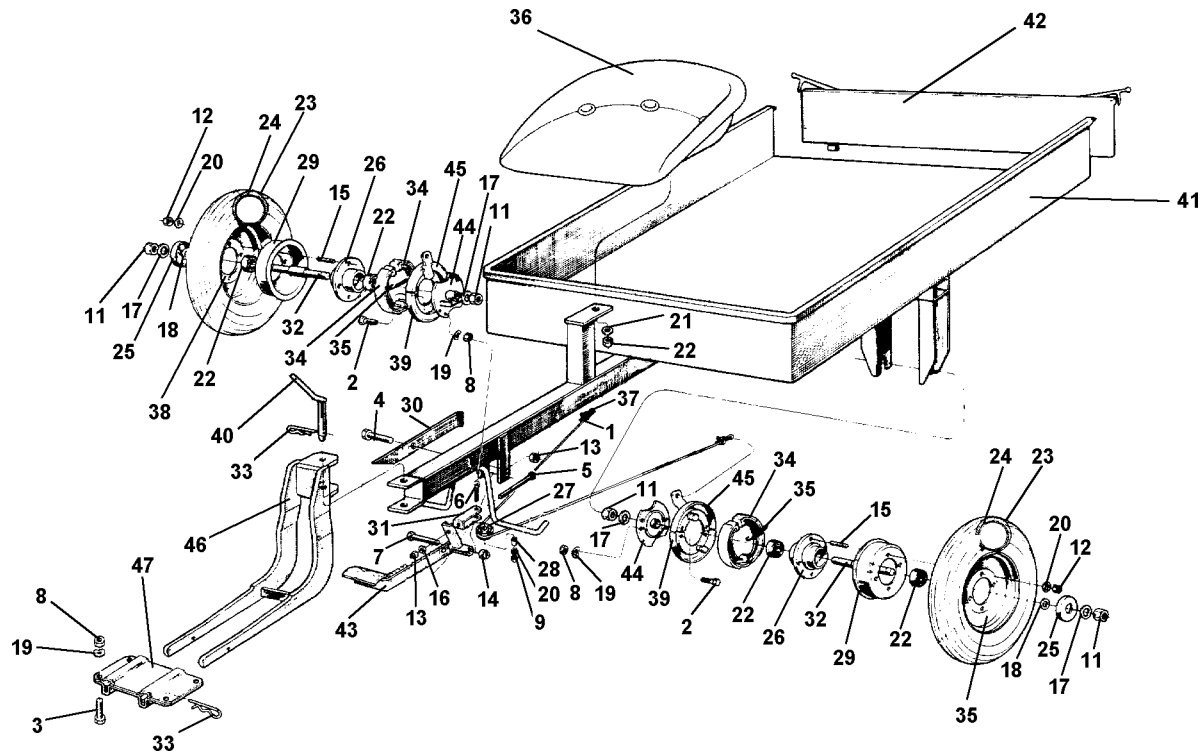
ID	PARTNO	DESCRIPTION	DENOMINACION	NOTES
1	311.11151	SCREW M8 X 16	TORNILLO M8 X 16	
2	311.12149	SCREW M8 X 12	TORNILLO M8 X 12	
3	311.12156	SCREW M8 X 60	TORNILLO M8 X 60	
4	311.12211	SCREW M10 X 30	TORNILLO M10 X 30	
5	311.31100	SCREW M10 X 22	TORNILLO M10 X 22	
6	311.31105	SCREW M10 X 25	TORNILLO M10 X 25	
7	311.31116	SCREW M12 X 35	TORNILLO M12 X 35	
8	312.11100	NUT M10	TUERCA M10	
9	312.11120	NUT M12	TUERCA M12	
10	312.41080	NUT, SELF LOCKING M8	TUERCA AUTOBLOC. M8	
11	314.11105	FLAT WASHER 10.5 X 21	ARANDELA PLANA 10.5 X 21	
12	314.11130	WASHER, FLAT 13	ARANDELA PLANA 13	
13	314.14084	WASHER, FLAT	ARANDELA PLANA	
14	314.15120	WASHER, FLAT	ARANDELA PLANA	
15	314.15164	WASHER, FLAT	ARANDELA PLANA	
16	314.15250	WASHER, FLAT 25	ARANDELA PLANA 25	
17	314.23084	WASHER, LOCK 8.4	ARANDELA DE RES. 8.4	
18	342.11040	PIN, LOCKING 4 X 20	ESPINA DE RESISTENCIA 4 X 20	
19	342.11063	PIN, LOCKING	ESPINA DE RESISTENCIA	
20	342.11064	PIN, LOCKING 6 X 40	ESPINA DE RESISTENCIA 6 X 40	
21	342.11084	PIN	PERNO	
22	342.11101	PIN	PERNO	
23	551.02714	KNOB	MANILLA	
24	551.42076	KNOB	POMO	
25	552.43904	BUSHING	CASQUILLO	
26	552.50638	LEVER	PALANCA	
27	552.50938	BUSHING	CASQUILLO	
28	561.50901	PLATE	PLETINA	
29	561.50929	LEVER PROTECTOR	PROTECCION PALANCA	
30	561.50942	ADJUSTING LEVER	PALANCA REGULACION	
31	561.50947	SKIM COULTER	DISCO PRDS	
32	563.50923	SHARE	CUERPO	
33	563.50948	DISC	DISCO	
34	580.02052	PIN	PERNO	
35	580.50512	SAFETY PIN	ESPINA DE SEGURIDAD	



ID	PARTNO	DESCRIPTION	DENOMINACION	NOTES
36	580.50639	HOOK	GANCHO	
37	580.50946	SPRING	MUELLE	
38	590.50902	PLOW COUPLING	ACOPLAMIENTO ARADO	
39	590.50908	MOLDBOARD SUPPORT	SOPORTE MORDAZA SILLONNEUR	
40	590.50909	CENTRAL SUPPORT COUPLING	ACOPLAMIENTO CENTRAL SOPORTE	
41	590.59015	MOLDBOARD	MORDAZA SILLONNEUR	
42	590.50916	CENTRAL SUPPORT	SOPORTE CENTRAL	
43	590.50924	LEVER	PALANCA	
44	590.50930	WHEEL SUPPORT	SOPORTE RUEDA	
45	590.50935	WHEEL	RUEDA	
46	590.50939	FORK PIN	PERNO HORQUILLA	
47	590.50943	COUPLING PIN	PERNO ACOPLAMIENTO	
48	590.50960	SPECIAL MOLDBOARD	SILLONNEUR ESPECIAL	
49	590.50964	SPECIAL MOLDBOARD	SILLONNEUR ESPECIAL	



ID	PARTNO	DESCRIPTION	DENOMINACION	NOTES
1	300.00021	CABLE CLAMP	BRIDA CABLE	
2	311.12148	SCREW M8 X 14	TORNILLO M8 X 14	
3	311.12154	SCREW	TORNILLO	
4	311.12156	SCREW	TORNILLO	
5	311.12175	SCREW M8 X 115	TORNILLO M8 X 115	
6	311.12211	SCREW M10 X 30	TORNILLO M10 X 30	
7	311.12274	SCREW	TORNILLO	
8	312.11080	NUT M8	TUERCA M8	
9	312.11100	NUT M10	TUERCA M10	
10	312.11120	NUT M12	TUERCA M12	
11	312.11140	NUT M14 UNI 5588-5S	TUERCA M14 UNI 5588-5S	
12	312.21100	NUT M10	TUERCA M10	
13	312.41080	NUT, SELF LOCKING M8	TUERCA AUTOBLOC. M8	
14	312.41120	NUT, SELF LOCKING M12	TUERCA AUTOBLOC. M12	
15	313.12102	STUD M10 X 40 X 22 X 14	PRISIONERO M10 X 40 X 22 X 14	
16	314.11084	WASHER, FLAT 8.4	ARANDELA PLANA 8.4	
17	314.11150	WASHER, FLAT 15	ARANDELA PLANA 15	
18	314.14150	FLAT WASHER	ARANDELA PLANA	
19	314.23084	WASHER, LOCK 8.4	ARANDEL DE RES. 8.4	
20	314.23105	WASHER, LOCK 10.5	ARANDELA DE RES. 10.5	
21	314.23130	WASHER, LOCK 13	ARANDELA DE RES. 13	
22	371.13151	BEARING 6202 Z 15 X 35 X 11	COJINETE 6202 Z 15 X 35 X 11	
23	392.21203	TIRE	ARBIERTA	
24	394.21203	TUBE	CAMARA DE AIRE	
25	521.51236	OUTSIDE HUB	CUBO EXTERIOR	
26	521.51241	HUB	CUBO	
27	552.20363	BRAKE PULLEY	POLEA FRENO	
28	561.20364	BUSHING	CASQUILLO	
29	561.48218	BRAKE DRUM	CONO FRENO	
30	561.51224	STOP PLATE	PLETINA CONTRASTE	
31	561.51227	PULLEY FORK	HORQUILLA POLEA	
32	563.51239	WHEEL SHAFT	ARBOL RUEDA	
33	580.02052	SPRING PIN	PERNO MUELLE	
34	580.48214	BRAKE SHOE	ZAPATO FRENO	
35	580.48215	SPRING	MUELLE	



ID	PARTNO	DESCRIPTION	DENOMINACION	NOTES
36	580.48791	SEAT	ASIENTO	
37	580.51230	BRAKE CABLE	CABLE FRENO	
38	580.51240	WHEEL	RUEDA	
39	590.48208	BRAKE DISC	DISCO FRENO	
40	590.48697	PIN	PERNO	
41	590.51200	TRAILER BED	CAMA TRAILER	
42	590.51211	TRAILGATE	PUERTA TRAILER	
43	590.51219	PEDAL	PEDAL	
44	590.51244	INSIDE RIGHT FLANGE	BRIDA INT. DERECHO	
45	590.51252	BRAKE DISC WITH SUPPORT	DISCO FRENO CON SOPORTE	
46	590.51260	TOWBAR	ARRASTRE	
47	590.51264	TOWBAR SUPPORT	SOPORTE ARRASTRE	