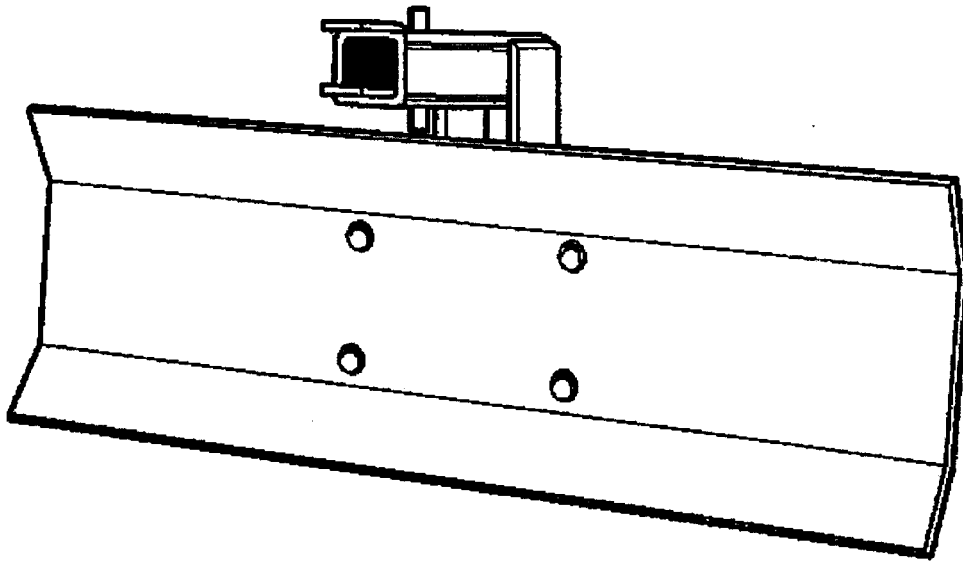


Owner's Manual for Plows,
Hiller/Furrowers and Dozer Blades.



BCS Part #OMPFHDB

PLOUGHS

Besides the two-wheel tractors, it is possible to fit these implements also to the motor mowers 603-605, turning the handle-bar steering column as instructed under IMPLEMENTS, page 17.

The ploughs developed for the BCS two-wheel tractors were especially designed to afford plowing without excessively tiring the operator.

They come in two types: one-bottom and 180° swivel. The latter type is for use in ridging or cultivating in vineyard or orchard rows.

The obtained depth of the furrow can be varied from 6" to 10" cm depending on the soil. To do good work with these ploughs, it is advisable to mount 12" pneumatic wheels for 715-725-735-737-603-605 and 15" pneumatic wheels for 745. Ballasts can also be mounted to increase adherence and the obtainable depth (see Wheel Ballasts, page 65).

To compensate the difference in diameter of the 6-15 wheels, coupling A (fig. 49-50) between the plow and the machine is unsymmetrical so that by disconnecting it from the implement and turning it 180°, it will compensate the difference between the two wheels.

To do the best work, the surface of the moldboard should be polished. During the first few hours of work the paint on it may hinder scouring of the earth from the moldboard.

When working, always keep the moldboard shape vertical by adjusting the tilt of the plow so as to obtain a clean cut in the soil.

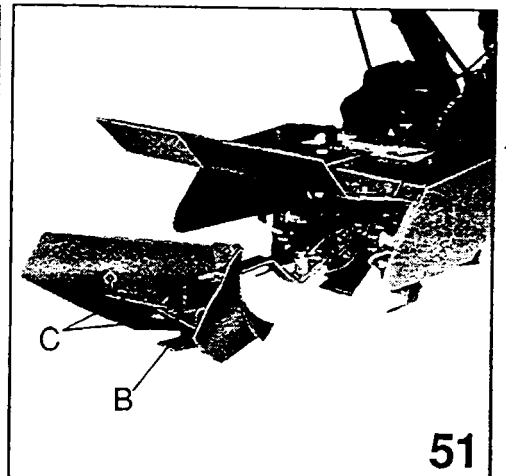
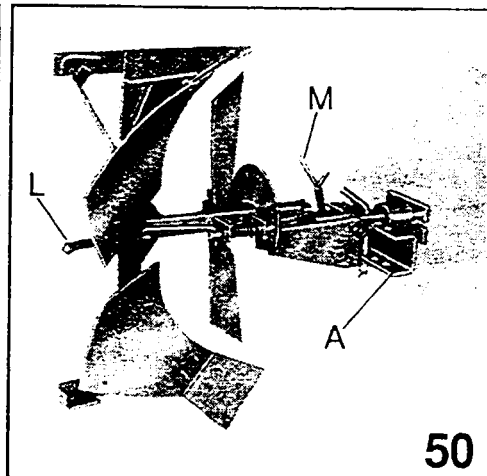
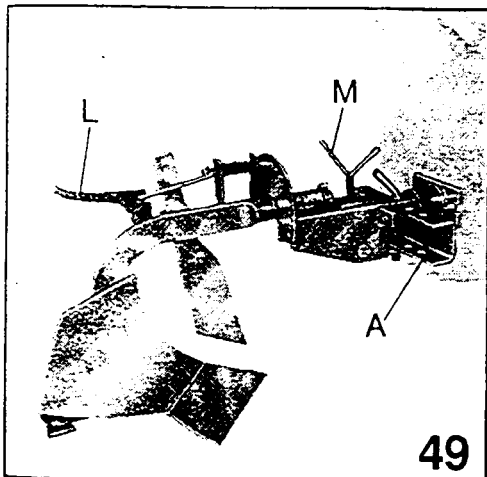
To regulate plowing depth, use front lever M (fig. 49-50) which changes the angle of the plow with the ground: turning it clockwise increases depth while turning it counter clockwise decreases depth.

Plough tilt is adjusted by means of lever L that controls the locking latch.

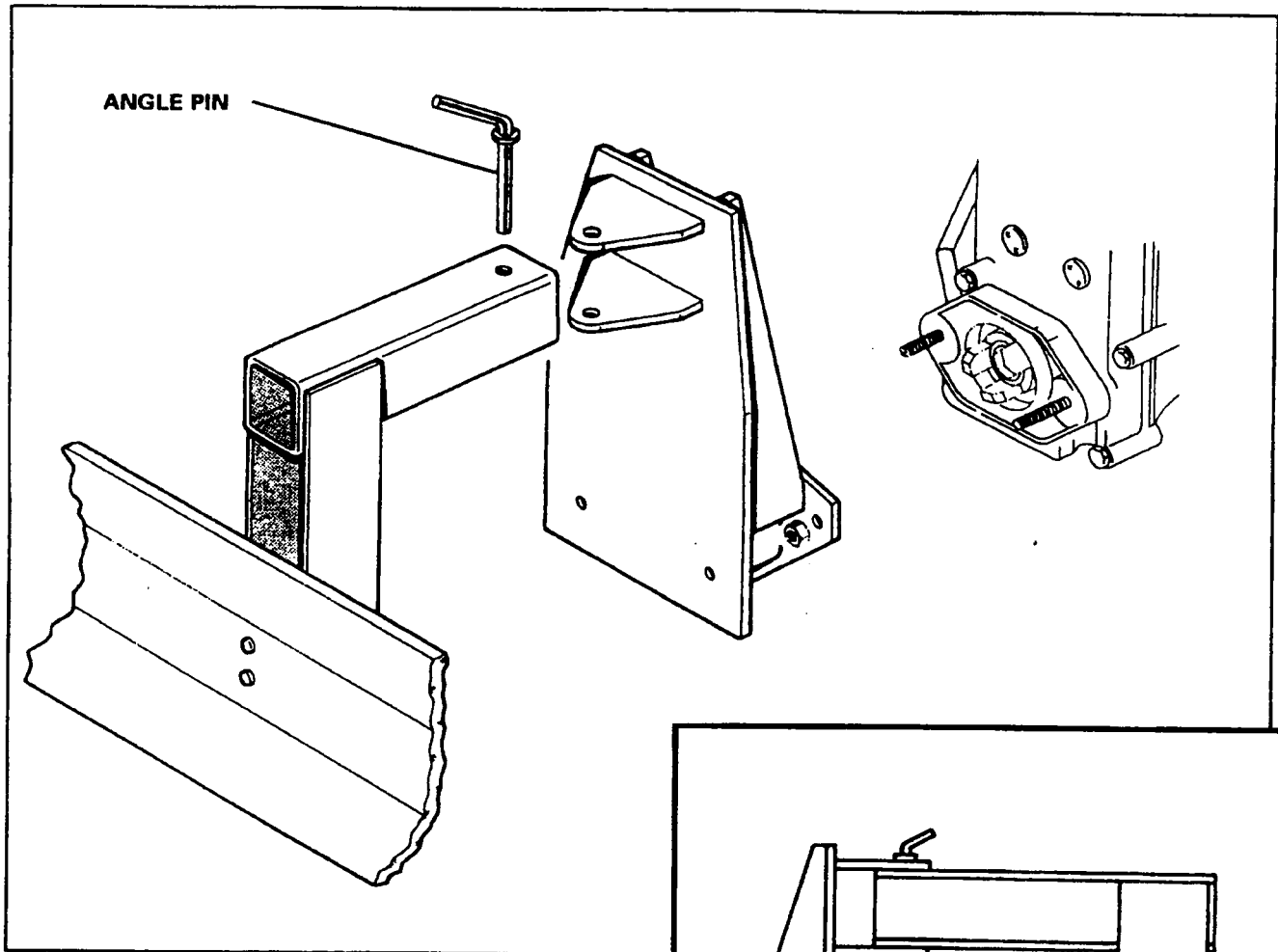
MAINTENANCE: Before putting away the plough for a long period it is advisable to oil the polished surfaces of the ploughshare to prevent rusting.

ADJUSTABLE RIDGER ADAPTABLE BEHIND ROTARY HOE

It makes furrows for seed and irrigation and is mounted behind the rotary hoe without removing the cover. The furrow depth is adjusted by raising (deeper) or lowering (less deep) slide B. The width is adjusted by changing the wing position by means of tierods C (fig. 51).



USE AND CARE OF DOZER BLADE



The Dozer Blade can be used either in front or behind the unit. It also can be set to doze material straight ahead or to either side.

The choice of best mounting position and best angle can be made after experimentation with the dozer blade, and will vary with the condition of the soil, snow or whatever material is to be moved or spread.

Consider installation of wheel weights when maximum traction is needed.

Instruction for assembly and use come with the Dozer Blade.

The models have an integral mounting bracket .

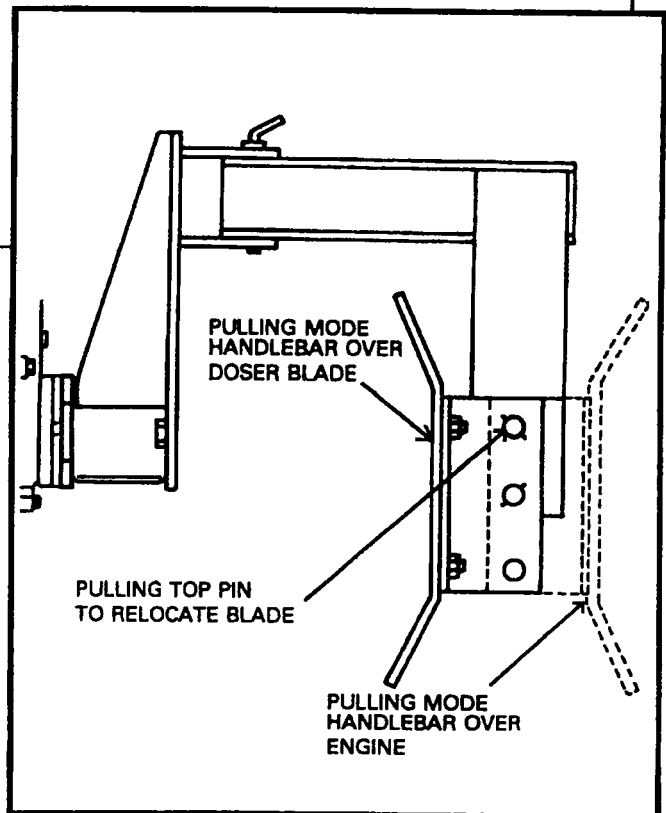
The unit was shipped with a plate covering the PTO. Put this plate back on the PTO studs before mounting the angle bracket on the studs.

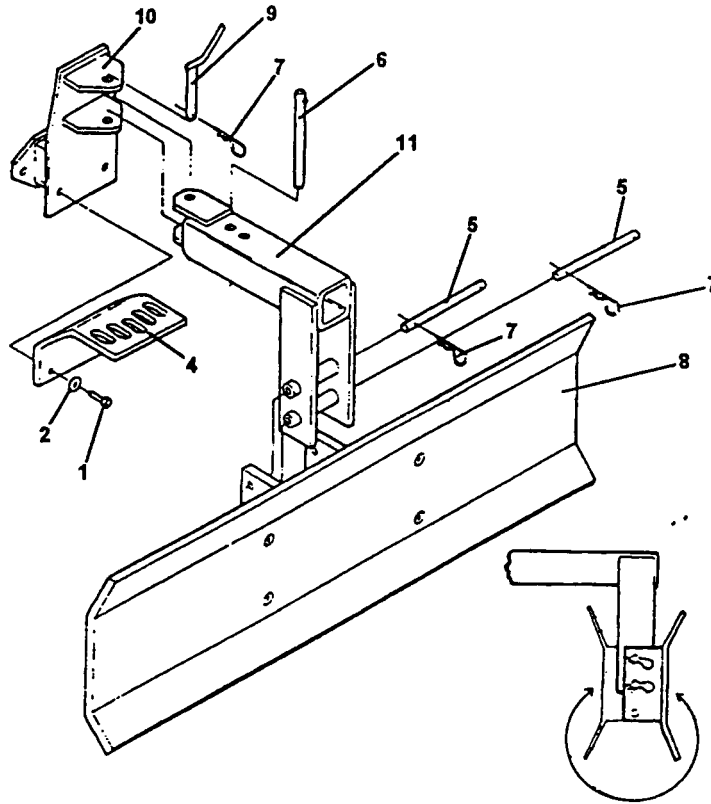
Do not tighten the nuts at this time .

Fit the dozer blade tongue over the hitch (or special bracket) on the unit, and drop the hitch pin through the holes.

Drop the angle pin through the tongue hole into one of the slots in the angle bracket.

Now tighten the PTO stud nuts.





ID	PART NO	DESCRIPTION	DENOMINACION	NOTES
1	311.12264	SCREW	TORNILLO	
2	314.21130	FLAT WASHER	ARANDELA PLANA	
3	342.11040	LEVER	PALANCA	
4	561.58302	ANGLE BRACKET	SOPORTE	
5	561.58305	PIN, BLADE	PERNO, CUCHILLO	
6	561.58306	PIN, ANGLE BRACKET	PERNO, SOPORTE	
7	580.02052	HAIR PIN	PERNO	
8	580.58304	BLADE	CUCHILLO	
9	590.42768	PIN, HITCH	PERNO	
10	590.58300	MOUNTING BRACKET	SOPORTE	
11	590.58303	FRAME	SOPORTE	

