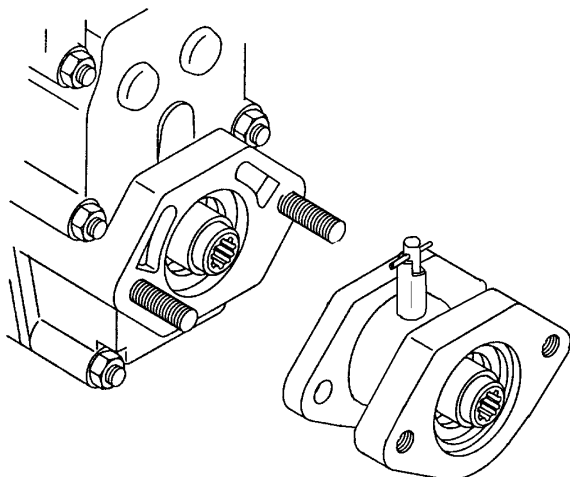


SUBJECT: QUICK HITCH IDENTIFICATION

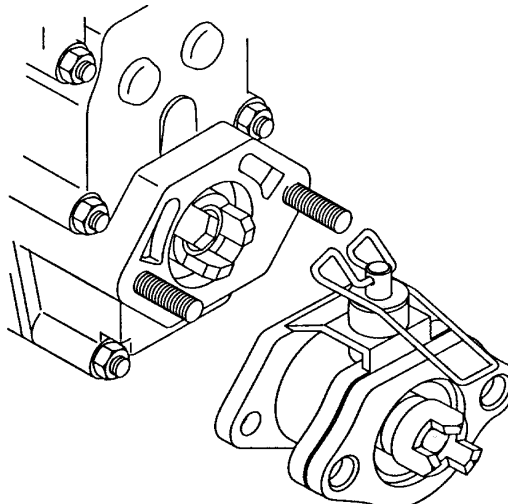
We have had some requests from the field for an identification sheet for the different Quick Hitches that BCS offers. The following shows the end of the quick hitch and which tractor it fits.

1994 & Earlier Models
715, 725, 735, 737, 602, 604, 605



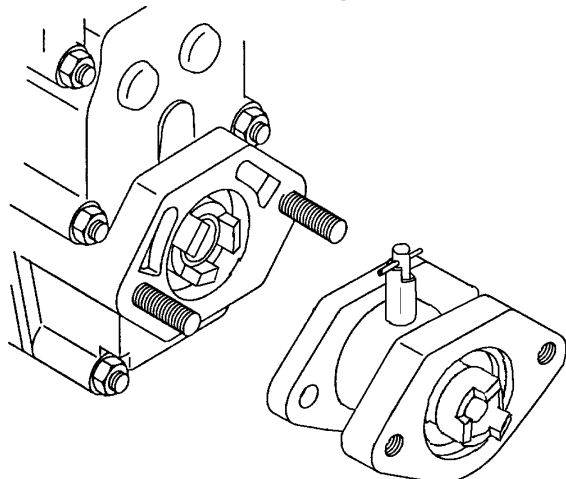
Quick Hitch #922.49825
Tang For Quick Hitch #922.49833
For 20" to 30" Tillers, 30" to 53" Sickle Bar Mowers, Chipper/Shredders, Sweepers, 22" Lawn Mowers, 24" to 28" Snow Throwers

1995 & Later Models
710, 716, 720, 730, 830, 850



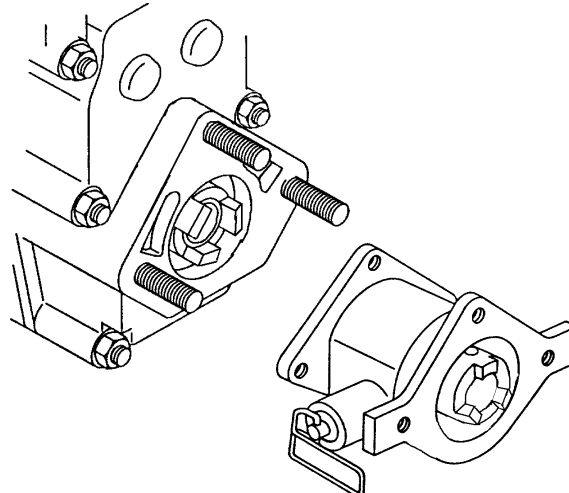
Quick Hitch #922.90825
Tang For Quick Hitch #922.90826
For All 1995 & Later Attachments, w/tapered 3-dog coupler

1994 & Earlier Models
735, 737, 604, 605 With a 3-Dog PTO Coupler



Quick Hitch #922.49820
Tang For Quick Hitch #922.49034
For 30" to 40" Mowers With a flat 3-Dog PTO Coupler

Except For 745 & 945 Attachments



Models 745 & 945
Quick Hitch #922.55000
Tang For Quick Hitch #922.55006
For 33" & 34" Tillers, 32" Snow Throwers, 30" & 38" Mowers, Chipper /Shredders, Sweepers