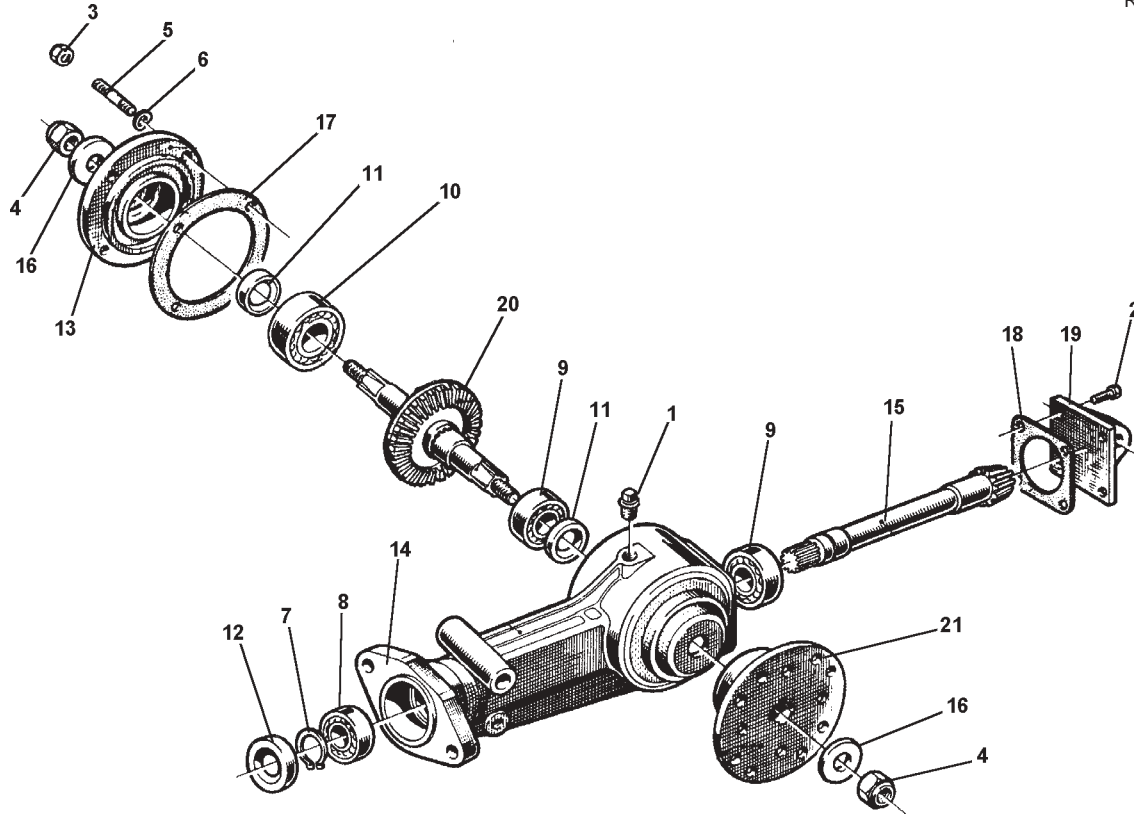
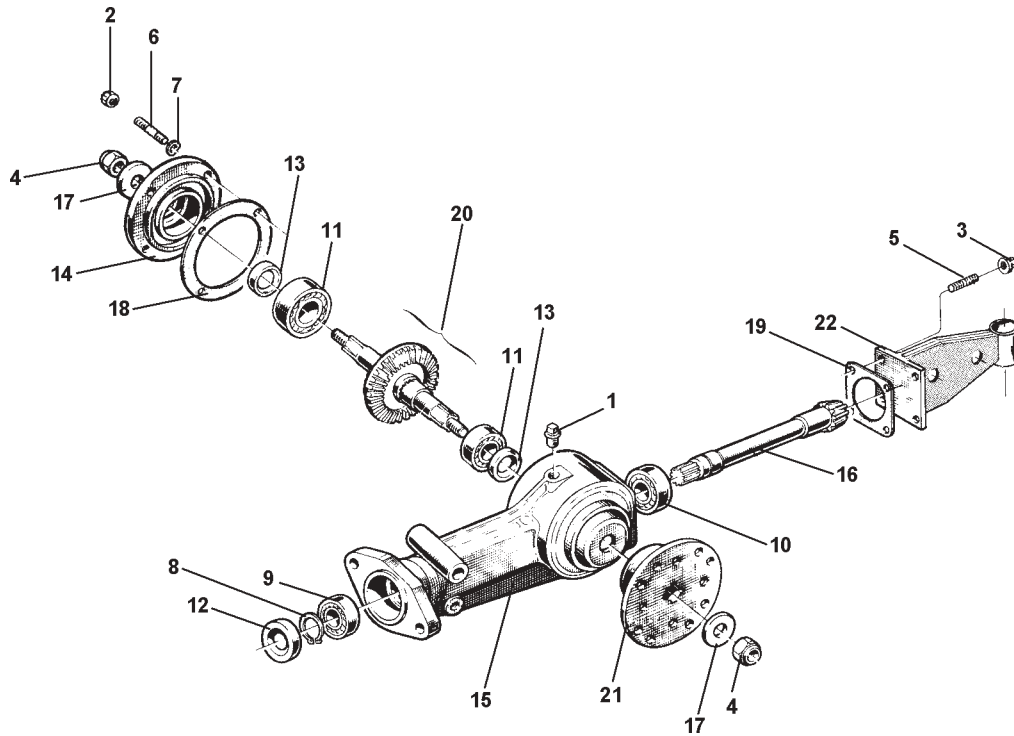




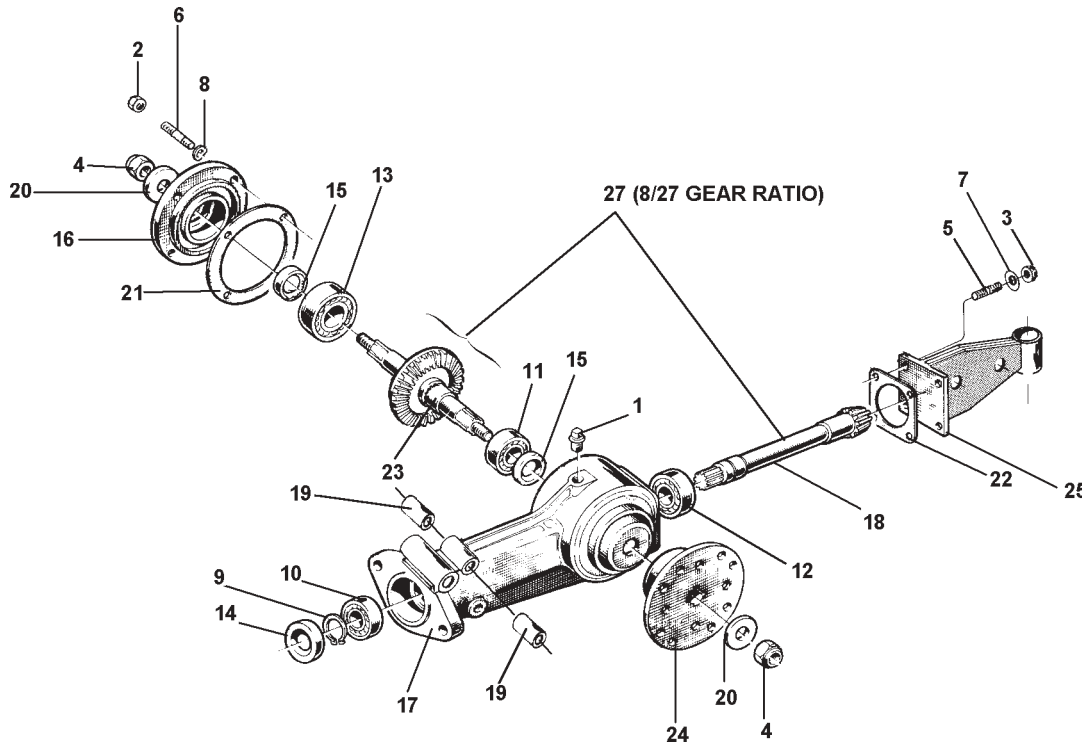
A M E R I C A



ID	PART NO	DESCRIPTION	DENOMINACION	NOTES
1	300.40001	PLUG 1/4	TAPON 1/4	THIS IS THE TILLER GEAR BOX FOR THE BCS TILLER PRODUCED BEFORE 1984. IT CAN BE IDENTIFIED BY THE DEPTH CONTROL IS LOCATED UNDER THE TILLER HOOD. THE TILLER TINE SHAFT IS ALSO 3/4" IN DIAMETER
2	311.12090	SCREW M6 X 16	TORNILLO M6 X 16	
3	312.41080	NUT, SELF LOCKING M 8	TUERCA AUTOBLOC. M8	
4	312.41120	NUT, SELF LOCKING M12	TUERCA AUTOBLOC. M12	
5	313.12078	STUD M8 X 32 X 14 X14	PRISIONERO M8 X 32 X 14 X14	
6	314.23084	WASHER, LOCK 8.4	ARANDELA DE RES. 8.4	
7	351.21020	CIRCLIP EXTERNAL	SEEGER EXT.	
8	371.11200	BEARING M20 X 47 X 14	COJINETE M20 X 47 X 14	
9	371.11201	BEARING M20 X 47 X 14	COJINETE M20 X 47 X 14	
10	371.11202	BEARING M20 X 52 X15	COJINETE M20 X 52 X15	
11	382.12001	OIL SEAL M20 X 35 X7	CHAPA RET. M20 X 35 X7	
12	382.12003	OIL SEAL M20 X 42 X 7	CHAPA RET. M20 X 42 7	
13	511.43406	COUPLING	BRIDA	
14	512.43402	GEAR CASE	CUERPO CENTRAL FRESADORA	
15	524.48404	PINION SHAFT	PINON CONICO	
16	563.48417	SUPER WASHER	ARANDELA	
17	580.43407	GASKET	GUARNICION	
18	580.43419	GASKET	GUARNICION	
19	590.43416	END COVER	TAPA POSTERIOR FRESADORA	
20	590.48413	BEVELED GEAR	ARBOL CON CORONA	
21	590.48419	TINE HUB	BRIDA PORTA-CUCHILLOS	

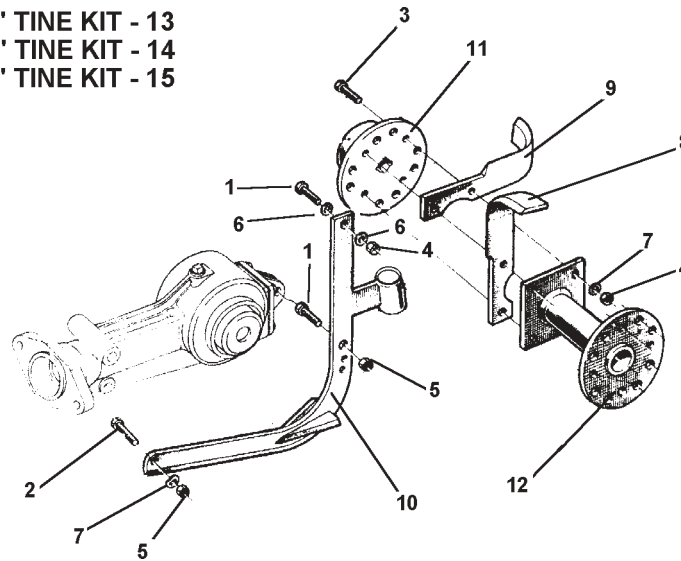


ID	PARTNO	DESCRIPTION	DENOMINACION	NOTES
1	300.40001	PLUG 1/4 GAS	TAPON 1/4 GAS	
2	312.41080	NUT, SELF LOCKING M8	TUERCA AUTOBLOC. M8	
3	312.41084	NUT	TUERCA	
4	312.41141	NUT, SELF LOCKING M14 STANDARD	TUERCA AUTOBLOC. M14 NORMAL	
5	313.12078	STUD M8 X 32 X 14 X 14	PRISIONERO M8 X 32 X 14 X 14	
6	313.12081	STUD M8 X 38 X 16 X 16	PRISIONERO M8 X 38 X 16 X 16	
7	314.23084	WASHER, LOCK 8.4	ARANDELA DE RES. 8.4	
8	351.21020	CIRCLIP EXTERN. D 20	SEEGER EXT. D 20	
9	371.11200	BEARING 20 X 42 X 12 6004	COJINETE 20 X 42 X 12 6004	
10	371.11201	BEARING 20 X 47 X 14 6204	COJINETE 20 X 47 X 14 6204	
11	371.11255	BEARING 25 X 52 X 15 6205	COJINETE 25 X 52 X 15 6205	
12	382.12003	SEAL, OIL 20 X 42 X 7 STANDARD	CHAPA RET. AC. 20 X 42 X 7 NORM.	
13	382.12503	OIL SEAL	CHAPA RET. ACEITE	
14	511.48428	COUPLING	BRIDA	
15	512.48427	CASING OF ROTARY HOE 80 CM	CUERPO CENTRAL FRESADORA 80	
16	524.48404	PINION CONICAL	PINON CONICO Z 9	16 & 20 - THIS TILLER GEAR BOX HAS A PINION GEAR WITH 9 TEETH AND A BEVELED GEAR WITH 30 TEETH. WHEN REPLACING BOTH GEARS USE PART NUMBER 593.48409.
17	561.48438	WASHER	ARANDELA	
18	580.43407	GASKET	GUARNICION	
19	580.49859	ROTARY HOE GASKET	GUARNICION FRESADORA	
20	590.48430	SHAFT WITH GEAR	ARBOL CON CORONA	
21	590.48435	BLADE HOLDER FLANGE D 25	BRIDA PORTA-CUCHILLOS	
22	590.49853	REAR COVER FOR ROTARY HOE	TAPA POSTERIOR FRESADORA	

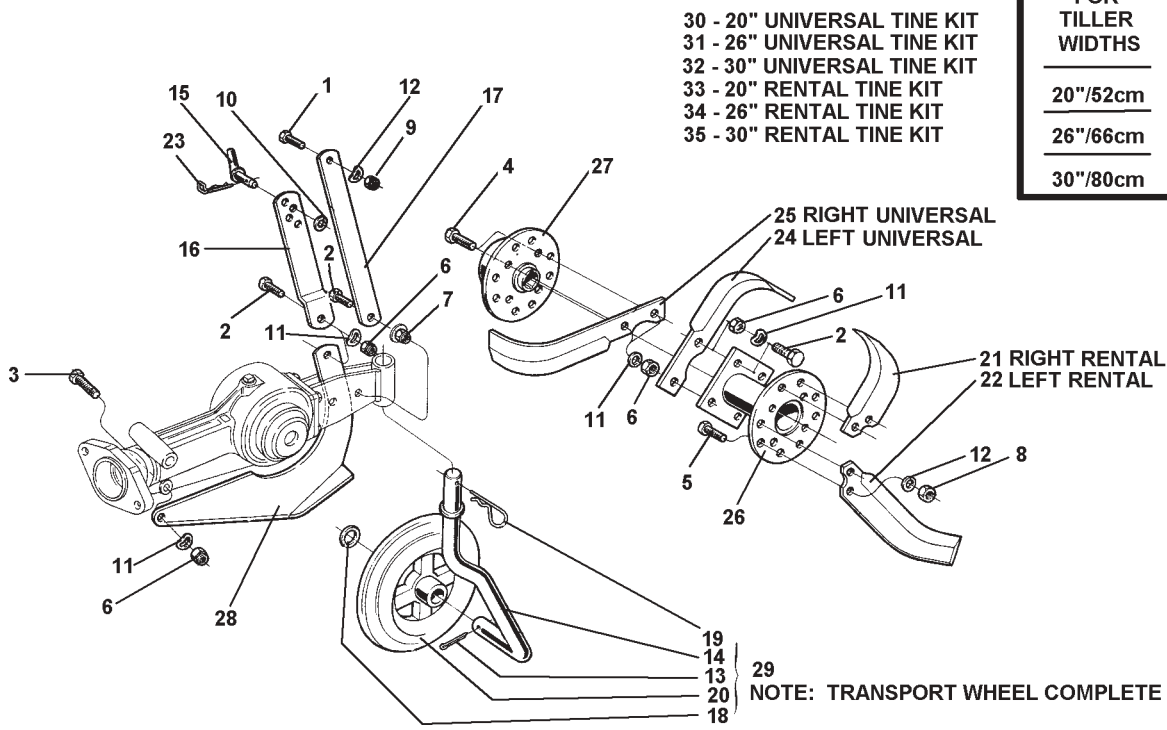


ID	PARTNO	DESCRIPTION	DENOMINACION	NOTES
1	300.40001	PLUG 1/4	TAPON 1/4	<p>3 & 7 - OLDER UNITS DID NOT USE A WASHER. USE ITEMS 3 & 7 ON A REPAIR.</p> <p>2 & 6 - OLDER UNITS USED A BOLT. THIS STUD AND NUT REPLACES THE BOLT.</p> <p>19 - SPACERS ARE USED TO MAKE GEAR BOX ASSEMBLY WORK ON OLDER UNITS. SEE SERVICE BULLETIN #30021. NEWER TILLERS DO NOT USE THESE SPACERS.</p> <p>18, 23 & 27 - THIS TILLER GEAR BOX HAS A PINION GEAR WITH 8 TEETH AND A BEVELED GEAR WITH 27 TEETH.</p>
2	312.41080	NUT, SELF LOCKING M8	TUERCA AUTOBLOC. M8	
3	312.41085	NUT	TUERCA	
4	312.41141	NUT, SELF LOCKING M14 STANDARD	TUERCA AUTOBLOC. M14 NORMAL	
5	313.12078	STUD M8 X 32 X 14 X 14	PRISIONERO M8 X 32 X 14 X 14	
6	313.12081	STUD M8 X 38 X 14 X 14	PRISIONERO M8 X 32 X 14 X 14	
7	314.21083	SUPER WASHER 8 DIN	SUPER ARANDELA 8 DIN	
8	314.23084	WASHER, LOCK 8.4	ARANDELA DE RES. 8.4	
9	351.21020	CIRCLIP EXTERN. D 20	SEEGER EXT. D 20	
10	371.11200	BEARING 20 X 42 X 12 6004	COJINETE 20 X 42 X 12 6004	
11	371.11255	BEARING 25 X 52 X 15 6205	COJINETE 25 X 52 X 15 6205	
12	371.41201	BEARING 20 X 47 X 14 7204 B	COJINETE 20 X 47 X 14 7204 B	
13	371.41250	BEARING	COJINETE	
14	382.12003	OIL SEAL 20 X 42 X 7 STANDARD	CHAPA RET. AC. 20 X 42 X 7 NORM.	
15	382.12503	OIL SEAL	CHAPA RET. ACEITE	
16	511.48428	COUPLING	BRIDA	
17	512.48405	ROTARY HOE CENTRAL ASSEMBLY	CUERPO CENTRAL FRESADORA	
18	524.48407	PINION SHAFT	PINION CONICO	
19	561.43464	SPACER	SEPARADOR	
20	561.48438	WASHER	ARANDELA	
21	580.43407	GASKET	GUARNICION	
22	580.49859	ROTARY HOE GASKET	GUARNICION FRESADORA	
23	590.48408	SHAFT WITH GEAR	ARBOL CON CORONA	
24	590.48435	BLADE HOLDER FLANGE	BRIDA PORTA-CUCHILLOS	
25	590.49853	REAR COVER FOR ROTARY HOE	TAPA POSTERIOR FRESADORA	
26	592.48410	GEAR BOX COMPLETE/ROCKGUARD	CAJA CAMBIO COMPLETO	
27	593.48409	PINION AND GEAR SHAFT SET	BARRA CONICO Z	

20" TINE KIT - 13
26" TINE KIT - 14
30" TINE KIT - 15



ID	PART NO	DESCRIPTION	DENOMINACION	NOTES
1	311.12151	SCREW M8 X 25	TORNILLO M8 X 25	<p>THIS IS THE TILLER PRODUCED BEFORE 1984. IT CAN BE IDENTIFIED BY THE DEPTH CONTROL IS LOCATED UNDER THE TILLER HOOD. THE TILLER TINE SHAFT IS ALSO 3/4" IN DIAMETER</p> <p>11 & 12 - TINE HUB AND SPACER HAD FOUR BOLT HOLES ON OLDER TILLERS. THESE PARTS REPLACE ALL OLDER VERSIONS.</p>
2	311.12152	SCREW M8 X 30	TORNILLO M8 X 30	
3	311.12153	SCREW M8 X 35	TRONILLO M8 X 35	
4	312.11080	NUT M8	TUERCA M8	
5	312.41080	NUT, SELF LOCKING M8	TUERCA AUTOBLOC. M8	
6	314.11084	WASHER, FLAT 8.4	ARANDELA PLANA 8.4	
7	314.23084	WASHER, LOCK 8.4	ARANDELA DE RES. 8.4	
8	580.43431	TINE, LEFT	CUCHILLA IZQUIERDA	
9	580.43432	TINE, RIGHT	CUCHILLA DERECHO	
10	590.43422	CENTRAL KNIFE	CUCHILLA CENTRAL	
11	590.48419	TINE HUB	BRIDA PORTA-CUCHILLOS	
12	590.48422	TINE SPACER	SEPARADOR	
13	T20S83	TINE KIT 20"	20" COMPLETO UNIVERSAL DIENTE	
14	T26S83	TINE KIT 26"	26" COMPLETO UNIVERSAL DIENTE	
15	T30S83	TINE KIT 30"	30" COMPLETO UNIVERSAL DIENTE	



- 30 - 20" UNIVERSAL TINE KIT
- 31 - 26" UNIVERSAL TINE KIT
- 32 - 30" UNIVERSAL TINE KIT
- 33 - 20" RENTAL TINE KIT
- 34 - 26" RENTAL TINE KIT
- 35 - 30" RENTAL TINE KIT

**FOR
TILLER
WIDTHS**

20"/52cm

26"/66cm

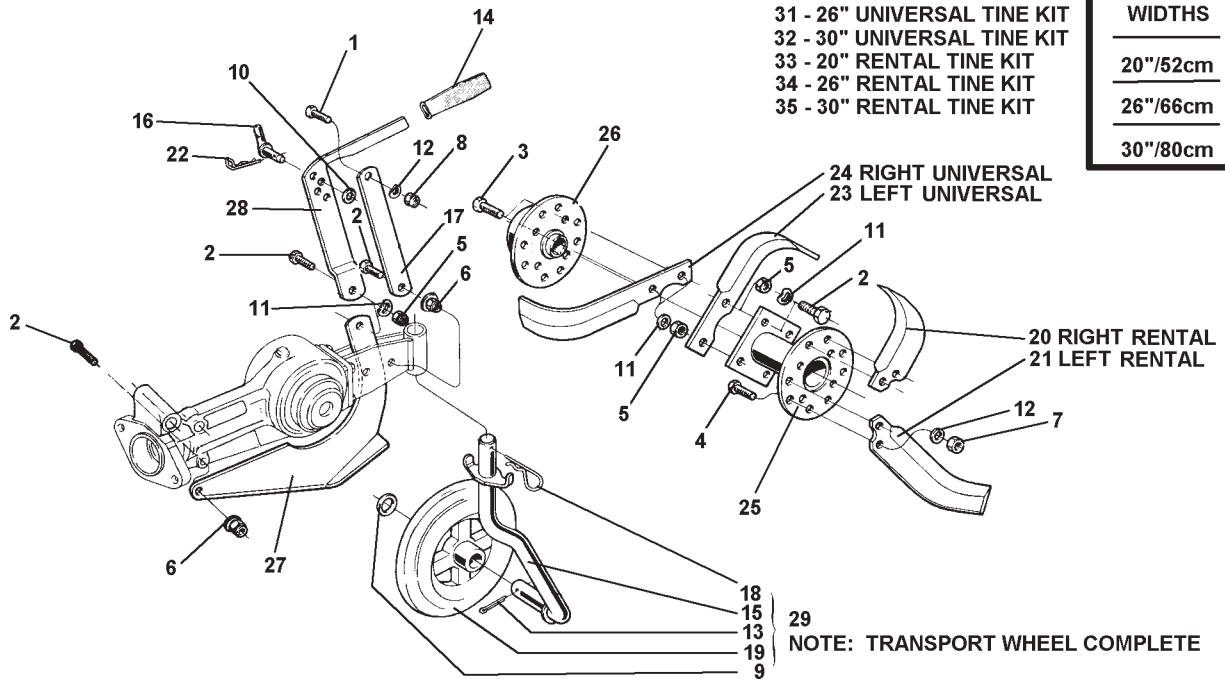
30"/80cm

25 RIGHT UNIVERSAL
24 LEFT UNIVERSAL

21 RIGHT RENTAL
22 LEFT RENTAL

19 14 13 20 18 } NOTE: TRANSPORT WHEEL COMPLETE

ID	PARTNO	DESCRIPTION	DENOMINACION	NOTES
1	311.11212	SCREW TE M10 X 25	TORNILLO TE M10 X 25	
2	311.12151	SCREW M8 X 25	TORNILLO M8X 25	
3	311.12152	SCREW TE M8 X 30	TORNILLO TE M8 X 30	
4	311.12153	SCREW M8 X 35	TORNILLO M8 X 35	
5	311.12219	SCREW TE M10 X 25 UNI 5739-8G	TORNILLO TE M10 X 25 UNI 5739-8G	
6	312.41080	NUT, SELF LOCKING M8	TUERCA AUTOBLOC. M8	
7	312.41084	NUT	TUERCA	
8	312.41100	NUT, SELF LOCKING M10	TUERCA AUTOBLOC. M10	
9	312.41101	NUT, SELF LOCKING M10 LOW	TUERCA AUTOBLOC. M10 BAJA	
10	314.11104	WASHER P10.5 X 18	ARANDELA P10.5 X 18	
11	314.23084	WASHER, LOCK 8.4	ARANDELA DE RES. 8.4	
12	314.23105	WASHER, LOCK 10.5	ARANDELA DE RES. 10.5	
13	341.10042	PIN, COTTER A 4 X 30 UNI 1336	PASADOR A 4 X 30 UNI 1336	
14	561.42467	WHEEL SUPPORT PIN	PERNO SOPORTE RUEDITA	
15	561.48625	ADJUSTMENT PIN	CLAVITA DE REGULACION	
16	561.49863	ROTARY HOE KNIFE ROD	TIRANTE CUCHILLA FRESADORA	
17	561.49855	ROTARY HOE HOOD ROD	TIRANTE CAPO FRESADORA	
18	562.02628	SPACER RING	ANILLO SEPARADOR	
19	580.02052	PIN	CLAVITA	
20	580.42468	RUBBER WHEEL D 22	RUEDA D 22	
21	580.48460	RENTAL RIGHT KNIFE	CUCHILLA LARGA DERECHA	21 & 22 - THE WIDE TINE HAS BEEN REPLACED BY THE RENTAL TINE.
22	580.48461	RENTAL LEFT KNIFE	CUCHILLA LARGA IZQUIERDA	
23	580.50533	PIN	PASADOR	
24	580.59275	UNIVERSAL LEFT KNIFE	CUCHILLA NORMAL IZQUIERDA	24 & 25 THE STANDARD TINE HAS BEEN REPLACED BY THE UNIVERSAL TINE.
25	580.59276	UNIVERSAL RIGHT KNIFE	CUCHILLA NORMAL DERECHA	
26	590.48422	SPACER KNIVES	CUCHILLAS SEPARADOR	
27	590.48435	BLADE HOLDER FLANGE D 25	BRIDA PORTA-CUCHILLAS	
28	590.49850	CENTRAL KNIFE	CUCHILLA CENTRAL	
29	922.42465	TRANSPORT WHEEL ASSEMBLY	RUEDA ENSAMBLAJE, TRANSPORTAR	
30	T20U	20" UNIVERSAL TINE KIT	20" COMPLETO UNIVERSAL DIENTE	
31	T26U	26" UNIVERSAL TINE KIT	26" COMPLETO UNIVERSAL DIENTE	
32	T30U	30" UNIVERSAL TINE KIT	30" COMPLETO UNIVERSAL DIENTE	
33	T20R	20" RENTAL TINE KIT	20" COMPLETO PROPIEDAD ALQUILADA	
34	T26R	26" RENTAL TINE KIT	26" COMPLETO PROPIEDAD ALQUILADA	
35	T30R	30" RENTAL TINE KIT	30" COMPLETO PROPIEDAD ALQUILADA	



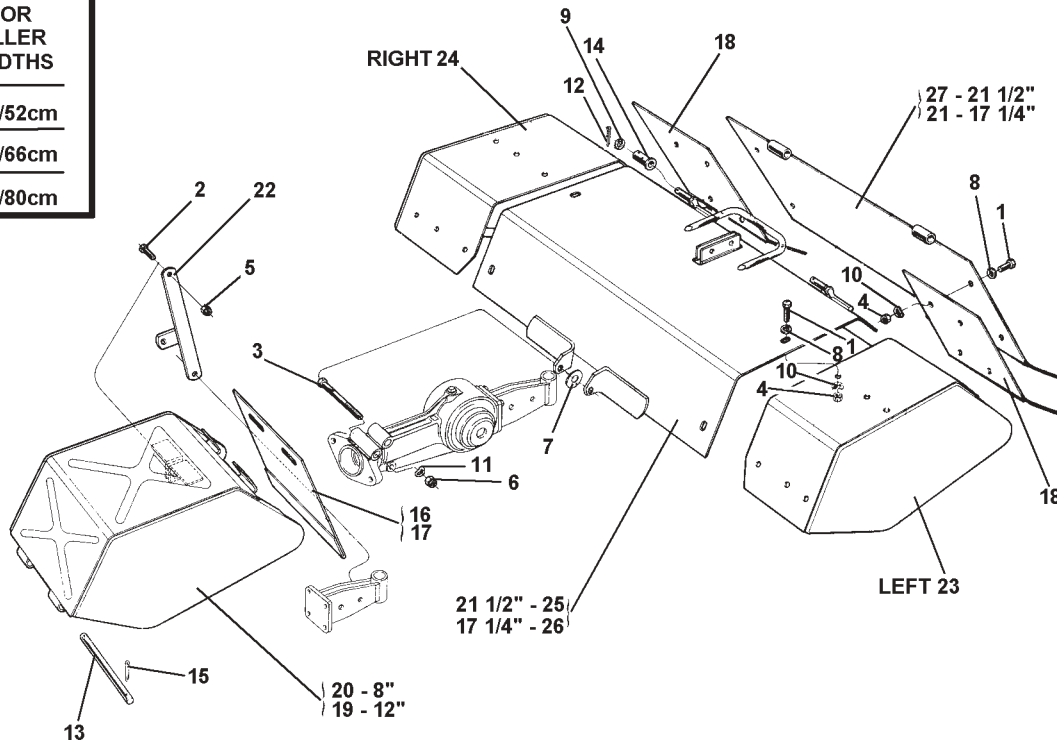
ID	PART NO	DESCRIPTION	DENOMINACION	NOTES
1	311.11212	SCREW TE M10 X 25	TORNILLO TE M10 X 25	
2	311.12151	SCREW M8 X 25	TORNILLO M8 X 25	
3	311.12153	SCREW M8 X 35	TORNILLO M8 X 35	
4	311.12219	SCREW TE M10 X 25 UNI 5739-8G	TORNILLO TE M10 X 25 UNI 5739-8G	
5	312.41080	NUT, SELF LOCKING M8	TUERCA AUTOBLOC. M8	
6	312.41084	NUT	TUERCA	
7	312.41100	NUT, SELF LOCKING M10	TUERCA AUTOBLOC. M10	
8	312.41101	NUT, SELF LOCKING M10 LOW	TUERCA AUTOBLOC. M10 BAJA	
9	314.00181	WASHER	ARANDELA	
10	314.11104	WASHER P10.5 X 18	ARANDELA P10.5 X 18	
11	314.23084	WASHER, LOCK 8.4	ARANDELA DE RES. 8.4	
12	314.23105	WASHER, LOCK 10.5	ARANDELA DE RES. 10.5	
13	341.10042	PIN, COTTER A 4 X 30 UNI 1336	PASADOR A 4 X 30 UNI 1336	
14	551.02714	KNOB	MANILLA	
15	561.42467	WHEEL SUPPORT PIN	PERNO SOPORTE RUEDITA	
16	561.48625	ADJUSTMENT PIN	CLAVITA DE REGULACION	
17	561.49855	ROTARY HOE HOOD ROD	TIRANTE CAPO FRESADORA	
18	580.02052	PIN	CLAVITA	
19	580.42468	RUBBER WHEEL D 22	RUEDA D 22	
20	580.48460	RENTAL RIGHT KNIFE	CUCHILLA LARGA DERECHA	
21	580.48461	RENTAL LEFT KNIFE	CUCHILLA LARGA IZQUIERDA	21 & 22 - THE WIDE TINE HAS BEEN REPLACED BY THE RENTAL TINE.
22	580.50533	PIN	PASADOR	
23	580.59275	UNIVERSAL LEFT KNIFE	CUCHILLA NORMAL IZQUIERDA	23 & 24 - THE STANDARD TINE HAS BEEN REPLACED BY THE UNIVERSAL TINE.
24	580.59276	UNIVERSAL RIGHT KNIFE	CUCHILLA NORMAL DERECHA	
25	590.48422	SPACER KNIVES	CUCHILLAS SEPARADOR	
26	590.48435	BLADE HOLDER FLANGE D 25	BRIDA PORTA-CUCHILLAS	
27	590.49850	CENTRAL KNIFE	CUCHILLA CENTRAL	
28	590.49863	KNIFE ROD	VARILLA CUCHILLA	
29	922.42465	TRANSPORT WHEEL ASSEMBLY	RUEDA ENSAMBLAJE, TRANSPORTAR	
30	T20U	20" UNIVERSAL TINE KIT	20" COMPLETO UNIVERSAL DIENTE	
31	T26U	26" UNIVERSAL TINE KIT	26" COMPLETO UNIVERSAL DIENTE	
32	T30U	30" UNIVERSAL TINE KIT	30" COMPLETO UNIVERSAL DIENTE	
33	T20R	20" RENTAL TINE KIT	20" COMP. PROPIEDAD ALQUILADA	
34	T26R	26" RENTAL TINE KIT	26" COMP. PROPIEDAD ALQUILADA	
35	T30R	30" RENTAL TINE KIT	30" COMP. PROPIEDAD ALQUILADA	

**FOR
TILLER
WIDTHS**

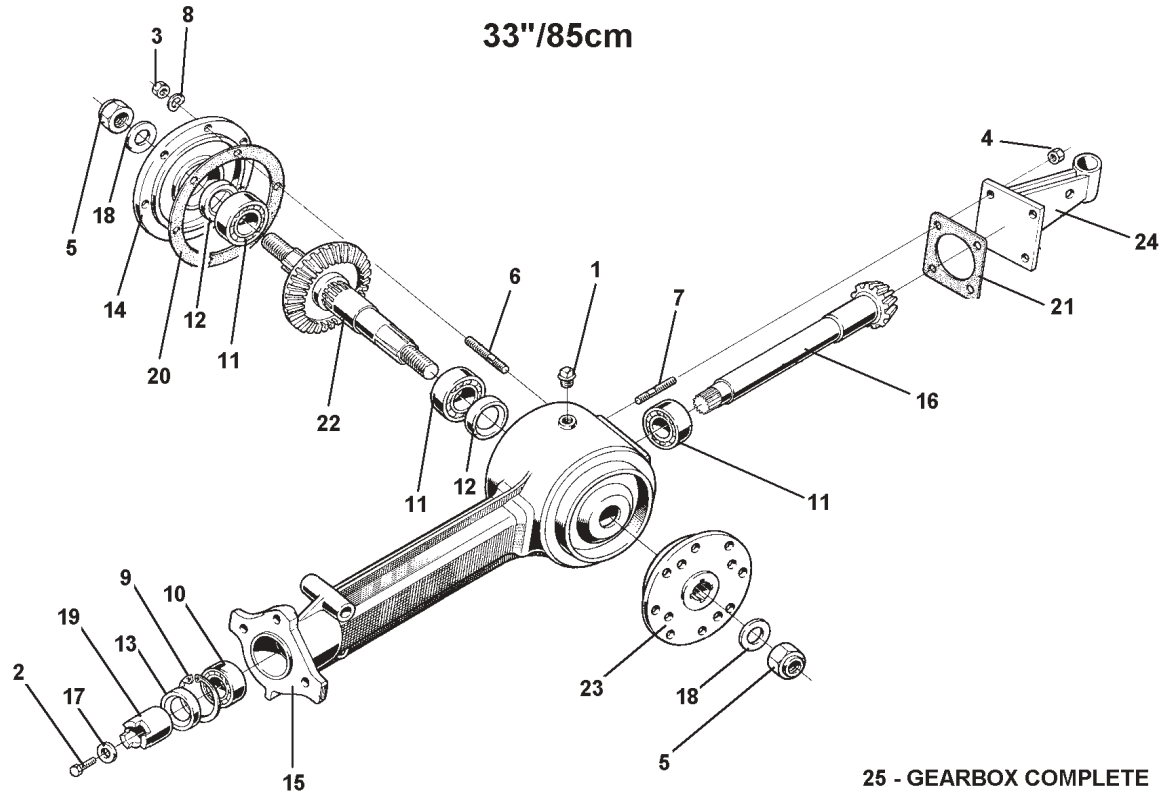
20"/52cm

26"/66cm

30"/80cm

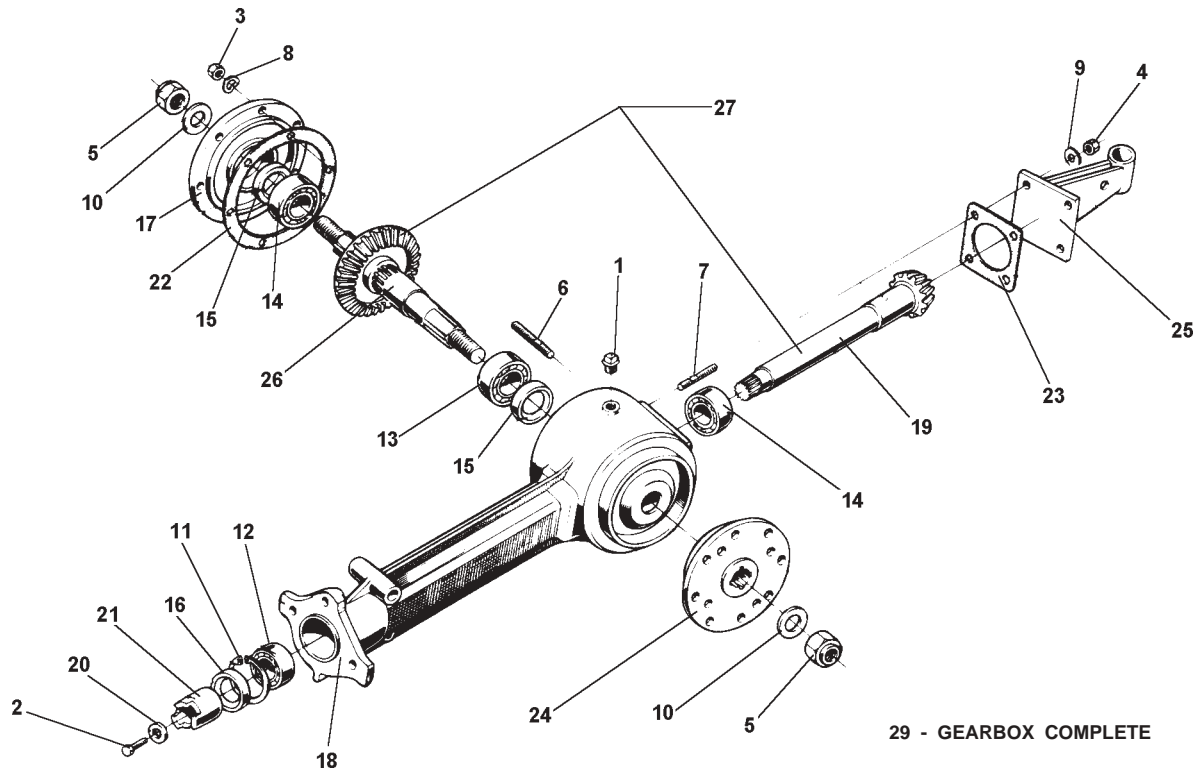


ID	PARTNO	DESCRIPTION	DENOMINACION	NOTES
1	311.11151	SCREW M8 X 16	TORNILLO M8 X 16	
2	311.12151	SCREW M8 X 25	TORNILLO M8 X 25	
3	311.12294	SCREW	TORNILLO	
4	312.11080	NUT M8	TUERCA M8	
5	312.41080	NUT, SELF LOCKING M8	TUERCA AUTOBLOC. M8	
6	312.41120	NUT, SELF LOCKING M12	TUERCA AUTOBLOC. M12	
7	314.10131	FLAT WASHER	ARANDELA PLANA	
8	314.11084	WASHER, FLAT 8.4	ARANDELA PLANA 8.4	
9	314.11104	WASHER P10.5 X 18	ARANDELA P10.5 X 18	
10	314.23084	WASHER, LOCK 8.4	ARANDELA DE RES. 8.4	
11	314.23130	WASHER, LOCK 13	ARANDELA DE RES 13	
12	341.10028	COTTER PIN Z 3 X 15 UNI 1336 AC.	PASADOR A 3 X 15 UNI 1336 AC.	
13	341.10041	PIN, COTTER 4 X 25	PASADOR 4 X 25	
14	551.42109	BUSH	CASQUILLO	
15	561.43449	PIN, HOOD	PERNO CAPO	
16	561.43458	FLAP, HOOD L 300	VOLQUETE CAPO L300	
17	561.43463	FLAP, HOOD L 200	VOLQUETE CAPO L200	
18	561.49867	SIDE FLAP	VOLQUETE LATERAL	
19	590.43456	ROTARY HOE COVER	CAPO FRESADORA	
20	590.43461	ROTARY HOE COVER	CAPO FRESADORA	
21	590.49865	CENTRAL FLAP	VOLQUETE	
22	590.49871	COVER ROD	BARRA CAPO	
23	590.49888	LEFT SIDE	FLANCO IZQUIERDO	
24	590.49889	RIGHT SIDE	FLANCO DERECHO	
25	590.49892	80 CM COVER CENTRAL CASING	CUERPO CENTRAL COFRE 80 CM	
26	590.49893	COVER CENTRAL CASING	CUERPO CENTRAL COFRE	
27	590.49894	HOE CENTRAL FLAP	VOLQUETE CENTRAL FRESADORA	



25 - GEARBOX COMPLETE

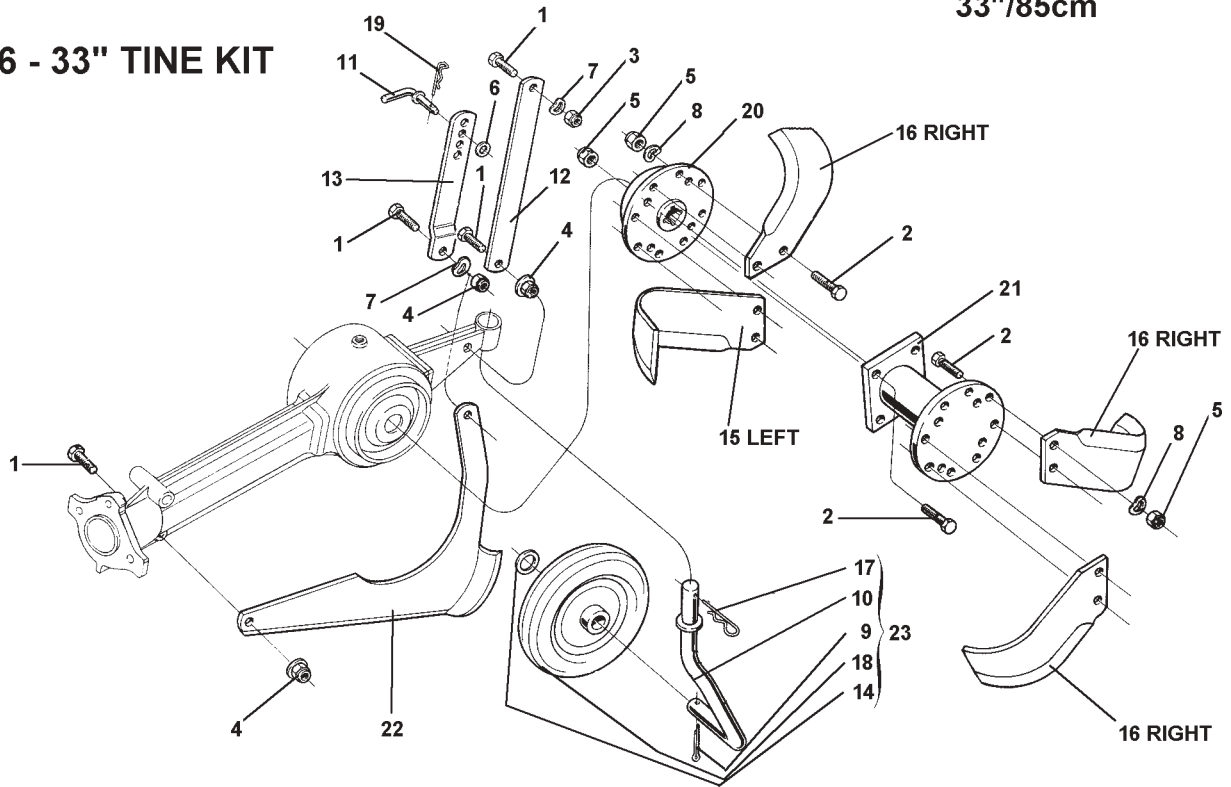
ID	PARTNO	DESCRIPTION	DENOMINACION	NOTES
1	300.40001	PLUG 1/4 GAS	TAPON 1/4 GAS	
2	311.12093	SCREW M6 X 20	TORNILLO M6 X 20	
3	312.41080	NUT, SELF LOCKING M8	TUERCA AUTOBLOC. M8	
4	312.41104	NUT	TUERCA	
5	312.41181	NUT, SELF LOCKING M18 X 1.5 STD	TUERCA AUTOBLOC. M18 X 1.5 NORM	
6	313.12081	STUD M8 X 38 X 16 X 16 8G	PRISIONERO M8 X 38 X 16 X 16 8G	
7	313.12101	STUD M10 X 37 X 19 X 15 8G	PRISIONERO M10 X 37 X 19 X 15 8G	
8	314.23084	WASHER, LOCK 8.4	ARANDELA DE RES. 8.4	
9	351.11052	CIRCLIP, INTERN D 52	SEEGER INT. D 52	
10	371.11255	BEARING 25 X 52 X 15 6205	COJINETE 25 X 52 X 15 6205	
11	371.11300	BEARING 30 X 62 X 16 6206	COJINETE 30 X 62 X 16 6206	
12	382.13001	SEAL, OIL 30 X 52 X 10 STANDARD	CHAPA RET. AC. 30 X 52 X 10 NORM.	
13	382.14001	SEAL, OIL 40 X 52 X 7 STANDARD	CHAPA RET. AC. 40 X 52 X 7 NORM.	
14	511.49676	SIDE COVER	TAPA LATERAL	
15	512.49675	ROTARY HOE CENTRAL HSNG	CUERPO CENTRAL FRESADORA	
16	524.49681	SHAFT	ARBOL	
17	561.42291	WASHER 7 X 25 X 4	ARANDELA 7 X 25 X 4	
18	561.42420	WASHER, HOE LOCK	ROSETA BLOC. HAZADAS	
19	564.49680	ROTARY HOE COUPLING	ACOPLAMIENTO FRESADORA	
20	580.49677	COVER GASKET	GUARNICION TAPA	
21	580.49696	COVER GASKET	GUARNICION TAPA	
22	590.49683	HOE SHAFT	EJE AZADAS	
23	590.49687	BLADE HOLDER FLANGE	BRIDA PORTA CUCHILLAS	
24	590.49697	REAR COVER	TAPA POSTERIOR	
25	599.90108	GEARBOX COMPLETE	CAJA CAMBIO COMPLETO	



ID	PARTNO	DESCRIPTION	DENOMINACION	NOTES
1	300.40001	PLUG 1/4	TAPON 1/4	
2	311.12093	SCREW M6 X 20	TORNILLO M6 X 20	
3	312.41085	NUT	TUERCA	
4	312.41105	NUT, SELF LOCKING	TUERCA AUTOBLOC.	
5	312.41181	NUT, SELF LOCKING M18 X 1.5	TUERCA AUTOBLOC. M18 X 1.5	
6	313.12081	STUD M8 X 38 X 16 X 16	PRISIONERO M8 X 38 X 16 X 16	
7	313.12101	STUD M10 X 37 X 19 X 15	PRISIONERO M10 X 37 X 19 X 15	
8	314.21083	SUPER WASHER 8	SUPER ARANDELA 8	
9	314.21101	SUPER WASHER 10	SUPER ARANDELA 10	
10	314.21253	SUPER WASHER 18	SUPER ARANDELA 18	
11	351.11052	CIRCLIP, INTERNAL D 52	SEEGER INT. D 52	
12	371.11255	BEARING 25 X 52 X 15	COJINETE 25 X 52 X 15	
13	371.11300	BEARING 30 X 62 X 16	COJINETE 30 X 62 X 16	
14	371.41301	BEARING 30 X 62 X 16	COJINETE 30 X 62 X 16	
15	382.13001	OIL SEAL 30 X 52 X 10	CHAPA RET. AC. 30 X 52 X 10	
16	382.14001	OIL SEAL 40 X 52 X 7	CHAPA RET. AC. 40 X 52 X 7	
17	511.49676	SIDE COVER	TAPA LATERAL	
18	512.49675	ROTARY HOE CENTRAL ASSEMBLY	CUERPO CENTRAL FRESADORA	
19	524.49738	ROTARY HOE PINION	PINION FRESADORA	
20	561.42291	WASHER 7 X 25 X 4	ARANDELA 7 X 25 X 4	
21	564.49680	ROTARY HOE COUPLING	ACOPLAMIENTO FRESADORA	
22	580.49677	COVER GASKET	GUARNICION TAPA	
23	580.49696	COVER GASKET	GUARNICION TAPA	
24	590.49687	BLADE HOLDER FLANGE	BRIDA PORTA CUCHILLAS	
25	590.49697	REAR COVER	TAPA POSTERIOR	
26	590.49736	SHAFT WITH GEAR	ARBOL CON CORONA	
27	593.49739	BEVEL GEAR PAIR	PAR CONICO ENGRANAJE	
28	599.90108	GEARBOX COMPLETE		

26 - 33" TINE KIT

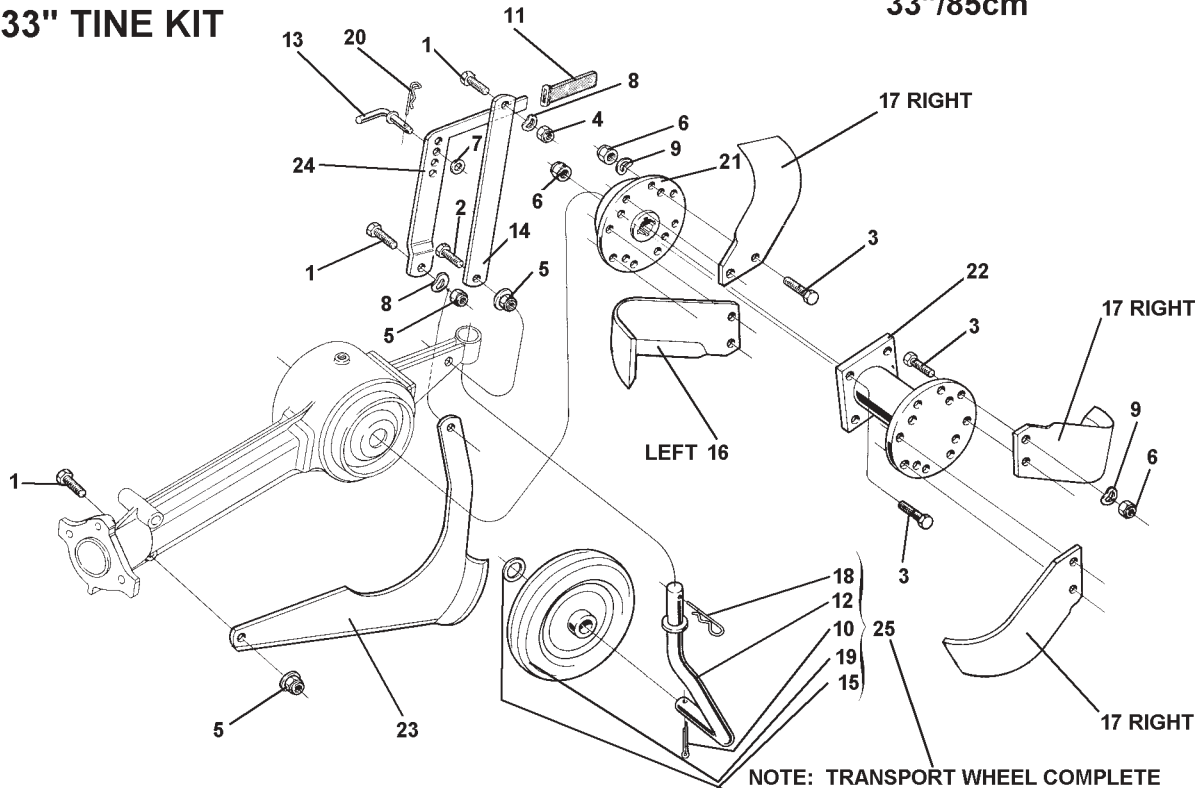
33"/85cm



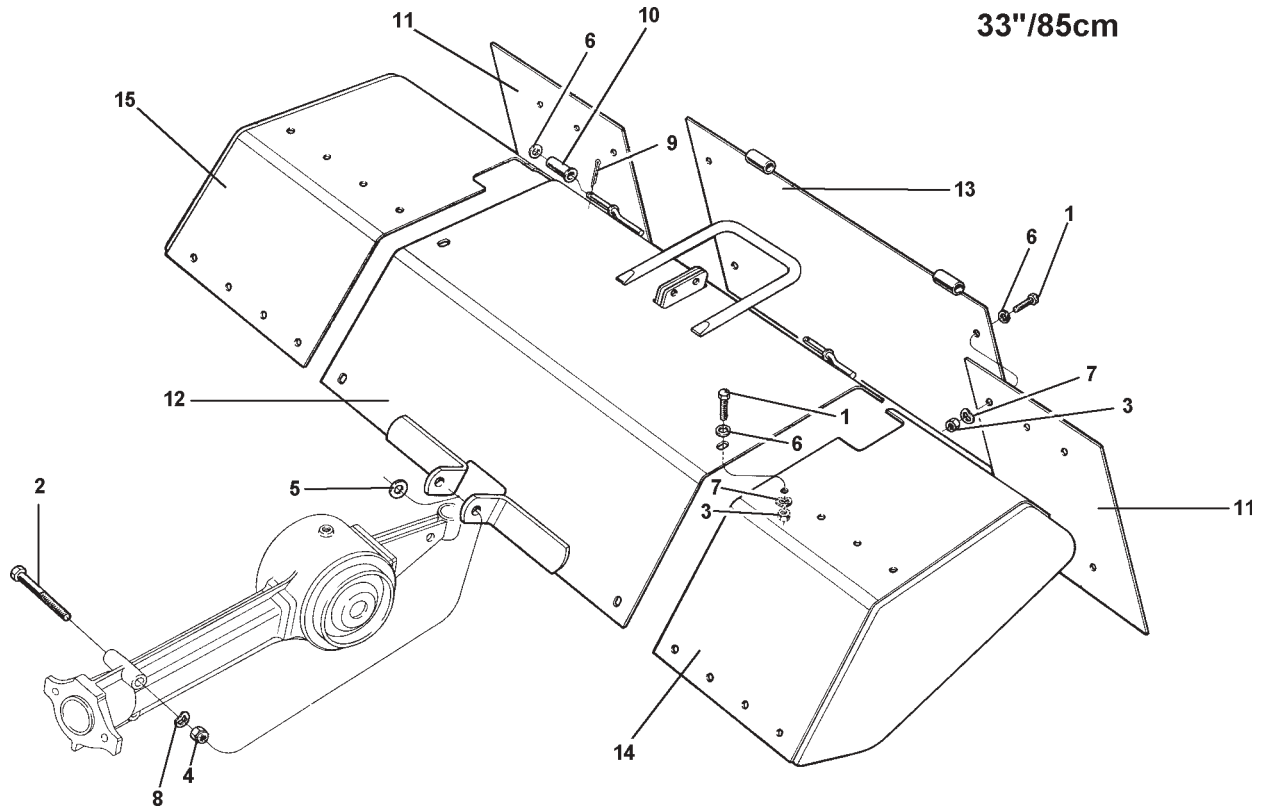
ID	PARTNO	DESCRIPTION	DENOMINACION	NOTES
1	311.12211	SCREW M10 X 30	TORNILLO M10 X 30	
2	311.12264	SCREW TE M12 X 35 UNI 5739 8G	TORNILLO TE M12 X 35 UNI 5739 8G	
3	312.41100	NUT, SELF LOCKING M10	TUERCA AUTOBLOC. M10	
4	312.41104	NUT	TUERCA	
5	312.41120	NUT, SELF LOCKING M12	TUERCA AUTOBLOC. M12	
6	314.11104	WASHER P10.5 X 18	ARANDELA P10.5 X 18	
7	314.23105	WASHER, LOCK 10.5	ARANDELA DE RES. 10.5	
8	314.23130	WASHER, LOCK 13	ARANDELA DE RES. 13	
9	341.10042	PIN, COTTER A 4 X 30 UNI 1336	PASADOR A 4 X 30 UNI 1336	
10	561.42467	WHEEL SUPPORT PIN	PERNO SOPORTE RUEDITA	
11	561.48625	ADJUSTMENT PIN	CLAVITA DE REGULACION	
12	561.49705	CHAIN ROD	TIRANTE CADENA	
13	561.49706	KNIFE ROD	TIRANTE CUCHILLA	
14	562.02628	SPACER RING	ANILLO SEPARADOR	
15	565.49707	LEFT KNIFE	CUCHILLA IZQUIERDA	
16	565.49708	RIGHT KNIFE, WIDE	CUCHILLA DERECHA ANCHA	
17	580.02052	PIN	CLAVITA	
18	580.42468	RUBBER WHEEL D 22	RUEDA D 22	
19	580.50533	PIN	PASADOR	
20	590.49687	BLADE HOLDER FLANGE	BRIDA PORTA CUCHILLA	
21	590.49690	KNIFE SPACER	SEPARADOR CUCHILLA	
22	590.49702	CENTRAL KNIFE	CUCHILLA CENTRAL	
23	922.42465	TRANSPORT WHEEL ASSEMBLY	RUEDA ENSAMBLAJE, TRANSPORTAR	
24	T33W	33" TINE KIT	33" COMPLETO DIENTE	

26 - 33" TINE KIT

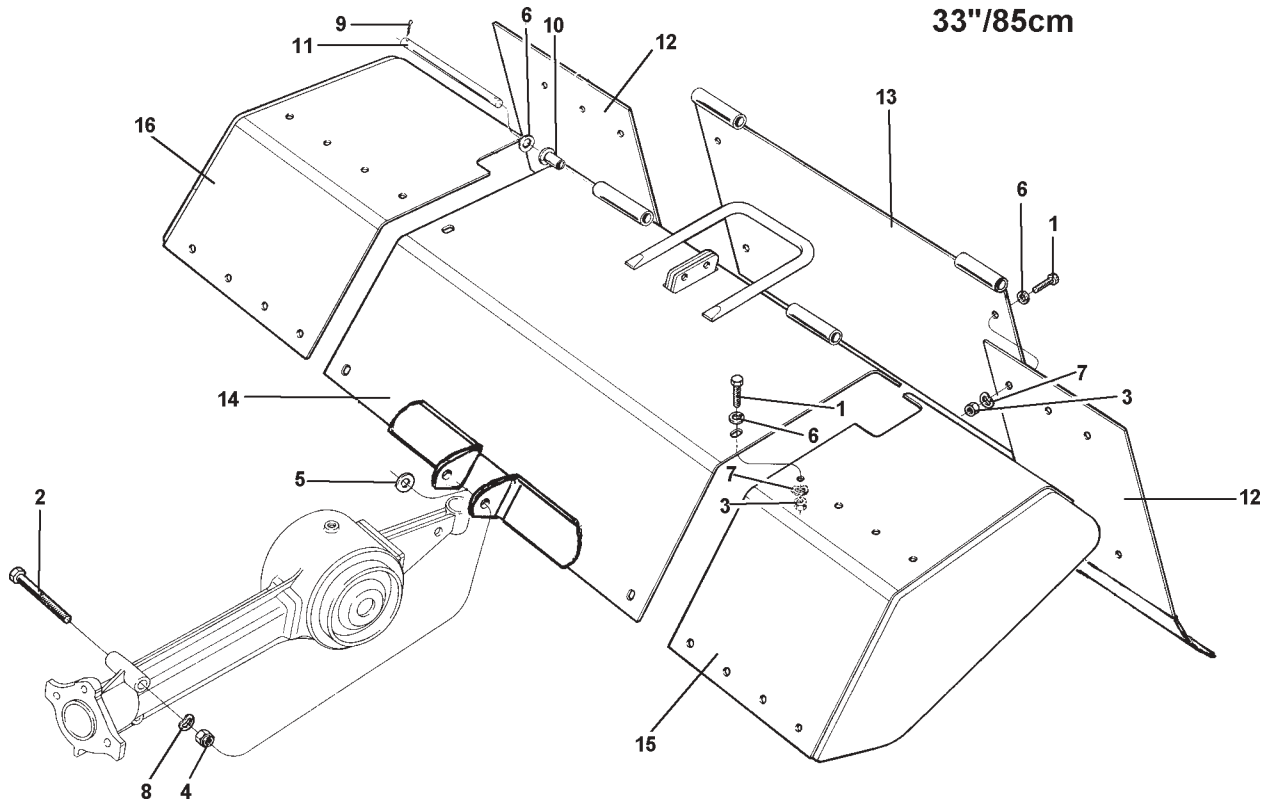
33"/85cm



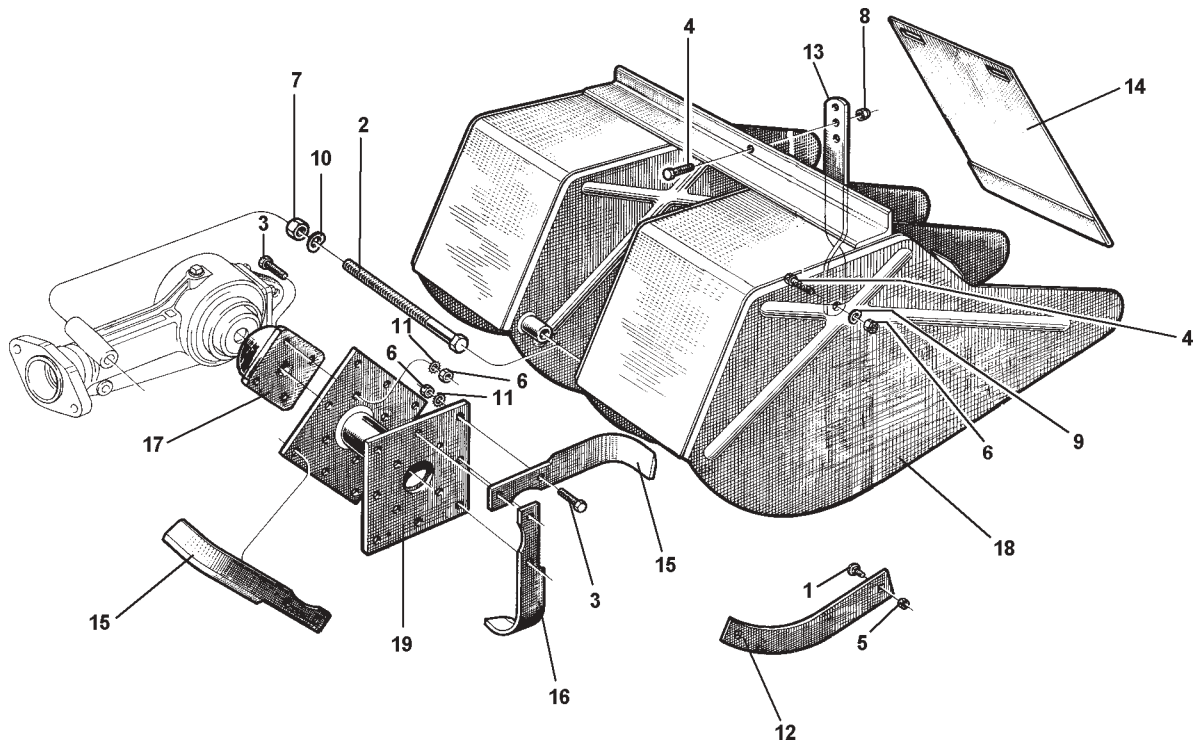
ID	PARTNO	DESCRIPTION	DENOMINACION	NOTES
1	311.12211	SCREW M10 X 30	TORNILLO M10 X 30	
2	311.12212	SCREW TE M10 X 35 UNI 5739-8G	TORNILLO TE M10 X 35 UNI 5739-8G	
3	311.12264	SCREW TE M12 X 35 UNI 5739-8G	TORNILLO TE M12 X 35 UNI 5739-8G	
4	312.41100	NUT, SELF LOCKING M10	TUERCA AUTOBLOC. M10	
5	312.41104	NUT	TUERCA	
6	312.41120	NUT, SELF LOCKING M12	TUERCA AUTOBLOC. M12	
7	314.11104	WASHER P10.5 X 18	ARANDELA P10.5 X 18	
8	314.23105	WASHER, LOCK 10.5	ARANDELA DE RES. 10.5	
9	314.23130	WASHER, LOCK 13	ARANDELA DE RES. 13	
10	341.10042	PIN, COTTER A 4 X 30 UNI 1336	PASADOR A 4 X 30 UNI 1336	
11	551.02714	KNOB	MANILLA	
12	561.42467	WHEEL SUPPORT PIN	PERNO SOPORTE RUEDITA	
13	561.48625	ADJUSTMENT PIN	CLAVITA DE REGULACION	
14	561.49705	CHAIN ROD	TIRANTE CADENA	
15	562.02628	SPACER RING	ANILLO SEPARADOR	
16	565.49707	LEFT KNIFE	CUCHILLA IZQUIERDA	
17	565.49708	RIGHT KNIFE, WIDE	CUCHILLA DERECHA ANCHA	
18	580.02052	PIN	CLAVITA	
19	580.42468	RUBBER WHEEL D 22	RUEDA D 22	
20	580.50533	PIN	PASADOR	
21	590.49687	BLADE HOLDER FLANGE	BRIDA PORTA CUCHILLA	
22	590.49690	KNIFE SPACER	SEPARADOR CUCHILLA	
23	590.49702	CENTRAL KNIFE	CUCHILLA CENTRAL	
24	590.49734	KNIFE ROD	VARILLA CUCHILLA	
25	922.42465	TRANSPORT WHEEL ASSEMBLY	RUEDA ENSAMBLAJE, TRANSPORTAR	
26	T33W	33" TINE KIT	33" COMPLETO DIENTE	



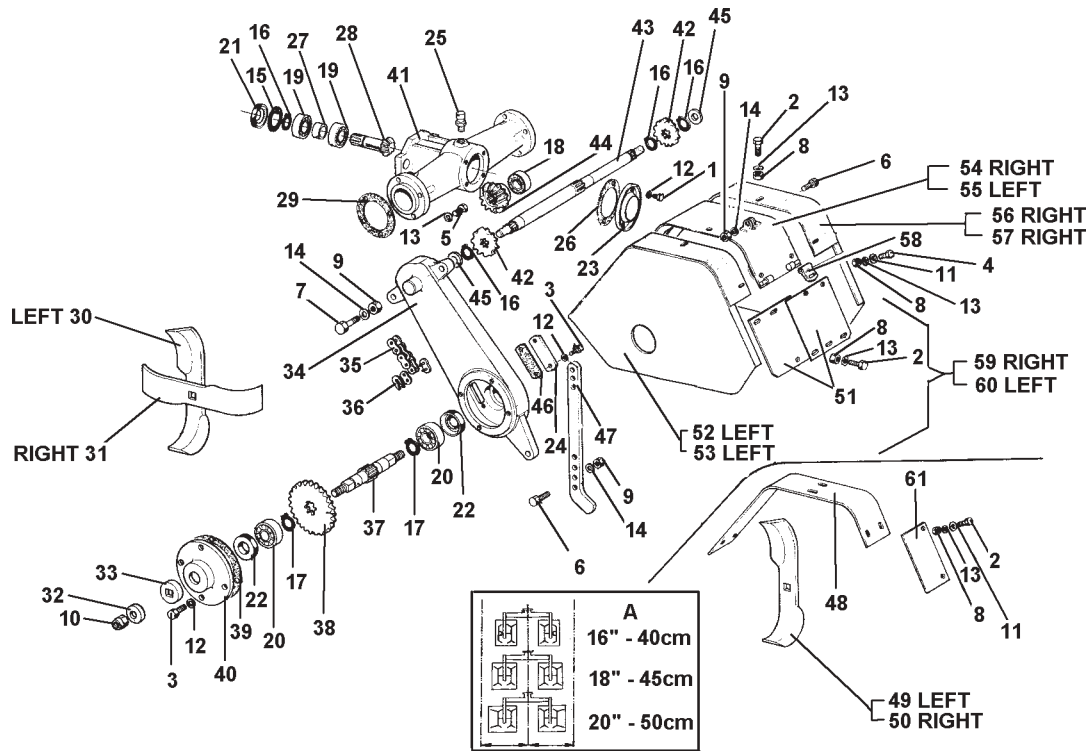
ID	PART NO	DESCRIPTION	DENOMINACION	NOTES
1	311.12210	SCREW TE M10 X 20 UNI 5739-8G	TORNILLO TE M10 X 20 UNI 5739-8G	
2	311.12295	SCREW TE M12 X 95 UNI 5739-8G	TORNILLO TE M12 X 95 UNI 5739-8G	
3	312.11100	NUT M10	TUERCA M10	
4	312.41120	NUT, SELF LOCKING M12	TUERCA AUTOBLOC. M12	
5	314.10131	FLAT WASHER	ARANDELA PLANA	
6	314.11104	WASHER P10.5 X 18	ARANDELA P10.5 X 18	
7	314.23105	WASHER, LOCK 10.5	ARANDELA DE RES. 10.5	
8	314.23130	WASHER, LOCK 13	ARANDELA DE RES. 13	
9	341.10028	COTTER PIN Z 3 X 15 UNI 1336 AC.	PASADOR A 3 X 15 UNI 1336 AC.	
10	551.42109	BUSH	CASQUILLO	
11	561.49720	SIDE FLAP	VOLQUETE LATERAL	
12	590.49714	HOOD CENTRAL BODY	CUERPO CENTRAL CAPO	
13	590.49718	CENTRAL FLAP	VOLQUETE CENTRAL	
14	590.49725	LEFT SIDE	COFRE LATERAL IZQUIERDO	
15	590.49728	RIGHT SIDE	COFRE LATERAL DERECHO	



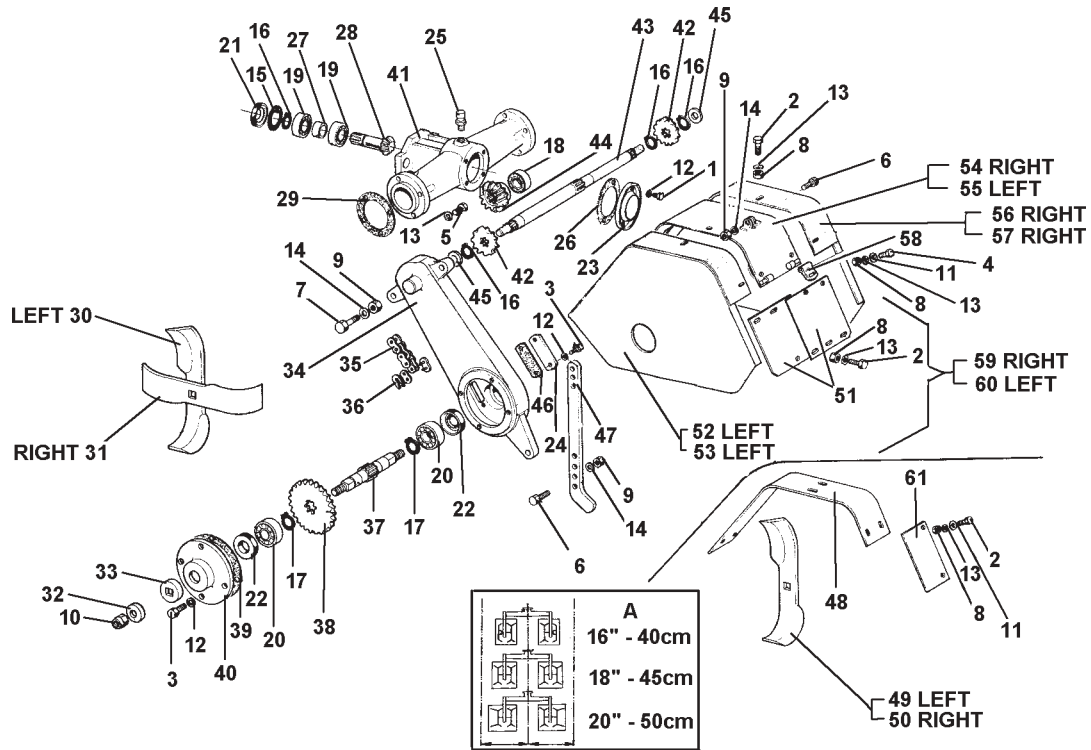
ID	PARTNO	DESCRIPTION	DENOMINACION	NOTES
1	311.12210	SCREW TE M10 X 20 UNI 5739-8G	TORNILLO TE M10 X 20 UNI 5739-8G	
2	311.12295	SCREW TE M12 X 95 UNI 5739-8G	TORNILLO TE M12 X 95 UNI 5739-8G	
3	312.11100	NUT M10	TUERCA M10	
4	312.41120	NUT, SELF LOCKING M12	TUERCA AUTOBLOC. M12	
5	314.10131	FLAT WASHER	ARANDELA PLANA	
6	314.11104	WASHER P10.5 X 18	ARANDELA P10.5 X 18	
7	314.23105	WASHER, LOCK 10.5	ARANDELA DE RES. 10.5	
8	314.23130	WASHER, LOCK 13	ARANDELA DE RES. 13	
9	341.10028	COTTER PIN Z 3 X 15 UNI 1336 AC.	PASADOR A 3 X 15 UNI 1336 AC.	
10	551.42109	BUSH	CASQUILLO	
11	561.42110	PIN, COUPLING	PERNO ACOPLAMIENTO	
12	561.49720	SIDE FLAP	VOLQUETE LATERAL	
13	590.49722	CENTRAL FLAP	VOLQUETE CENTRAL	
14	590.49724	CENTRAL COVER	COFRE CENTRAL	
15	590.49725	LEFT SIDE	COFRE LATERAL IZQUIERDO	
16	590.49728	RIGHT SIDE	COFRE LATERAL DERECHO	



ID	PARTNO	DESCRIPTION	DENOMINACION	NOTES
1	311.00201	BOLT M6 X 12 & SQUARE NUT	PERNO M6 X 12 Y TUERCA CUADRA	
2	311.11273	SCREW TE M12 X 150 UNI 5739-S	TORNILLO TE M12 X 150 UNI 5739-S	
3	311.12150	SCREW M8 X 20	TORNILLO M8 X 20	
4	311.12151	SCREW M8 X 25	TORNILLO M8 X 25	
5	312.11060	NUT M6	TUERCA M6	
6	312.11080	NUT M8	TUERCA M8	
7	312.11120	NUT M12	TUERCA M12	
8	312.41080	NUT, SELF LOCKING M8	TUERCA AUTOBLOC. M8	
9	314.23084	WASHER, LOCK 8.4	ARANDELA DE RES. 8.4	
10	314.23130	WASHER, LOCK 13	ARANDELA DE RES. 13	
11	314.31084	WASHER, LOCK AW 8.4	ARANDELA DE RES. AW 8.4	
12	561.43477	GUARD, INTERNAL	PROTECCION INTERN.	
13	561.43478	ROD, HOOD ADJUSTMENT	VARILLA REGULACION CARTER	
14	561.43484	FLAP DOUBLE HOE HOOD	VOLQUETE CAPO FRESA DOBLE	
15	580.43431	L.H. KNIFE	CUCHILLO IZQUIERDO	
16	580.43432	KNIFE, R.H.	CUCHILLO DERECHO	
17	590.43427	FLANGE, BLADE HOLDER	BRIDA PORTA CUCHILLAS COM.	
18	590.43465	HOOD, DOUBLE CUTTER	CAPO FRESA DOBLE COMPL.	
19	590.43480	SPACER	DISTANCIAL COMPL.	



ID	PART NO	DESCRIPTION	DENOMINACION	NOTES
1	311.11090	SCREW TE M6 X 10 UNI 5739-5S	TORNILLO TE M6 X 10 UNI 5739-5S	
2	311.11151	SCREW M8 X 16	TORNILLO M8 X 16	
3	311.12090	SCREW TE M6 X 16	TORNILLO TE M6 X 16	
4	311.12150	SCREW M8 X 20	TORNILLO M8 X 20	
5	311.12151	SCREW M8 X 25	TORNILLO M8 X 25	
6	311.12211	SCREW M10 X 30	TORNILLO M10 X 30	
7	311.12214	SCREW M10 X 45	TORNILLO M10 X 45	
8	312.21080	NUT, HIGH M8 UNI 5587-5S	TUERCA ALTA M8 UNI 5587-5S	
9	312.21100	NUT M10	TUERCA M10	
10	312.41161	NUT M16 X 1.5	TUERCA M16 X 1.5	
11	314.11084	WASHER, FLAT 8.4	ARANDELA PLANA 8.4	
12	314.22064	WASHER, LOCK 6.4	ARANDELA DE RES. 6.4	
13	314.23084	WASHER, LOCK 8.4	ARANDELA DE RES. 8.4	
14	314.23105	WASHER, LOCK 10.5	ARANDELA DE RES. 10.5	
15	351.11047	CIRCLIP, INTERN. D 47	SEEGER INT. D 47	
16	351.21020	CIRCLIP EXTERN. D 20	SEEGER EXT. D 20	
17	351.21032	CIRCLIP, D 32	SEEGER D 32	
18	371.11200	BEARING 20 X 42 X 12 6004	COJINETE 20 X 42 X 12 6004	
19	371.11201	BEARING 20 X 47 X 14 6204	COJINETE 20 47 X 14 6204	
20	371.11255	BEARING 25 X 52 X 15 6205	COJINETE 25 X 52 X 15 6205	
21	382.12004	OIL SEAL 20 X 47 X 7	CHAPA RET. ACEITE 20 X 47 X 7	
22	382.12504	OIL SEAL	CHAPA RET. ACEITE	
23	561.47015	CAP	TAPON	
24	561.47022	PLATE CHAIN CONTROL	PLETINA INSP. CADENA	
25	580.42173	BREATHER	TAPON DE ESCAPE	
26	580.47014	GASKET	GUARNICION	
27	581.47260	SPACER	SEPARADOR	
28	581.47261	CONICAL PINION	PINON CONICO	
29	581.47262	GASKET	GUARNICION	
30	581.47263	L.H. HOE	AZADAIZQUIERDA	
31	581.47264	R.H. HOE	AZADA DERECHA	
32	581.47265	COVER	TAPA	
33	581.47266	HOE RING	ANILLO AZADAS	
34	581.47268	CENTRAL CRANKCASE	CARTER CENTRAL	
35	581.47269	CHAIN	CADENA	



ID	PARTNO	DESCRIPTION	DENOMINACION	NOTES
36	581.47270	CHAIN LINK	MALLA CADENA	
37	581.47271	HOE SHAFT	EJE AZADAS	
38	581.47272	CHAIN BEVEL GEAR	CORONA CADENA	
39	581.47273	GASKET	GUARNICION	
40	581.47274	COVER	TAPA	
41	581.47275	CENTRAL CRANKCASE	CARTER CENTRAL	
42	581.47276	BEVEL GEAR PINION	PINON CORONA	
43	581.47277	GEAR SHAFT	ARBOL CORONA	
44	581.47278	GEAR RING BEVEL	CORONA CONICA	
45	581.47279	RING	ANILLO	
46	581.47280	GASKET	GUARNICION	
47	581.47281	ROTARY HOE CENTRAL KNIFE	CUCHILLA CENTRAL FRESA DOBLE	
48	581.47282	CLAMP	BRIDA	
49	581.47283	L.H. DOUBLE HOE	AZADA DOBLE IZQUIERDA	
50	581.47284	R.H. DOUBLE HOE	AZADA DOBLE DERECHA	
51	581.47285	FLAP	VOLQUETE	
52	581.47286	L.H. SIDE ELEMENT	ELEMENTO LATERAL IZQUIERDO	
53	581.47287	L.H. OUTSIDE ELEMENT	ELEMENTO EXTERIOR IZQUIERDO	
54	581.47288	R.H. CENTRAL ELEMENT	ELEMENTO CENTRAL DERECHO	
55	581.47289	L.H. CENTRAL ELEMENT	ELEMENTO CENTRAL IZQUIERDO	
56	581.47290	R.H. CENTRAL ELEMENT	ELEMENTO CENTRAL DERECHO	
57	581.47291	R.H. OUTSIDE ELEMENT	ELEMENTO EXTERIOR DERECHO	
58	581.47292	HINGE	BISAGRA	
59	581.47293	R.H. COVER	CAPO DERECHO	
60	581.47294	L.H. COVER	CAPO IZQUIERDO	
61	581.47295	FLAP WIDENING	ENSANCHE VOLQUETE	