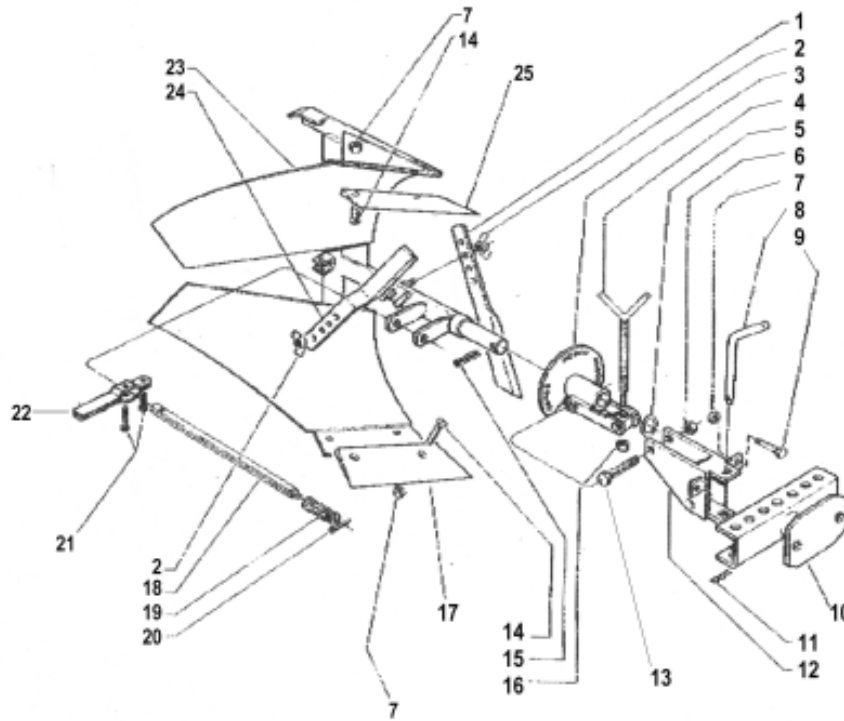
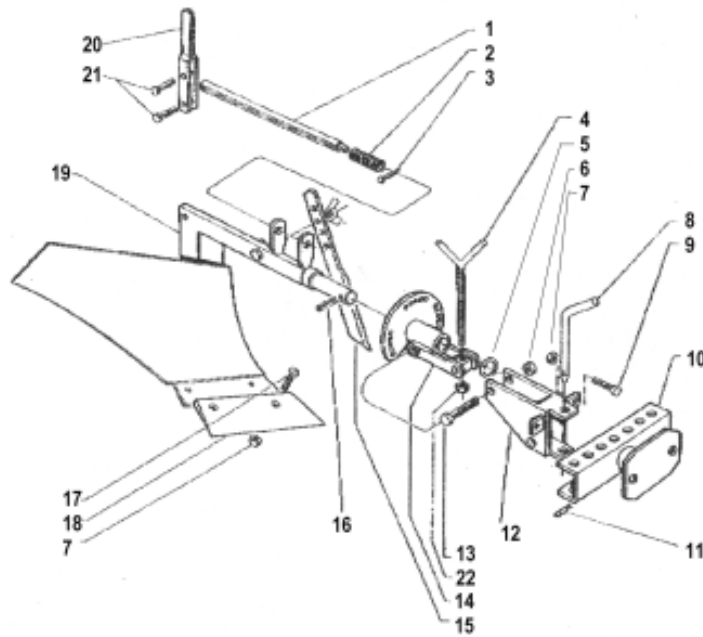




A M E R I C A



ID	PARTNO	DESCRIPTION	DENOMINACION	NOTES
1	523.49123	KNIFE RIGHT		
2	312.00502	NUT WING M10		
3	590.49113	SUPPORT		
4	590.49114	SCREW		
5	561.49121	WASHER		
6	312.11120	NUT M10		
7	312.11100	NUT M10		
8	561.49120	PIN		
9	311.12211	CAPSCREW M10X30		
10	590.43713	TIE		
11	580.02052	PIN		
12	590.49117	SUPPORT		
13	311.12274	BOLT		
14	311.31100	BOLT M10X22		
15	342.11102	SPLIT PIN M10X50		
16	312.41100	NUT NYLON LOCK M10		
17	523.49122	SHARE RIGHT		
18	561.49108	ROD		
19	580.49109	SPRING		
20	341.10050	COTTER PIN		
21	331.31051	RIVET		
22	590.49134	CONTROL LEVER ROD		
23	590.49126	MOLBOARD		
24	523.49132	BENT KNIFE		
25	523.49130	SHARE LEFT		



ID	PARTNO	DESCRIPTION	DENOMINACION	NOTES
1	561.49108	ROD		
2	580.49109	SPRING		
3	341.10050	COTTER PIN		
4	590.49114	SCREW		
5	561.49121	WASHER		
6	312.11120	NUT M12		
7	312.11100	NUT M10		
8	561.49120	PIN		
9	311.12211	CAP SCREW M10X30		
10	590.43713	TIE		
11	580.02052	PIN		
12	590.49117	SUPPORT		
13	311.12274	BOLT		
14	590.49113	SUPPORT		
15	523.49123	KNIFE RIGHT		
16	342.11102	SPLIT PIN 10X50		
17	311.31100	CAP SCREW M10X22		
18	523.49122	SHARE RH		
19	590.49101			
20	590.49110	LEVER		
21	331.31051	RIVET		
22	312.41100	NUT M10		