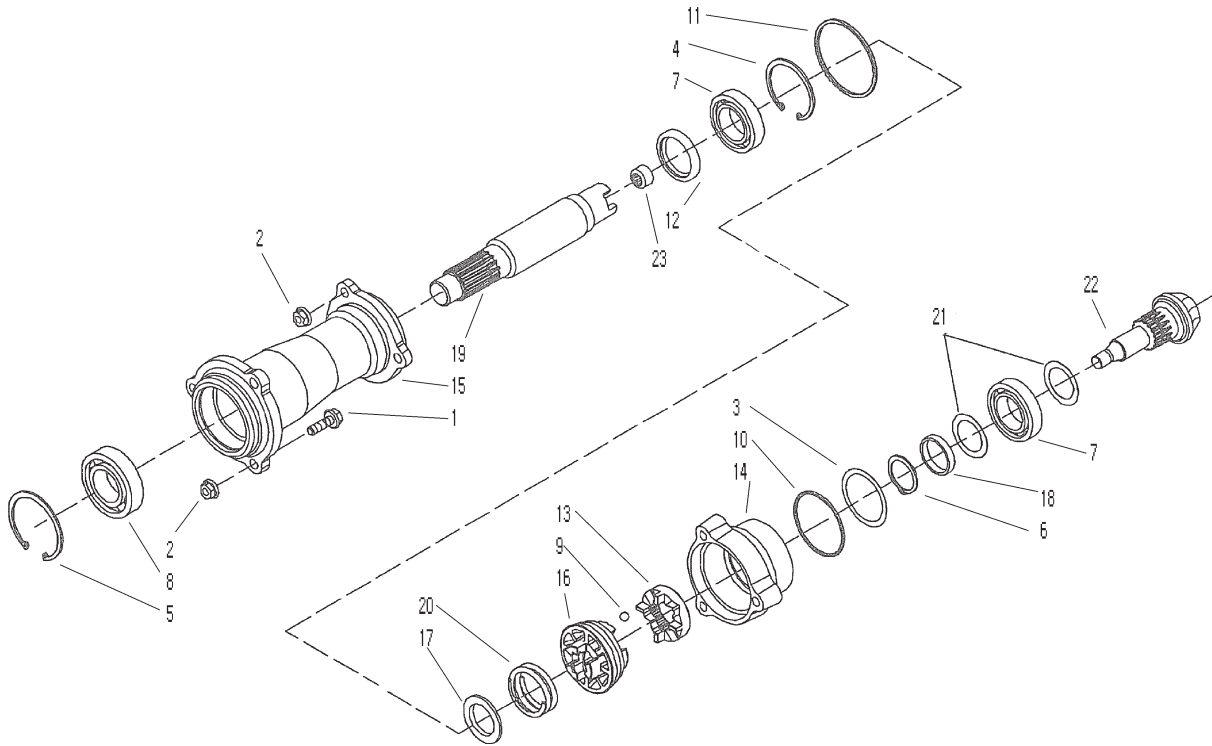
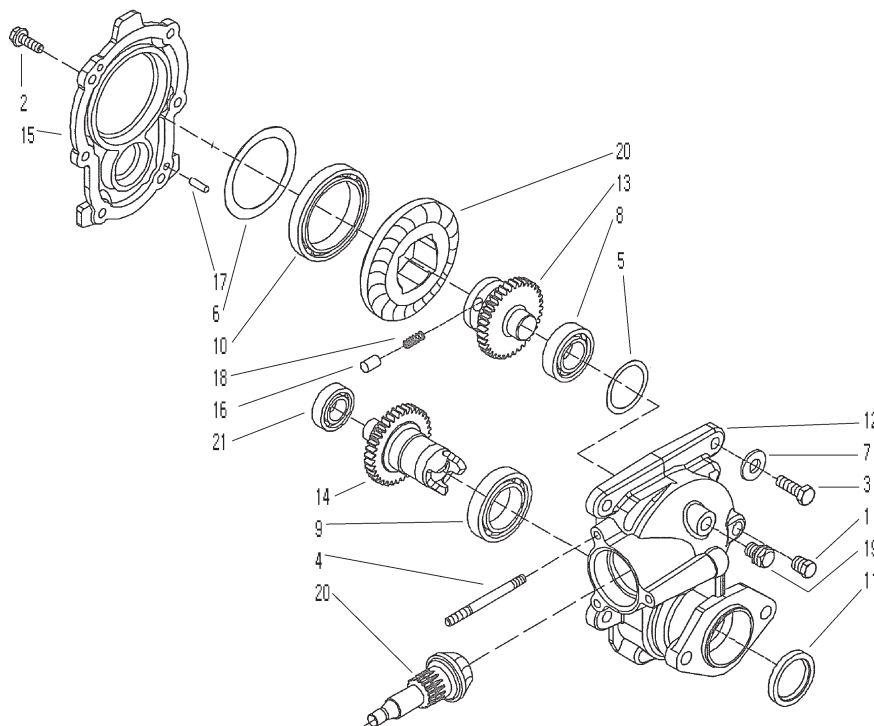




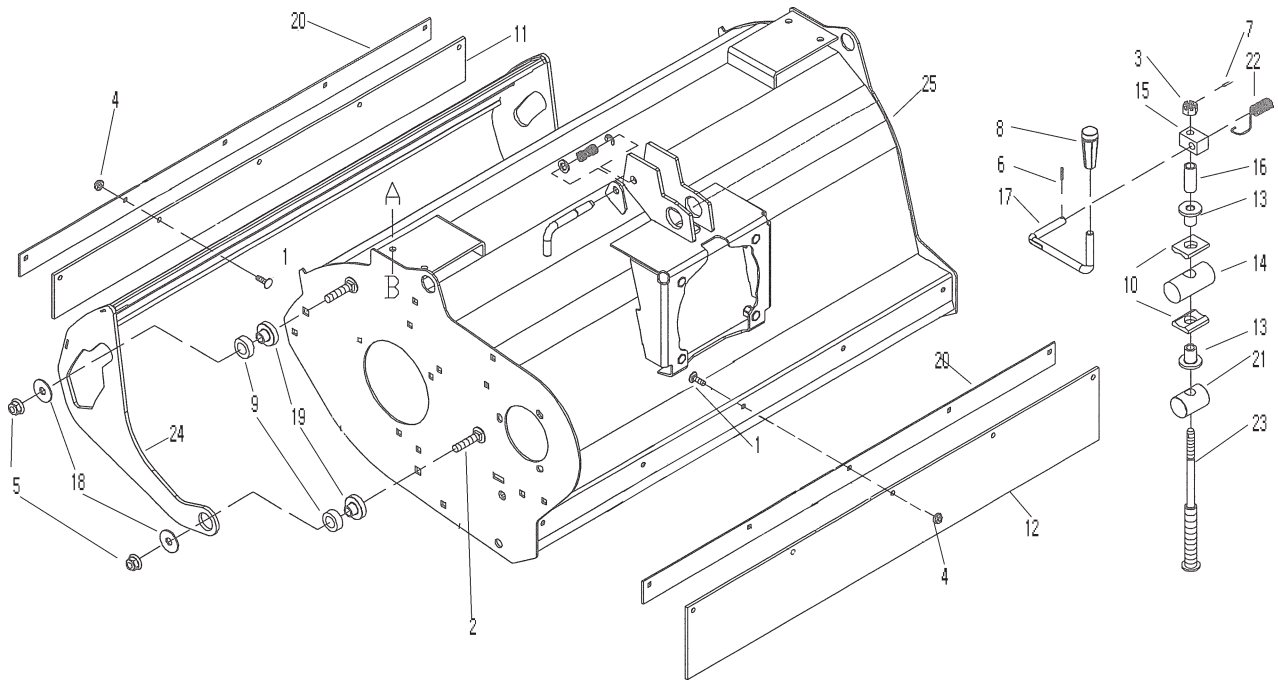
A M E R I C A



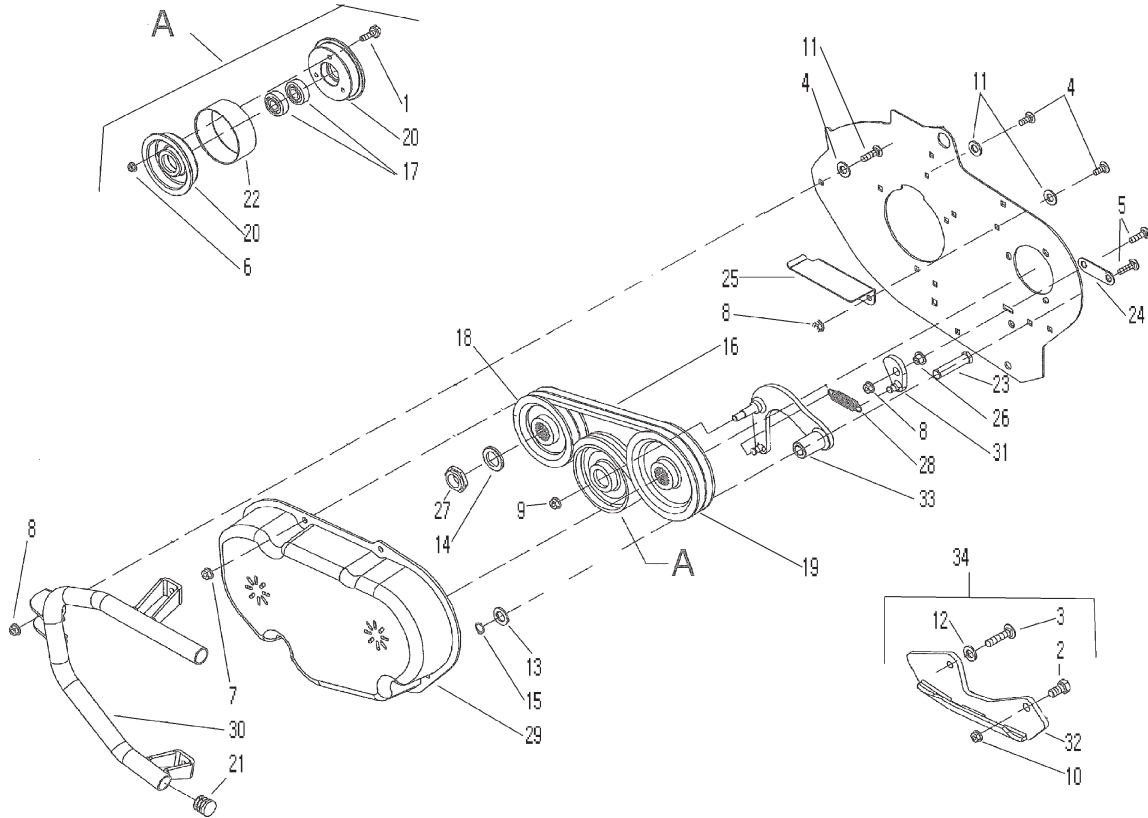
ID	PART NO	DESCRIPTION	ID	PART NO	DESCRIPTION
1	311.12166	SCREW HEX M8X25	22	593.59601	BEVEL GEAR 40/14
2	312.41084	NUT	23	F0812504050	BUSHING
3A	314.00215	SHIM 45X55/0.2			
3B	314.00216	SHIM 45X55/0.3			
4	351.11055	SNAP RING INTERNAL D 55			
5	351.11062	SNAP RING INTERNAL D 62			
6	351.21030	SNAP RING EXTERNAL D 30			
7	371.12229	BEARING M30X55X13			
8	371.12299	BEARING M30X55X13			
9	379.11032	BALL 5/16 RIV RB 7 938			
10	381.15682	ORING 56X82X2.62			
11	381.16510	ORING			
12	382.13500	OIL SEAL 35X47X7			
13	524.59605	COUPLING			
14	524.59688				
15A	532.59300	SLEEVE			
15B	532.59600				
16	541.58088	BRAKE CONE			
17	561.59613	BEARING ASSY			
18	561.59677	SPACER, INNER			
19A	564.59428	SHAFT 30"			
19B	564.59676	SHAFT 24"			
20	580.59612	SPRING			
21A	581.25949	SHIM			
21B	581.25950	SHIM			



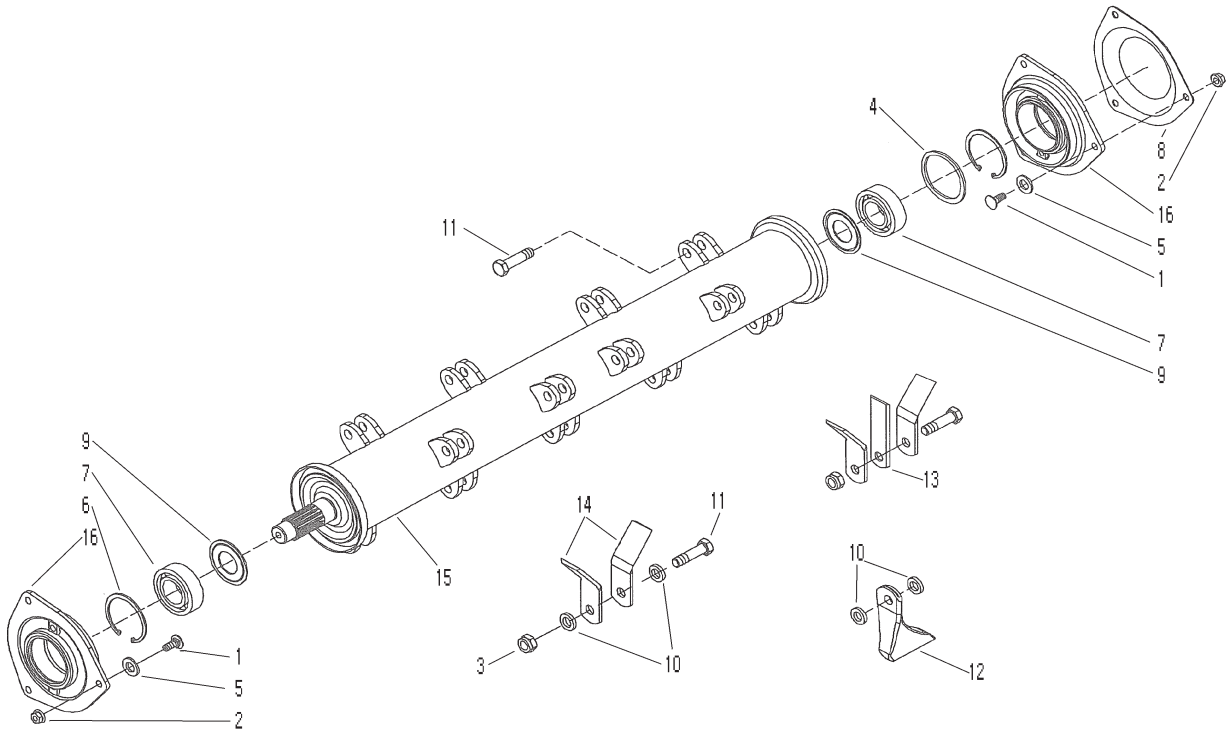
ID	PART NO	DESCRIPTION	ID	PART NO	DESCRIPTION
1	300.40001	PLUG 1/4 GAS UNI 364	12	511.59670	GEAR ASSY
2	311.12166	SCREW HEX M8X25	13	524.59673	GEAR CONDUCTOR Z=35
3	311.12212	CAPSCREW M10X35	14	524.59674	
4	313.12097	BOLT STUD M8X98X16X28	15	532.59671	
5A	314.00212	SHIM 42X52/0.2	16	564.43655	CAP
5B	314.00213	SHIM 42X52/0.3	17	580.43053	PIN, D6X18
6A	314.00230	SHIM 70X90/0.2	18	580.48021	SPRING
6B	314.00231	SHIM 70X90/0.3	19	590.51045	OIL PLUG
7	314.21101	WASHER SUPER M10	20	593.59601	BEVEL GEAR 40/14
8	371.11255	BEARING 25X52X15 6205	21	F0812631000	BEARING 20X42/12 6004
9	371.11390	BEARING 40X68X15 6008			
10	371.11700	BEARING 65X90X13			
11	382.13802	OIL SEAL 38X52X7			



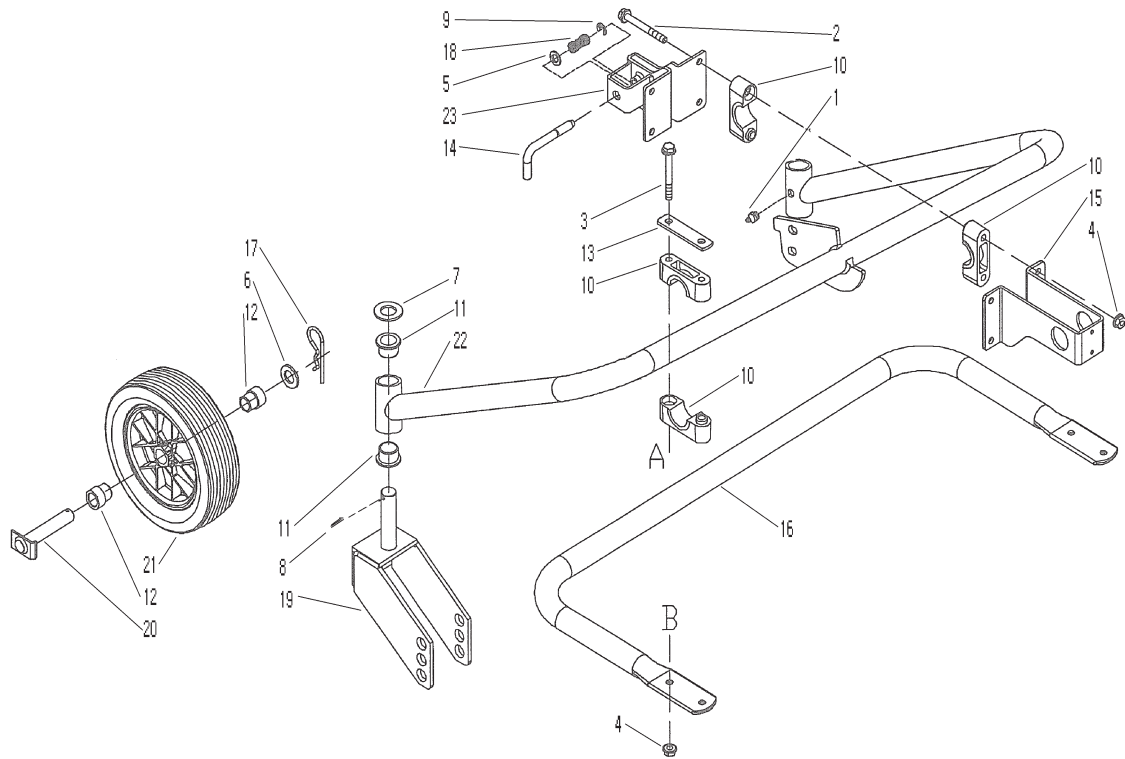
ID	PART NO	DESCRIPTION	ID	PART NO	DESCRIPTION
1	311.21558	BOLT M6X16	14	561.32117	PIN
2	311.22603		5	561.32397	BLOCK SMALL
3	312.01210	NUTM10	16	561.32398	
4	312.41065	LOCK NUT, M6	17	561.59311	ROD
5	312.41100	LOCKNUT M10 STANDARD	18	561.59325	
6	341.10023	PIN SPLIT 5X22 A2	19	561.59335	SLEEVE
7	342.13022	PIN SPLIT SW 3X22 SPIROL	20A	561.59436	
8	551.42076	KNOB	20B	561.59437	
9	551.59912		21	571.32114	SCREWNUT
10	552.32116	BEARING ASSY	22	580.59310	
11A	552.59435	SPLASH GUARD ??	23	590.32110	ROD
11B	552.59438	SPLASH GUARD ??	24A	590.59314	
12A	552.59439	SPLASH GUARD	24B	590.59315	
12B	552.59958	SPLASH GUARD	25A	592.59321	
13	561.32115	BUSHING	25B	592.59323	



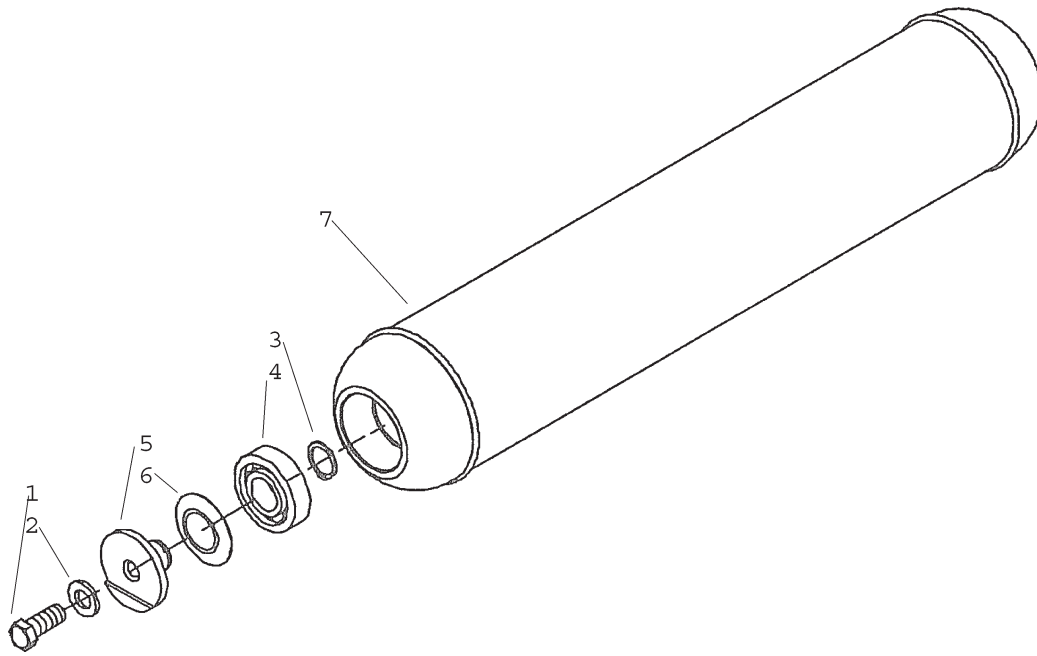
ID	PART NO	DESCRIPTION	ID	PART NO	DESCRIPTION
1	311.12085	SCREW HEX M6X16	21	552.48241	CAP D=25
2	311.12272	CAPSCREW M12X30	22	561.19632	PULLEY INNER HOUSING
3	311.22615		23	561.59334	
4	311.22802	CAPSCREW	24	561.59337	
5	311.22803	SCREW	25	561.59429	
6	312.41065	NUT SELF LOCK M6	26	563.59336	
7	312.41083	LOCKNUT, M8	27	580.32873	
8	312.41084	NUT	28	580.57247	CAP SPRING
9	312.41100	LOCKNUT, M10	29	580.59410	
10	312.41120	LOCKNUT M12	30	590.59326	
11	314.11130	WASHER FLAT M13X24	31	590.59338	CONNECTION
12	314.11170	WASHER FLAT M17X30	32	590.59415	
13	314.14150		33	592.59328	LEVER
14	314.15250	WASHER FLAT M25	34	922.90894	SKID SET
15	351.21014	SNAP RING EXTERNAL D 14			
16	362.00200	V-BELT			
17	371.12105	BEARING 12X37X12 6301 2RS			
18	511.59695	PULLEY			
19	511.59696	PULLEY			
20	532.19630	PULLEY OUTSIDE/INSIDE			



ID	PART NO	DESCRIPTION	ID	PART NO	DESCRIPTION
1	311.22803	CAPSCREW M8X25	10	561.94016	SPACER
2	312.41084	NUT	11	580.58359	SCREW
3	312.41121	LOCKNUT M12, LOW PROFILE	12	581.59950	(OPTIONAL)
4A	314.00220	SHIM 50X62/0.2	13	581.59952	(OPTIONAL)
4B	314.00222	SHIM 50X62/1.5	14	581.93581	KNIFE, FLAIL MOWER
4C	314.00223	SHIM 50X62/0.5	15A	590.59318	ROLLER AXLE 24IN
5	314.11130	WASHER FLAT M13X24	15B	590.59320	ROLLER AXLE 30IN
6	351.11062	SNAP RING INTERNAL D 62	16	590.59949	FLANGE
7	371.12298	BEARING		592.59456	(OPTIONAL)
8	561.58382	GUARD		592.59457	(OPTIONAL)
9	561.93937	GUARD			



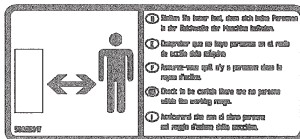
ID	PART NO	DESCRIPTION	ID	PART NO	DESCRIPTION
1	300.00001	FITTING GREASE STRAIGHT	16A	561.59422	
2	311.12172	SCREW	16B	561.59442	
3	311.12176		17	580.02052	PIN
4	312.41084	NUT	18	580.52050	SPRING
5	314.11104	WASHER FLAT M10.5X18	19	590.47357	FORK
6	314.11170	WASHER FLAT M17X30	20	590.47370	WHEEL PIN
7	314.11210	WASHER FLAT M21X37	21	590.47377	WHEEL
8	341.10042	PIN COTTER A 4X30	22A	590.59423	GAUGE WHEEL SUPPORT
9	352.11080	SPLIT RING OUTSIDE	22B	592.59443	
10	552.32104	BEARING	23	590.59431	
11	552.43904	BUSHING			
12	552.47373	BUSHING WHEEL			
13	561.32109				
14	561.52053	ADJUSTING PIN			
15	561.59433				



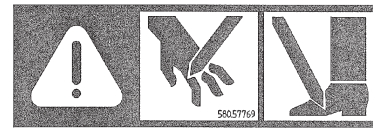
ID	PART NO	DESCRIPTION	ID	PART NO	DESCRIPTION
1	311.12265	HEX. SCREW M12X40			
2	314.21130	WASHER SUPER M12			
3	351.21020	SNAP RING EXTERNAL			
4	371.12204	BEARING 20X52X15			
5	563.58354	PIN			
6	571.40533	LOWER END			
7A	590.59302				
7B	590.59446				
	922.90892	ANTI-SCALP ROLLER COMP. 30"			
	922.90893	ANTI-SCALP ROLLER COMP. 24"			



1



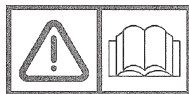
2



6



4



5

BladeRunner 75

7



3

BladeRunner 60

8

ID	PART NO	DESCRIPTION	ID	PART NO	DESCRIPTION
1	580.33228	DECAL,			
2	580.35617	DECAL,			
3	580.47978	DECAL, DANGER			
4	580.51337	DECAL, HEIGHT			
5	580.57724	DECAL, READ OP. MANUAL			
6	580.57769	DECAL,			
7	580.59427	DECAL, BLADERUNNER 75 (30")			
8	580.59445	DECAL, BLADERUNNER 60 (24")			