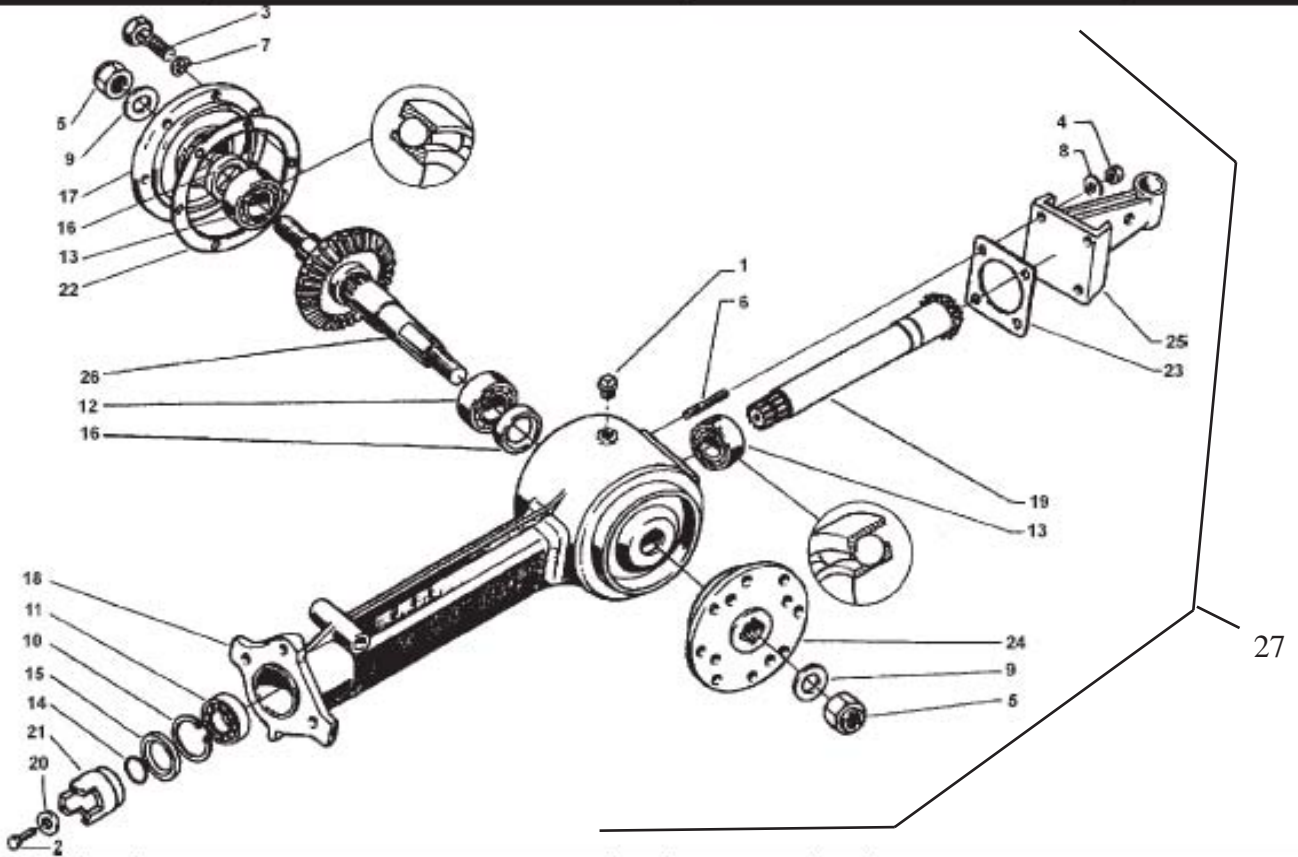
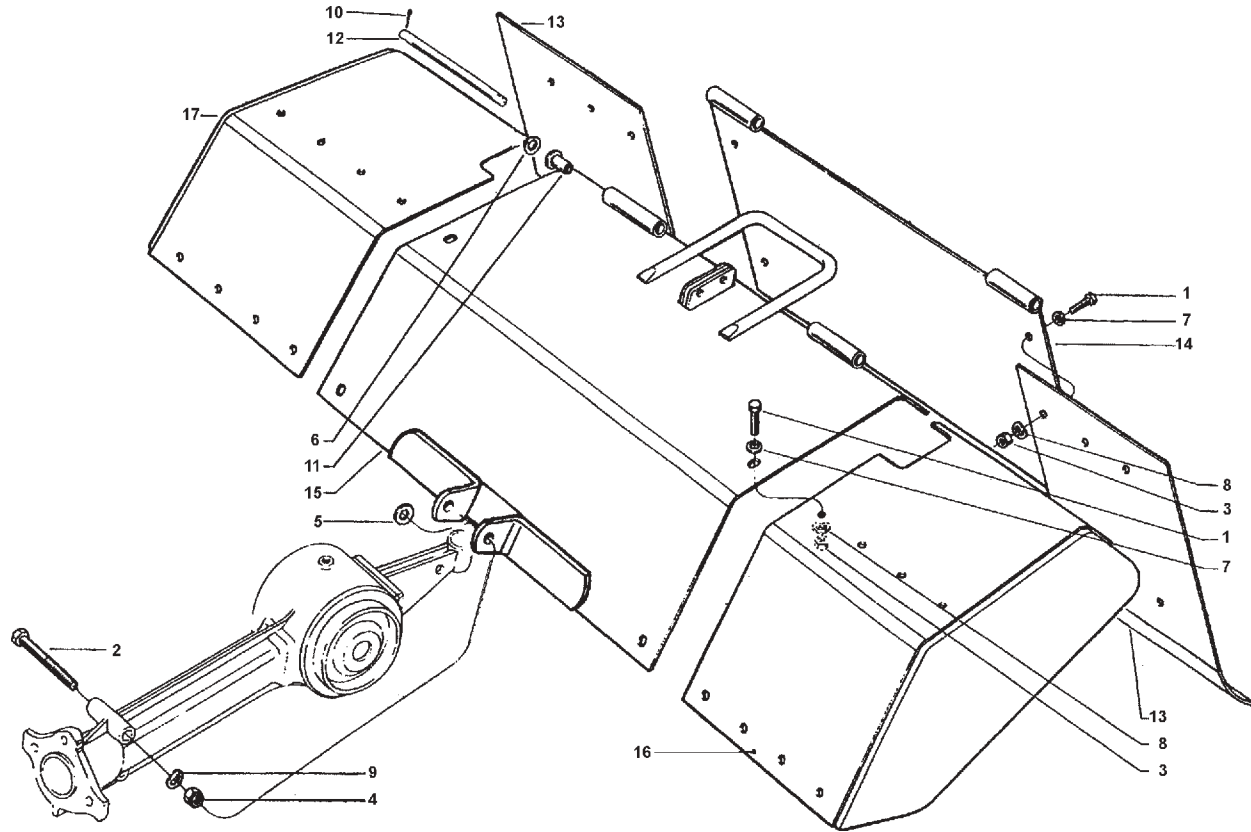




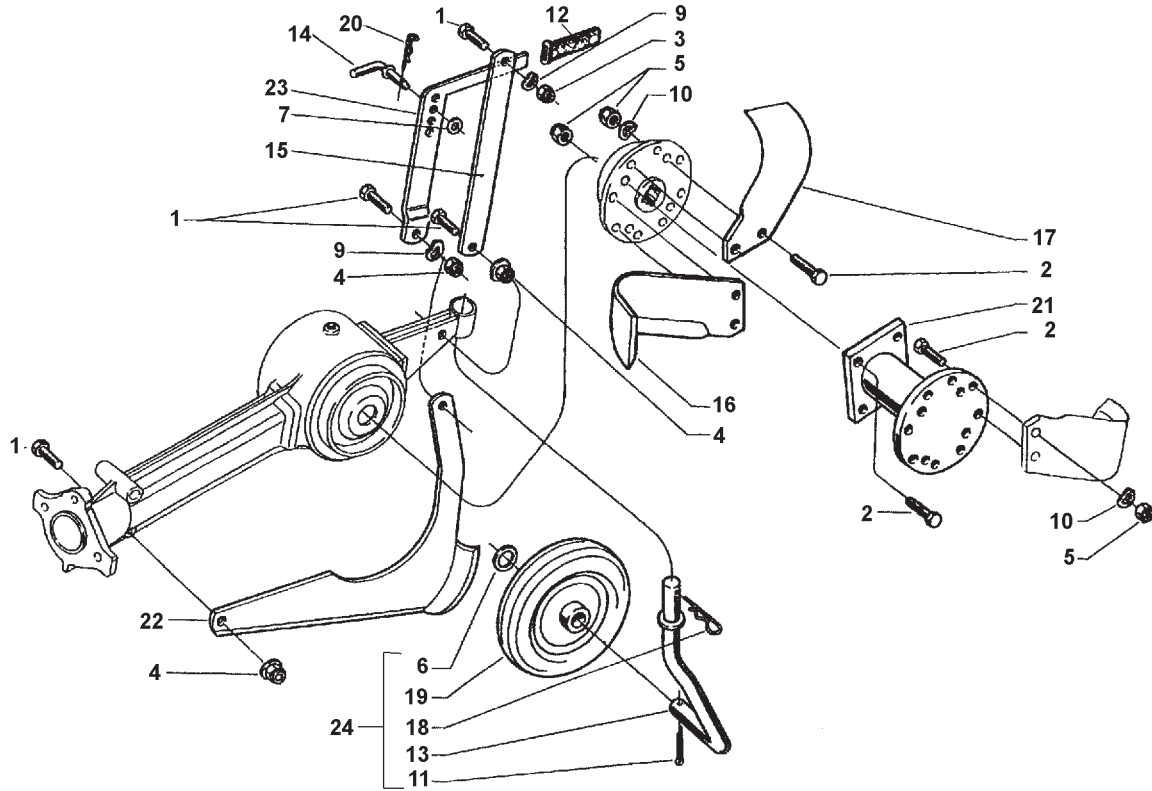
A M E R I C A



ID	PART NO	QTY	DESCRIPTION	ID	PART NO	QTY	DESCRIPTION
1	300.40001		PLUG 1/4 GAS	16	382.13001		OIL SEAL 30X52X10
2	311.12093		CAPSCREW M6X20	17	511.49676		SIDE COVER
3	311.12151		CAPSCREW M8X25	18	512.49675		GEAR HOUSING
4	312.41105		LOCKNUT M10 DEFORMED	19	524.59227		PINION
5	312.41181		LOCKNUT M18X1.5	20	561.42291		WASHER 7X25X4
6	313.12101		STUD M10X37X15X19 GRADE 8	21	564.58944		THREE FINGER COUPLER
7	314.21083		WASHER SUPER M8	22	580.49677		GASKET
8	314.21101		WASHER SUPER M10	23	580.49696		GASKET
9	314.21253		WASHER SUPER M18	24	590.49687		HUB
10	351.11052		SNAP RING INTERNAL D 52	25	590.49697		PLATE BRACKET END
11	371.11255		BEARING 25X52X15 6205 C3	26	590.49736		BEVEL GEAR
12	371.11300		BEARING 30X62X16 6206 CS/Z	27	599.90108		COMPLETE GEARBOX
13	371.41301		BEARING 30X62X16 6206				
14	381.11800		ORING 4075 18.64X3.53				
15	382.02002		OIL SEAL 35X52X7				



ID	PART NO	QTY	DESCRIPTION	ID	PART NO	QTY	DESCRIPTION
1	311.12210		CAPSCREW M10X20	11	551.42109		BUSHING
2	311.12295		CAPSCREW M12X90	12	561.42110		PIN, COUPLING
3	312.11100		NUT M10	13	561.49720		FLAP, REAR
4	312.41120		NUT SELF LOCKING M12	14	590.49722		FLAP, CENTER
5	314.10131		WASHER FLAT M13.5X27X1	15	590.49724		COVER, CENTER
6	314.11104		WASHER FLAT M10.5X18	16	590.49725		COVER, END LEFT
7	314.11105		WASHER FLAT M10.5X21	17	590.49728		COVER, END RIGHT
8	314.23105		WASHER WAVY B 10.5				
9	314.23130		WASHER WAVY LOCK B 13				
10	341.10028		PIN COTTER A 2X15				



ID	PART NO	QTY	DESCRIPTION	ID	PART NO	QTY	DESCRIPTION
1	311.12211		CAPSCREW M10X30	16	565.49707		TINE WIDE LEFT
2	311.12264		CAPSCREW M12X35	17	565.49708		TINE WIDE RIGHT
3	312.41100		LOCKNUT M10 STANDARD	18	580.02052		PIN
4	312.41105		LOCKNUT M10 DEFORMED	19	580.42468		RUBBER WHEEL
5	312.41120		NUT SELF LOCKING M12	20	580.50533		CLIP
6	314.00181		WASHER	21	590.49690		SPINDLE
7	314.11104		WASHER FLAT M10.5X18	22	590.49702		KNIFE, CENTER
8	314.21253		WASHER SUPER M18	23	590.49734		KNIFE ROD
9	314.23105		WASHER WAVEY B M10.5	24	922.42465		TILLER TRANSPORT WHEEL COMPLETE
10	314.23130		WASHER WAVY LOCK B M13				
11	341.10042		PIN COTTER A 4X30				
12	551.02714		KNOB				
13	561.42467		AXLE SUPPORT				
14	561.48625		PIN ADJUSTMENT				
15	561.49705		BAR				