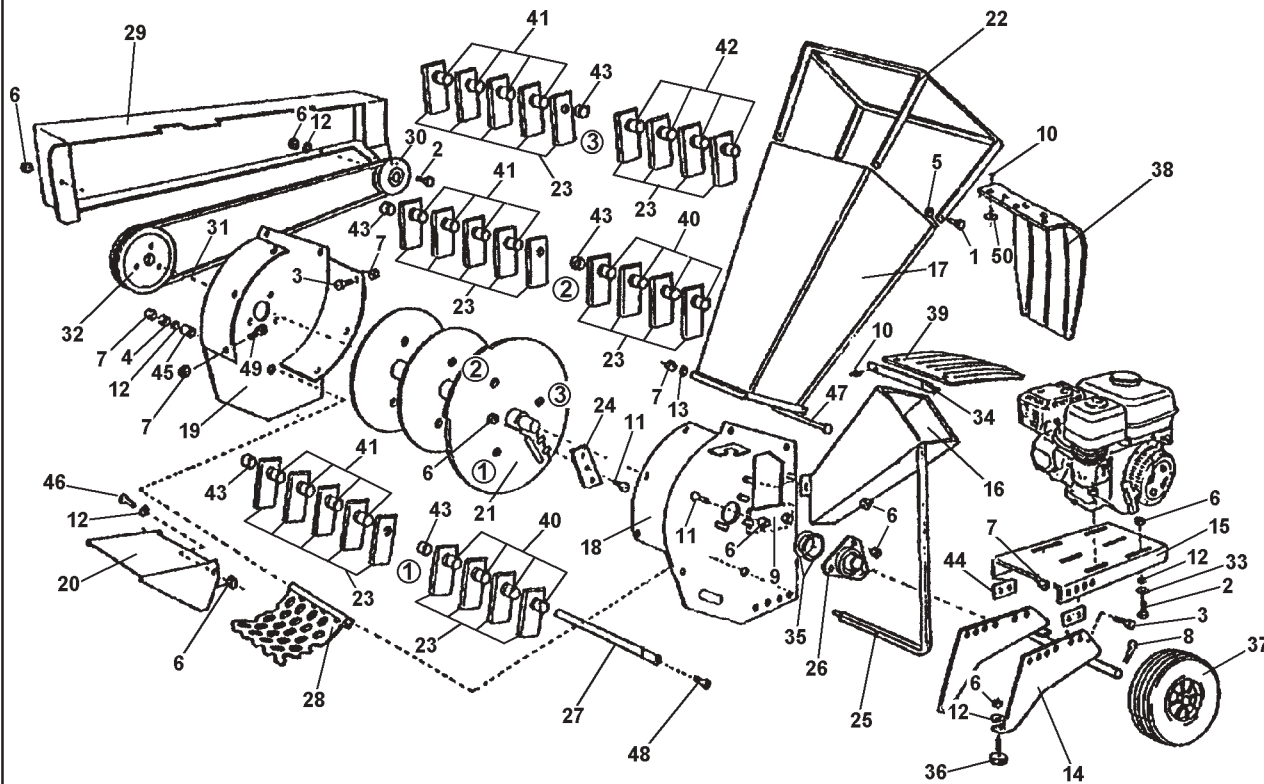


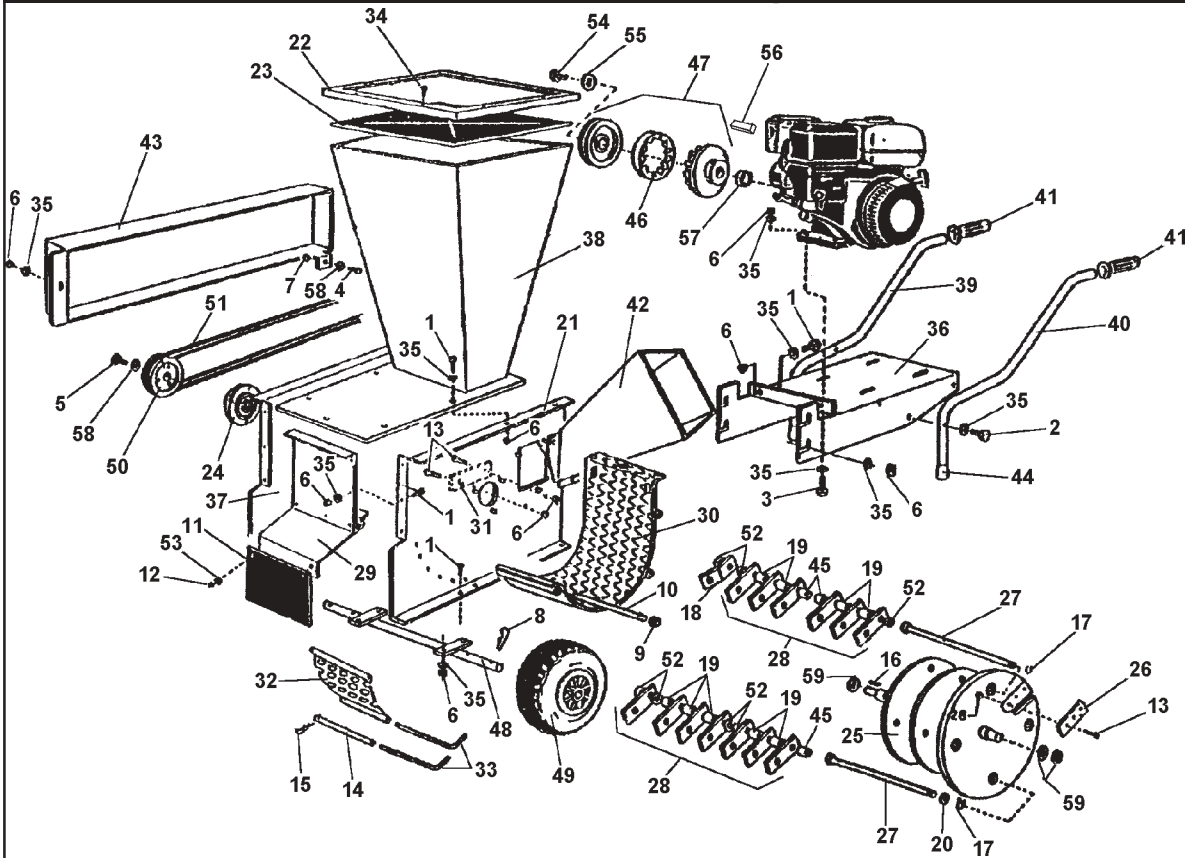


A M E R I C A



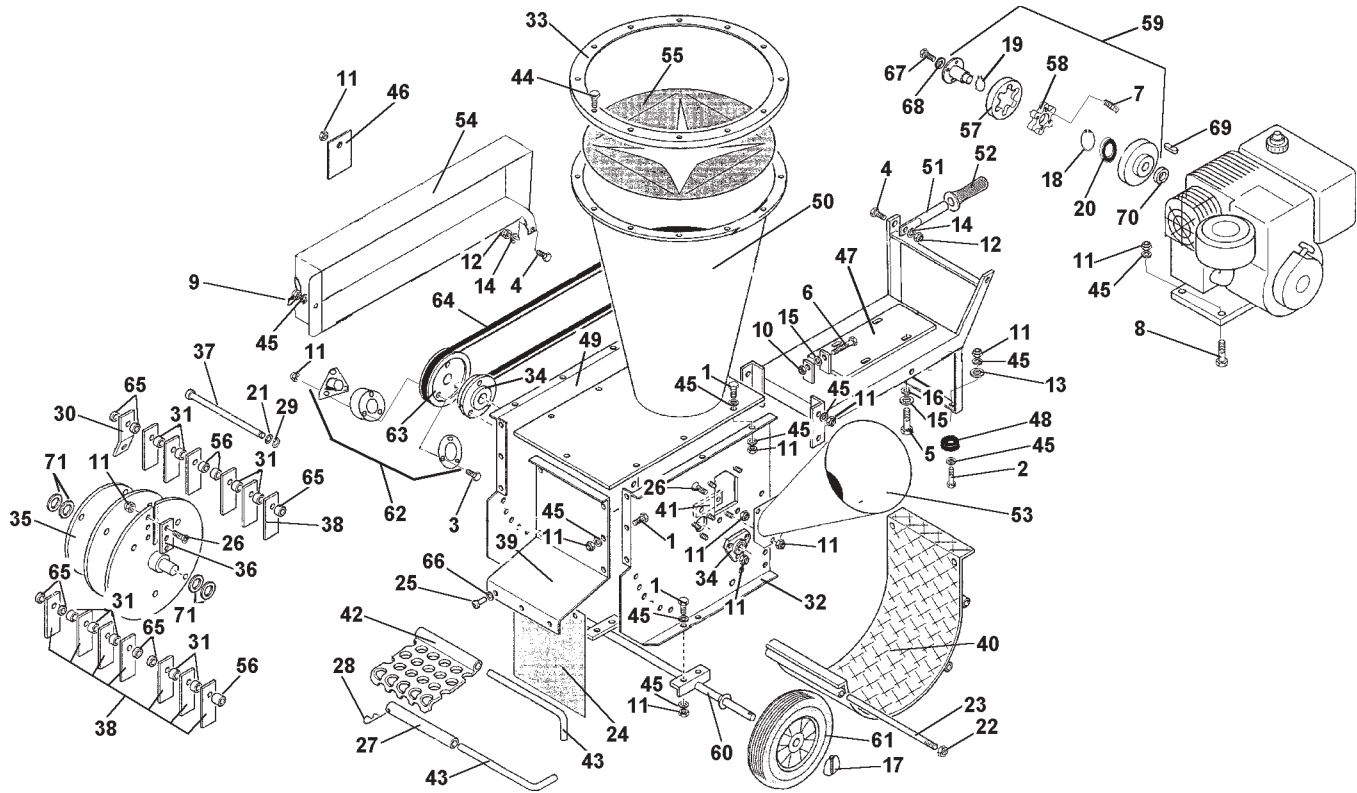
ID	PART NO	QTY	DESCRIPTION	ID	PART NO	QTY	DESCRIPTION
1	311.12090		SCREW M6X16	26	581.58212		SUPPORTS
2	311.12154		SCREW M8X40	27	581.58213		ROD
3	311.12219		SCREW M10X25	28	581.58214		SCREEN
4	312.11100		NUT M10	29	581.58215		CRANKCASE
5	312.41060		NUT, SELF LOCKING M6	30	581.58216		PULLEY
6	312.41080		NUT, SELF LOCKING M8	31	581.58217		BELT A49
7	312.41100		NUT, SELF LOCKING M10	32	581.58218		PULLEY
8	580.02052	**	PIN	33	581.58219		PLATE
9	581.27424		STATIONARY BLADE	34	581.58220		ANGLE BAR
10	581.27432		RIVET 4.9X16	35	581.58221		SHIM
11	581.27433		COUNTER SUNK BOLT, M8X25	36	581.58222		RUBBER FOOT
12	581.27484		WASHER	37	581.58223		WHEELS
13	581.27491		WASHER	38	581.58224		FLAP
14	581.58200		FRAME	39	581.58225		FLAP
15	581.58201		ENGINE SUPPORT	40	581.58226		SPACER
16	581.58202		CHIPPER CHUTE	41	581.58227		SPACER
17	581.58203		HOPPER	42	581.58228		SPACER
18	581.58204		RIGHT SIDE WALL	43	581.58229		SPACER
19	581.58205		LEFT SIDE WALL	44	581.58230		SPACER
20	581.58206		FLAP	45	581.58232		SPACER
21	581.58207		FLYWHEEL	46	581.58233		SCREW M8X20
22	581.58208		PROTECTION	47	581.58234		SCREW M10X20
23	581.58209		KNIVES	48	581.58235		SCREW M10X15
24	581.58210		BLADE	49	581.58236		SCREW M10X16
25	581.58211		SCREEN LEVER	50	581.58237		FLAT WASHER

**= THESE PARTS ARE INTERCHANGEABLE WITH THE GENERATION II UNITS



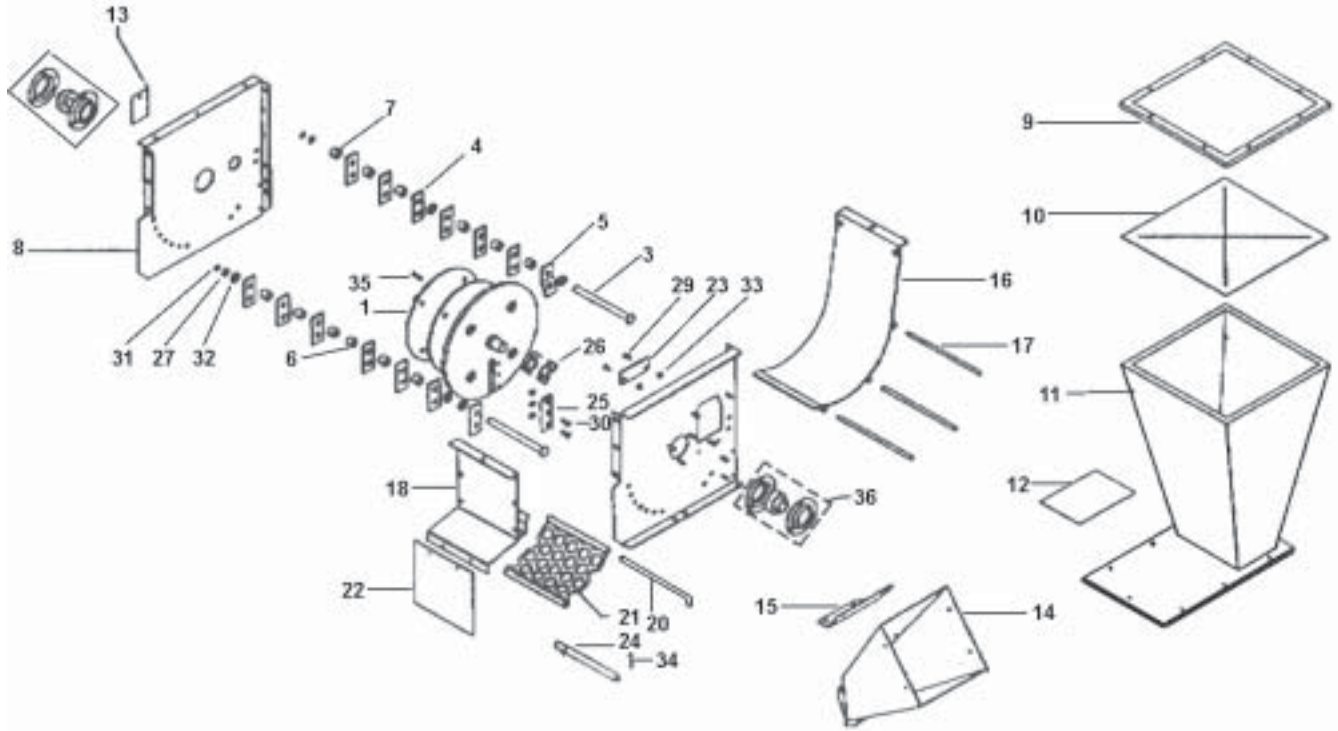
ID	PART NO	QTY	DESCRIPTION	ID	PART NO	QTY	DESCRIPTION
1	311.12150		SCREW, M8X20	31	581.27474		BLADE STATIONARY**
2	311.12154		SCREW, M8X40	32	581.27475		SCREEN **
3	311.12161		SCREW, M8X50	33	581.27476		ROD **
4	311.12211		SCREW, M10X30	34	581.27479		SCREW, M6.3X19
5	311.12219		SCREW M10X25	35	581.27484		WASHER
6	312.41080		NUT, SELF LOCKING, M8	36	581.58250		ENGINE PLATE
7	312.41100		NUT, SELF LOCKING, M10	37	581.58251		LEFT SIDE WALL
8	580.02052		PIN **	38	581.58252		HOPPER
9	581.27427		NUT, M12	39	581.58253		RIGHT HANDLE STEM
10	581.27428		ROD	40	581.58254		LEFT HANDLE STEM
11	581.27431		SHIELD **	41	581.58255		HANDLE KNOB
12	581.27432		RIVET, 4.9X16	42	581.27451		CHIPPER CHUTE, SQUARE
13	581.27433		COUNTER SUNK BOLT, M8X25	43	581.58259		BELT CRANKCASE
14	581.27436		SLEEVE	44	581.58261		RUBBER FOOT
15	581.27437		COTTER PIN	45	581.58262		SPACER
16	581.27438		KEY	46	581.58263		CLUTCH LINING
17	581.27439		CIRCLIP	47	581.58264		CLUTCH ASSEMBLY
18	581.27440		L BLADE **	48	581.58265		WHEEL SUPPORT
19	581.27441		SPACER **	49	581.58266		WHEELS
20	581.27442		SPACER	50	581.58267		PULLEY ASSEMBLY
21	581.27453		RIGHT SIDE WALL	51	581.58268		BELT
22	581.27454		DEFLECTOR SUPPORT **	52	581.58269		WASHER
23	581.27455		HOPPER FLAP **	53	581.58270		WASHER
24	581.27458		SUPPORT & BEARING **	54	581.58271		SCREW
25	581.27459		DRUM **	55	581.58273		WASHER
26	581.27460		BLADE **	56	581.58274		KEY
27	581.27461		SHAFT HAMMER W/SNAP RING **	57	581.58275		SPACER
28	581.27462		KNIVES **	58	581.58276		WASHER
29	581.27470		DEFLECTOR, DISCHARGE **	59	581.58277		SHIM
30	581.27471		PANEL, BOTTOM **				

**= THESE PARTS ARE INTERCHANGEABLE WITH THE GENERATION II UNITS

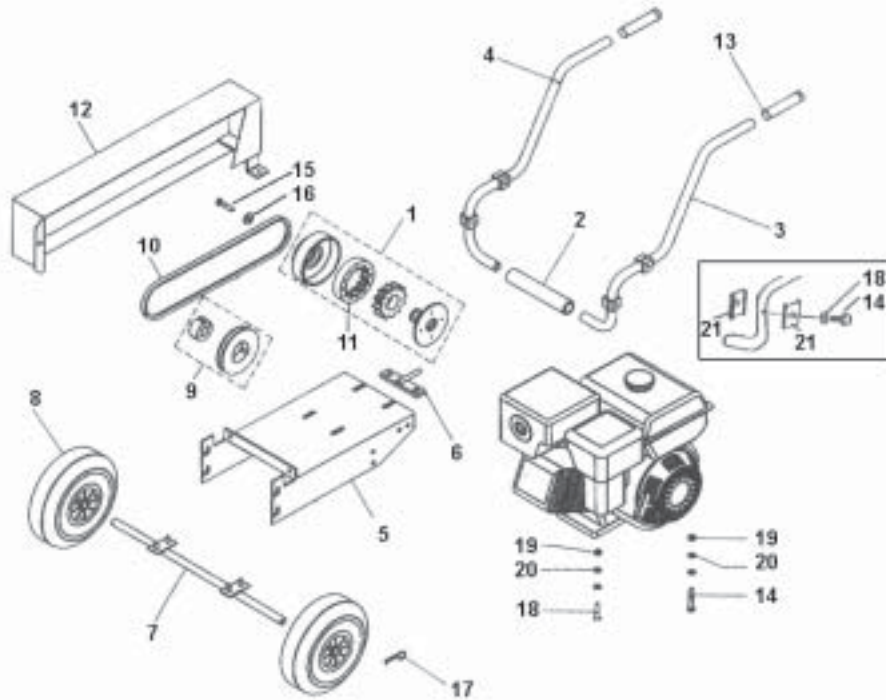


ID	PART NO	QTY	DESCRIPTION	ID	PART NO	QTY	DESCRIPTION
1	311.12150		SCREW, M8X20	36	581.27460		BLADE **
2	311.12153		SCREW, M8X35	37	581.27461		SHAFT HAMMER W/SNAP RING **
3	311.12157		SCREW, M8X50	38	581.27462		KNIVES**
4	311.12211		SCREW, M10X30	39	581.27470		DEFLECTOR, DISCHARGE**
5	311.12266		SCREW M12X16	40	581.27471		PANEL, BOTTOM **
6	311.12705		SCREW, M12X140	41	581.27474		BLADE STATIONARY **
7	311.52060		SCREW, M6X30	42	581.27475		SCREEN**
8	311.52083		SCREW, M8X30	43	581.27476		ROD **
9	312.00501		"W" NUT	44	581.27479		SCREW, M6.3X19
10	312.11120		NUT, M12	45	581.27484		WASHER
11	312.41080		NUT, SELF LOCKING, M8	46	581.27496		PLATE
12	312.41100		NUT, SELF LOCKING	47	581.58201R		ENGINE PLATE
13	314.11090		WASHER, FLAT, M8.4	48	581.58222R		RUBBER FOOT
14	314.11105		WASHER	49	581.58251		LEFT SIDE WALL
15	314.11130		WASHER, FLAT, M13	50	581.58252		HOPPER
16	314.23130		WASHER, LOCK, M13	51	581.58253R		HANDLE STEM
17	342.40001		QUICKPIN	52	581.58255R		HANDLE KNOB
18	351.11062		CIRCLIP, LARGE, CLUTCH	53	581.58257		CHIPPER CHUTE, ROUND
19	351.21035		CIRCLIP, CLUTCH	54	581.58259		BELT CRANKCASE
20	371.12335		BEARING, M35X62X14, CLUT	55	581.58260R		HOPPER FLAP
21	563.48597		WASHER	56	581.58262		SPACER
22	581.27427		NUT, M12	57	581.58263		CLUTCH LINING
23	581.27428		ROD	58	581.58263R		STAR, CLUTCH
24	581.27431		SHIELD**	59	581.58264		CLUTCH ASSEMBLY
25	581.27432		RIVET, 4.9X16	60	581.58265		WHEEL SUPPORT
26	581.27433		COUNTER SUNK BOLT, M8X25	61	581.58266		WHEELS
27	581.27436		SLEEVE	62	581.58267		PULLEY ASSEMBLY
28	581.27437		COTTER PIN	63	581.58267R		PULLEY, PULLEY ONLY
29	581.27439		CIRCLIP	64	581.58268		BELT
30	581.27440		L BLADE **	65	581.58269		WASHER
31	581.27441		SPACER**	66	581.58270		WASHER
32	581.27453		RIGHT SIDE WALL	67	581.58271		SCREW
33	581.27454R		DEFLECTOR SUPPORT	68	581.58273		WASHER
34	581.27458		SUPPORT & BEARING**	69	581.58274		KEY
35	581.27459		DRUM	70	581.58275		SPACER
				71	581.58277		SHIM

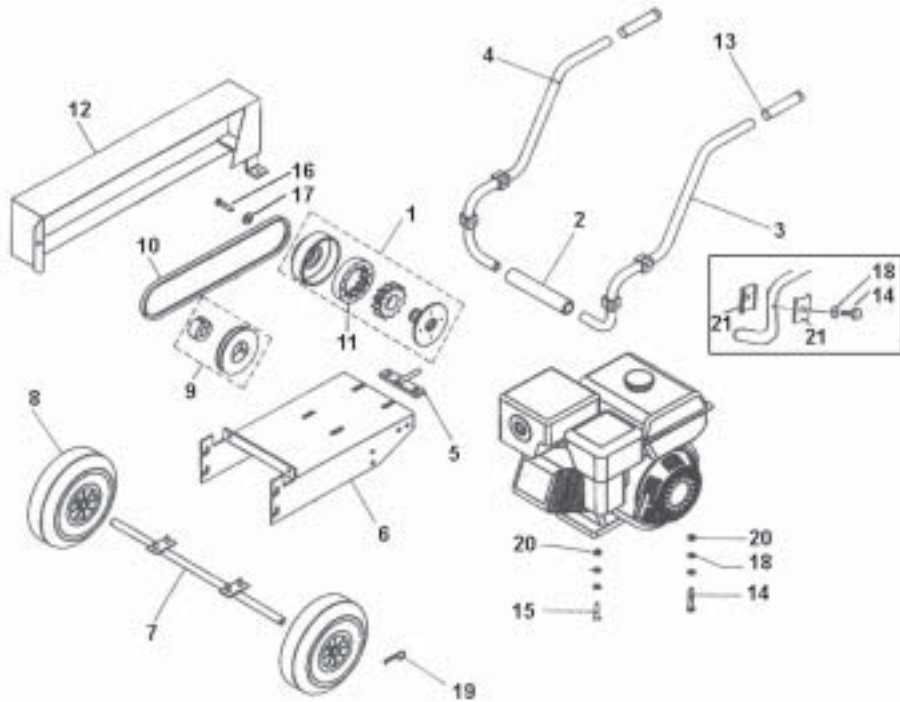
**= THESE PARTS ARE INTERCHANGEABLE WITH THE GENERATION II UNITS



ID	PART NO	QTY	DESCRIPTION	ID	PART NO	QTY	DESCRIPTION
1	010101000	1	ROTOR	21	012800000	1	SCREEN
NI	010101001	1	ROTOR COMPLETE	22	012900000	1	SHEILD
3	010102000	4	SHAFT, HAMMER	23	013000000	1	BLADE, STATIONARY
4	010103000	26	HAMMER, STRAIGHT	24	013200000	5	SLEEVE
5	010104000	2	HAMMER, L-SHAPED	25	013300000	1	BLADE
6	010105000	16	SPACER	26	021100002		
7	010108001	12	SPACER	27	080009016	4	SHIM
8	010141000	1	PANEL	NI	205000000	1	
9	010300000	1	DEFLECTOR SUPPORT	29	500011008	2	BOLT
10	010302000	1	HOPPER FLAP	30	500012008	3	BOLT
11	010304000	1	HOPPER	31	510012000	4	CIRCLIP
12	010610000	1	DECAL	32	511120020	10	WASHER
13	011300000	1		33	520002008	3+2	NUT
14	011800050	1	CHIPPER CHUTE	34	530003000	5	COTTER PIN
15	011800051	1	SUPPORT PLATE, CHUTE	35	530004000	1	KEY
16	012000000	1	PANEL, BOTTOM	36	550002030	2	BEARING ASSEMBLY
17	012100000	3	SLEEVE				
18	012200000	1	DISCHARGE DEFLECTOR				
19	012500001	1	PANEL				
20	012700000	5	ROD				



ID	PART NO	QTY	DESCRIPTION	ID	PART NO	QTY	DESCRIPTION
1	013800000	1	CLUTCH COMPLETE	16	510000843	1	WASHER
2	013900001	1	RUBBER HOSE	17	520001000	4	LYNCH PIN
3	014300252	1	HANDLEBAR LH	18	520002510	2	BOLT M10X50 HONDA
4	014300253	1	HANDLEBAR RH	19	520007010	4	BLOCK M10 HONDA
5	014500001	1	DECK, ENGINE SUPPORT HONDA	20	530001800	6	WASHER M10 HONDA
6	014500005	1	BELT TENSIONER	21	013900008	8	BLOCK
7	014600000	1	AXLE, WHEEL				
8	014700000	2	WHEEL				
9	014800000	1	PULLEY W TAPER LOCK				
10	014900056	1	BELT, HONDA				
11	019400000	1	CLUTCH RUBBER, STAR				
12	019700000	1	BELT SHIELD HONDA				
13	020903000	2	HANDLE GRIP				
14	500001060	2	BOLT M10X60 HONDA				
15	507160134	1	BOLT 7/16X 1.5" UNF HONDA				
							PLEASE NOTE THAT REF# 21 WAS ONLY USED ON A FEW EARLY UNITS, AFTER THAT REF #21 WAS WELDED TO THE INDIVIDUAL HANDLEBARS.



ID	PART NO	QTY	DESCRIPTION	ID	PART NO	QTY	DESCRIPTION
1	013800000	1	CLUTCH COMPLETE	16	503800112	1	BOLT 3/8 X 1.5" UNF, B&S
2	013900001	1	RUBBER HOSE	17	510000843	1	WASHER
3	014300252	1	HANDLEBAR LH	18	314.11090	6	WASHER M8
4	014300253	1	HANDLEBAR RH	19	520001000	4	LYNCH PIN
5	014500005	1	BELT TENSIONER	20	520002008	4	BLOCK B&S
6	014500011	1	DECK, ENGINE SUPPORT B&S	21	013900008	8	BLOCK
7	014600000	1	AXLE, WHEEL	PLEASE NOTE THAT REF# 21 WAS ONLY USED ON A FEW EARLY UNITS, AFTER THAT REF #21 WAS WELDED TO THE INDIVIDUAL HANDLEBARS.			
8	014700000	2	WHEEL				
9	014800000	1	PULLEY W TAPER LOCK				
10	014900052	1	BELT B&S				
11	019400000	1	CLUTCH RUBBER, STAR				
12	019700001	1	BELT SHIELD B&S				
13	020903000	2	HANDLE GRIP				
14	500070000	6	BOLT M8X60 B&S				
15	501840010	2	BOLT M8X40, B&S				