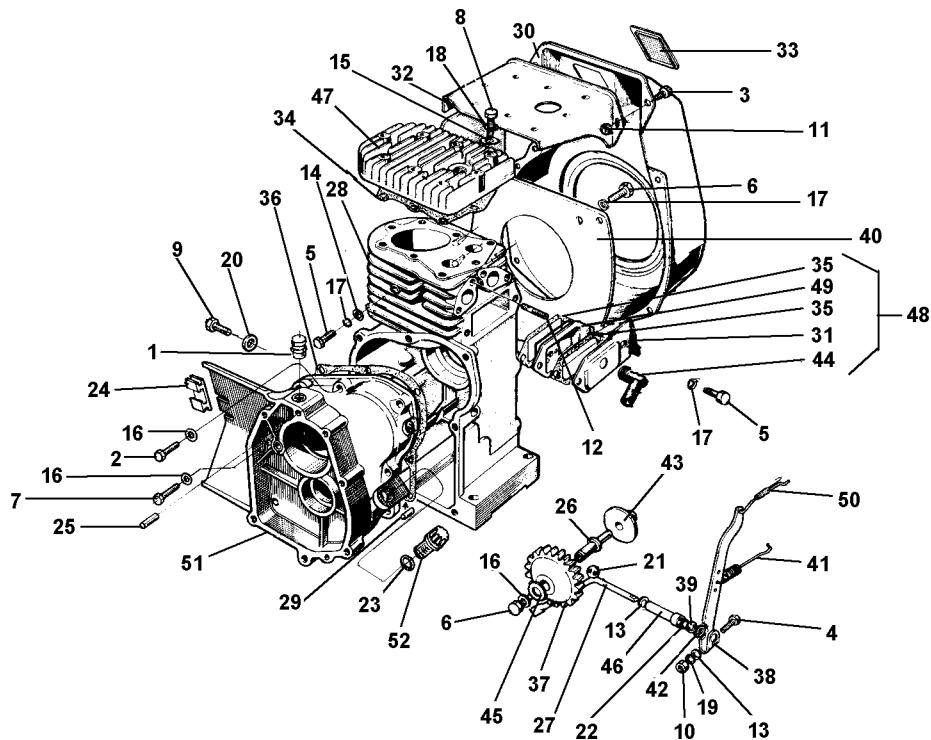
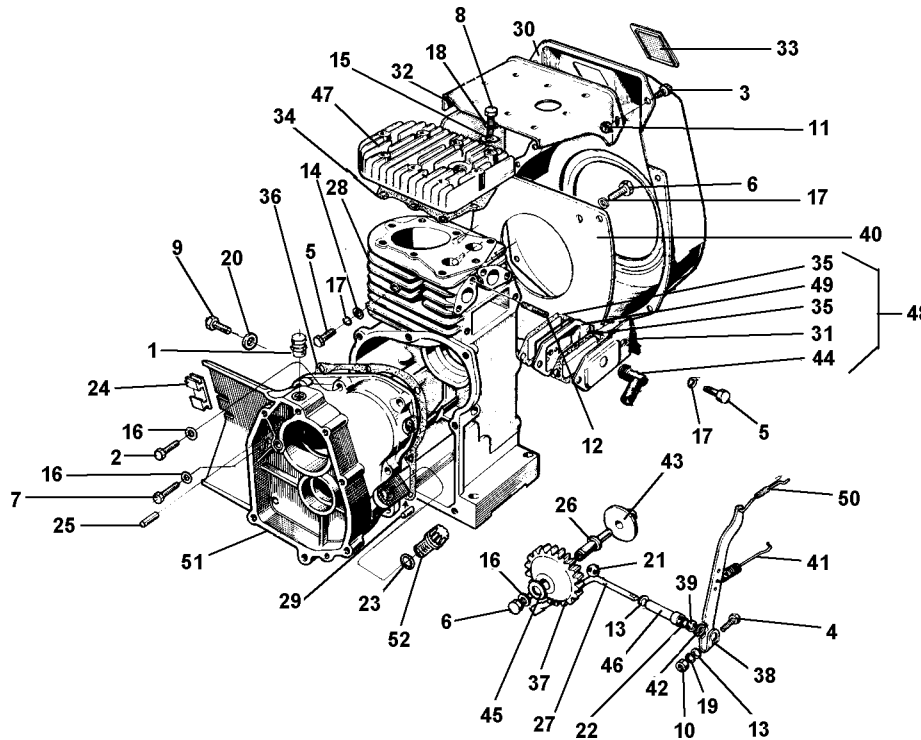




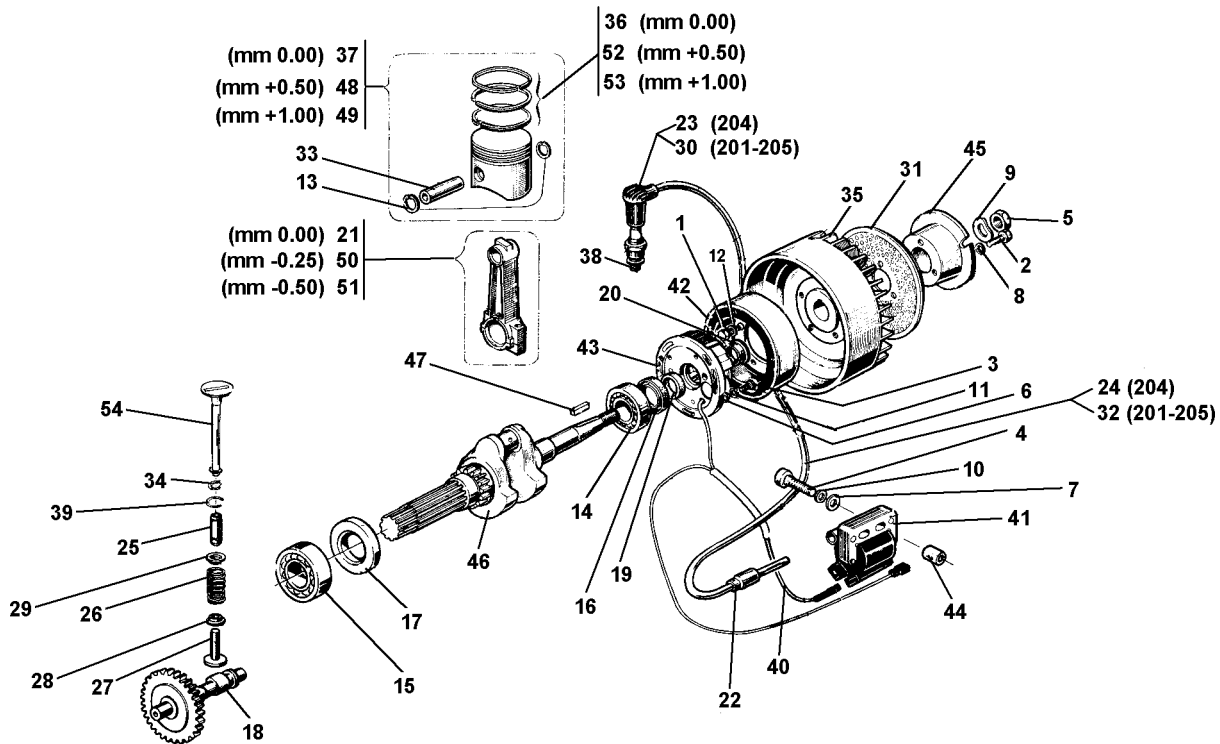
A M E R I C A



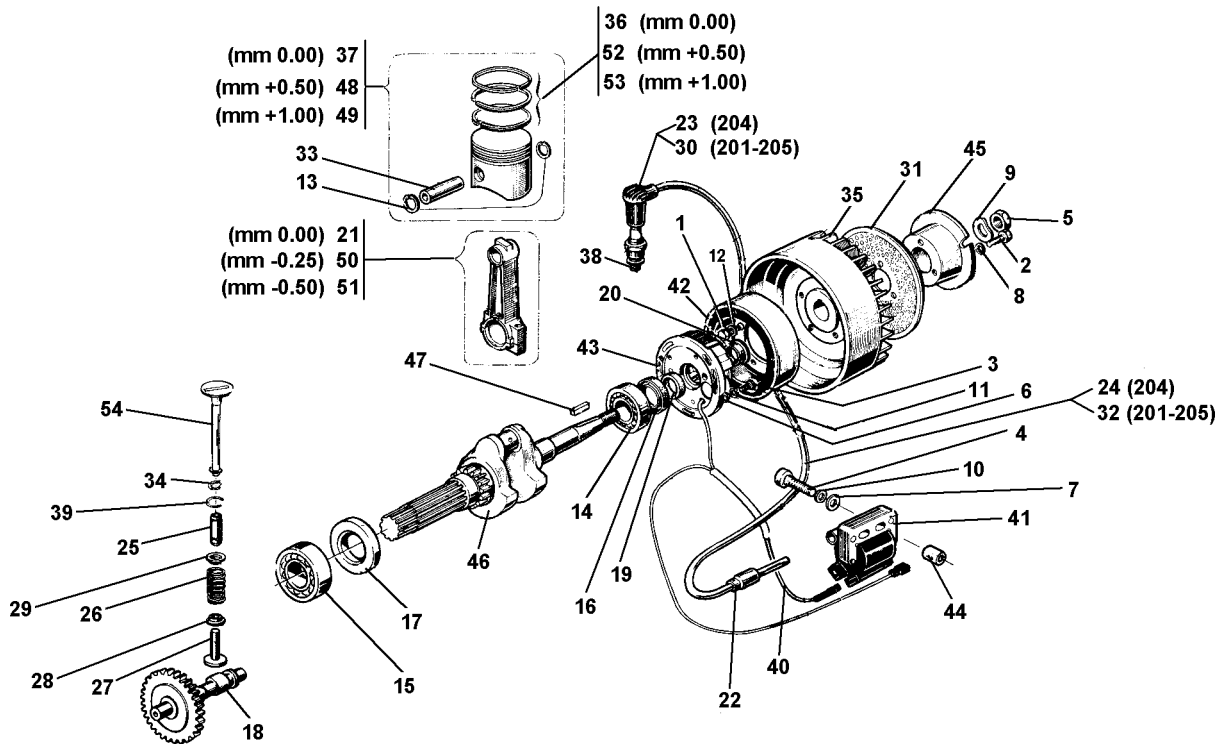
ID	PARTNO	DESCRIPTION	DENOMINACION	NOTES
1	300.40005	BREATHER PLUG	TAPON DE ESCAPE	1 - EARLIER MODELS DID NOT HAVE VENT
2	311.11093	SCREW M6 X 25	TORNILLO M6 X 25	
3	311.12049	SCREW TE M4 X 10 UNI 5739 8G	TORNILLO TE M4 X 10 UNI 5739	
4	311.12060	SCREW M5 X 20	TORNILLO TE M5 X 20	
5	311.12082	SCREW M6 X 12	TORNILLO M6 X 12	
6	311.12090	SCREW TE M6 X 16	TORNILLO TE M6 X 16	
7	311.12092	SCREW M6 X 35	TORNILLO M6 X 35	
8	311.12157	SCREW M8 X 50	TORNILLO M8 X 50	
9	311.12266	SCREW M12 X 16	TORNILLO M12 X 16	
10	312.11050	NUT M5	TUERCA M5	
11	312.41040	NUT	TUERCA	23 - USED WITH PUSH ON PLUG 23 - USED WITH SCREW ON PLUG
12	313.11060	STUD M6 X 24 X 10 X 10	PRISIONERO M6 X 24 X 10 X 10	
13	314.11053	WASHER, FLAT 5.3	ARANDELA PLANA 5.3	
14	314.11064	WASHER, FLAT 6.4	ARANDELA PLANA 6.4	
15	314.11084	WASHER, FLAT 8.4	ARANDELA PLANA 8.4	
16	314.22064	WASHER, LOCK 6.4	ARANDELA DE RES. 6.4	
17	314.24064	WASHER, LOCK 6.4	ARANDELA DE RES. 6.4	
18	314.24084	WASHER, LOCK 8.4	ARANDELA DE RES. 8.4	
19	314.31053	LOCK WASHER 5.3	ARANDELA DENTADA 5.3	
20	314.80126	FLAT WASHER 12.6 X 19 X 2	ARANDELA PLANA 12.6 X 19 X 2	
21	379.11132	BALL 11/32 RIV RB 8.73	BOLA 11/32 RIV RB 8.73	
22	381.10528	O-RING 2021 5.28 X 1.78	OR 2021 5.28 X 1.78	
23	381.11078	O-RING	OR	
23	381.11238	O-RING 3056	OR 3056	
24	551.50273	SPRING PROTECTION	PROTECCION MUELLES	
25	580.43053	PARALLEL PIN D 6 X 20	ESPINA CIL. D 6 X 20	
26	581.50003	GOVERNOR SHAFT	EJE REGULADOR	
27	581.50004	GOVERNOR ROD	VARILLA REGULADOR	
28	581.50007	ENGINE BLOCK	CARTER MOTOR	
29	581.50009	NEEDLE	RODILLO	
30	581.50015	CONVEYOR	CAJA	
31	581.50016	SPRING COVER	TAPA	
32	581.50017	PROTECTION	CAPERUZA	
33	581.50018	PLUG	TAPON	
34	581.50024	HEAD GASKET	GUARNICION	



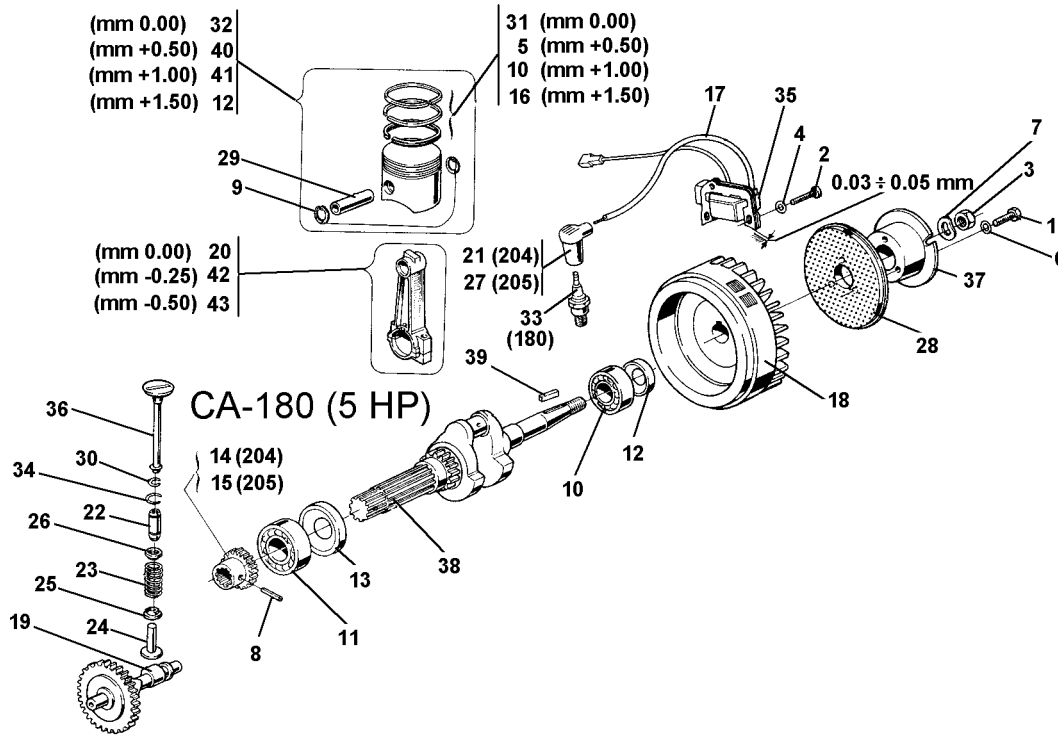
ID	PARTNO	DESCRIPTION	DENOMINACION	NOTES
35	581.50029	GASKET FOR VALVE COVER	GUARNICION	
36	581.50030	REAR GASKET	GUARNICION	
37	581.50033	GOVERNOR GEAR	ENGRANAJE	
38	581.50034	GOVERNOR LEVER	PALANCA REGULADOR	
39	581.50035	GASKET	GUARNICION	
40	581.50036	PLATE	CHAPA	
41	581.50037	GOVERNOR SPRING	MUELLE REGULADOR	
42	581.50039	RETAINING RING	ANILLO ELASTICO	
43	581.50045	GOVERNOR CAP	PLATILLO	
44	581.50051	PIPE	PIPA	
45	581.50054	GEAR WASHER	ARANDELA	
46	581.50058	GOVERNOR ROD SUPPORT	SOPORTE	
47	581.50062	HEAD	CULATA	
48	581.50074	BREATHER ASSEMBLY	RESPIRADOR	
49	581.50092	BREATHER CASING	CAJA RESPIRADOR	
50	581.50142	TIEROD	TIRANTE	
51	592.51040	COVER	TAPA	
52	581.50064	OIL PLUG	TAPON ACEITE	52 - PUSH ON PLUG
52	581.51041	OIL PLUG	TAPON ACEITE	52 - SCREW ON PLUG



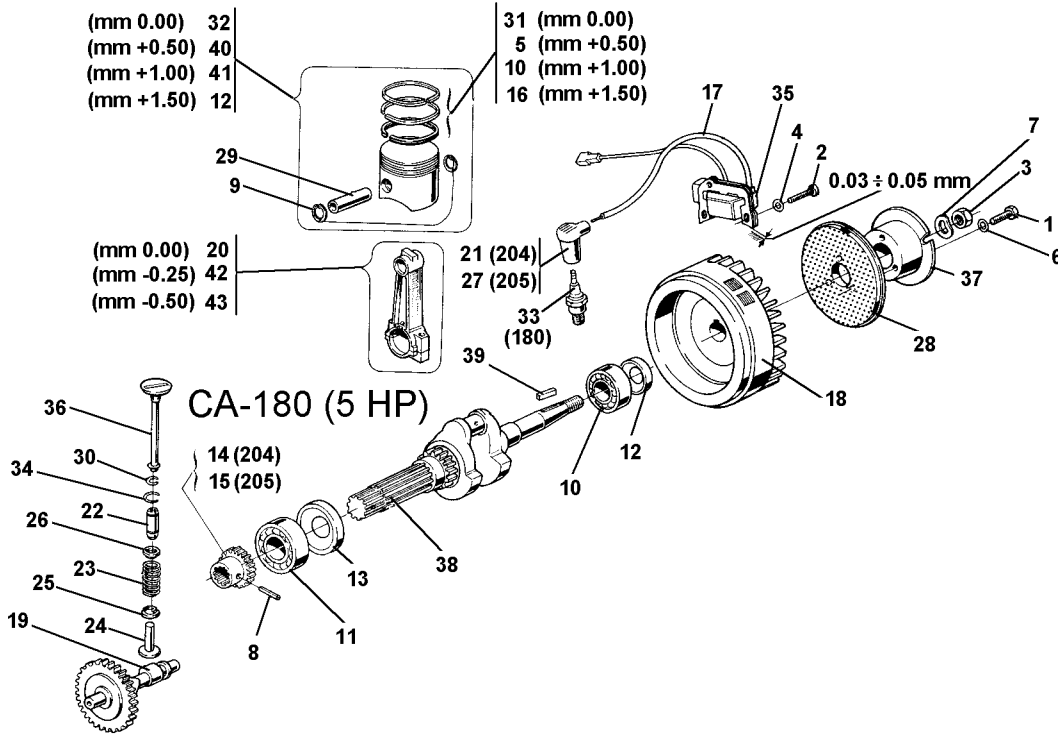
ID	PARTNO	DESCRIPTION	DENOMINACION	NOTES
1	311.12050	SCREW M5 X 16	TORNILLO M5 X 16	SERIAL NUMBER RANGE 201 5001 - 5198 204 2500 - 20392 205 50000 - 62104
2	311.12060	SCREW M5 X 20	TORNILLO M5 X 20	
3	311.52041	SCREW M4 X 16	TORNILLO M4 X 16	
4	311.52060	SCREW TCCEI M6 X 30 UNI 5931	TORNILLO TC CE M6 X 30 UNI 5931	
5	312.31161	NUT, LOW M16 X 1.5	TUERCA BAJA M16 X 1.5	
6	314.11043	FLAT WASHER 4.3	ARANDELA PLANA 4.3	
7	314.11064	WASHER, FLAT 6.4	ARANDELA PLANA 6.4	
8	314.23053	WASHER, LOCK 5.3	ARANDELA DE RES. 5.3	
9	314.23170	WASHER, LOCK 17	ARANDELA DE RES. 17	
10	314.24064	WASHER, LOCK 6.4	ARANDELA DE RES. 6.4	
11	314.31043	LOCK WASHER 4.3	ARANDELA DENTADA 4.3	
12	314.31053	LOCK WASHER 5.3	ARANDELA DENTADA 5.3	
13	351.11014	CIRCLIP DIA.14	SEEGER DIA. 14	
14	371.11255	BEARING 25 X 52 X 15 6205	CONJINETE 25 X 52 X 15 6205	
15	371.11300	BEARING 30 X 62 X 16 6206	MANDO 30 X 62 X 16	
16	382.12500	OIL SEAL 25 X 40 X 7	CHAPA RET. ACEITE 25 X 40 X 7	
17	382.13601	OIL SEAL 36 X 62 X 7	CHAPA RET. ACEITE 36 X 62 X 7	
18	581.50002	CAMSHAFT	EJE DE LEVAS	
19	581.50005	GASKET RING	ANILLO GUARNICION	
20	581.50006	PROTECTION RING	ANILLO PROTECCION	
21	581.50011	ENGINE CONNECTING ROD	BIELE MOTOR	
22	581.50021	PROTECTION CAP	CAPERUZA	
23	581.50022	SPARK PLUG COUPLING	FIJACION BUJIA	
24	581.50023	SPARK PLUG WIRE	CABLE BUJIA	
25	581.50031	VALVE GUIDE	GUIA VALVULA	
26	581.50038	VALVE SPRING	MUELLE VALVULA	
27	581.50046	TAPPET	LEVA	
28	581.50047	LOWER VALVE CAP	PLATILLO INFERIOR	
29	581.50048	UPPER VALVE CAP	PLATILLO SUPERIOR	
30	581.50052	SPARK PLUG COUPLING	FIJACION BUJIA	
31	581.50053	FLYWHEEL NET	RED	
32	581.50056	SPARK PLUG WIRE	CABLE BUJIA	
33	581.50057	PISTON PIN	PASADOR	
34	581.50059	STOP RING	ANILLO CONTRASTE	34 - STOP RING WAS USED ON 1987 AND LATER PRODUCTION
35	581.50066	FAN FLYWHEEL	VOLANTE	



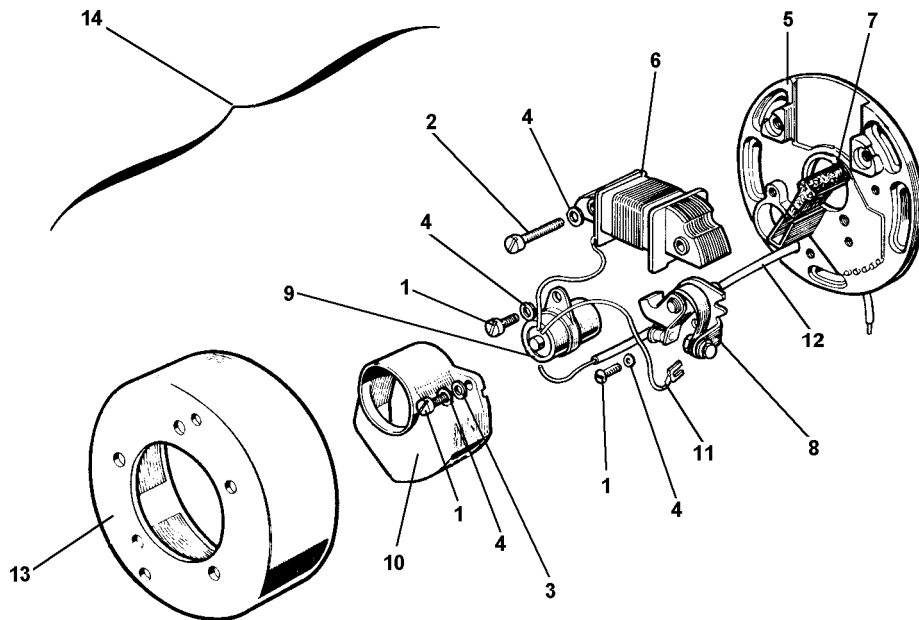
ID	PARTNO	DESCRIPTION	DENOMINACION	NOTES
1	311.12050	SCREW M5 X 16	TORNILLO M5 X 16	SERIAL NUMBER RANGE 201 5001 - 5198 204 2500 - 20392 205 50000 - 62104
2	311.12060	SCREW M5 X 20	TORNILLO M5 X 20	
3	311.52041	SCREW M4 X 16	TORNILLO M4 X 16	
4	311.52060	SCREW TCCEI M6 X 30 UNI 5931	TORNILLO TC CE M6 X 30 UNI 5931	
5	312.31161	NUT, LOW M16 X 1.5	TUERCA BAJA M16 X 1.5	
6	314.11043	FLAT WASHER 4.3	ARANDELA PLANA 4.3	
7	314.11064	WASHER, FLAT 6.4	ARANDELA PLANA 6.4	
8	314.23053	WASHER, LOCK 5.3	ARANDELA DE RES. 5.3	
9	314.23170	WASHER, LOCK 17	ARANDELA DE RES. 17	
10	314.24064	WASHER, LOCK 6.4	ARANDELA DE RES. 6.4	
11	314.31043	LOCK WASHER 4.3	ARANDELA DENTADA 4.3	
12	314.31053	LOCK WASHER 5.3	ARANDELA DENTADA 5.3	
13	351.11014	CIRCLIP DIA.14	SEEGER DIA. 14	
14	371.11255	BEARING 25 X 52 X 15 6205	CONJINETE 25 X 52 X 15 6205	
15	371.11300	BEARING 30 X 62 X 16 6206	MANDO 30 X 62 X 16	
16	382.12500	OIL SEAL 25 X 40 X 7	CHAPA RET. ACEITE 25 X 40 X 7	
17	382.13601	OIL SEAL 36 X 62 X 7	CHAPA RET. ACEITE 36 X 62 X 7	
18	581.50002	CAMSHAFT	EJE DE LEVAS	
19	581.50005	GASKET RING	ANILLO GUARNICION	
20	581.50006	PROTECTION RING	ANILLO PROTECCION	
21	581.50011	ENGINE CONNECTING ROD	BIELE MOTOR	
22	581.50021	PROTECTION CAP	CAPERUZA	
23	581.50022	SPARK PLUG COUPLING	FIJACION BUJIA	
24	581.50023	SPARK PLUG WIRE	CABLE BUJIA	
25	581.50031	VALVE GUIDE	GUIA VALVULA	
26	581.50038	VALVE SPRING	MUELLE VALVULA	
27	581.50046	TAPPET	LEVA	
28	581.50047	LOWER VALVE CAP	PLATILLO INFERIOR	
29	581.50048	UPPER VALVE CAP	PLATILLO SUPERIOR	
30	581.50052	SPARK PLUG COUPLING	FIJACION BUJIA	
31	581.50053	FLYWHEEL NET	RED	
32	581.50056	SPARK PLUG WIRE	CABLE BUJIA	
33	581.50057	PISTON PIN	PASADOR	
34	581.50059	STOP RING	ANILLO CONTRASTE	34 - STOP RING WAS USED ON 1987 AND LATER PRODUCTION
35	581.50066	FAN FLYWHEEL	VOLANTE	



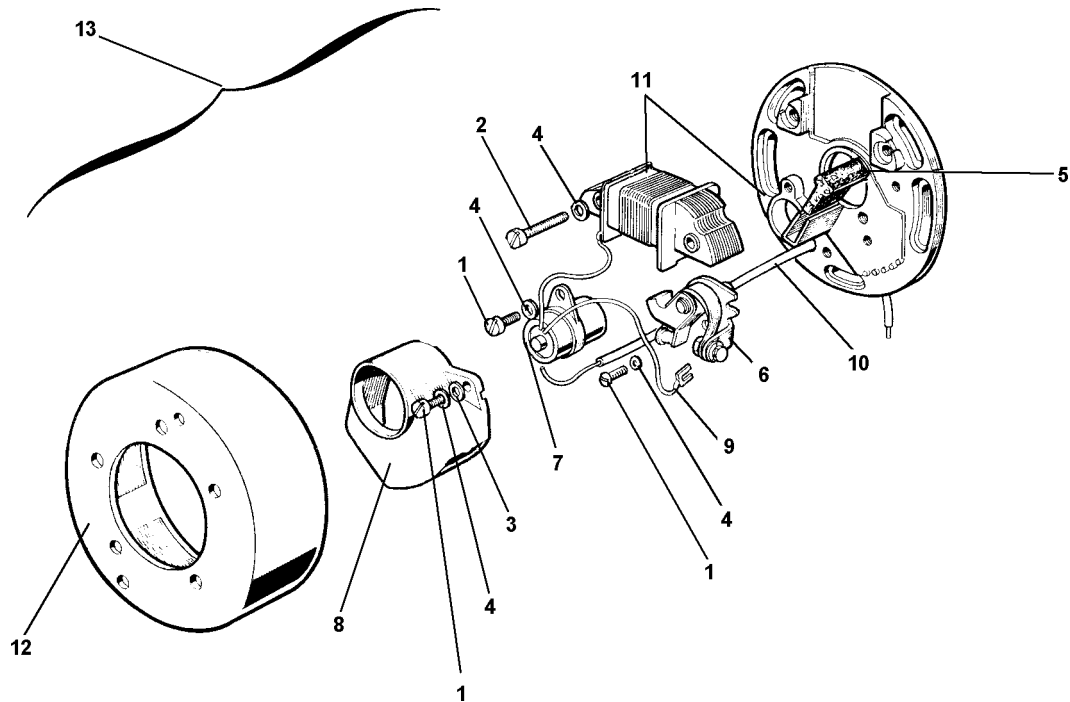
ID	PARTNO	DESCRIPTION	DENOMINACION	NOTES
1	311.12060	SCREW M5 X 20	TORNILLO M5 X 20	SERIAL NUMBER RANGE 201 5199 - ---- 203 - 10000 - ---- 204 20393 - ---- 205 62105 - ----
2	311.52051	SCREW M5 X 25	TORNILLO M5 X 25	
3	312.31161	NUT, LOW M16 X 1.5	TUERCA BAJA M16 X 1.5	
4	314.11053	WASHER, FLAT 5.3	ARANDELA PLANA 5.3	
5	581.90356	RING SET + 0.50MM	JUEGO SEGMENTOS + 0.50MM	
6	314.23053	WASHER, LOCK 5.3	ARANDELA DE RES. 5.3	
7	314.23170	WASHER, LOCK 17	ARANDELA DE RES. 17	
8	342.13055	PIN LOCKING 5 X 30 SPIRAL	ESPIÑA DE RES. 5 X 30 ESPIRAL	
9	351.11014	CIRCLIP DIA.14	SEEGER DIA. 14	
10	581.90357	RING SET + 1.00MM	JUEGO SEGMENTOS + 1.00MM	
11	371.11300	BEARING 30 X 62 X 16 6206	MANDO 30 X 62 X 16 6206	
12	581.90367	PISTON	PISTON	
13	382.13601	OIL SEAL 36 X 62 X 7	CHAPA RET. ACEITE 36 X 62 X 7	
14	524.50254	GEAR FOR HIGH SPEEDS	ENGRANAJE MARCHAS	
15	524.50280	HIGH SPEED GEAR	ENGRANAJE MARCHA VELOZ	
16	581.90368	PISTON RING SET	JUEGO SEGMENTOS	
17	581.90369	SPARK PLUG WIRE	FILO BUJIA	
18	581.90370	FAN FLYWHEEL	VOLANO VENTILADOR	
19	581.50002	CAMSHAFT	EJE DE LEVAS	
20	581.50011	ENGINE CONNECTING ROD	BIELE MOTOR	
21	581.50022	SPARK PLUG COUPLING	FIJACION BUJIA	
22	581.50031	VALVE GUIDE	GUIA VALVULA	
23	581.50038	VALVE SPRING	MUELLE VALVULA	
24	581.50046	TAPPET	LEVA	
25	581.50047	LOWER VALVE CAP	PLATILLO INFERIOR	
26	581.50048	UPPER VALVE CAP	PLATILLO SUPERIOR	
27	581.50052	SPARK PLUG COUPLING	FIJACION BUJIA	
28	581.50053	FLYWHEEL NET	RED	
29	581.50057	PISTON PIN	PASADOR	
30	581.50059	STOP RING	ANILLO CONTRASTE	
31	581.50072	RING SET	SERIE ANILLOS	
32	581.50073	PISTON	PISTON	
33	581.50078	SPARK PLUG	BUJIA	
34	581.50079	RETAINING RING	ANILLO ELASTICO	
35	581.90371	IGNITION COIL	BOBINA	



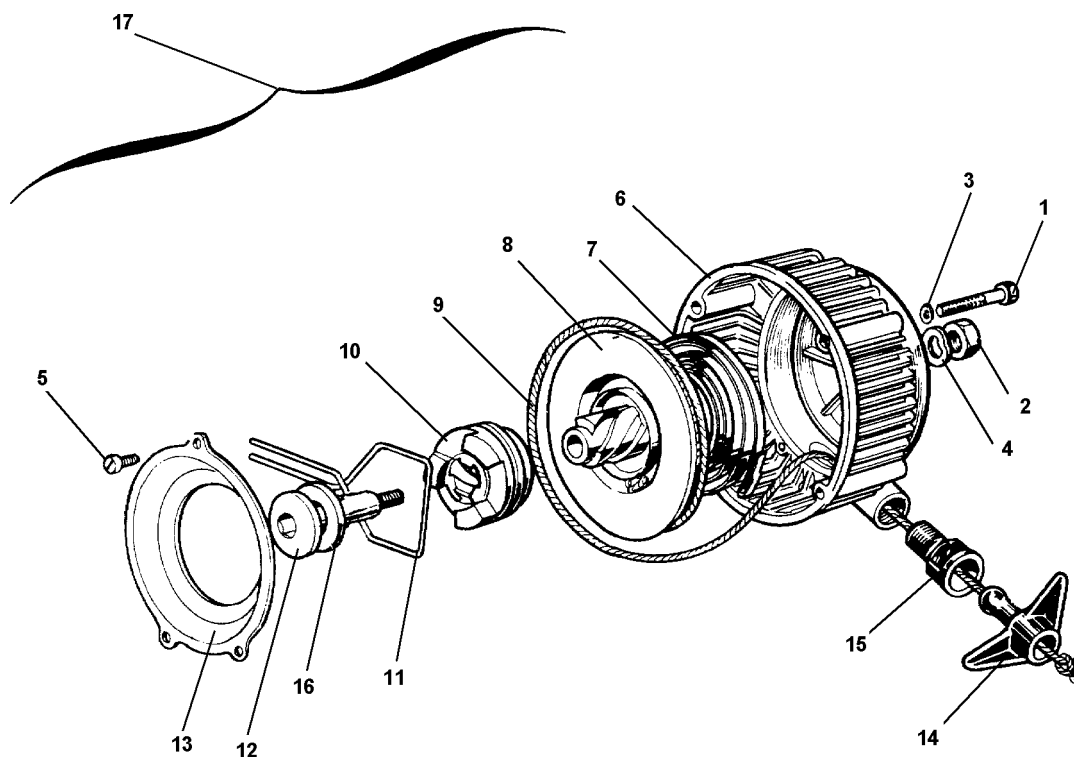
ID	PARTNO	DESCRIPTION	DENOMINACION	NOTES
36	592.50068	VALVE	VALVULA	SERIAL NUMBER RANGE 201 5199 - ----- 203 - 10000 - ----- 204 20393 - ----- 205 62105 - -----
37	581.51029	PULLEY FOR RECOIL STARTER	BOLEA PARA ARR. AUTOENV.	
38	581.51042	CRANKSHAFT	ARBOL MOTOR	
39	581.51043	TAB	LINGUETA	
40	581.90351	PISTON + 0.50MM	PISTON + 0.50MM	
41	581.90352	PISTON + 1.00MM	PISTON + 1.00MM	
42	581.90353	CONNECTING ROD - 0.25MM	BIELA - 0.25MM	
43	581.90354	CONNECTING ROD - 0.50MM	BIELA - 0.50MM	



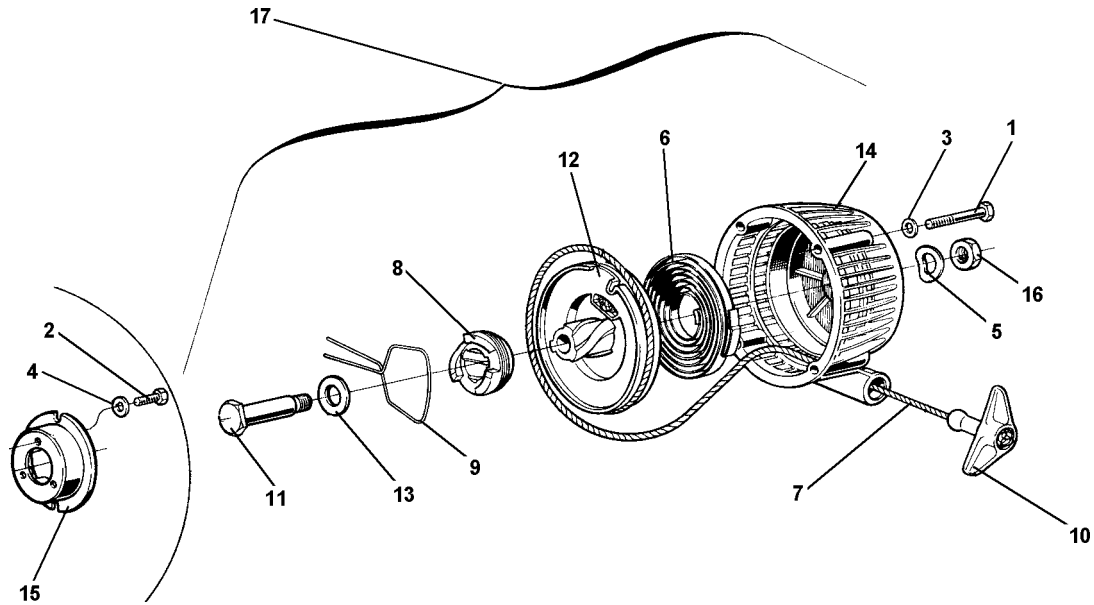
ID	PARTNO	DESCRIPTION	DENOMINACION	NOTES
1	311.61040	SCREW M4 X 12	TORNILLO M4 X 12	SERIAL NUMBER RANGE 204 2500 - 18999 205 50000 - 54999
2	311.61048	SCREW M4 X 25	TORNILLO M4 X 25	
3	314.11043	FLAT WASHER 4.3	ARANDELA PLANA 4.3	
4	314.31043	LOCK WASHER 4.3	ARANDELA DENTADA 4.3	
5	581.50082	STATOR PLATE	PLETINA ESTATOR	
6	581.50083	INSIDE COIL	BOBINA	
7	581.50084	GREASER GASKET	GUARNICION	
8	581.50085	CONTACT BREAKER	INTERRUPTOR	
9	581.50086	CONDENSER	CONDENSADOR	
10	581.50087	CONT. BREAKER PROT. COVER	TAPA	
11	581.50088	CABLE	CABLE	
12	581.50089	OUTLET CABLE	CABLE	
13	581.50154	MAGNET FLYWHEEL ROTOR	ROTOR	
14	592.50096	MAGNET WITH FLYWHEEL	MAGNETO	



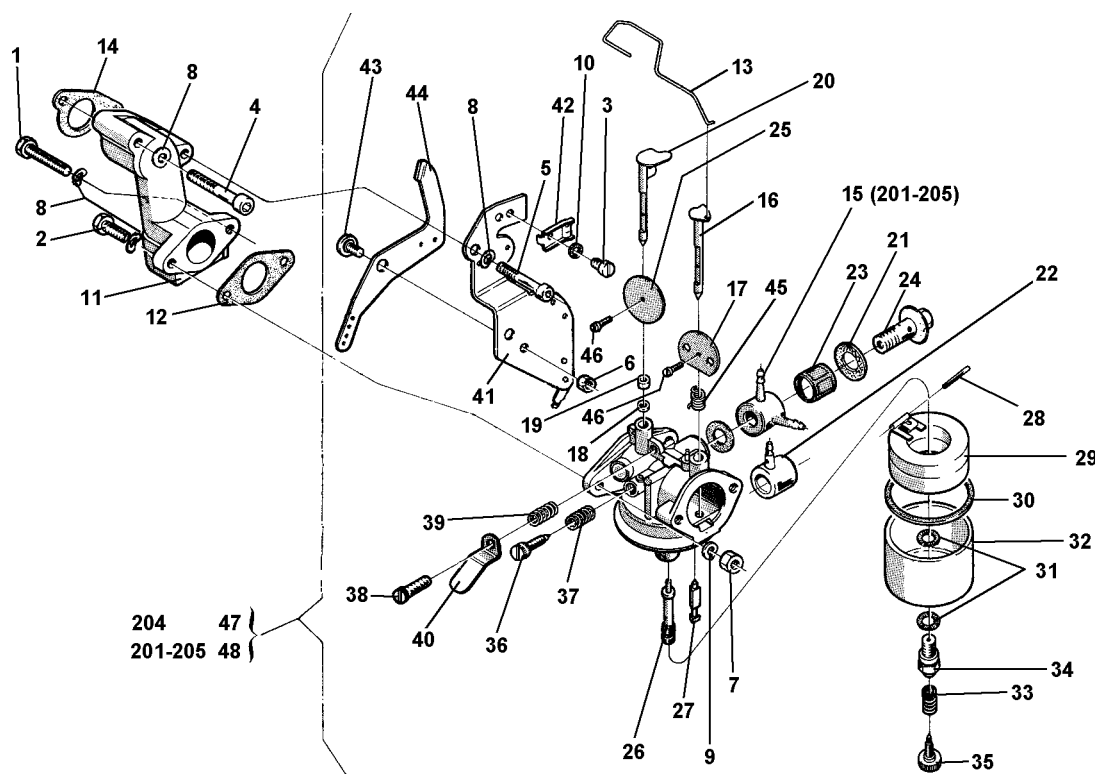
ID	PARTNO	DESCRIPTION	DENOMINACION	NOTES
1	311.61040	SCREW M4 X 12	TORNILLO M4 X 12	SERIAL NUMBER RANGE 201 5001 - ----- 203 10000 - ----- 204 19000 - ----- 205 55000 - -----
2	311.61048	SCREW M4 X 25	TORNILLO M4 X 25	
3	314.11043	FLAT WASHER 4.3	ARANDELA PLANA 4.3	
4	314.31043	LOCK WSHER 4.3	ARANDELA DENTADA 4.3	
5	581.50084	GREASER GASKET	GUARNICION	
6	581.50085	CONTACT BREAKER	INTERRUPTOR	
7	581.50086	CONDENSER	CONDENSADOR	
8	581.50087	CONT. BREAKER PROT. COVER	TAPA	
9	581.50088	CABLE	CABLE	
10	581.50089	OUTLET CABLE	CABLE	
11	581.50091	ASSEMBLY COIL STATOR 5/5017	GRUPO BOBINA/ESTATOR 5/5017	
12	581.50154	MAGNET FLYWHEEL ROTOR	ROTOR	
13	592.50096	MAGNET WITH FLYWHEEL	MAGNETO	



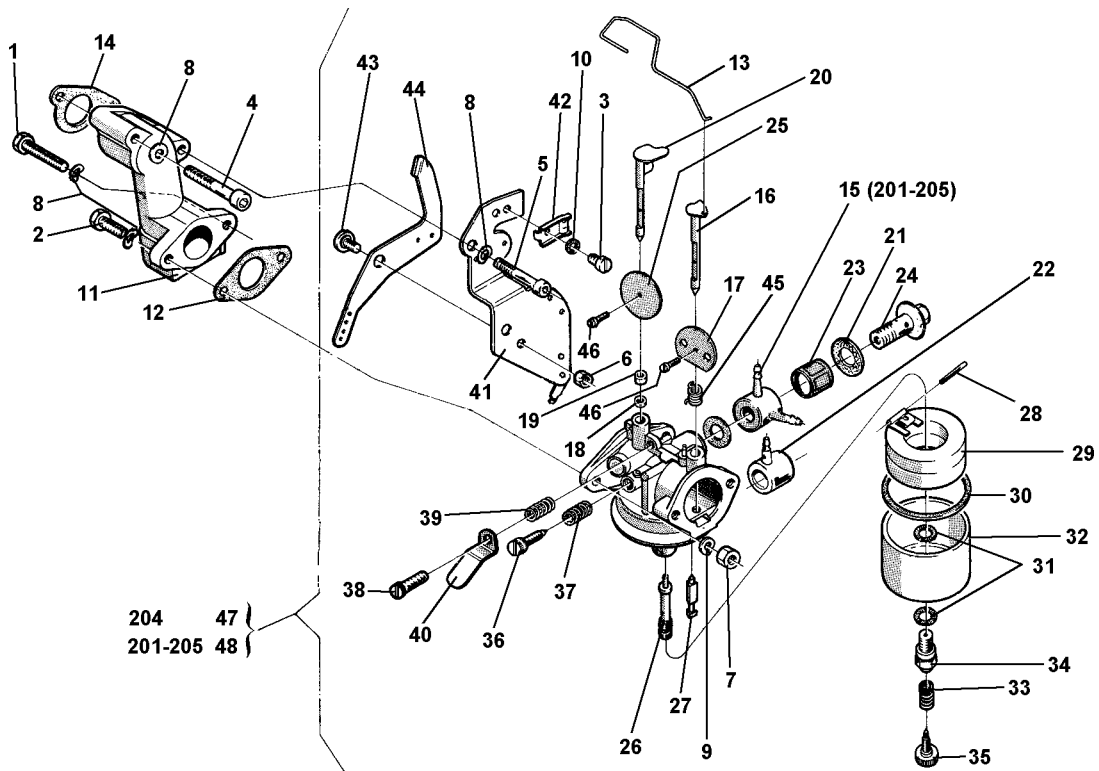
ID	PARTNO	DESCRIPTION	DENOMINACION	NOTES
1	311.11098	SCREW M6 X 50	TORNILLO M6 X 50	SERIAL NUMBER RANGE 204 2500 - 18099 205 50000 - 54621
2	312.31120	NUT, M12	TUERCA, M12	
3	314.22064	WASHER, LOCK 6.4	ARANDELA DE RES. 6.4	
4	314.23130	WASHER, LOCK 13	ARANDELA DE RES. 13	
5	315.10095	SCREW	TORNILLO	
6	581.50100	CASING FOR RECOIL STARTER	CAJA PARA ARRANQUE AUTOENV.	
7	581.50101	SPRING	MUELLE	
8	581.50103	PULLEY	POLEA PARA ARRANQUE AUTOENV.	
9	581.50104	ROPE	CUERDA	
10	581.50105	COUPLING	ACOPLAMIENTO	
11	581.50106	SPRING	MUELLE	
12	581.50107	PIN	PERNO	
13	581.50108	RETAINER	RET. POLEA	
14	581.50110	HANDLE	MANILLA	
15	581.50111	BUSHING	CASQUILLO	
16	581.50112	WASHER	ARANDELA	
17	592.50097	RECOIL STARTER COMPLETE	ARRANQUE AUTOENV.	



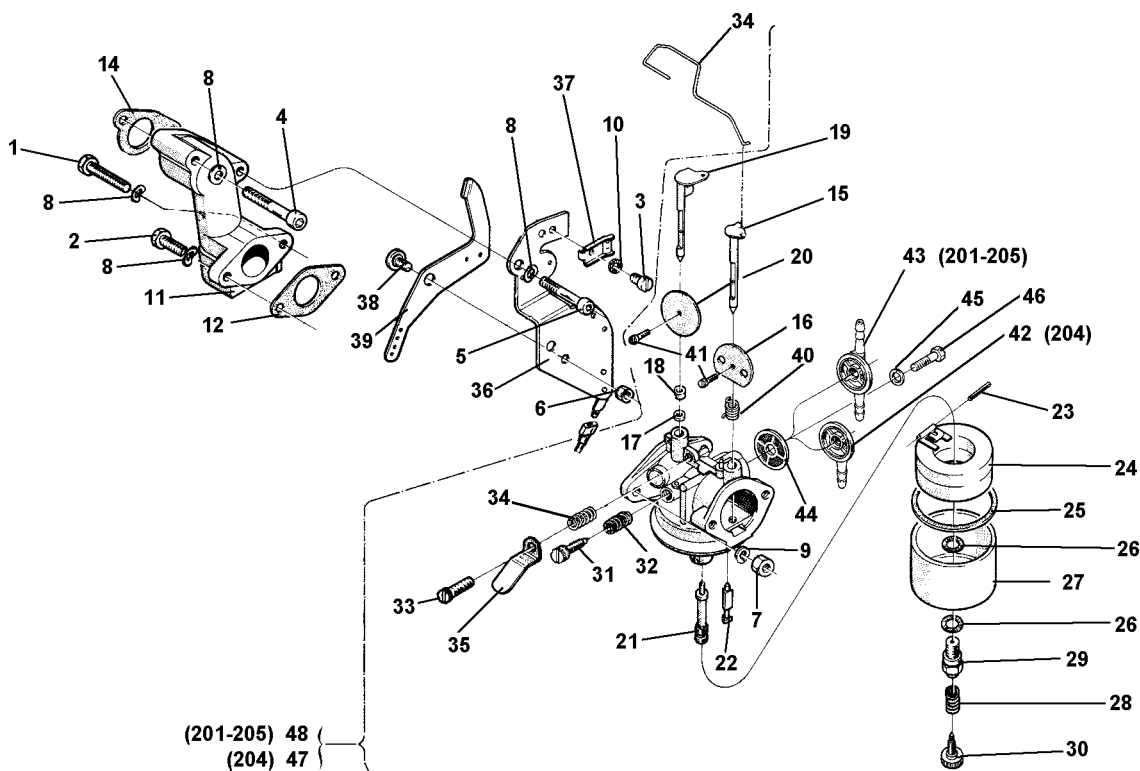
ID	PARTNO	DESCRIPTION	DENOMINACION	NOTES
1	311.11097	SCREW TE M6 X 45	TORNILLO TE M6 X 45	SERIAL NUMBER RANGE 201 5001 - ----- 203 10000 - ----- 204 18100 - ----- 205 54622 - -----
2	311.12060	SCREW M5 X 20	TORNILLO M5 X 20	
3	314.22064	WASHER, LOCK 6.4	ARANDELA DE RES. 6.4	
4	314.23053	WASHER, LOCK 5.3	ARANDELA DE RES. 5.3	
5	314.23130	WASHER, LOCK 13	ARANDELA DE RES. 13	
6	581.50101	SPRING	MUELLE	
7	581.50104	ROPE	CUERDA	
8	581.50105	COUPLING	ACOPLAMIENTO	
9	581.50106	SPRING	MUELLE	
10	581.50110	HANDLE	MANILLA	
11	581.51025	PIN FOR RECOIL STARTER	PERNO PARA ARR. AUTOENV.	
12	581.51026	PULLEY FOR RECOIL STARTER	POLEA PARA ARRANQUE AUTOENV.	
13	581.51027	METAL WASHER	ARANDELA METALICA	
14	581.51028	CASING FOR RECOIL STARTER	CAJA PARA ARR. AUTOENV.	
15	581.51029	PULLEY FOR RECOIL STARTER	BOLEA PARA ARR. AUTOENV.	
16	581.51030	NUT	TUERCA	
17	592.51031	RECOIL STARTER CTM 5/4575.0	ARRANQUE AUTOENV. CTM 5/4575.0	



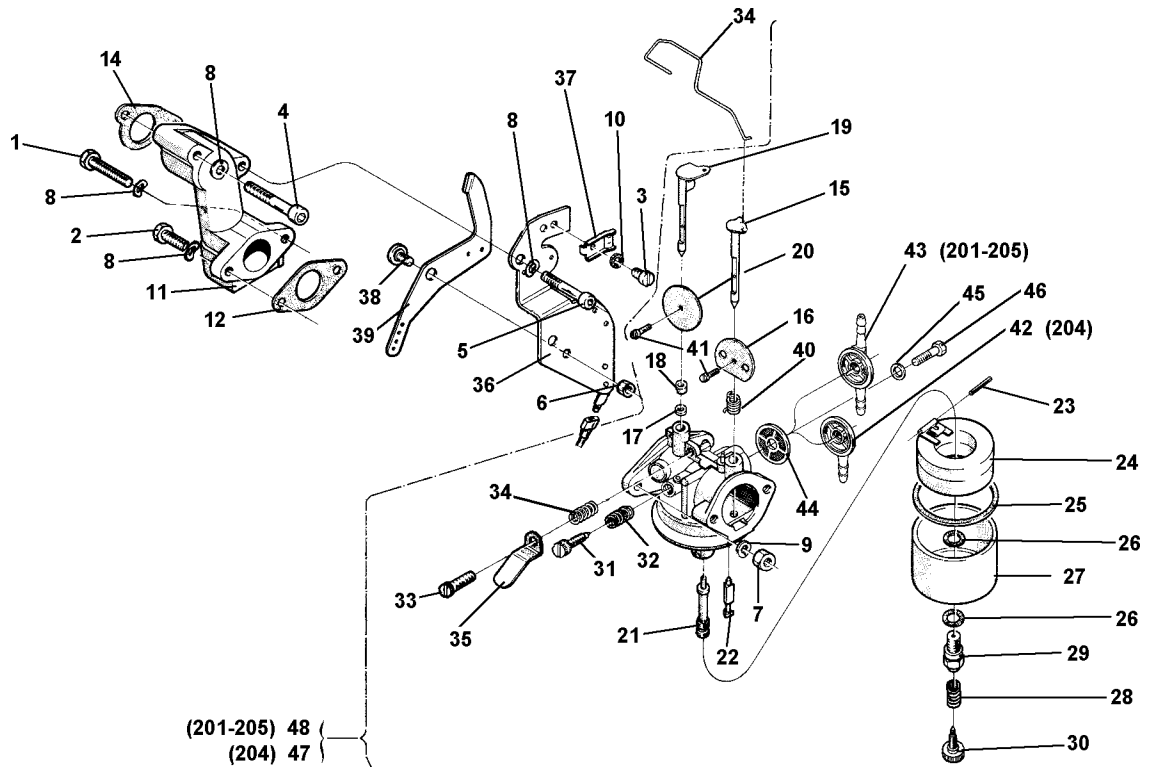
ID	PARTNO	DESCRIPTION	DENOMINACION	NOTES
1	311.12089	SCREW M6 X 25	TORNILLO M6 X 25	SERIAL NUMBER RANGE 201 5001 - 5826 204 2500 - 18099 205 50000 - 53099
2	311.12093	SCREW M6 X 20	TORNILLO M6 X 20	
3	311.21025	SCREW M5 X 8	TORNILLO M5 X 8	
4	311.52059	SCREW M6 X 35	TORNILLO M6 X 35	
5	311.52066	SCREW M6 X 45	TORNILLO M6 X 45	
6	312.11050	NUT M5	TUERCA M5	
7	312.11060	NUT M6	TUERCA M6	
8	314.22064	WASHER, LOCK 6.4	ARANDELA DE RES. 6.4	
9	314.24064	WASHER, LOCK 6.4	ARANDELA DE RES. 6.4	
10	314.31053	LOCK WASHER 5.3	ARANDELA DENTADA 5.3	
11	581.50019	CARBURETOR CURVE	CURBA	
12	581.50028	CARBURETOR GASKET	GUARNICION	
13	581.50040	STARTER TIEROD	TIRANTE ARRANQUE	
14	581.50049	GASKET	GUARNICION	
15	581.50114	PLATE	PLAQUITA	
16	581.50117	STARTER SHAFT	EJE ARRANQUE	
17	581.50118	STARTER THROTTLE	MARIPOSA STARTER	
18	581.50119	GASKET	GUARNICION	
19	581.50120	GASKET CAP	TAPA GUARNICION	
20	581.50121	GAS SHAFT	ARBOL GAS	
21	581.50122	GASKET	PAREJA GUARNICION	
22	581.50123	PIPE	PIPA	
23	581.50124	GASOLINA FILTER	FILTRO GASOLINA	
24	581.50125	PIPE CAP	TAPON PIPA	
25	581.50126	THROTTLE	MARIPOSA	
26	581.50127	JET	VAPORISADOR	
27	581.50128	PIN	PERNO	
28	581.50129	PIN	PERNO	
29	581.50130	FLOAT	FLOTADOR	
30	581.50131	GASKET	GUARNICION	
31	581.50132	GASKET	GUARNICION	
32	581.50133	TANK CASING	CUERPO	
33	581.50134	SPRING	MUELLE	
34	581.50135	FLOAT CHAMBER	TAPON CUBA	
35	581.50136	DUMP SCREW	TORNILLO	



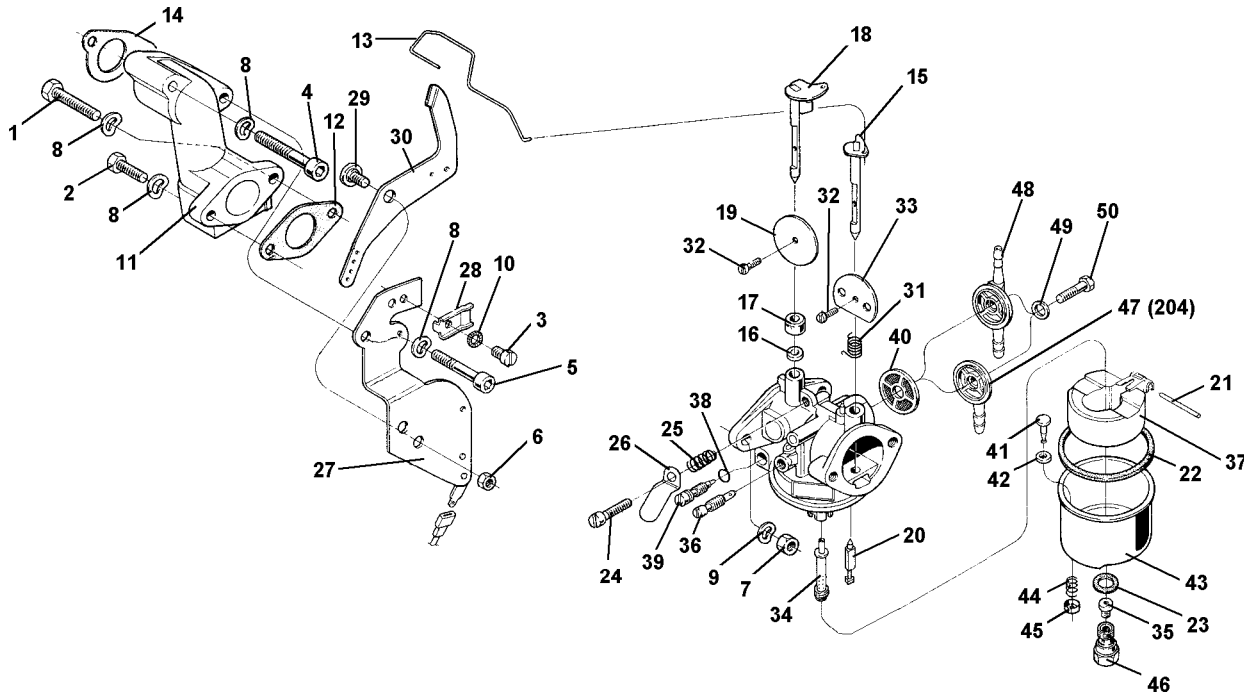
ID	PARTNO	DESCRIPTION	DENOMINACION	NOTES
36	581.50137	MIXTURE ADJUSTING SCREW	TORNILLO REGULACION	SERIAL NUMBER RANGE 201 5001 - 5826 204 2500 - 18099 205 50000 - 53099
37	581.50138	ADJUSTING SCREW SPRING	MUELLE TORNILLO REGULACION	
38	581.50139	ADJUSTING SCREW	TORNILLO REGULACION	
39	581.50140	ADJUSTING SPRING	MUELLE TORNILLO	
40	581.50141	CARBURETOR ADJUSTING PLATE	PLETINA REGULACION CARBURADOR	
41	581.50143	SQUARE	SQUADRA	
42	581.50144	GAS LOCKING BRACKET	SOPORTE BLOCAJE GAS	
43	581.50145	SCREW WITH STEP	TORNILLO	
44	581.50146	THROTTLE LEVER	PALANCA ACELERADOR	
45	581.50148	SPRING	MUELLE	
46	581.50149	SCREW	TORNILLO	
47	592.90322	CARBURETOR	CARBURADOR	
48	592.90325	CARBURETOR	CARBURADOR	



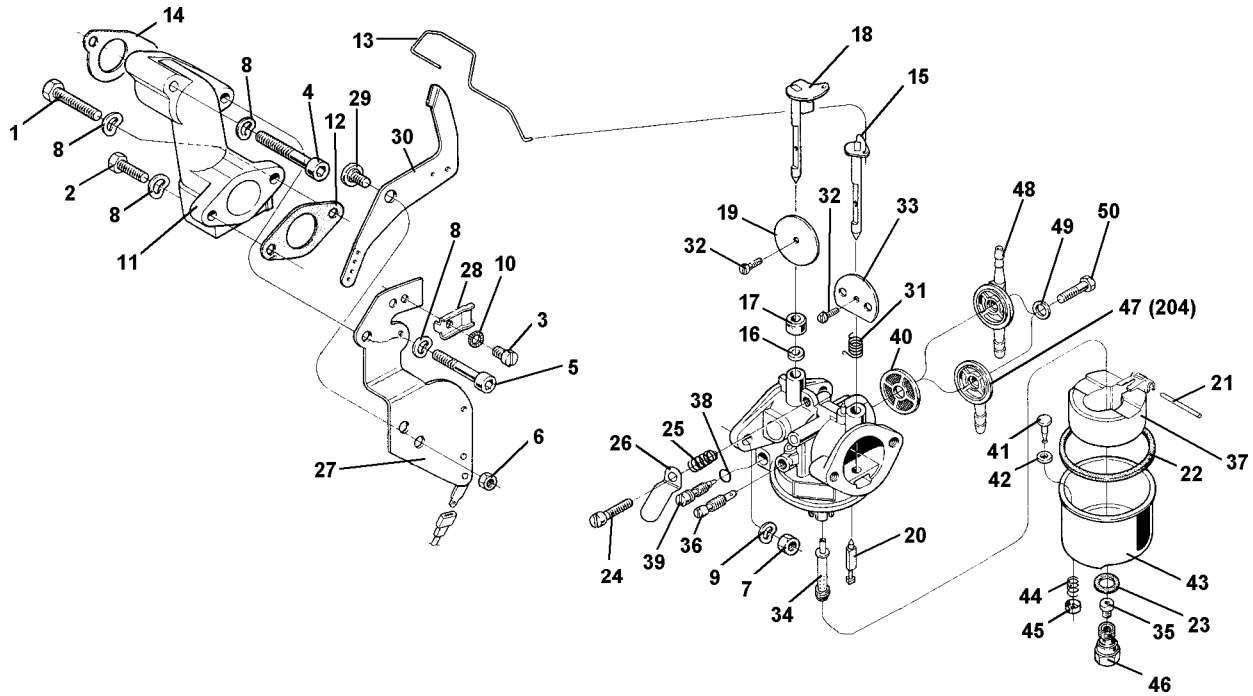
ID	PARTNO	DESCRIPTION	DENOMINACION	NOTES
1	311.12089	SCREW M6 X 25	TORNILLO M6 X 25	SERIAL NUMBER RANGE 201 5001 - 5826 204 18100 - 22586 205 53100 - 65562
2	311.12093	SCREW M6 X 20	TORNILLO M6 X 20	
3	311.21025	SCREW M5 X 8	TORNILLO M5 X 8	
4	311.52059	SCREW M6 X 35	TORNILLO M6 X 35	
5	311.52066	SCREW M6 X 45	TORNILLO M6 X 45	
6	312.11050	NUT M5	TUERCA M5	
7	312.11060	NUT M6	TUERCA M6	
8	314.22064	WSHER, LOCK 6.4	ARANDELA DE RES. 6.4	
9	314.24064	WASHER LOCK 6.4	ARANDELA DE RES. 6.4	
10	314.31053	LOCK WASHER 5.3	ARANDELA DENTADA 5.3	
11	581.50019	CARBURETOR CURVE	CURBA	
12	581.50028	CARBURETOR GASKET	GUARNICION	
13	581.50040	STARTER TIEROD	TIRANTE ARRANQUE	
14	581.50049	GASKET	GUARNICION	
15	581.50117	STARTER SHAFT	EJE ARRANQUE	
16	581.50118	STARTER THROTTLE	MARIPOSA STARTER	
17	581.50119	GASKET	GUARNICION	
18	581.50120	GASKET CAP	TAPA GUARNICION	
19	581.50121	GAS SHAFT	ARBOL GAS	
20	581.50126	THROTTLE	MARIPOSA	
21	581.50127	JET	VAPORISADOR	
22	581.50128	PIN	PERNO	
23	581.50129	PIN	PERNO	
24	581.50130	FLOAT	FLOTADOR	
25	581.50131	GASKET	GUARNICION	
26	581.50132	GASKET	GUARNICION	
27	581.50133	TANK CASING	CUERPO	
28	581.50134	SPRING	MUELLE	
29	581.50135	FLOAT CHAMBER	TAPON CUBA	
30	581.50136	DUMP SCREW	TORNILLO	
31	581.50137	MIXTURE ADJUSTING SCREW	TORNILLO REGULACION	
32	581.50138	ADJUSTING SCREW SPRING	MUELLE TORNILLO REGULACION	
33	581.50139	ADJUSTING SCREW	TORNILLO REGULACION	
34	581.50140	ADJUSTING SPRING	MUELLE TORNILLO	
35	581.50141	CARBURETOR ADJUSTING PLATE	PLETINA REGULACION CARBURADOR	



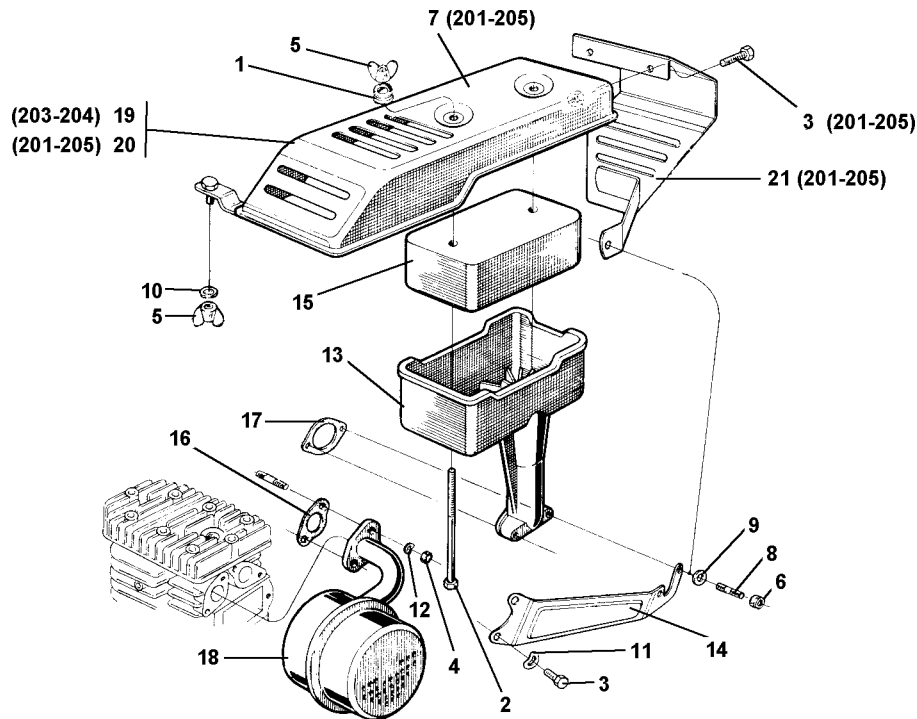
ID	PARTNO	DESCRIPTION	DENOMINACION	NOTES
36	581.50143	SQUARE	SQUADRA	SERIAL NUMBER RANGE 201 5001 - 5198 204 18100 - 22586 205 53100 - 65562
37	581.50144	GAS LOCKING BRACKET	SOPORTE BLOCAJE GAS	
38	581.50145	SCREW WITH STEP	TORNILLO	
39	581.50146	THROTTLE LEVER	PALANCA ACELERADOR	
40	581.50148	SPRING	MUELLE	
41	581.50149	SCREW	TORNILLO	
42	581.90358	PIPE	PIPA	
43	581.90359	PIPE	PIPA	
44	581.90360	FILTER	FILTRO	
45	581.90361	GASKET	GUARNICION	
46	581.90362	SCREW	TORNILLO	
47	592.90322	CARBURETOR	CARBURADOR	
48	592.90325	CARBURETOR	CARBURADOR	



ID	PARTNO	DESCRIPTION	DENOMINACION	NOTES
1	311.12089	SCREW M6 X 25	TORNILLO M6 X 25	SERIAL NUMBER RANGE 201 5827 - ----- 203 10000 - ----- 204 22587 - ----- 205 65563 - -----
2	311.12093	SCREW M6 X 20	TORNILLO M6 X 20	
3	311.21025	SCREW M5 X 8	TORNILLO M5 X 8	
4	311.52059	SCREW M6 X 35	TORNILLO M6 X 35	
5	311.52066	SCREW M6 X 45	TORNILLO M6 X 45	
6	312.11050	NUT M5	TUERCA M5	
7	312.11060	NUT M6	TUERCA M6	
8	314.22064	WASHER, LOCK 6.4	ARANDELA DE RES. 6.4	
9	314.24064	WASHER, LOCK 6.4	ARANDELA DE RES. 6.4	
10	314.31053	LOCK WASHER 5.3	ARANDELA DENTADA 5.3	
11	581.50019	CARBURETOR CURVE	CURBA	
12	581.50028	CARBURETOR GASKET	GUARNICION	
13	581.50040	STARTER TIEROD	TIRANTE ARRANQUE	
14	581.50049	GASKET	GUARNICION	
15	581.50117	STARTER SHAFT	EJE ARRANQUE	
16	581.50119	GASKET	GUARNICION	
17	581.50120	GASKET CAP	TAPA GUARNICION	
18	581.50121	GAS SHAFT	ARBOL GAS	
19	581.50126	THROTTLE	MARIPOSA	
20	581.50128	PIN	PERNO	
21	581.50129	PIN	PERNO	
22	581.50131	GASKET	GUARNICION	
23	581.50132	GASKET	GUARNICION	
24	581.50139	ADJUSTING SCREW	TORNILLO REGULACION	
25	581.50140	ADJUSTING SPRING	MUELLE TORNILLO	
26	581.50141	CARBURETOR ADJUSTING PLATE	PLETINA REGULACION CARBURADOR	
27	581.50143	SQUARE	SQUADRA	
28	581.50144	GAS LOCKING BRACKET	SOPORTE BLOCAJE GAS	
29	581.50145	SCREW WITH STEP	TORNILLO	
30	581.50146	THROTTLE LEVER	PALANCA ACELERADOR	
31	581.50148	SPRING	MUELLE	
32	581.50149	SCREW	TORNILLO	
33	581.90326	STARTER THROTTLE 5/5179	MARIPOSA STARTER 5/5179	
34	581.90327	DIFFUSER 5/5180	VAPORISADOR 5/5180	
35	581.90337	MAX. JET 92 5/5181	VAPORIZADOR MAX. 92 5/5181	



ID	PARTNO	DESCRIPTION	DENOMINACION	NOTES
36	581.90338	MIN. JET 35 5/5183	VAPORIZADOR MIN. 35 5/5183	SERIAL NUMBER RANGE 201 5827 - ----- 203 10000 - ----- 204 22587 - ----- 205 65563 - -----
37	581.90339	FLOAT 5/5183	FLOTADOR 5/5183	
38	581.90340	SCREW GASKET 5/5184	GUARNICION TORNILLO 5/5184	
39	581.90341	MIXTURE ADJUSTING SCREW	TORNILLO REGULACION	
40	581.90342	GASOLINE FILTER 5/5186	FILTRO GASOLINA 5/5186	
41	581.90343	BUTTON ROD 5/5187	EJE PULSADO 5/5187	
42	581.90344	GASKET 5/5188	GUARNICION 5/5188	
43	581.90345	FLOAT CHAMBER 5/5189	CUBA 5/5189	
44	581.90346	SPRING 5/5190	MEULLE 5/5190	
45	581.90347	EXHAUST BUTTON 5/5191	PULSADO DESCARGA	
46	581.90348	FLOAT CHAMBER PLUG 5/5192	TAPON	
47	581.90358	PIPE	PIPA	
48	581.90359	PIPE	PIPA	
49	581.90361	GASKET	GUARNICION	
50	581.90362	SCREW	TORNILLO	
51	592.90322	CARBURETOR	CARBURADOR	
52	592.90325	CARBURETOR	CARBURADOR 5/5104	



ID	PARTNO	DESCRIPTION	DENOMINACION	NOTES
1	300.00608	RUBBER CABLE SHEATH	PASACABLE EN GOMA	SERIAL NUMBER RANGE 201 5001 - ----- 203 10000 - ----- 204 2500 - ----- 205 50000 - ----- 1 - RUBBER WASHER HAS REPLACED METAL WASHER ON EARLIER UNITS 5 - WING NUT HAS REPLACED A NUT ON EARLIER UNITS 8 - STUD HAS REPLACED A BOLT ON EARLIER UNITS
2	311.11100	SCREW M6 X 75	TORNILLO M6 X 75	
3	311.12082	SCREW M6 X 12	TORNILLO M6 X 12	
4	312.00101	NUT M6	TUERCA M6	
5	312.00500	NUT M6 FINS	TUERCA M6 OREJAS	
6	312.41050	NUT, SELF-LOCKING M5 NORMAL	TUERCA AUTOBLOC. M5 NORM.	
7	312.41060	NUT, SELF-LOCKING M6	TUERCA AUTOBLOC. M6	
8	313.12046	STUD	PRISIONERO	
9	314.11053	WASHER, FLAT 5.3	ARANDELA PLANA 5.3	
10	314.11064	WASHER, FLAT 6.4	ARANDELA PLANA 6.4	
11	314.22064	WASHER, LOCK 6.4	ARANDELA DE RES. 6.4	
12	314.24064	WASHER, LOCK 6.4	ARANDELA DE RES. 6.4	
13	552.50164	AIR FILTER CASING	CUERPO FILTRO AIRE	
14	561.50195	LEVER PROTECTION	PROTECCION PALANCA	
15	580.50169	FILTER	FILTRO	
16	581.50027	ASPIR. EXHAUST GASKET	GUARNICION	
17	581.50061	CARBURETOR GASKET	GUARNICION CARBURADOR	
18	590.50158	MUFFLER	SILENCIADOR	
19	590.50166	PROTECTION	PROTECCION	
20	590.50170	PROTECTION	PROTECCION	
21	590.51050	PROTECTION	PROTECCION	