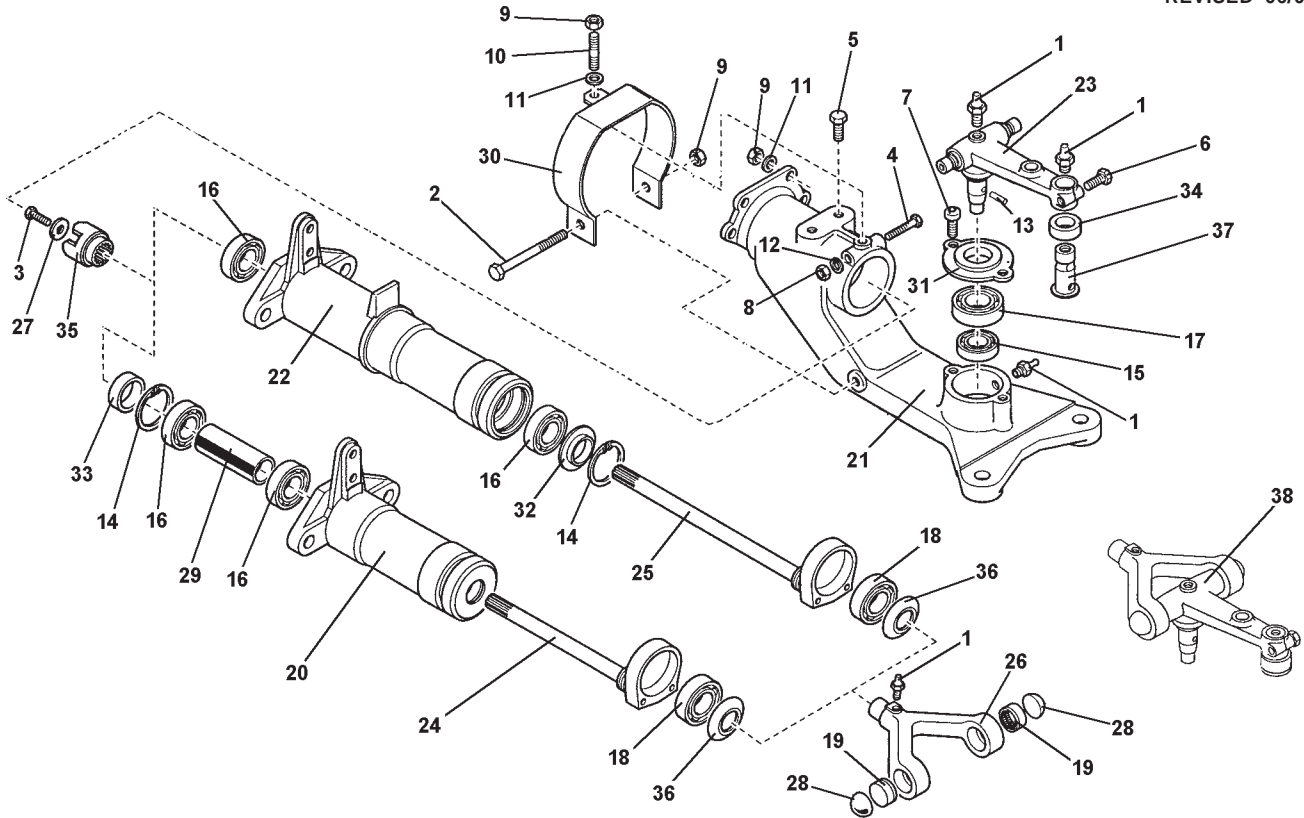




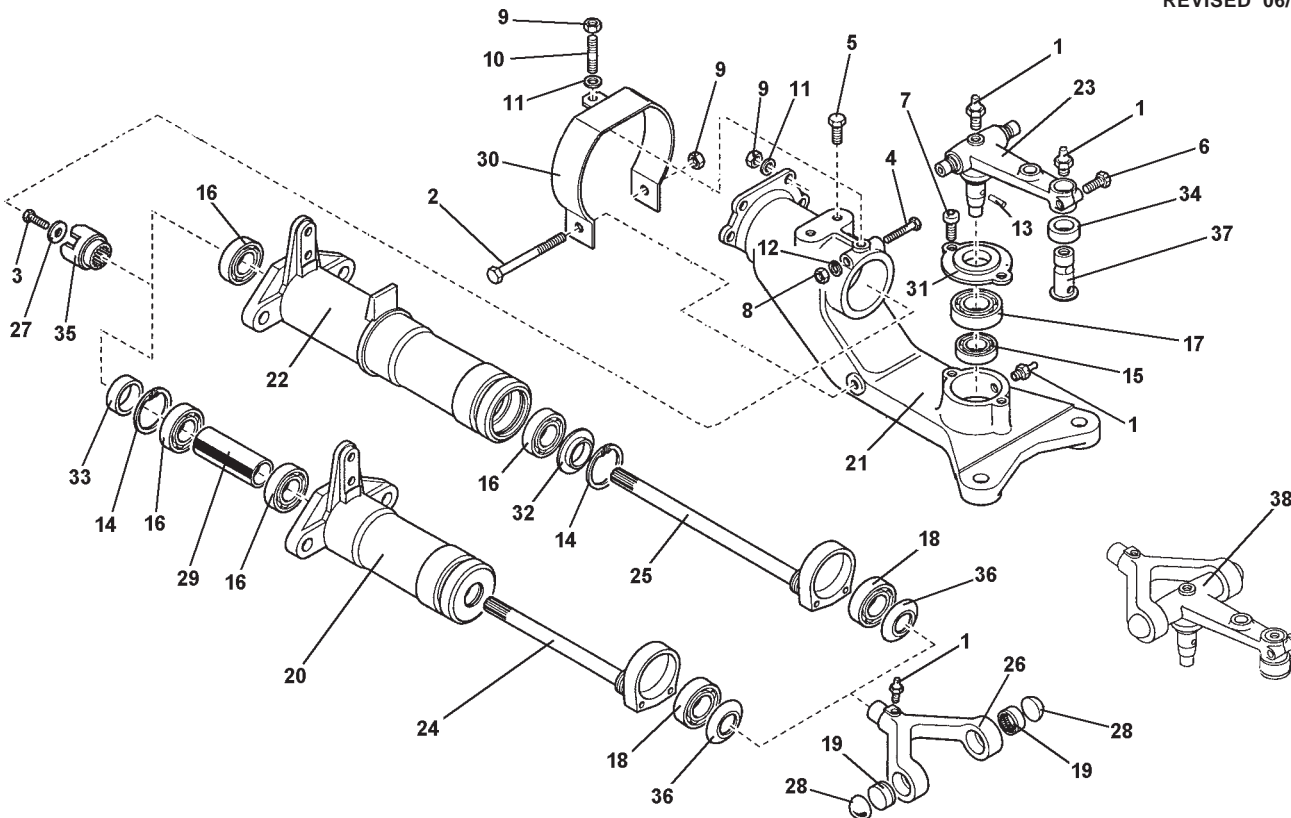
---

A M E R I C A

---



ID	PARTNO	DESCRIPTION	DENOMINACION	NOTES
1	300.00001	GREASE ZERK M10	ENGRASADOR M10	
2	311.11165	SCREW, M8X100	TORNILLO M8X100	
3	311.12093	SCREW, M6X20	TORNILLO M6X20	
4	311.12097	SCREW, M6X70	TORNILLO M6X70	
5	311.12149	SCREW, M8X12	TORNILLO M8X12	
6	311.12904	SCREW, M12X1.25X30	TORNILLO M12X1.25X30	
7	311.21006	SCREW M6X16	TORNILLO M6X16	
8	312.41061	NUT, SELF LOCKING, M6	TUERCA AUTOBLOC. M6	
9	312.41080	NUT, SELF LOCKING, M8	TUERCA AUTOBLOC. M8	
10	313.12076	STUD, M8X26	PRISIONERO M8X26	
11	314.11084	WASHER, FLAT, M8.4	ARANDELA PLANA M8.4	
12	314.24064	WASHER, LOCK, M6.4	ARANDELA DE RES. M6.4	
13	342.11041	PIN, LOCKING, M4X35	ESPINA DE RES. M4X35	
14	351.11047	CIRCLIP, INTERNAL	SEEGER INT.	
15	371.11150	BEARING, M15X35X11	COJINETE M15X35X11	
16	371.12200	BEARING M20X47X14	COJINETE M20X47X14	
17	371.12253	BEARING, M25X52X15	COJINETE M25X52X15	
18	371.13201	BEARING, M20X52X15	COJINETE M20X52X15	
19	373.32001	BUSHING PIT	CASQUILLO PIT	
20	512.43501	BUSHING WITH FLANGE	CASQUILLO CON BRIDA	
21	512.58953	BAR SUPPORT	SOPORTE BARRA	
22	513.58950	SHAFT HOUSING	CASQUILLO	
23	524.48969	BLADE CRANK	MANIVELA CUCHILLA	
24	524.58955	ECCENTRIC SHAFT	ARBOL EXCENTRICO	
25	524.58956	LONG ECCENTRIC SHAFT	ARBOL EXCENTRICO LUNGO	
26	525.48510	FORK	HORQUILLA REFORCADA	
27	561.42291	WASHER	ARANDELA	
28	561.43497	BOTTOM	FONDO	
29	561.43506	SPACER	SERPADOR	
30	561.43507	ECCENTRIC PROTECTION	PROTECCION EXCENTRICA	
31	561.43516	COVER, BEARING	TAPA COJINETE	
32	561.49389	GUARD END	TAPON PROTECCION	
33	561.58954	SPACER	SEPARADOR	
34	564.46718	BLADE BUSHING	CASQUILLO CUCHILLO	
35	564.58941	PTO COUPLER	ACOPLAMIENTO FRESADORA	



ID	PARTNO	DESCRIPTION	DENOMINACION	NOTES
36	571.40533	END, LOWER	TAPON INFERIOR	
37	590.46719	BLADE PIN	PERNO CUCHILLO	
38	590.48968	CRANK WITH FORK	MANIVELA CON HORQUILLA	

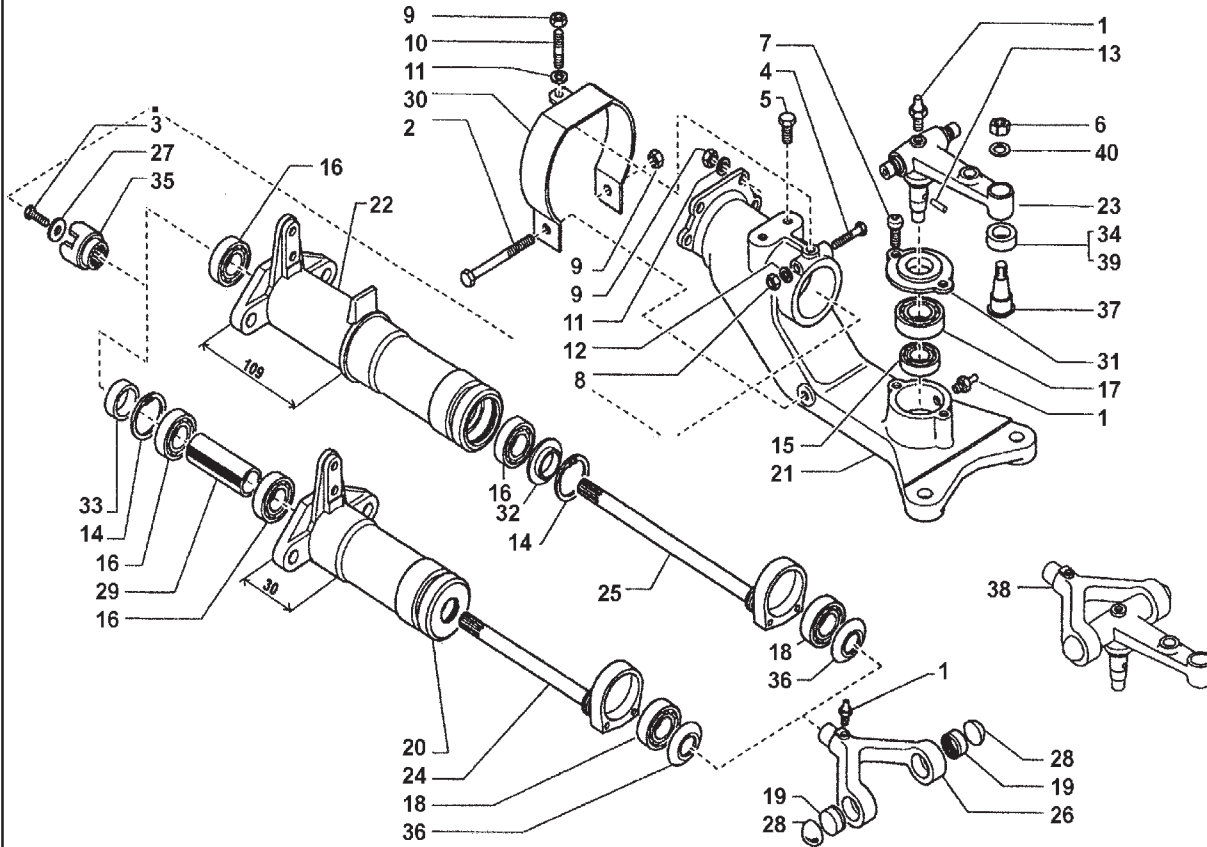
**Attachments**  
**95 + Cutter Bars**

**3 Dog PTO**  
**Cutter Bar Control**

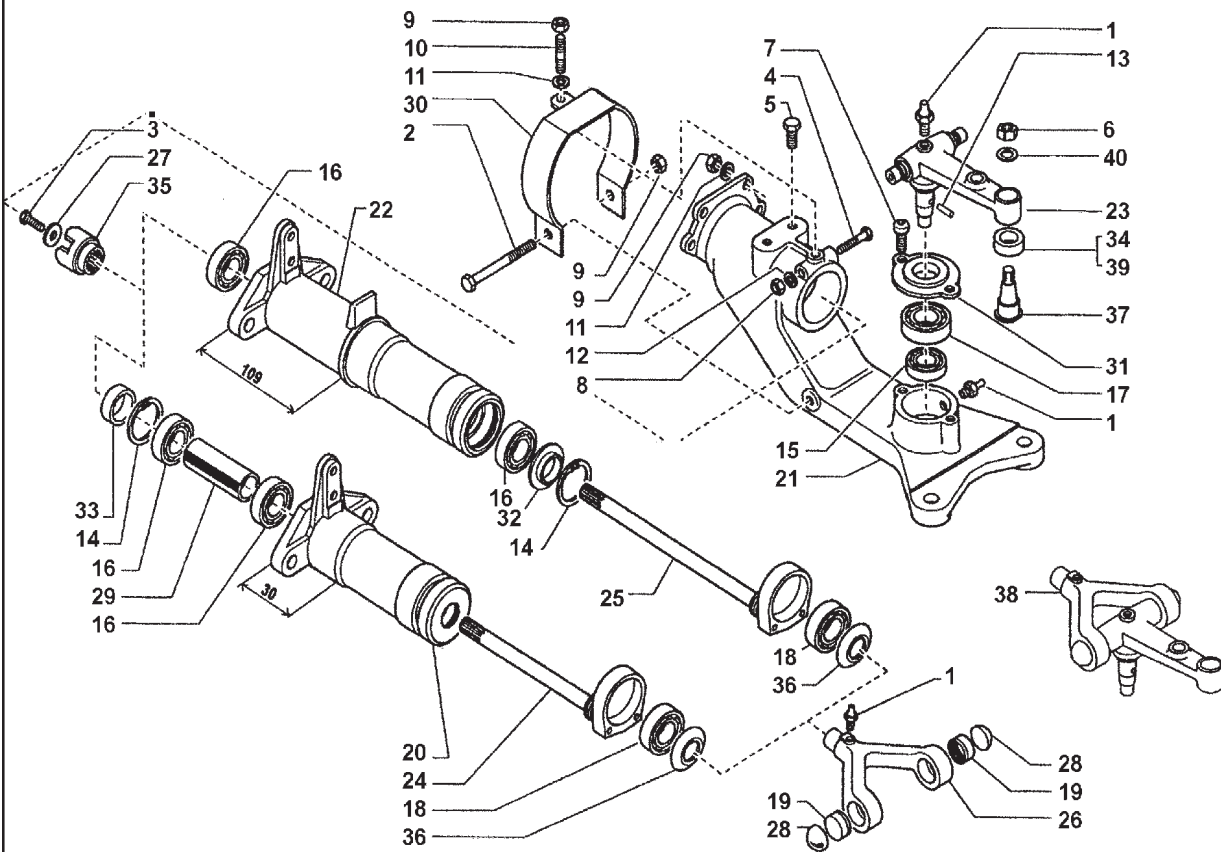
**Serial Number Range**  
-----

**01.01**

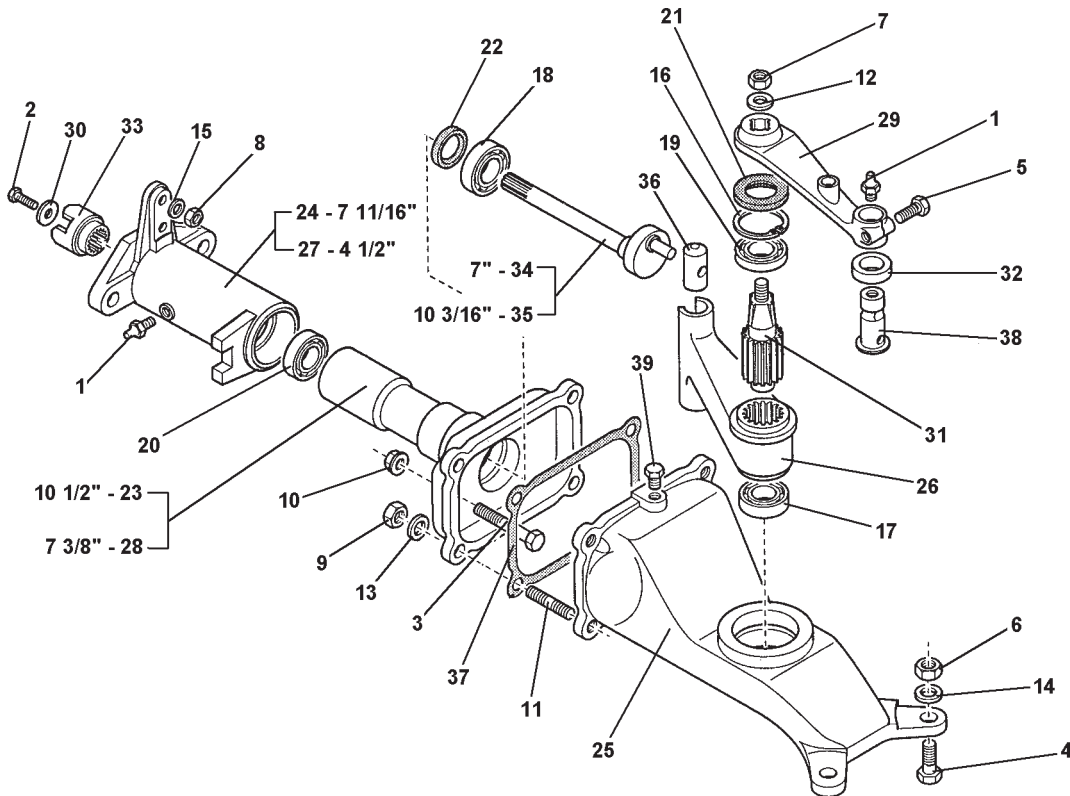
REVISED 06/06/03



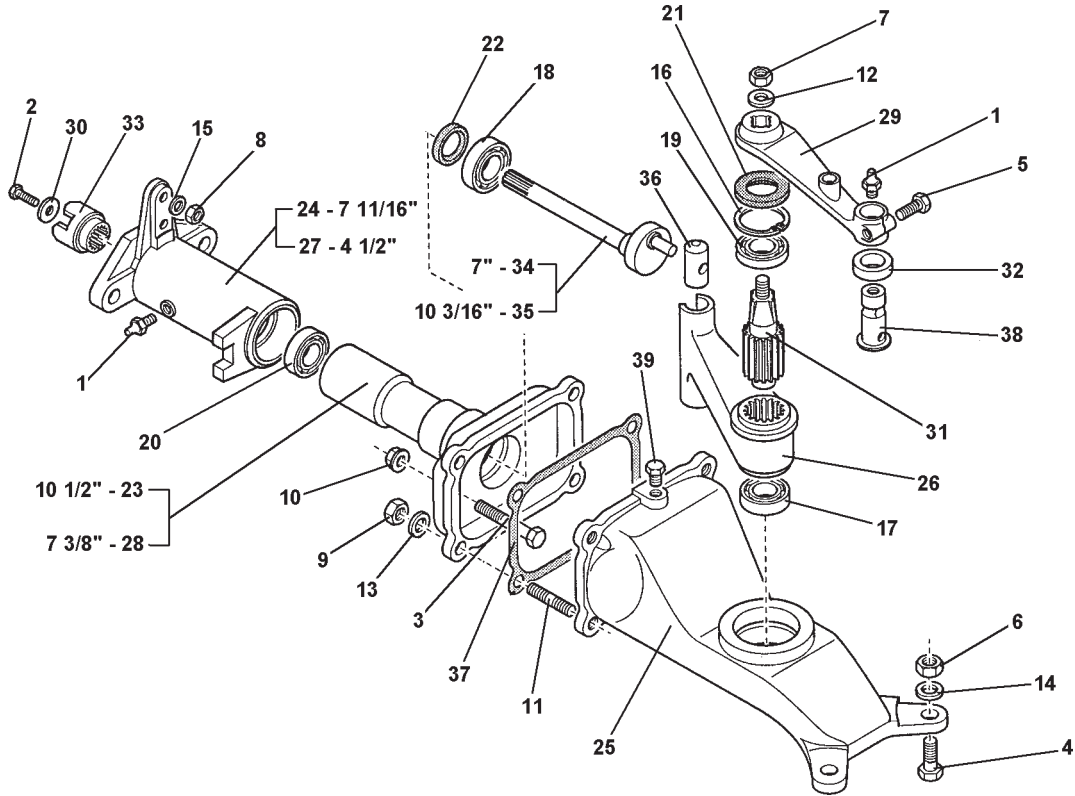
ID	PARTNO	DESCRIPTION	DENOMINACION	NOTES
1	300.00001	GREASE ZERK M10	ENGRASADOR M10	
2	311.11165	SCREW, M8X100	TORNILLO M8X100	
3	311.12093	SCREW, M6X20	TORNILLO M6X20	
4	311.12097	SCREW, M6X70	TORNILLO M6X70	
5	311.12149	SCREW, M8X12	TORNILLO M8X12	
6	312.41105	LOCK NUT DEFORMED		
7	311.21006	SCREW M6X16	TORNILLO M6X16	
8	312.41061	NUT, SELF LOCKING, M6	TUERCA AUTOBLOC. M6	
9	312.41080	NUT, SELF LOCKING, M8	TUERCA AUTOBLOC. M8	
10	313.12076	STUD, M8X26	PRISIONERO M8X26	
11	314.11084	WASHER, FLAT, M8.4	ARANDELA PLANA M8.4	
12	314.24064	WASHER, LOCK, M6.4	ARANDELA DE RES. M6.4	
13	342.11041	PIN, LOCKING, M4X35	ESPINA DE RES. M4X35	
14	351.11047	CIRCLIP, INTERNAL	SEEGER INT.	
15	371.11150	BEARING, M15X35X11	COJINETE M15X35X11	
16	371.12200	BEARING M20X47X14	COJINETE M20X47X14	
17	371.12253	BEARING, M25X52X15	COJINETE M25X52X15	
18	371.13201	BEARING, M20X52X15	COJINETE M20X52X15	
19	373.32001	BUSHING PIT	CASQUILLO PIT	
20	512.43501	BUSHING WITH FLANGE	CASQUILLO CON BRIDA	
21	513.58948	BAR SUPPORT	SOPORTE BARRA	
22	513.58950	SHAFT HOUSING	CASQUILLO	
23	524.58966	BLADE CRANK	MANIVELA CUCHILLA	
24	524.58955	ECCENTRIC SHAFT	ARBOL EXCENTRICO	
25	524.58956	LONG ECCENTRIC SHAFT	ARBOL EXCENTRICO LUNGO	
26	525.48510	FORK	HORQUILLA REFORCADA	
27	561.42291	WASHER	ARANDELA	
28	561.43497	BOTTOM	FONDO	
29	561.43506	SPACER	SERPADOR	
30	561.43507	ECCENTRIC PROTECTION	PROTECCION EXCENTRICA	
31	561.43516	COVER, BEARING	TAPA COJINETE	
32	561.49389	GUARD END	TAPON PROTECCION	
33	561.58954	SPACER	SEPARADOR	
34	<b>564.46718</b>	<b>BLADE PIN BUSHING 32MM</b>	<b>CASQUILLO CUCHILLO</b>	- 34 & 39 THESE BUSHING ARE 32MM AND 37MM IN DIAMETER. IN RARE CASES THE 32MM BUSHING WILL BE USED. THE CAUSE FOR THE 32 MM TO BE USED IS WHEN A 2000 AND BEYOND CUTTERBAR TRANSMISSION IS USED WITH A 95-99 CUTTERBAR ASSEMBLY.
35	564.58941	PTO COUPLER	ACOPLAMIENTO FRESADORA	



ID	PARTNO	DESCRIPTION	DENOMINACION	NOTES
36	571.40533	END, LOWER	TAPON INFERIOR	- 34 & 39 THESE BUSHING ARE 32MM AND 37MM IN DIAMETER. IN RARE CASES THE 32MM BUSHING WILL BE USED. THE CAUSE FOR THE 32 MM TO BE USED IS WHEN A 2000 AND BEYOND CUTTERBAR TRANSMISSION IS USED WITH A 95-99 CUTTERBAR ASSEMBLY.
37	564.58967	BLADE PIN	PERNO CUCHILLO	
38	590.58965	CRANK WITH FORK	MANIVELA CON HORQUILLA	
39	564.46667	BLADE PIN BUSHING 37MM		
40	314.21101	WASHER SUPER		



ID	PARTNO	DESCRIPTION	DENOMINACION	NOTES
1	300.00001	LUBRICATOR, M10	ENGRASADOR M10	
2	311.12093	SCREW, M6X20	TORNILLO M6X20	
3	311.12282	SCREW M12X65	TORNILLO M12X65	
4	311.12329	SCREW M14X40	TORNILLO M14X40	
5	311.12904	SCREW, M12X1.25X30	TORNILLO M12X1.25X30	
6	312.11140	NUT, M14	TUERCA, M14	
7	312.31184	NUT, M20	TUERCA M20	
8	312.41080	NUT, SELF LOCKING, M8	TUERCA AUTOBLOC. M8	
9	312.41105	NUT, SELF LOCKING, M10	TUERCA AUTOBLOC. M10	
10	312.41125	NUT, SELF LOCKING, M12	TUERCA AUTOBLOC. M12	
11	313.12114	STUD, M10X50X22X14	PRISIONERO M10X50X22X14	
12	314.21060	WASHER	ARANDELA	
13	314.21101	SUPER WASHER, M10	SUPER ARANDELA M10	
14	314.21251	SUPER WASHER, M14	SUPER ARANDELA M14	
15	314.23084	WASHER, LOCK, M8.4	ARANDELA DE RES. M8.4	
16	351.11062	CIRCLIP, INTERNAL	SEEGER, INT.	
17	371.11152	BEARING, M15X42X13	COJINETE M15X42X13	
18	371.11251	BEARING, M25X62X17	COJINETE M25X62X17	
19	371.11349	BEARING, 35X62X14	COJINETE M35X62X14	
20	371.12203	BEARING, M20X42X12	COJINETE M20X42X12	
21	382.02499	OIL SEAL, 35X62X7	CHAPA RET. ACEITE 35X62X7	
22	382.12502	OIL SEAL, 25X52X7	CHAPA RET. ACEITE 25X52X7	
23	513.46651	BAR CONTROL SUPPORT, 10 1/2" LONG	SOPORTE MANDO BARRA, 267MM	
24	513.46652	BAR CONTROL BUSHING, 7 11/16" LONG	CASQUILLO MANDO BARRA, 195MM	
25	513.46700	BLADE CONTROL BOX	CAJA MANDO CUCHILLAS	
26	513.46701	CONTROL CRANK	MANIVELA	
27	513.58951	BAR CONTROL BUSHING, 4 1/2" LONG	CASQUILLO MANDO BARRA, 114MM	
28	513.58952	BAR CONTROL SUPPORT, 7 3/8" LONG	BAR CONTROL SUPPORT, 187MM	
29	523.46715	CONNECTION ROD	BIELLE	
30	561.42291	3-DOG COUPLING	ATTAQUE	
31	564.46702	SHAFT, CONNECTION ROD	ARBOL BIELLE	
32	564.46718	BLADE BUSHING	CASQUILLO CUCHILLO	
33	564.58941	PTO COUPLING	ACOPLAMIENTO A 3 DIENTES	
34	564.58957	CRANK CAM, 7" LONG	EXCENTRICO PARA MANIVELA, 178MM	
35	564.58958	CRANK CAM, 10 3/16" LONG	EXCENTRICO PARA MANIVELA, 259MM	



ID	PARTNO	DESCRIPTION	DENOMINACION	NOTES
36	572.46654	BARREL	PASADOR	
37	580.46661	BOX GASKET	GUARNICION CAJA	
38	590.46719	BLADE PIN	PERNO CUCHILLA	
39	590.51045	BREATHER CAP	TAPON RESPIRACION	

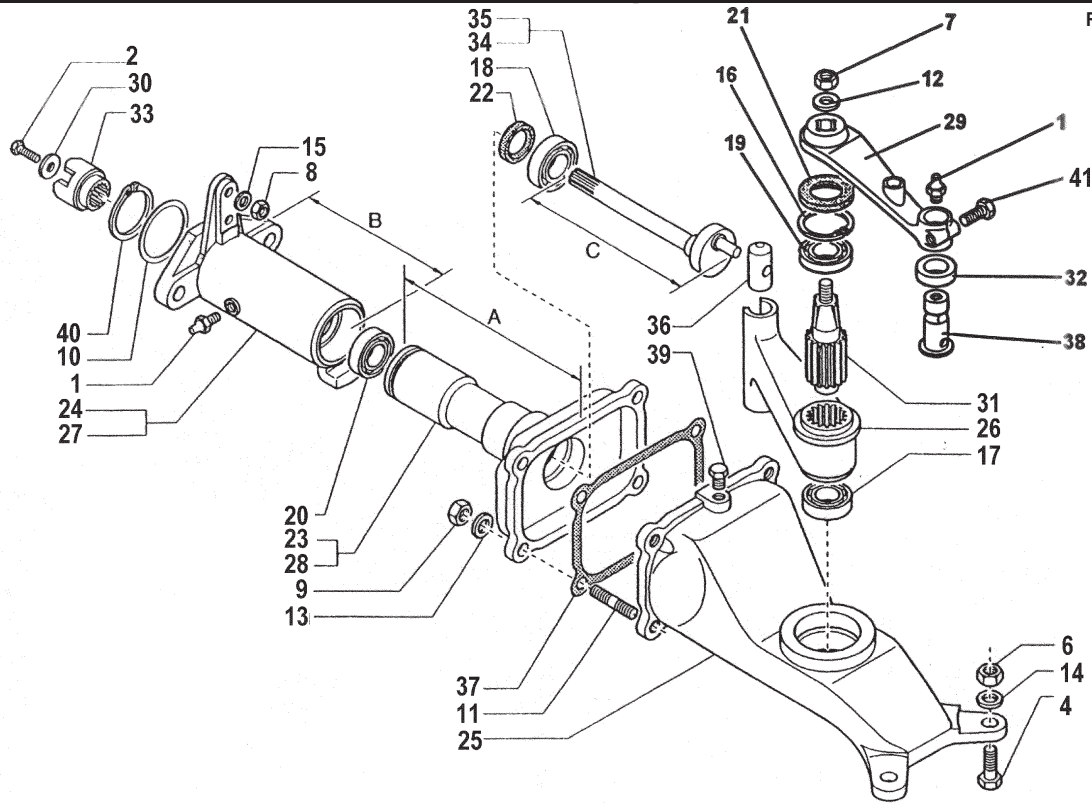
**Attachments**  
**95 + Cutter Bars**

**3 Dog PTO**  
**Oil Bath Control**

**Serial Number Range**  
**----- - 382703**

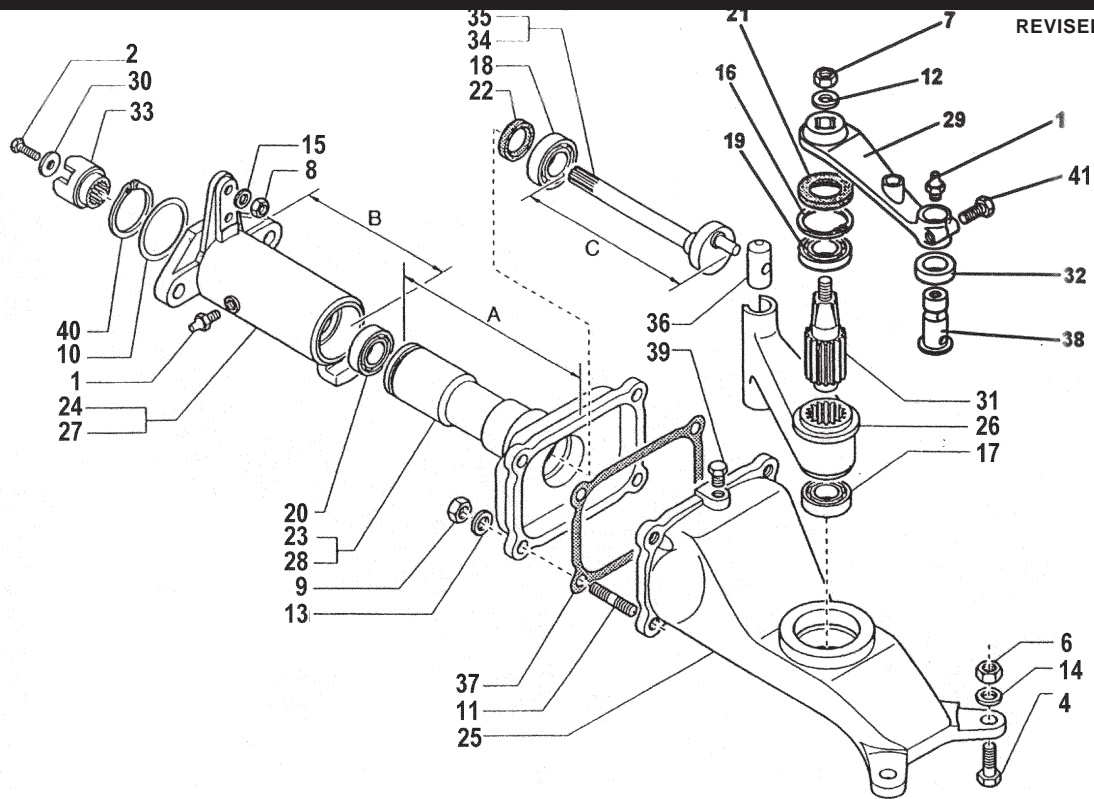
**02.01**

REVISED 02/23/12

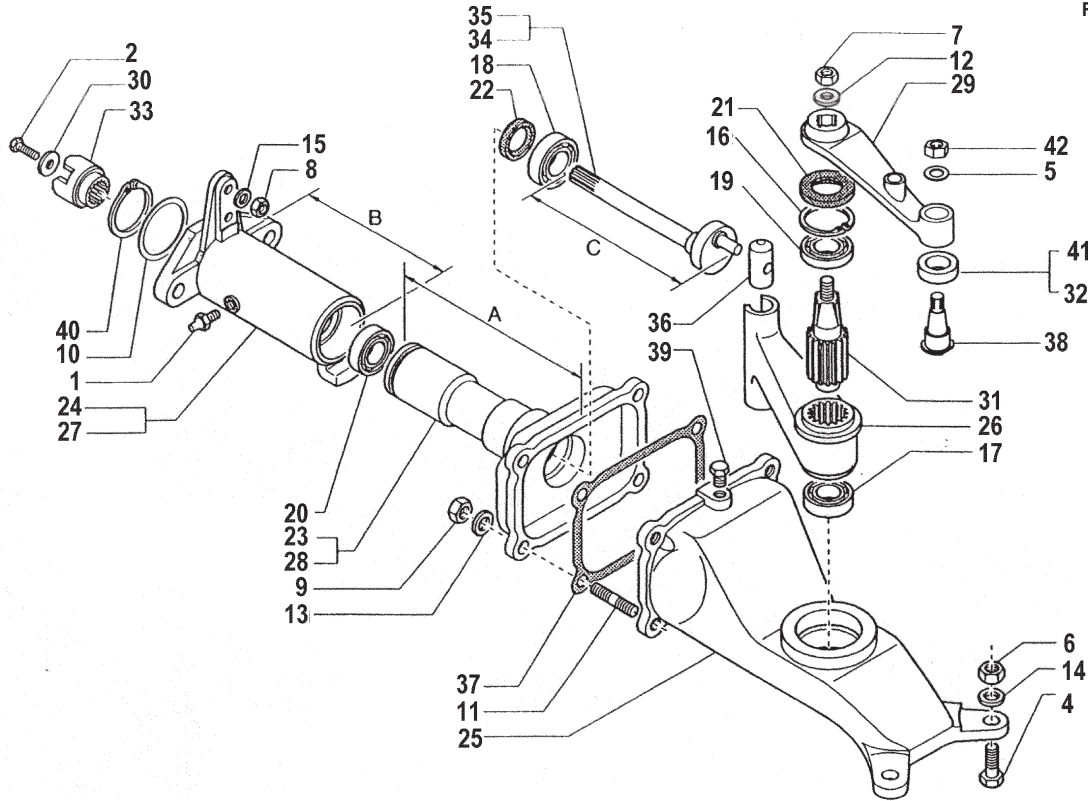


ID	PARTNO	DESCRIPTION	DENOMINACION	NOTES
1	300.00001	LUBRICATOR, M10	ENGRASADOR M10	
2	311.12090	SCREW, M6X20	TORNILLO M6X20	
3	311.12282	SCREW M12X65	TORNILLO M12X65	
4	311.12329	SCREW M14X40	TORNILLO M14X40	
5	314.21101	SUPER WASHER, M10	SUPER ARANDELA M10	
6	312.11140	NUT, M14	TUERCA, M14	
7	312.31184	NUT, M20	TUERCA M20	
8	312.41080	NUT, SELF LOCKING, M8	TUERCA AUTOBLOC. M8	
9	312.41105	NUT, SELF LOCKING, M10	TUERCA AUTOBLOC. M10	
10	563.58964	SPACER RING		
11	313.12114	STUD, M10X50X22X14	PRISIONERO M10X50X22X14	
12	314.21060	WASHER	ARANDELA	
13	314.21101	SUPER WASHER, M10	SUPER ARANDELA M10	
14	314.21251	SUPER WASHER, M14	SUPER ARANDELA M14	
15	314.23084	WASHER, LOCK, M8.4	ARANDELA DE RES. M8.4	
16	351.11062	CIRCLIP, INTERNAL	SEEGER, INT.	
17	371.11152	BEARING, M15X42X13	COJINETE M15X42X13	
18	371.11251	BEARING, M25X62X17	COJINETE M25X62X17	
19	371.11349	BEARING, 35X62X14	COJINETE M35X62X14	
20	371.12203	BEARING, M20X42X12	COJINETE M20X42X12	
21	382.02499	OIL SEAL, 35X62X7	CHAPA RET. ACEITE 35X62X7	
22	382.12502	OIL SEAL, 25X52X7	CHAPA RET. ACEITE 25X52X7	
23	513.58960	BAR CONTROL SUPPORT, 10 1/2"	SOPORTE MANDO BARRA, 267MM	
24	513.58961	BAR CONTROL BUSHING, 7 11/16"	CASQUILLO MANDO BARRA, 195MM	
25	513.58949	BLADE CONTROL BOX	CAJA MANDO CUCHILLAS	
26	513.46701	CONTROL CRANK	MANIVELA	
27	513.58963	BAR CONTROL BUSHING, 4 1/2" LONG	CASQUILLO MANDO BARRA, 114MM	
28	513.58962	BAR CONTROL SUPPORT, 7 3/8" LONG	BAR CONTROL SUPPORT, 187MM	
29	523.46715	CONNECTION ROD	BIELLE	
30	561.42291	3-DOG COUPLING	ATAQUE	
31	564.46702	SHAFT, CONNECTION ROD	ARBOL BIELLE	
32	564.46718	BLADE BUSHING D. 32	CASQUILLO CUCHILLO	
33	564.58941	PTO COUPLING	ACOPLAMIENTO A 3 DIENTES	
34	564.58957	CRANK CAM, 7" LONG	EXCENTRICO PARA MANIVELA, 178MM	
35	564.58958	CRANK CAM, 10 3/16" LONG	EXCENTRICO PARA MANIVELA, 259MM	

REVISED 02/23/12

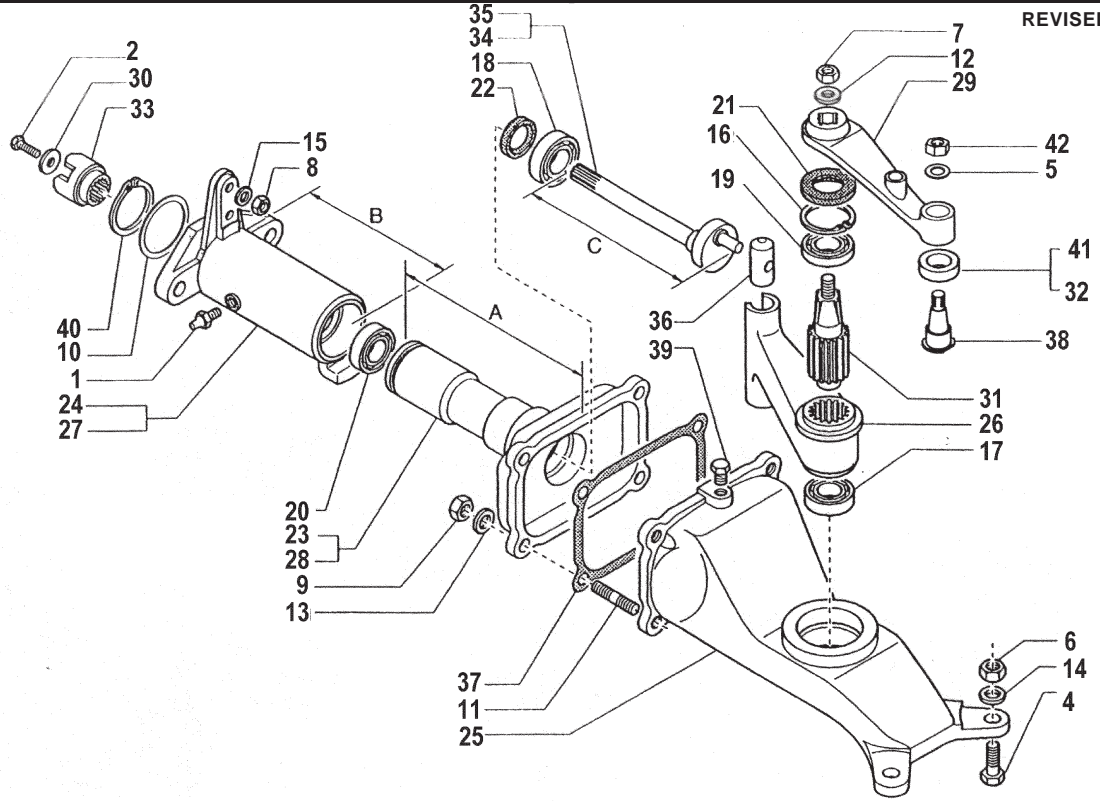


ID	PARTNO	DESCRIPTION	DENOMINACION	NOTES
36	572.46654	BARREL	PASADOR	
37	580.46661	BOX GASKET	GUARNICION CAJA	
38	596.46718	BLADE PIN	PERNO CUCHILLA	
39	590.51045	BREATHER CAP	TAPON RESPIRACION	
40	351.21060	SNAP RING INTERNAL		
41	311.12904	BOLT M12X1.25X30		



ID	PARTNO	DESCRIPTION	DENOMINACION	NOTES
1	300.00001	LUBRICATOR, M10	ENGRASADOR M10	
2	311.12090	SCREW, M6X16	TORNILLO M6X20	
3	311.12282	SCREW M12X65	TORNILLO M12X65	
4	311.12329	SCREW M14X40	TORNILLO M14X40	
5	314.21101	SUPER WASHER, M10	SUPER ARANDELA M10	
6	312.11140	NUT, M14	TUERCA, M14	
7	580.58658	NUT, M20	TUERCA M20	
8	312.41080	NUT, SELF LOCKING, M8	TUERCA AUTOBLOC. M8	
9	312.41105	NUT, SELF LOCKING, M10	TUERCA AUTOBLOC. M10	
10	563.58964	SPACER RING		
11	313.12114	STUD, M10X50X22X14	PRISIONERO M10X50X22X14	
12	314.21060	WASHER	ARANDELA	
13	314.21101	SUPER WASHER, M10	SUPER ARANDELA M10	
14	314.21251	SUPER WASHER, M14	SUPER ARANDELA M14	
15	314.23084	WASHER, LOCK, M8.4	ARANDELA DE RES. M8.4	
16	351.11062	CIRCLIP, INTERNAL	SEEGER, INT.	
17	371.11152	BEARING, M15X42X13	COJINETE M15X42X13	
18	371.11254	BEARING, M25X62X17	COJINETE M25X62X17	
19	371.11349	BEARING, 35X62X14	COJINETE M35X62X14	
20	371.12203	BEARING, M20X42X12	COJINETE M20X42X12	
21	382.02499	OIL SEAL, 35X62X7	CHAPA RET. ACEITE 35X62X7	
22	382.12502	OIL SEAL, 25X52X7	CHAPA RET. ACEITE 25X52X7	
23	513.58960	BAR CONTROL SUPPORT, 10 1/2"	SOPORTE MANDO BARRA, 267MM	
24	513.58961	BAR CONTROL BUSHING, 7 11/16"	CASQUILLO MANDO BARRA, 195MM	
25	513.58949	BLADE CONTROL BOX	CAJA MANDO CUCHILLAS	
26	513.46701	CONTROL CRANK	MANIVELA	
27	513.58963	BAR CONTROL BUSHING, 4 1/2" LONG	CASQUILLO MANDO BARRA, 114MM	
28	513.58962	BAR CONTROL SUPPORT, 7 3/8" LONG	BAR CONTROL SUPPORT, 187MM	
29	523.58968	CONNECTION ROD	BIELLE	
30	561.42291	3-DOG COUPLING	ATTAQUE	
31	564.46702	SHAFT, CONNECTION ROD	ARBOL BIELLE	
32	564.46718	BLADE BUSHING D. 32	CASQUILLO CUCHILLO	
33	564.58941	PTO COUPLING	ACOPLAMIENTO A 3 DIENTES	
34	564.58957	CRANK CAM, 7" LONG	EXCENTRICO PARA MANIVELA, 178MM	
35	564.58958	CRANK CAM, 10 3/16" LONG	EXCENTRICO PARA MANIVELA, 259MM	

REVISED 02/23/12



ID	PARTNO	DESCRIPTION	DENOMINACION	NOTES
36	524.58668	BARREL	PASADOR	
37	580.46661	BOX GASKET	GUARNICION CAJA	
38	564.58967	BLADE PIN	PERNO CUCHILLA	
39	590.51045	BREATHER CAP	TAPON RESPIRACION	
40	351.21060	SNAP RING INTERNAL		
41	564.46667	BLADE BUSHING D. 37-1S	CASQUILLO CUCHILLO	
42	312.41105	NUT M10 DEFORMED		

# Attachments

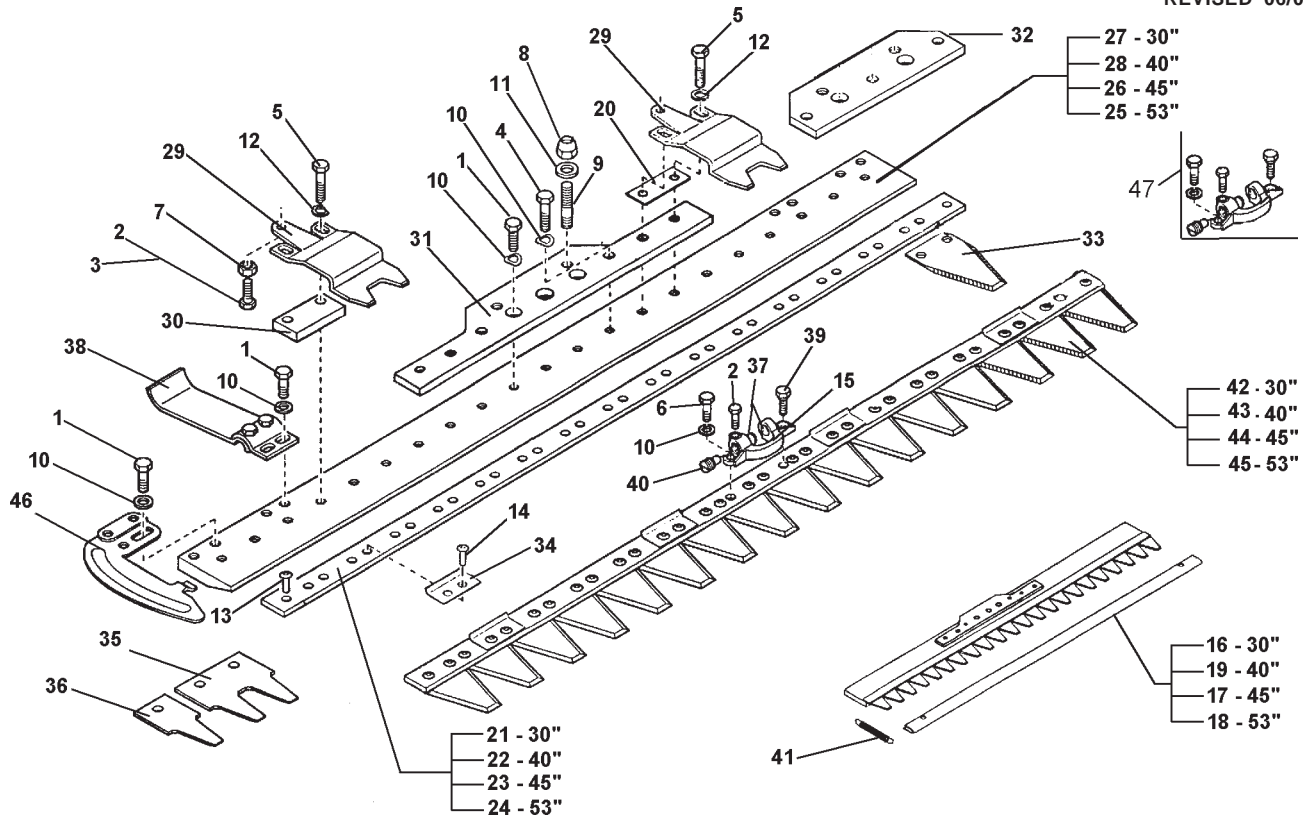
## 95 + Cutter Bars

# 3 Dog PTO Combo Bar

# Serial Number Range 10000 - -----

# 03.00

REVISED 06/06/03



ID	PARTNO	DESCRIPTION	DENOMINACION	NOTES	
1	311.11151	SCREW, M8X16	TORNILLO M8X16	THE SMOOTH INDIVIDUAL BLADE AND BLADE ASSEMBLY IS NO LONGER AVAILABLE. THE SER-RATED BLADE AND BLADE ASSEMBLY REPLACE THEM.	
2	311.12150	SCREW, M8X20	TORNILLO M8X20		
3	311.12151	SCREW, M8X25	TORNILLO M8X25		
4	311.12152	SCREW, M8X30	TORNILLO M8X30		
5	311.12153	SCREW, M8X35	TORNILLO M8X35		
6	311.13093	SCREW, M8X1X16	TORNILLO M8X1X16	20 - THIS SPACER WAS NOT USED ON THE ORIGINAL SERIES OF THIS CUTTER BAR. IT IS NOT REQUIRED IF IT DID NOT COME ON THE CUTTER BAR ORIGINALLY.	
7	312.11080	NUT, M8	TUERCA M8		
8	312.21151	SPECIAL NUT, M14	TUERCA M14		
9	313.12139	STUD, M14X1.5X44	PRISIONERO M14X1.5X44		
10	314.21083	SUPER WASHER, M8	SUPER ARANDELA M8		
11	314.21251	SUPER WASHER, M14	SUPER ARANDELA M14		
12	314.23084	WASHER, LOCK, M8.4	ARANDELA DE RES. M8.4		
13	331.12530	RIVET 5.3X14	REMACHE TSV M5.3X14		
14	331.12534	RIVET 5.3X16	REMACHE TSV M5.3X16		
15	523.46697	BLADE COUPLER	ATTAQUE BARRA		
16	922.51012	BLADE GUARD 30"	PROTECCION CUCHILLA 30"		32 - THIS BAR COUPLING WAS USED ON THE ORIGINAL SERIES OF THIS CUTTER BAR. BEFORE ORDERING,VISUALLY CHECK THE DIFFERENCE BETWEEN ITEM 32 AND ITEM NUMBER 31.
17	922.49903	BLADE GUARD 45"	PROTECCION CUCHILLA 45"		
18	922.49908	BLADE GUARD 53"	PROTECCION CUCHILLA 53"		
19	922.51013	BLADE GUARD 40"	PROTECCION CUCHILLA 40"		
20	561.59011	SPACER, BLADE ADJUSTE	SEPERADO GUIA CUCHILA		
21	561.59020	BLADE STRIP, 30"	PLETINA CUCHILLA 30"	33 - THIS CLEANER WAS NOT USED ON THE ORIGINAL SERIES OF THIS CUTTER BAR. IT IS NOT REQUIRED IF IT DID NOT COME ON THE CUTTER BAR ORIGINALLY.	
22	561.59021	BLADE STRIP, 40"	PLETINA CUCHILLA 40"		
23	561.59022	BLADE STRIP, 45"	PLETINA CUCHILLA 45"		
24	561.59023	BLADE STRIP, 53"	PLETINA CUCHILLA 53"		
25	563.48914	SLIDE FOR CUTTER BAR	PATIN PARA BARRA 53"		
26	563.48915	SLIDE FOR CUTTER BAR	PATIN PARA BARRA 45"		
27	563.48929	SLIDE FOR CUTTER BAR	PATIN PARA BARRA 30"		
28	563.48930	SLIDE FOR CUTTER BAR	PATIN PARA BARRA 40"		
29	563.51400	BLADE HOLDER	GUIA CUCHILLA		
30	563.51402	BLADE GUIDE BLOCK	CUBO GUIA CUCHILLA		
31	563.59009	BAR COUPLING	ATTAQUE BARRA		
32	563.59010	BAR COUPLING (EARLY S	ATTAQUE BARRA		
33	563.59015	INDIVIDUAL BLADE, SER	SECCION CUCHILLA		
34	563.59061	CLEANER	PLETINA		
35	565.50648	DOUBLE FINGER	DIENTE DOBLE		

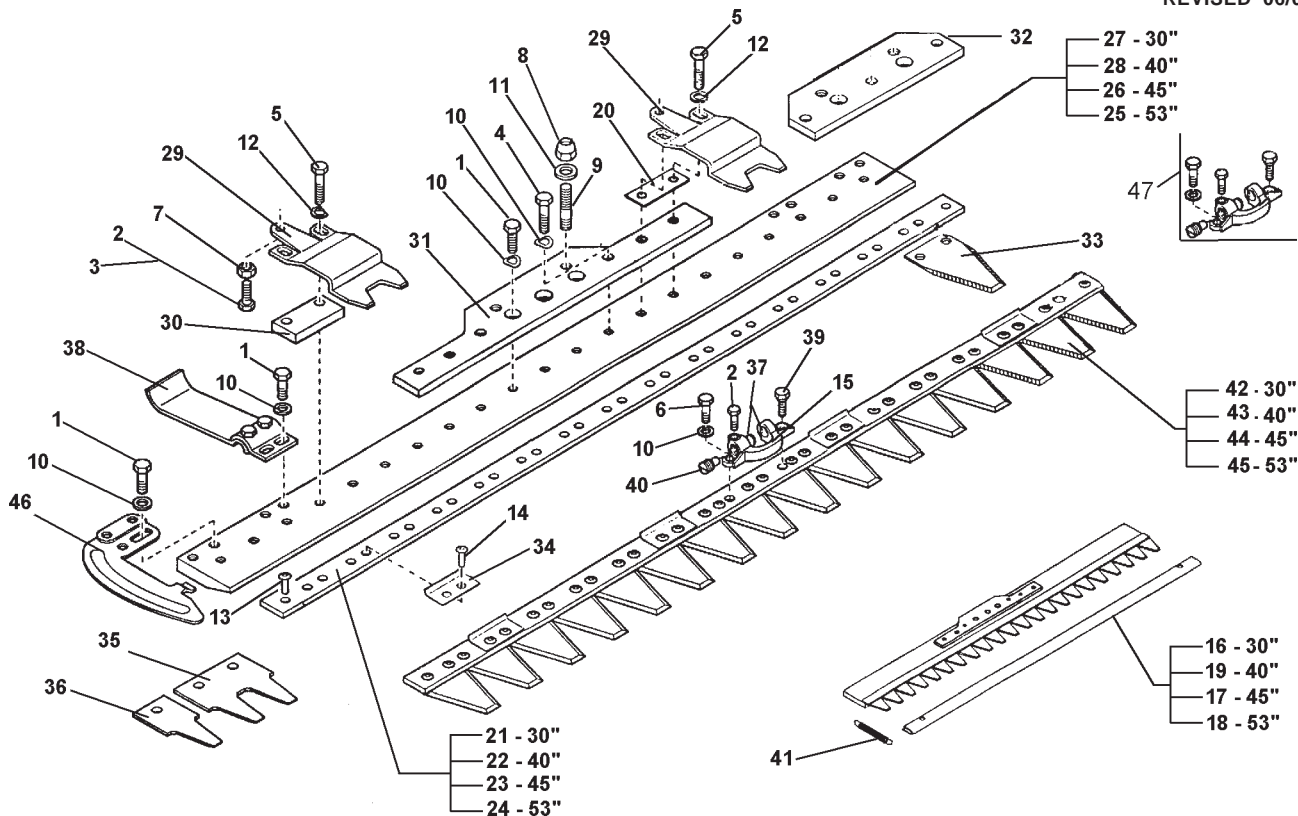
# Attachments 95 + Cutter Bars

## 3 Dog PTO Combo Bar

## Serial Number Range 10000 - -----

# 03.00

REVISED 06/06/03



ID	PARTNO	DESCRIPTION	DENOMINACION	NOTES
36	565.50649	SINGLE FINGER	DIENTE SIMPLE	SEE REFERENCE #47
37	580.02976	BLADE PIN HOLDER	PLETINA GUIA CUCHILLA	
38	580.46677	SKID	PATIN CON TORNILLOS	
39	580.46698	BOLT	TORNILLO	
40	580.46699	ADJUSTING SCREW	TORNILLO ATJQUE	
41	580.49942	SPRING, BLADE GUARD	MUELLE	
42	590.59030	BLADE ASSEMBLY, SERAT	CUCHILLA COMBO 30"	
43	590.59031	BLADE ASSEMBLY, SERAT	CUCHILLA COMBO 40"	
44	590.59032	BLADE ASSEMBLY, SERAT	CUCHILLA COMBO 45"	
45	590.59033	BLADE ASSEMBLY, SERAT	CUCHILLA COMBO 53"	
46	922.48918	END GUARD, PAIR	PROTECCION EXTREMO	
47	592.46663	BLADE COUPLER, COMPLETE		

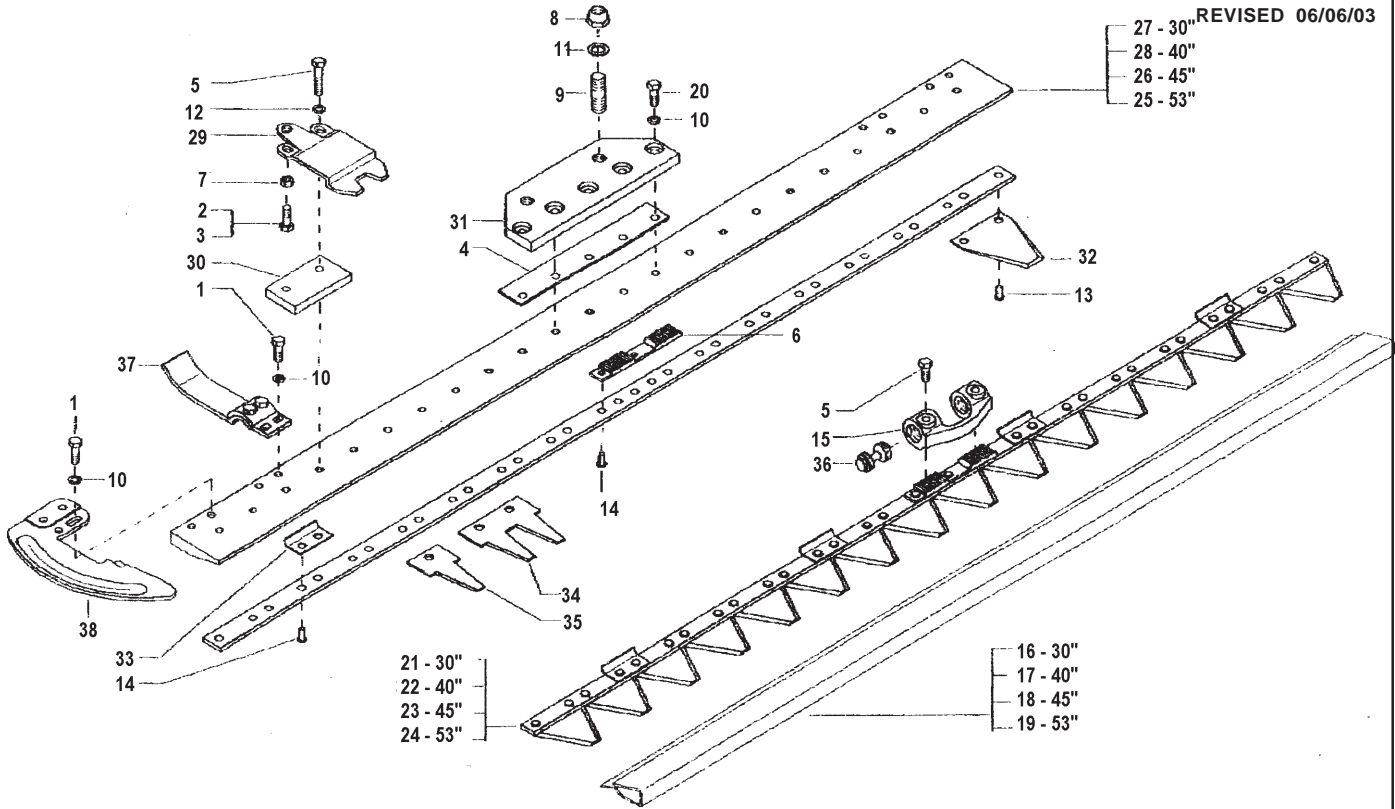
**Attachments**  
95 + Cutter Bars

**3 Dog PTO  
Combo Bar**

**Serial Number Range**  
----- - -----

**03.01**

REVISED 06/06/03



ID	PARTNO	DESCRIPTION	DENOMINACION	NOTES
1	311.11151	SCREW, M8X16	TORNILLO M8X16	
2	311.12150	SCREW, M8X20	TORNILLO M8X20	
3	311.12151	SCREW, M8X25	TORNILLO M8X25	
4	561.58982	SPACER PLATE		
5	311.12153	SCREW, M8X35	TORNILLO M8X35	
6	561.48904	MOUNTING PLATE		
7	312.11080	NUT, M8	TUERCA M8	
8	312.21151	SPECIAL NUT, M14	TUERCA M14	
9	313.12139	STUD, M14X1.5X44	PRISIONERO M14X1.5X44	
10	314.21083	SUPER WASHER, M8	SUPER ARANDELA M8	
11	314.21251	SUPER WASHER, M14	SUPER ARANDELA M14	
12	314.21083	WASHER, LOCK, M8	ARANDELA DE RES. M8	
13	331.12608	RIVET M6.5X13	REMACHE TSVM6.5X13	
14	331.12609	RIVET M6.5X16	REMACHE TSV M6.5X16	
15	521.46665	BLADE COUPLER	ATTAQUE BARRA	
16	552.59131	BLADE GUARD 30"	PROTECCION CUCHILLA 30"	
17	552.59132	BLADE GUARD 40"	PROTECCION CUCHILLA 40"	
18	552.59133	BLADE GUARD 45"	PROTECCION CUCHILLA 45"	
19	552.59134	BLADE GUARD 53"	PROTECCION CUCHILLA 53"	
20	311.14830	BOLT		
21	590.48928	BLADE ASSEMBLY, SERAT	CUCHILLA COMBO 30"	
22	590.48926	BLADE ASSEMBLY, SERAT	CUCHILLA COMBO 40"	
23	590.48909	BLADE ASSEMBLY, SERAT	CUCHILLA COMBO 45"	
24	590.48906	BLADE ASSEMBLY, SERAT	CUCHILLA COMBO 53"	
25	563.48914	SLIDE FOR CUTTER BAR	PATIN PARA BARRA 53"	
26	563.48915	SLIDE FOR CUTTER BAR	PATIN PARA BARRA 45"	
27	563.48929	SLIDE FOR CUTTER BAR	PATIN PARA BARRA 30"	
28	563.48930	SLIDE FOR CUTTER BAR	PATIN PARA BARRA 40"	
29	563.59003	BLADE HOLDER	GUIA CUCHILLA	
30	563.51402	BLADE GUIDE BLOCK	CUBO GUIA CUCHILLA	
31	563.58981	BAR COUPLING	ATTAQUE BARRA	
32	563.50696	INDIVIDUAL BLADE, SERATED	SECCION CUCHILLA	
33	563.59061	CLEANER	PLETINA	
34	565.50648	DOUBLE FINGER	DIENTE DOBLE	
35	565.50649	SINGLE FINGER	DIENTE SIMPLE	

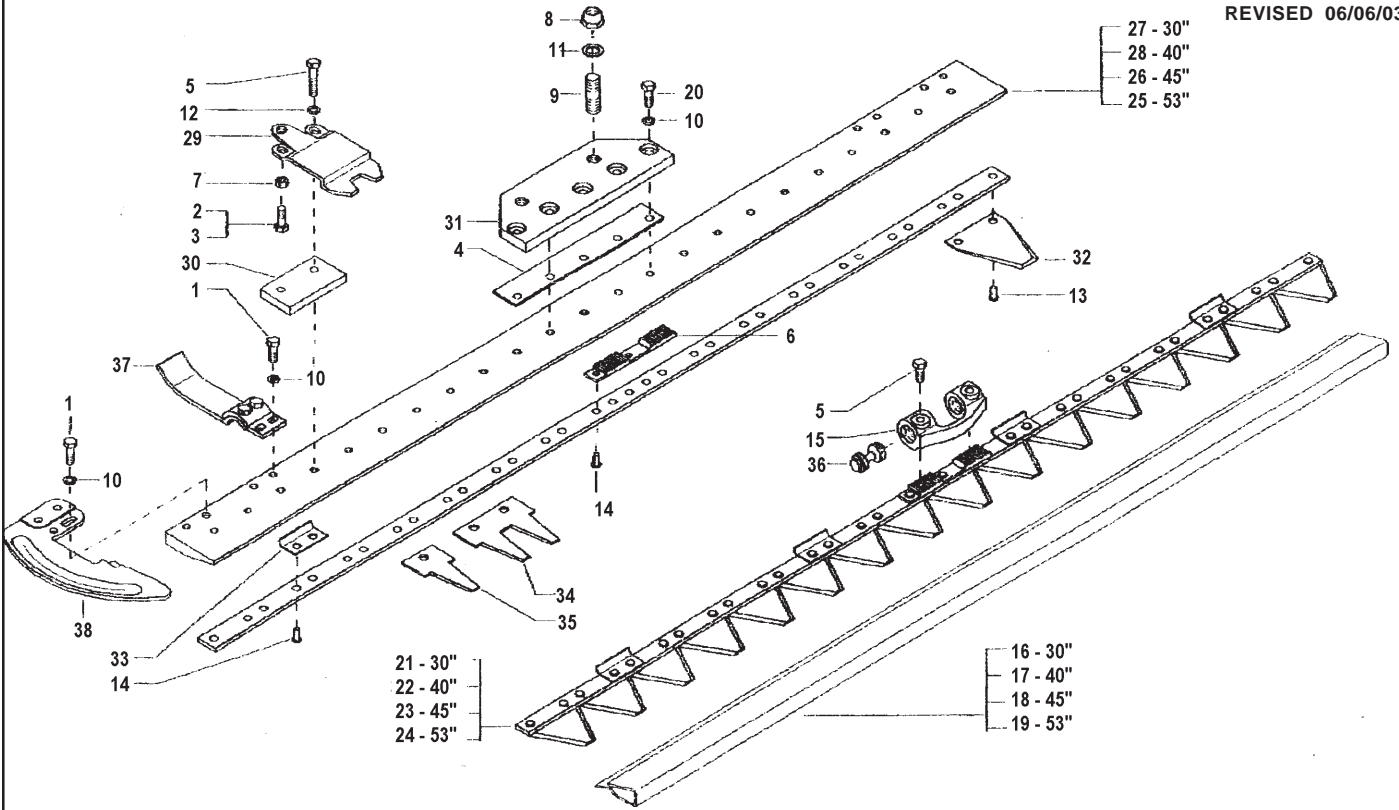
**Attachments**  
95 + Cutter Bars

**3 Dog PTO  
Combo Bar**

**Serial Number Range**  
-----

**03.01**

REVISED 06/06/03



ID	PARTNO	DESCRIPTION	DENOMINACION	NOTES
36	580.46666	SCREW, BLADE COUPLING		
37	580.46677	SKID WITH SCREW		
38	922.48918	END GUARD, PAIR	PROTECCION EXTREMO	

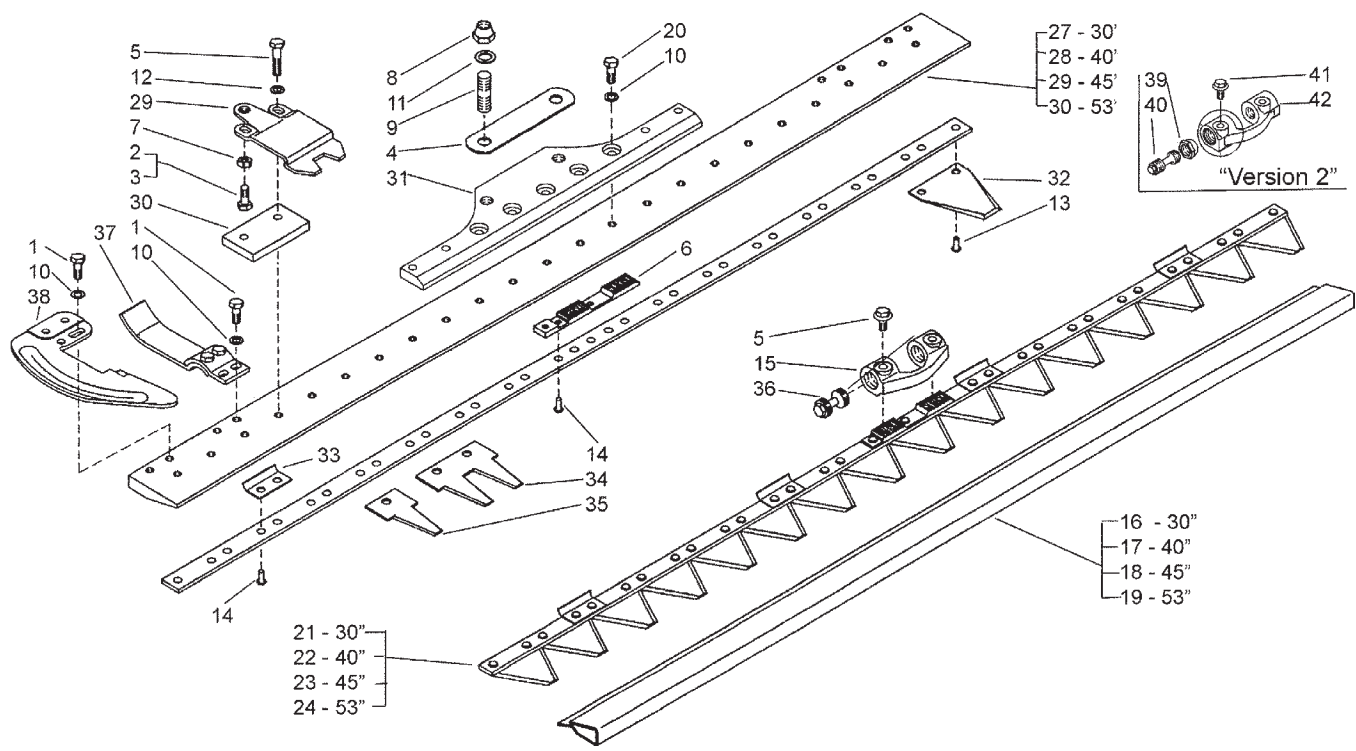
**Attachments**  
95 + Cutter Bars

**3 Dog PTO  
Combo Bar**

**Serial Number Range**  
-----

**03.02**

REVISED 06/06/03



ID	PARTNO	DESCRIPTION	DENOMINACION	NOTES
1	311.11151	SCREW, M8X16	TORNILLO M8X16	
2	311.1215	SCREW, M8X20	TORNILLO M8X20	
3	311.12151	SCREW, M8X25	TORNILLO M8X25	
4	561.59137	SPACER PLATE		
5	311.12153	SCREW, M8X35	TORNILLO M8X35	
6	561.48904	MOUNTING PLATE		
7	312.11080	NUT, M8	TUERCA M8	
8	312.21151	SPECIAL NUT, M14	TUERCA M14	
9	313.12139	STUD, M14X1.5X44	PRISIONERO M14X1.5X44	
10	314.21083	SUPER WASHER, M8	SUPER ARANDELA M8	
11	314.21251	SUPER WASHER, M14	SUPER ARANDELA M14	
12	314.21083	WASHER, LOCK, M8	ARANDELA DE RES. M8	
13	331.12608	RIVET M6.5X13	REMACHE TSVM6.5X13	
14	331.12609	RIVET M6.5X16	REMACHE TSV M6.5X16	
15	521.46665	BLADE COUPLER	ATAQUE BARRA	
16	552.59131	BLADE GUARD 30"	PROTECCION CUCHILLA 30"	NOTE: REF# 5, 15 AND 31 MAKE UP THE FIRST VERSION OF THIS COUPLER. THERE IS A RUNNING CHANGE DURING PRODUCTION TO THE VERSION 2. PLEASE NOTE THAT REF# 15 NOW SUBS TO REF #42, SO ORDER COMPONENTS ACCORDINGLY (1) 521.58660 (2) 580.58661 (2) 580.58662 (2) 311.12165
17	552.59132	BLADE GUARD 40"	PROTECCION CUCHILLA 40"	
18	552.59133	BLADE GUARD 45"	PROTECCION CUCHILLA 45"	
19	552.59134	BLADE GUARD 53"	PROTECCION CUCHILLA 53"	
20	311.14830	BOLT		
21	590.48928	BLADE ASSEMBLY, SERAT	CUCHILLA COMBO 30"	
22	590.48926	BLADE ASSEMBLY, SERAT	CUCHILLA COMBO 40"	
23	590.48909	BLADE ASSEMBLY, SERAT	CUCHILLA COMBO 45"	
24	590.48906	BLADE ASSEMBLY, SERAT	CUCHILLA COMBO 53"	
25	563.48914	SLIDE FOR CUTTER BAR	PATIN PARA BARRA 53"	
26	563.48915	SLIDE FOR CUTTER BAR	PATIN PARA BARRA 45"	
27	563.48929	SLIDE FOR CUTTER BAR	PATIN PARA BARRA 30"	
28	563.48930	SLIDE FOR CUTTER BAR	PATIN PARA BARRA 40"	
29	563.59003	BLADE HOLDER	GUIA CUCHILLA	
30	563.51402	BLADE GUIDE BLOCK	CUBO GUIA CUCHILLA	
31	563.58891	BAR COUPLING	ATAQUE BARRA	
32	563.50696	INDIVIDUAL BLADE, SERATED	SECCION CUCHILLA	
33	563.59061	CLEANER	PLETINA	
34	565.50648	DOUBLE FINGER	DIENTE DOBLE	
35	565.50649	SINGLE FINGER	DIENTE SIMPLE	

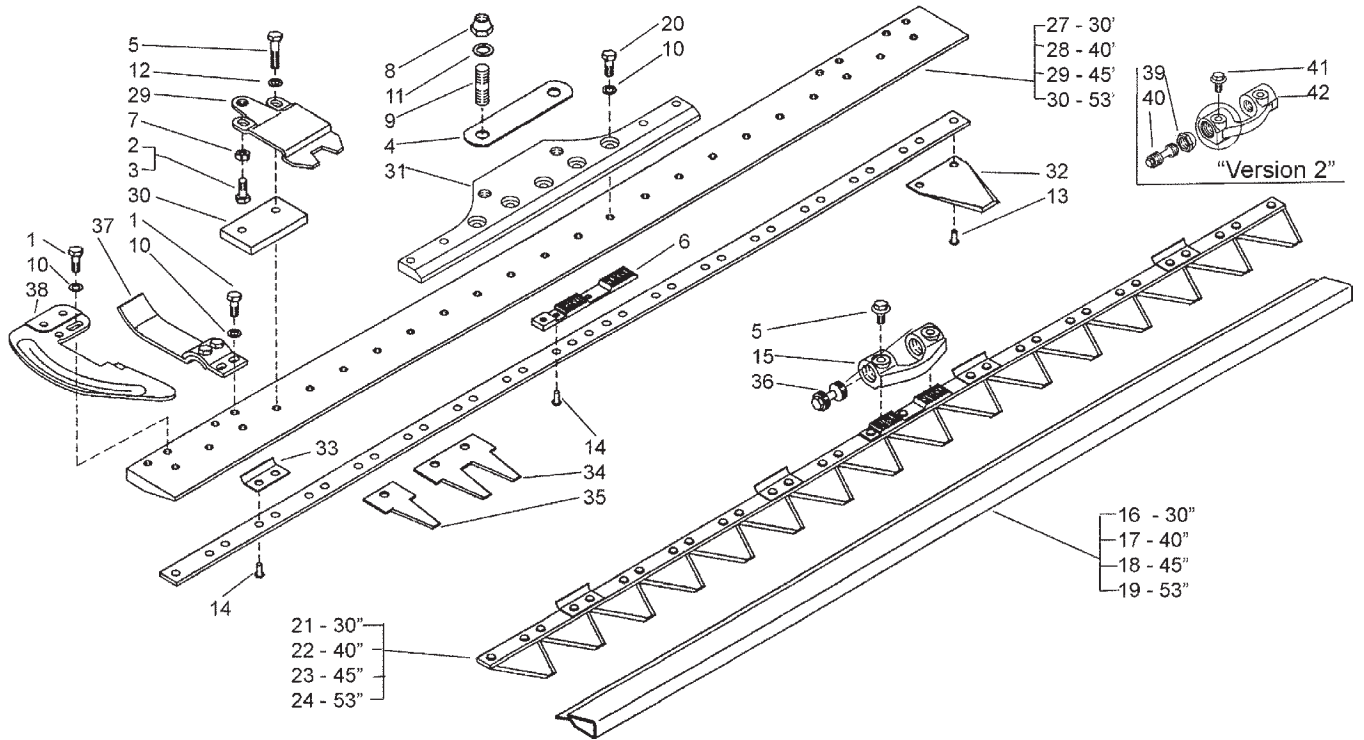
**Attachments**  
**95 + Cutter Bars**

**3 Dog PTO**  
**Combo Bar**

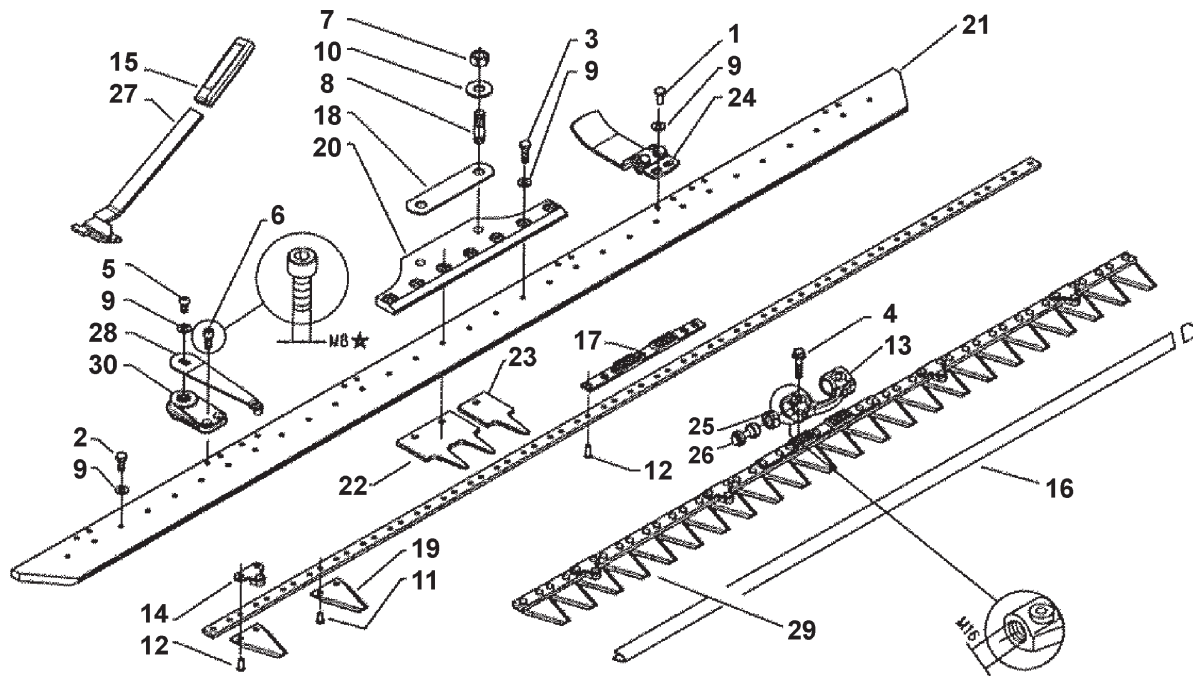
**Serial Number Range**  
-----

**03.02**

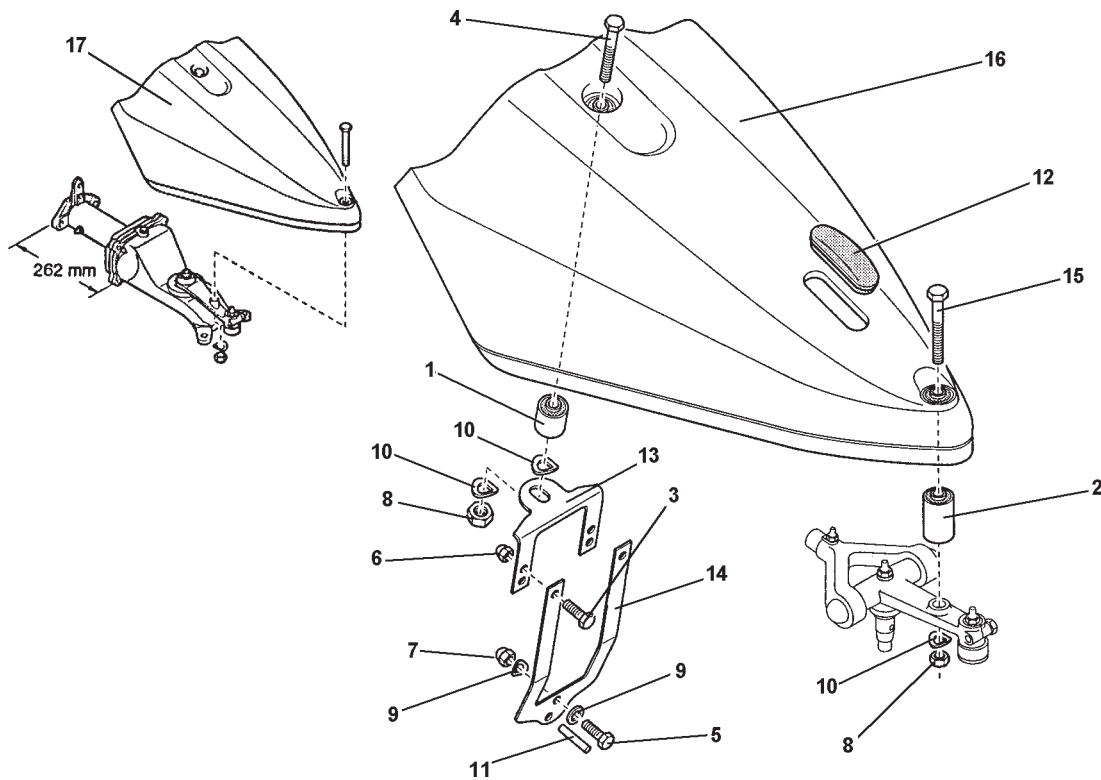
REVISED 06/06/03



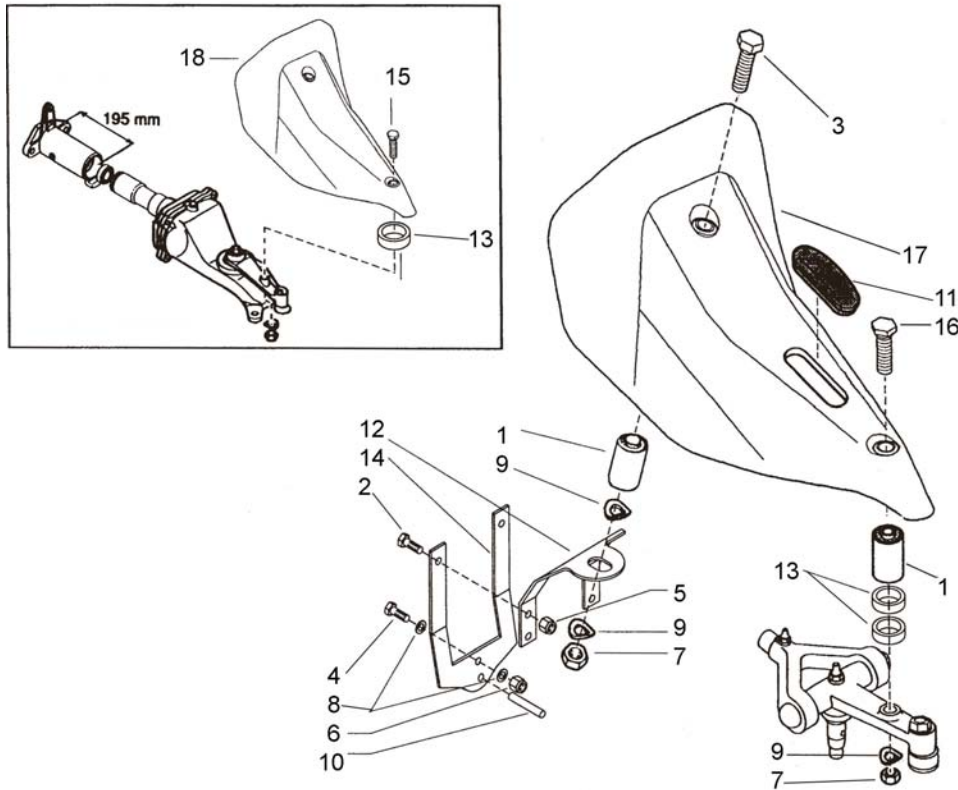
ID	PARTNO	DESCRIPTION	DENOMINACION	NOTES
36	580.46666	SCREW, BLADE COUPLING		
37	580.46677	SKID WITH SCREW		
38	922.48918	END GUARD, PAIR		
39	580.58661	BUSHING		
40	580.58662	SCREW, BLADE COUPLING		
41	311.12165	SCREW		
42	521.58660	COUPLER		



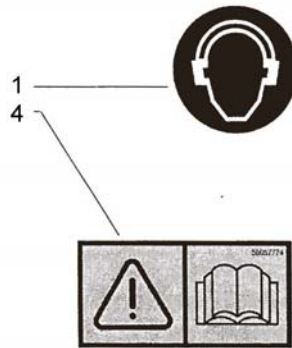
ID	PARTNO	DESCRIPTION	DENOMINACION	NOTES
1	311.11151	SCREW, M8X16		
2	311.12150	SCREW, M8X20		
3	311.12151	SCREW, M8X25		
4	311.12165	SCREW		
5	311.21013	SCREW, M8X16 7380-8G		
6	311.52077	SCREW		
7	312.21151	NUT, M14X1.5		
8	313.12141	STUD, M14X1.5X48X12X20		
9	314.21083	WASHER, M8		
10	314.21251	WASHER, M14 SUPER		
11	331.12608	RIVET, M6.5X13		
12	331.12609	RIVET, M6.5X16		
13	521.58660	CONNECTION		
14	524.58678	CONNECTION		
15	551.02714	KNOB		
16A	552.59134	GUARD 45"		
16B	552.59135	GUARD 53"		
17	561.58677	SMALL PLATE		
18	561.59137	SHIM		
19	563.50696	BLADE SECTION		
20	563.58679	CONNECTION		
21A	563.58705	CONVEYING CHUTE 45"		
21B	563.58706	CONVEYING CHUTE 53"		
22	565.50648	DOUBLE TOOTH		
23	565.50649	SIMPLE TOOTH		
24	580.46677	SLIDE		
25	580.58661	CONICAL NUT		
26	580.58662	SCREW FOR BLADE CONNECTION		
27	590.58593	SPRING LIFTER		
28	590.58601	SPRING		
29A	590.58684	BLADE 45"		
29B	590.58681	BLADE 53"		
30	592.58715	SUPPORT		



ID	PART NO	DESCRIPTION	DENOMINACION	NOTES
1	300.10140	SILENTBLOCK	SILENTBLOC.	
2	300.10141	SILENTBLOCK	SILENTBLOC.	
3	311.11091	SCREW, M6 X 14	TORNILLO M6 X 14	
4	311.11331	SCREW, M14 X 50	TORNILLO M14 X 50	
5	311.12152	SCREW, M8 X 30	TORNILLO M8 X 30	
6	312.41060	NUT, SELF LOCKING M6	TUERCA AUTOBLOC. M6	
7	312.41080	NUT, SELF LOCKING M8	TUERCA AUTOBLOC. M8	
8	312.41140	NUT, SELF LOCKING M14	TUERCA AUTOBLOC. M14	
9	314.23084	WASHER, LOCK M8.4	ARANDELA DE RES. M8.4	
10	314.23150	WASHER, LOCK M15	ARANDELA DE RES. M15	
11	342.11087	PIN, LOCKING M8 X 20	ESPINA DE RES. 8 X 20	
12	551.43495	OVAL PLUG FOR PROTECTION	TAPON OVAL PARA PROTECCION	
13	563.59179	UPPER COUPLING	ATTAQUE SUPERIOR	
14	563.59180	LOWER COUPLING	ATTAQUE INFERIOR	
15	580.43500	SCREW M14 X 90	TORNILLO ESPECIAL M14 X 90	
16	592.59178	GUARD	PROTECCION	
17	592.59182	GUARD FOR OIL BATH	PROTECCION	



ID	PARTNO	DESCRIPTION	DENOMINACION	NOTES
1	300.10144	RUBBER MOUNT, 14X60X25X28		
2	311.11091	CAPSCREW, M6X14		
3	311.11331	CAPSCREW, M14X50		
4	311.12152	CAPSCREW, M8X30		
5	312.41060	LOCKNUT, M6 STANDARD		
6	312.41080	LOCKNUT, M8 STANDARD		
7	312.41140	LOCKNUT, M14, LOW		
8	314.23084	WASHER, LOCK, M8.4		
9	314.23150	WASHER, LOCK, B 15		
10	342.11087	PIN SPLIT, M8X20		
11	551.43495	PLUG, OVAL PROTECTION		
12	563.58563	COUPLER, UPPER		
13	563.58643	SPACER		
14	563.59180	COUPLER, LOWER		
15	580.46689	BOLT		
16	580.58652	BOLT		
17	592.58592	HOOD, DRY TRANSMISSION		
18	592.58631	HOOD, OIL BATH TRANSMISSION		
19	580.48325	DECAL, HEARING PROTECT		NOT IMAGED
20	580.57724	DECAL, READ OWNERS MANUAL		NOT IMAGED
21	580.57769	DECAL, CAUTION		NOT IMAGED
22	530.48656	DECAL, BCS LOGO		NOT IMAGED



ID	PARTNO	DESCRIPTION	DENOMINACION	NOTES
1	580.48325	DECAL, HEARING PROTECTION		
2	580.48656	DECAL, LOGO		
3	580.57724	DECAL, OPERATORS MANUAL		
4	580.57769	DECAL, CAUTION		