



A M E R I C A

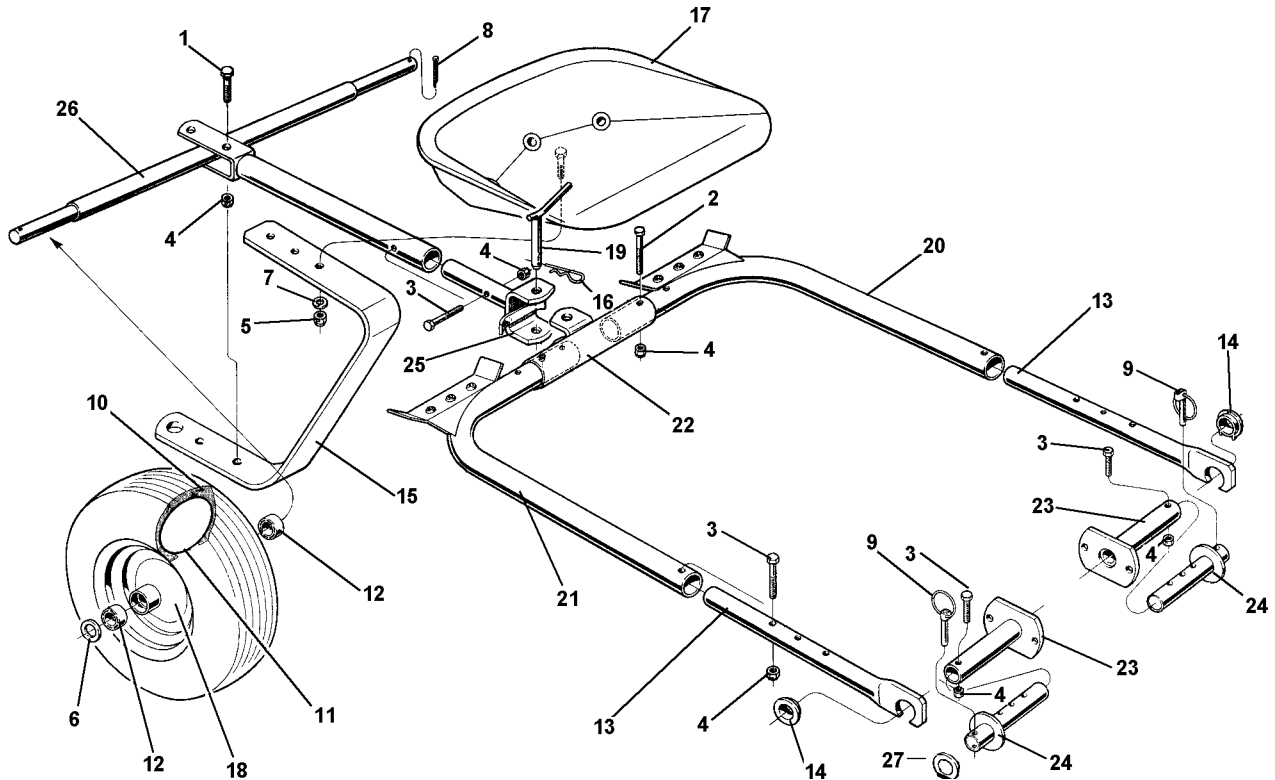
Attachments Sulky

Mowing Sulky

Serial Number Range
ALL

01.00

REVISED 6/24/02



| ID | PARTNO | DESCRIPTION | DENOMINACION | NOTES |
|----|-----------|---------------------------------------|----------------------------------|--|
| 1 | 311.12211 | SCREW M10 X 30 | TORNILLO M10 X 30 | |
| 2 | 311.12216 | SCREW TE M10 X 65 UNI 5739-8G | TORNILLO TE M10 X 65 UNI 5739-8G | |
| 3 | 311.12225 | SCREW | TORNILLO | |
| 4 | 312.41100 | NUT, SELF LOCKING M10 | TUERCA AUTOBLOC. M10 | |
| 5 | 312.41121 | NUT, SELF LOCKING M12 LOW | TUERCA AUTOBLOC. M12 BAJA | |
| 6 | 314.14260 | WASHER, FLAT 26 | ARANDELA PLANA 26 | |
| 7 | 314.23130 | WASHER, LOCK 13 | ARANDELA DE RES. 13 | |
| 8 | 341.10051 | PIN, COTTER Z 5 X 40 UNI 1336 | PASADOR A 5 X 40 UNI 1336 | |
| 9 | 342.40011 | PIN | ESPIÑA | |
| 10 | 392.21203 | TIRE FOR CAR 100 X 203 | CUBIERTA NEUMATICO 100 X 203 | |
| 11 | 394.14008 | TUBE 4.00 X 8 | CAMARA 4.00 X 8 | |
| 12 | 552.42390 | BUSHING | CASQUILLO | |
| 13 | 561.49311 | FRONT ARM | BRAZO ANTERIOR | |
| 14 | 563.49326 | BUSHING | CASQUILLO | |
| 15 | 565.49320 | SEAT SPRING | MUELLE ASIENTO | |
| 16 | 580.02052 | PIN | CLAVITA | |
| 17 | 580.48791 | PADDED SEAT | ASIENTO | |
| 18 | 590.02955 | SULKY WHEEL | RUEDA PARA CARRO TRABAJO | |
| 19 | 590.48697 | PIN | PERNO | |
| 20 | 590.49025 | SULKY HALF FRAME | SEMI CHASIS ASIENTO | 20, 21 & 22 - THIS ADJUSTABLE FRAME REPLACES THE ONE PIECE FRAME USED ON EARLIER UNITS. |
| 21 | 590.49026 | SULKY HALF FRAME | SEMI CHASIS ASIENTO | |
| 22 | 590.49028 | SULKY COUPLING | ATTAQUE ASIENTO | |
| 23 | 590.49030 | FLANGE | BRIDA | |
| 24 | 590.49032 | WHEEL EXTENSION | ENSANCHE RUEDAS | 24 - THERE HAS BEEN A RUNNING CHANGE WITH THIS PART, THE OLD STYLE PART IS 31 MM FROM END TO THE FLANGE AND THE NEW STYLE HAS 36MM FROM END TO FLANGE. THE NEW STYLE WHEEL EXTENSION WILL REQUIRE A 561.49033 SPACER WASHER. |
| 25 | 590.49316 | FORK COUPLING | ATTAQUE HORQUILLA | |
| 26 | 590.49335 | WHEEL EXLE | EJE RUEDAS | |
| 27 | 561.49033 | SPACER WASHER (SEE NOTE FOR ITEM #24) | | |

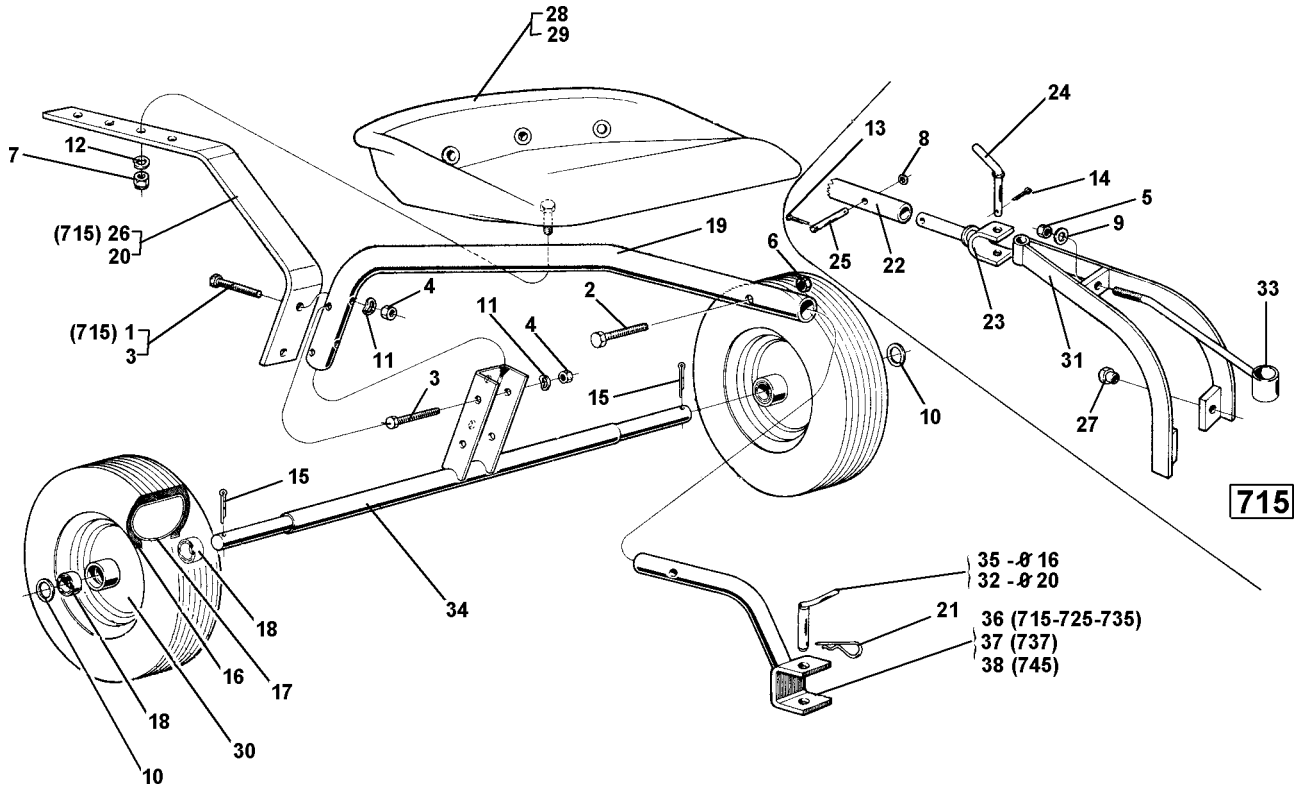
Attachments Sulky

Transport Sulky

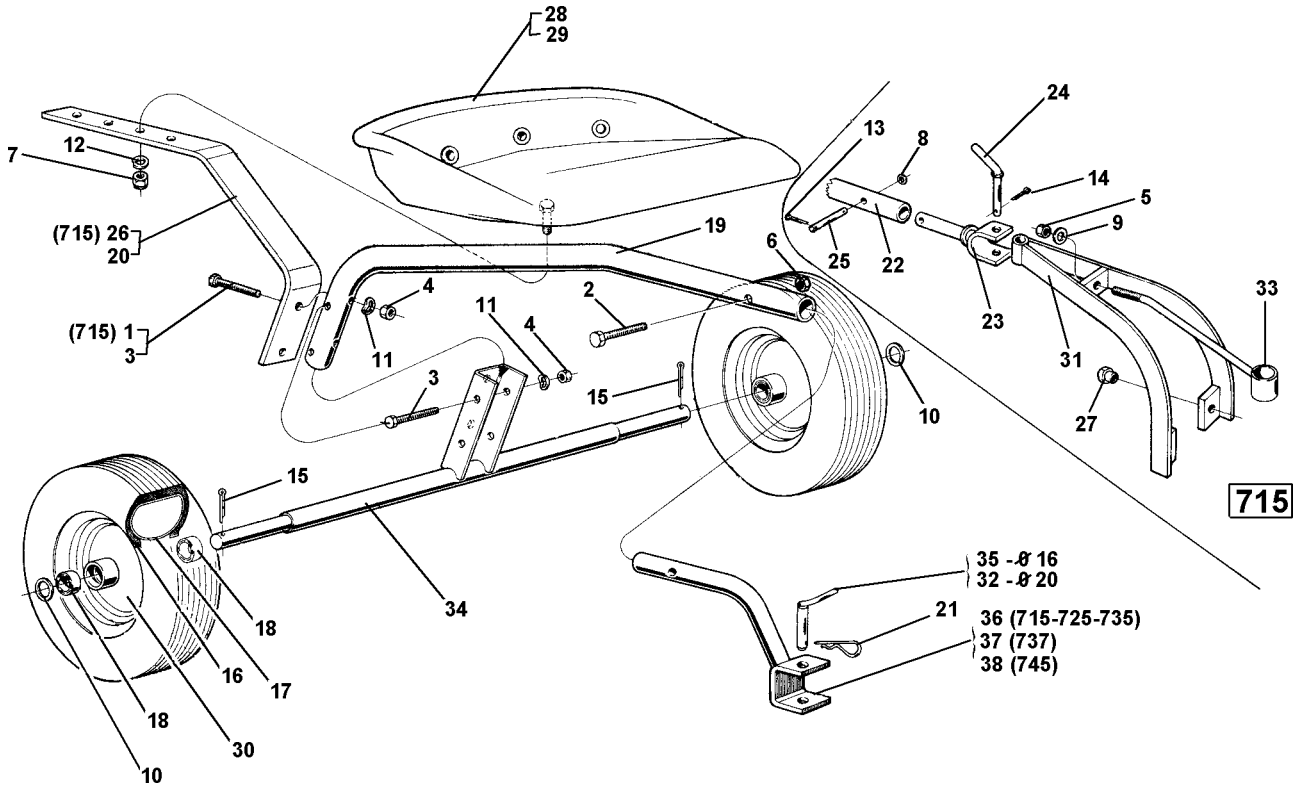
Serial Number Range
With "V" Draw Bar

02.00

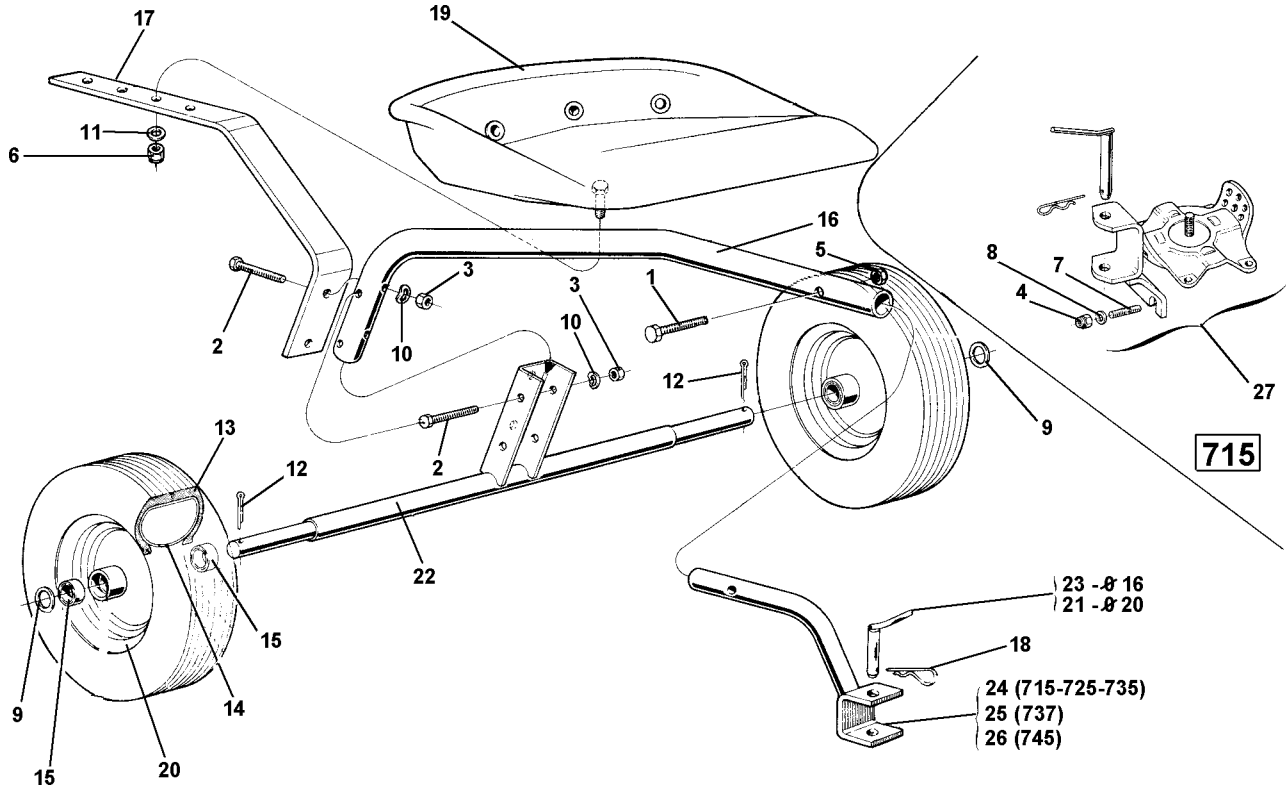
REVISED 11/12/01



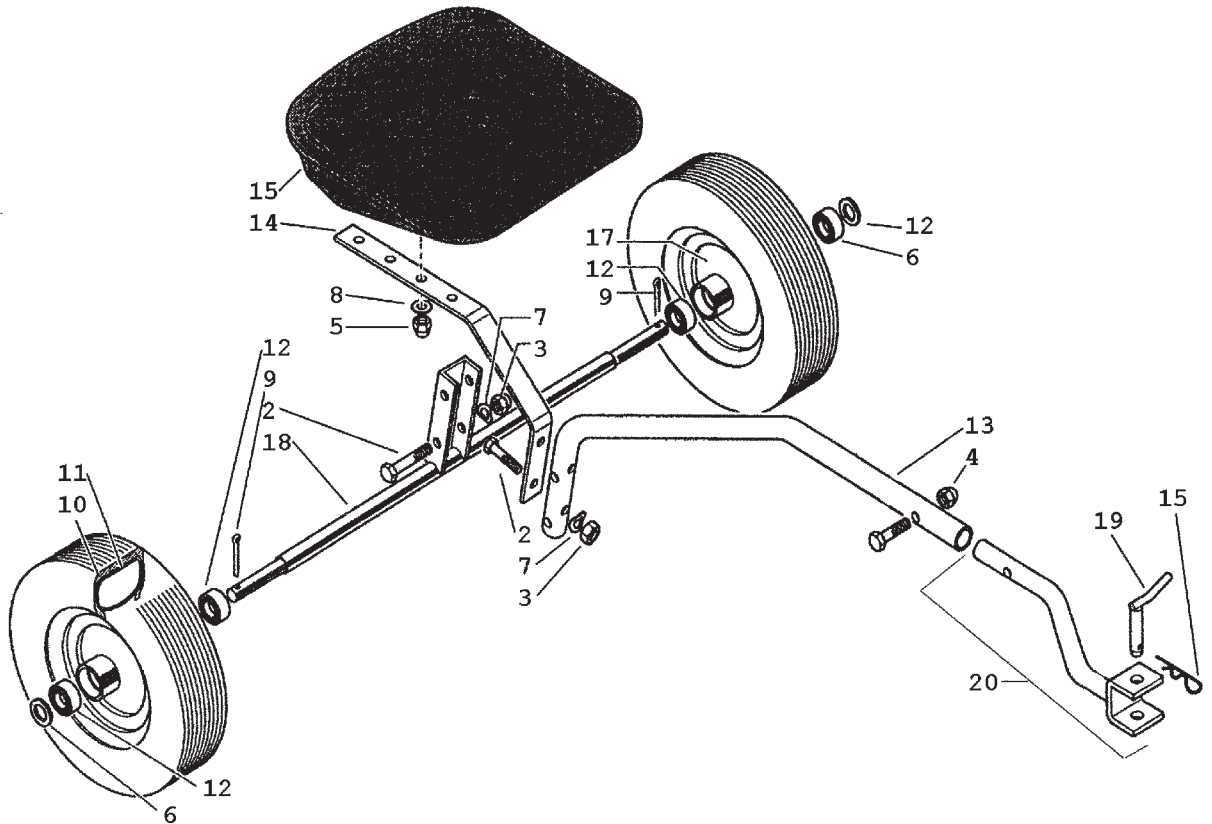
| ID | PARTNO | DESCRIPTION | DENOMINACION | NOTES |
|----|-----------|-------------------------------|----------------------------------|-------|
| 1 | 311.11212 | SCREW TE M10 X 25 | TORNILLO TE M10 X 25 | |
| 2 | 311.12215 | SCREW M10 X 60 | TORNILLO M10 X 60 | |
| 3 | 311.12216 | SCREW TE M10 X 65 UNI 5739-8G | TORNILLO TE M10 X 65 UNI 5739-8G | |
| 4 | 312.11100 | NUT M10 | TUERCA M10 | |
| 5 | 312.11140 | NUT M14 UNI 5588-5S | TUERCA M14 UNI 5588-5S | |
| 6 | 312.41100 | NUT, SELF LOCKING M10 | TUERCA AUTOBLOC. M10 | |
| 7 | 312.41120 | NUT, SELF LOCKING M12 | TUERCA AUTOBLOC. M12 | |
| 8 | 314.11130 | WASHER, FLAT 13 | ARANDELA PLANA 13 | |
| 9 | 314.11150 | WASHER, FLAT 15 | ARANDELA PLANA 15 | |
| 10 | 314.14260 | WASHER, FLAT 26 | ARANDELA PLANA 26 | |
| 11 | 314.23105 | WASHER, LOCK 10.5 | ARANDELA DE RES. 10.5 | |
| 12 | 314.23130 | WASHER, LOCK 13 | ARANDELA DE RES. 13 | |
| 13 | 341.10040 | PIN, COTTER A 4 X 20 UNI 1336 | PASADOR A 4 X 20 UNI 1336 | |
| 14 | 341.10042 | PIN, COTTER A 4 X 30 UNI 1336 | PASADOR A 5 X 40 UNI 1336 | |
| 15 | 341.10051 | PIN, COTTER A 5 X 40 UNI 1336 | PASADOR A 5 X 40 UNI 1336 | |
| 16 | 392.21203 | TIRE FOR CAR 100 X 203 | CUBIERTA NEUMATICO 100 X 203 | |
| 17 | 394.14008 | TUBE 4.00 X 8 | CAMARA 4.00 X 8 | |
| 18 | 552.42390 | BUSHING | CASQUILLO | |
| 19 | 561.48682 | CAR TUBE | TUBO CARRO | |
| 20 | 565.48699 | SEAT SPRING | MUELLE ASIENTO | |
| 21 | 580.02052 | PIN | CLAVITA | |
| 22 | 580.42383 | SEAT FRAME | CHASIS CARRO | |
| 23 | 580.42384 | CONNECTION FOR CAR | FIJACION PARA CARRO TRABAJO | |
| 24 | 580.42385 | HANDLE | MANETA | |
| 25 | 580.42386 | PIN | PERNO | |
| 26 | 580.42388 | CONNECTION FOR SEAR | FIJACION ASIENTO | |
| 27 | 580.42809 | NUT M12 X 1.25 | TUERCA CON REBAJE | |
| 28 | 580.48791 | PADDED SEAT | ASIENTO | |
| 29 | 590.02078 | SEAR FOR CAR | ASIENTO PARA CARRO TRABAJO | |
| 30 | 590.02955 | SULKY WHEEL | RUEDA PARA CARRO TRABAJO | |
| 31 | 590.42380 | V-DRAWBAR | ENGANCHE AV | |
| 32 | 590.42768 | PIN | PERNO | |
| 33 | 590.43798 | TIEROD, BENT, FOR 715 | TIRANTE COMPL. CURVADO X 715 | |
| 34 | 590.48688 | AXLE | EJE | |
| 35 | 590.48697 | PIN | PERNO | |



| ID | PARTNO | DESCRIPTION | DENOMINACION | NOTES |
|----|-----------|-------------------------|-----------------------|-------|
| 36 | 922.43791 | CURVED COUPLING 725-735 | ATTAQUE CURVO 725-735 | |
| 37 | 922.47720 | CURVED COUPLING 737 | ATTAQUE CURVO 737 | |
| 38 | 922.49767 | CURVED COUPLING 745 | ATTAQUE CURVO 745 | |



| ID | PARTNO | DESCRIPTION | DENOMINACION | NOTES |
|----|-----------|-------------------------------|----------------------------------|-------|
| 1 | 311.12215 | SCREW M10 X 60 | TORNILLO M10 X 60 | |
| 2 | 311.12216 | SCREW TE M10 X 65 UNI 5739-8G | TORNILLO TE M10 X 65 UNI 5739-8G | |
| 3 | 312.11100 | NUT M10 | TUERCA M10 | |
| 4 | 312.41080 | NUT, SELF LOCKING M8 | TUERCA AUTOBLOC. M8 | |
| 5 | 312.41100 | NUT, SELF LOCKING M10 | TUERCA AUTOBLOC. M10 | |
| 6 | 312.41120 | NUT, SELF LOCKING M12 | TUERCA AUTOBLOC. M12 | |
| 7 | 313.12082 | STUD M8 X 38 X 14 X 20 | PRISIONERO M8 X 38 X 14 X 20 | |
| 8 | 314.11084 | WASHER, FLAT 8.4 | ARANDELA PLANA 8.4 | |
| 9 | 314.14260 | WASHER, FLAT 26 | ARANDELA PLANA 26 | |
| 10 | 314.23105 | WASHER, LOCK 10.5 | ARANDELA DE RES. 10.5 | |
| 11 | 314.23130 | WASHER, LOCK 13 | ARANDELA DE RES. 13 | |
| 12 | 341.10051 | PIN, COTTER A 5 X 40 UNI 1336 | PASADOR A 5 X 40 UNI 1336 | |
| 13 | 392.21203 | TIRE FOR CAR 100 X 203 | CUBIERTA NEUMATICO 100 X 203 | |
| 14 | 394.14008 | TUBE 4.00 X 8 | CAMARA 4.00 X 8 | |
| 15 | 552.42390 | BUSHING | CASQUILLO | |
| 16 | 561.48682 | CAR TUBE | TUBO CARRO | |
| 17 | 565.48699 | SEAT SPRING | MUELLE ASIENTO | |
| 18 | 580.02052 | PIN | CLAVITA | |
| 19 | 580.48791 | PADDED SEAT | ASIENTO | |
| 20 | 590.02955 | SULKY WHEEL | RUEDA PARA CARRO TRABAJO | |
| 21 | 590.42768 | PIN | PERNO | |
| 22 | 590.48688 | AXLE | EJE | |
| 23 | 590.48697 | PIN | PERNO | |
| 24 | 922.43791 | CURVED COUPLING 725-735 | ATTAQUE CURVO 725-735 | |
| 25 | 922.47720 | CURVED COUPLING 737 | ATTAQUE CURVO 737 | |
| 26 | 922.49767 | CURVED COUPLING 745 | ATTAQUE CURVO 745 | |
| 27 | 922.49997 | TOW COUPLING 715 | ENGANCHE DE ARRASTRE 715 | |



| ID | PARTNO | DESCRIPTION | DENOMINACION | NOTES |
|-----|-----------|-----------------------|--------------------------|-------------------------|
| 1 | 311.12215 | SCREW, M10 X 60 | TORNILLO M10 X 60 | |
| 2 | 311.12216 | SCREW, M10 X 65 | TORNILLO M10 X 65 | |
| 3 | 312.11100 | NUT, M10 | TUERCA M10 | |
| 4 | 312.41100 | NUT, SELF LOCKING M10 | TUERCA AUTOBLOC. M10 | |
| 5 | 312.41120 | NUT, SELF LOCKING M12 | TUERCA AUTOBLOC. M12 | |
| 6 | 314.14260 | WASHER, FLAT | ARANDELA PLANA | |
| 7 | 314.23105 | WASHER, LOCK 10.5 | ARANDELA DE RES. 10.5 | |
| 8 | 314.23130 | WASHER, LOCK M13 | ARANDELA DE RES. M13 | |
| 9 | 341.10051 | COTTER PIN | PASADOR | |
| 10 | 392.21203 | TIRE | CUBIERTA NEUMATICO | |
| 11 | 394.14008 | TUBE 4.00 X 8 | CAMARA 4.00 X 8 | |
| 12 | 552.42390 | BUSHING | CASQUILLO | |
| 13 | 561.48682 | TUBE | TUBO CARRO | |
| 14 | 565.48699 | SEAT SPRING | MUELLE ASIENTO | |
| 15 | 580.02052 | PIN | CLAVITA | |
| 16 | 580.48791 | PADDED SEAT | ASIENTO | |
| 17 | 590.02955 | SULKY WHEEL | RUEDA PARA CARRO TRABAJO | |
| 18 | 590.48688 | AXLE | EJE | |
| 19A | 590.48697 | PIN | PERNO | 700 SERIES TRACTORS |
| 19B | 590.42768 | PIN | PERNO | 800/900 SERIES TRACTORS |
| 20A | 922.59500 | CURVED COUPLER | ATTAQUE CURVO | 700 SERIES TRACTORS |
| 20B | 922.47720 | CURVED COUPLER | ATTAQUE CURVO | 800 SERIES TRACTORS |
| 20C | 922.59512 | CURVED COUPLER | ATTAQUE CURVO | 900 SERIES TRACTORS |