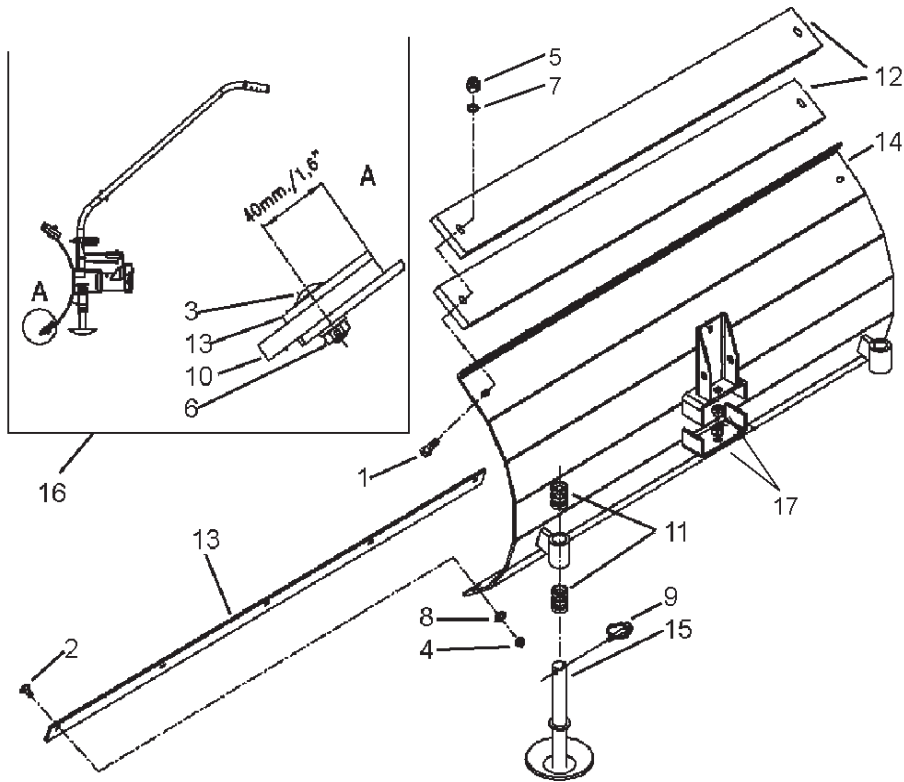
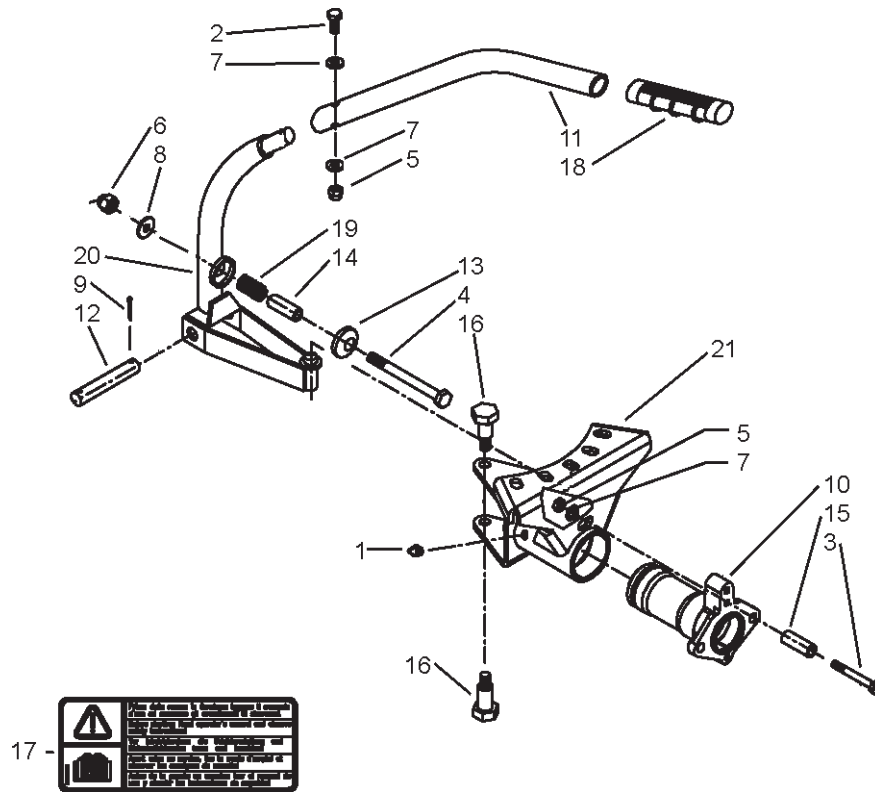




A M E R I C A



ID	PARTNO	DESCRIPTION	DENOMINACION	NOTES
1	311.12161	CAPSCREW, M8X50		
2	311.22802	SCREW		
3	311.22804	CAPSCREW, M8X30		
4	312.11080	NUT, M8		
5	312.41080	LOCKNUT, M8, STANDARD		
6	312.41084	NUT		
7	314.11084	WASHER, FLAT, M8		
8	314.21083	WASHER, SUPER, M8		
9	342.40080	PIN, RELEASE		
10	552.59807	BLADE, NON-METALIC		
11	561.59753	SPACER		
12	561.59806	WEIGHT BAR		
13	563.59805	BLADE		
14	590.59801	SNOW BLADE		
15	590.59820	SKID		
16	922.59798	SNOW BLADE NON-METAL CUTTING EDGE ATTAC. KIT		
17	312.41100	LOCKNUT		



ID	PARTNO	DESCRIPTION	DENOMINACION	NOTES
1	300.00001	GREASE ZERK, STRAIGHT		
2	311.12154	CAPSCREW, M8X40		
3	311.12156	CAPSCREW, M8X60		
4	311.12228	CAPSCREW, M10X120		
5	312.41080	LOCKNUT, M8, STANDARD		
6	312.41100	LOCKNUT, M10, STANDARD		
7	314.11084	WASHER, FLAT, M8 4X17		
8	314.11104	WASHER, FLAT, M10.5X18		
9	341.10041	PINCOTTER, M4X25		
10	512.43501	BUSHING W/FLANGE		
11	561.59716	TUBE POSITIONING		
12	561.59738	PIN LEVER ADJUSTING		
13	561.59743	CAP SPRING		
14	561.59748	SPACER SPRING		
15	561.59749	SPACER		
16	563.59744	SCREW SPECIAL M10		
17	580.28130	DECAL		
18	580.48000	GRIP		
19	580.59737	SPRING		
20	590.59709	LEVER		
21	590.59808	CONNECTION		