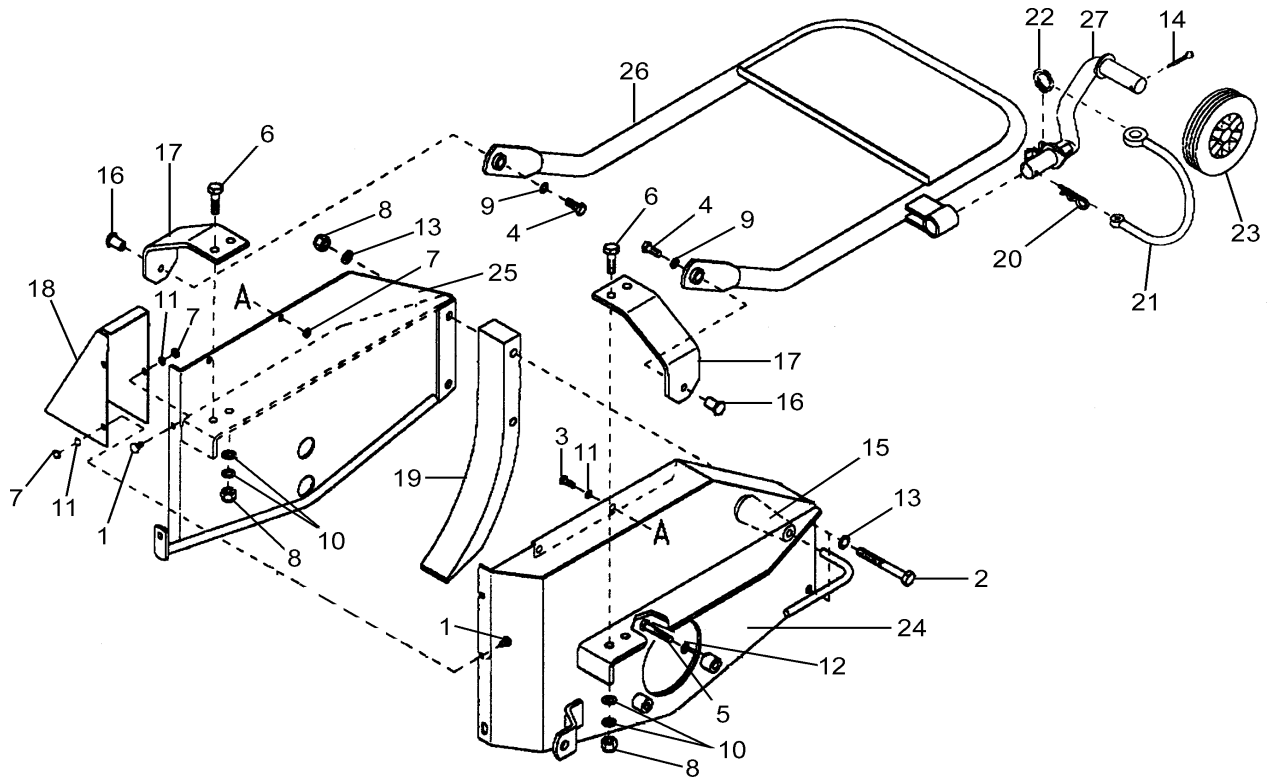




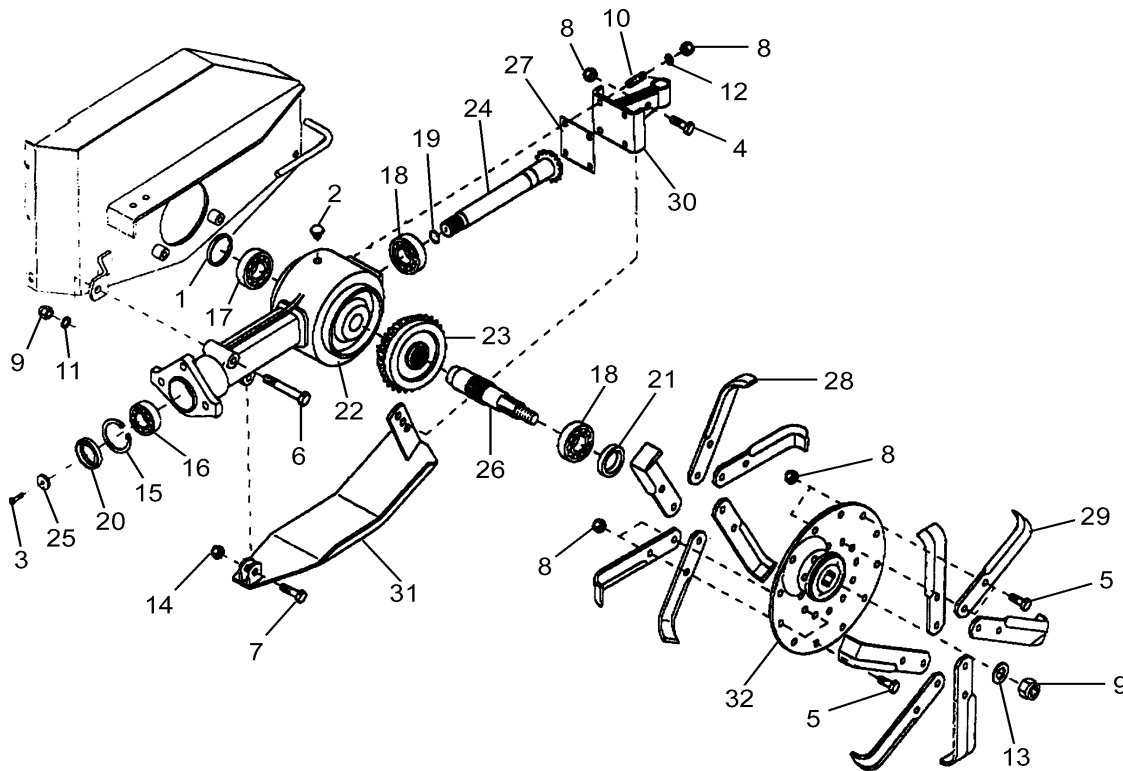
---

A M E R I C A

---



ID	PARTNO	DESCRIPTION	DENOMINACION	NOTES
1	311.00201	BOLT M6X12 AND SQUARE NUT	TORNILLO M6X15 DIN 693 ZINC.	
2	311.11224	HEX SCREW M10X85 UNI 5739 5S	TORNILLO TE M10X85 UNI 5739-5S	
3	311.12090	HEX. SCREW M6X16 UNI 5739-8G	TORNILLO TE M6X16 UNI 5739-8G	
4	311.12150	HEX. SCREW M8X20 UNI 5739-8G	TORNILLO TE M8X20 DIN 933	
5	311.12157	HEX SCREW M8X50 UNI 5739-8G	TORNILLO TE M8X50 UNI 5739-8G	
6	311.12211	HEX. SCREW M10X30 UNI 5739-8G	TORNILLO TE M10X30 UNI 5739-8G	
7	312.11060	NUT M6 UNI 5588-5S	TUERCA M6 DIN 934	
8	312.41100	LOCKNUT M 10	TUERCA AUTOBLOCANTE M10	
9	314.11084	WASHER P.8,4X17 UNI 6592	ARANDELA PLANA 8,4X17 DIN 125	
10	314.11104	FLAT WASHER10.5X18 UNI6592AC.	ARANDELA PLANA 10,5X18 DIN 433	
11	314.21064	TOP WASHER 6 DIN 6796	SUPER ARANDELA 6 DIN 6796	
12	314.21083	SUPER WASHER 8 DIN6796 GALV.	ARANDELA 8 DIN 6796 ZNT	
13	314.21101	TOP WASHER 10	SUPER ARANDELA 10 DIN 6796 ZNT	
14	341.10042	COTTER PIN 4X30	CHAVETA A 4X30 UNI 1336	
15	551.42076	KNOB	POMO	
16	561.48287	PIN	PERNO ESTRIADO	
17	561.59847	BRACKET	ESCUADRA	
18	561.59849	DEFLECTOR	DEFLECTOR	
19	563.59857	DRAG BAR	BARRA DE ARRASTRE	
20	580.02052	PIN	PASADOR	
21	580.27985	STRAP	ANILLO	
22	580.28125	LINK-ROD	TIRANTE	
23	580.42468	WHEEL	RUEDAS	
24	590.59830	SIDE PANEL LH	PANEL LATERAL IZ.	
25	590.59840	SIDE PANEL RH	PANEL LATERAL DCHA.	
26	590.59850	GUARD	PROTECTOR	
27	590.59864	SPINDLE ARM	EJE	



ID	PARTNO	DESCRIPTION	DENOMINACION	NOTES
1	300.00070	PLUG	TAPON	
2	300.40001	PLUG 1/4 GAS UNI 364	TAPÓN 1/4 GAS UNI 364	
3	311.12093	HEX SCREW M6X20 UNI 5739 8G	TORNILLO TE M6X20 UNI 5739-8G	
4	311.12211	HEX. SCREW M10X30 UNI 5739-8G	TORNILLO TE M10X30 UNI 5739-8G	
5	311.12219	HEX. SCREW M10X25 UNI 5739-8G	TORNILLO TE M10X25 DIN 933	
6	311.12293	HEX SCREW M12X80 UNI 5737 8G	TORNILLO TE M12X80 UNI 5737 8G	
7	312.12212	BOLT	TORNILLO	
8	312.41105	SELF-LOCKING NUT	TUERCA AUTOBL. M10 DEFORM.6S	
9	312.41120	SELF-LOCKING NUT M12	TUERCA AUTOBLOCANTE M12 NORMAL	
10	313.12101	STUD M10X37X19X15 8G	ESPÁRRAGO M10X37X15X19 8G	
11	314.11130	WASHER P.13X24 UNI 6592	ARANDELA PLANA 13 UNI 1733	
12	314.21101	TOP WASHER 10	SUPER ARANDELA 10 DIN 6796 ZNT	
13	314.21253	TOP WASHER 18	SUPER ARANDELA 18 DIN 6796 ZNT	
14	314.41100	LOCK NUT	TUERCA AUTOBLOCANTE	
15	351.11052	INSIDE SEEGER D 52 DIN 472	SEEGER I-52 472	
16	371.11255	BEARING SKF 25X52X15 6205	COJINETE 25X52X15 6205 C3 SKF	
17	371.11300	BEARING	COJINETE	
18	371.41301	BEARING 30X62X16	COJINETE 30X62X16 7206-B	
19	381.11800	OR 4075 18.64X3.53	JUNTA TÓRICA OR 4075 18,64X3,	
20	382.02002	OIL SEAL	RETÉN ACEITE	
21	382.13001	OIL SEAL 30X52X10 NORMAL	RETÉN ACEITE 30X52X10	
22	512.49675	CENTRE CULTIVATOR CASING	CARCARA CENTRAL FRESA	
23	524.49737	GEAR/CROWN	ENGRANAJE	
24	524.59227	SHAFT	ARBOL	
25	561.42291	WASHER 7X25X4	ARANDELA 7X25X4	
26	564.59867	SHAFT	ARBOL	
27	580.49696	COVER SEAL	JUNTA TAPA POSTERIOR FRESA	
28	580.59862	LH KNIFE	CUCHILLA IZQUIERDA	
29	580.59863	RH KNIFE	CUCHILLA DERECHA	
30	590.49697	REAR COVER	TAPA POSTERIOR FRESA.	
31	590.59843	SKID PLATE	PATIN	
32	590.59859	DISC/TINE MOUNTING	DISCO	