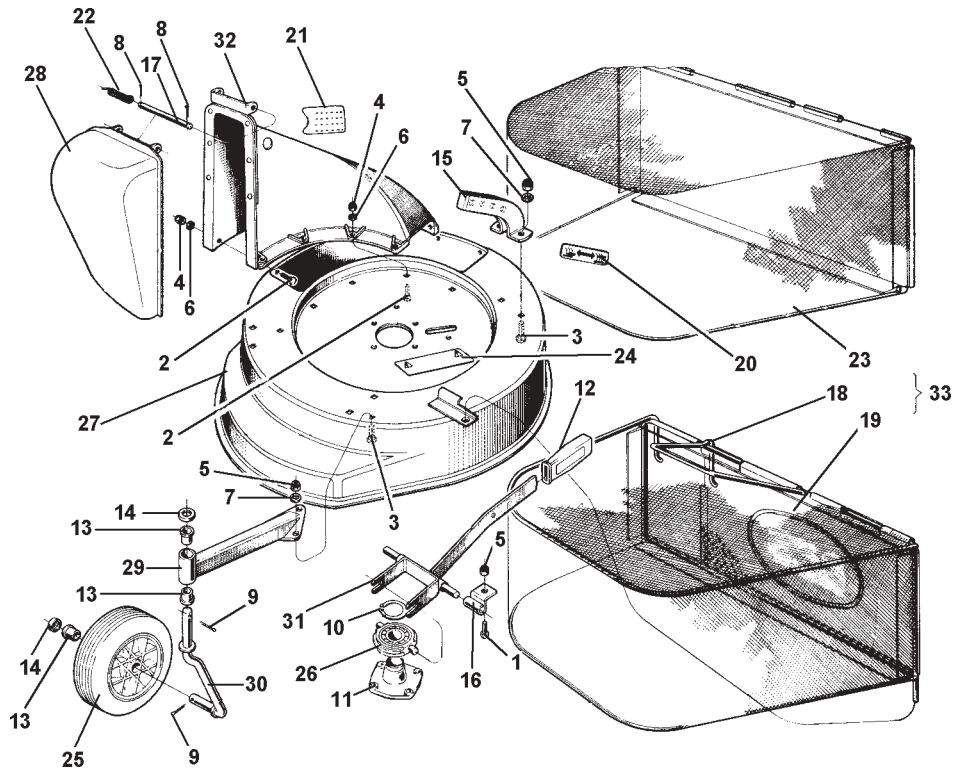
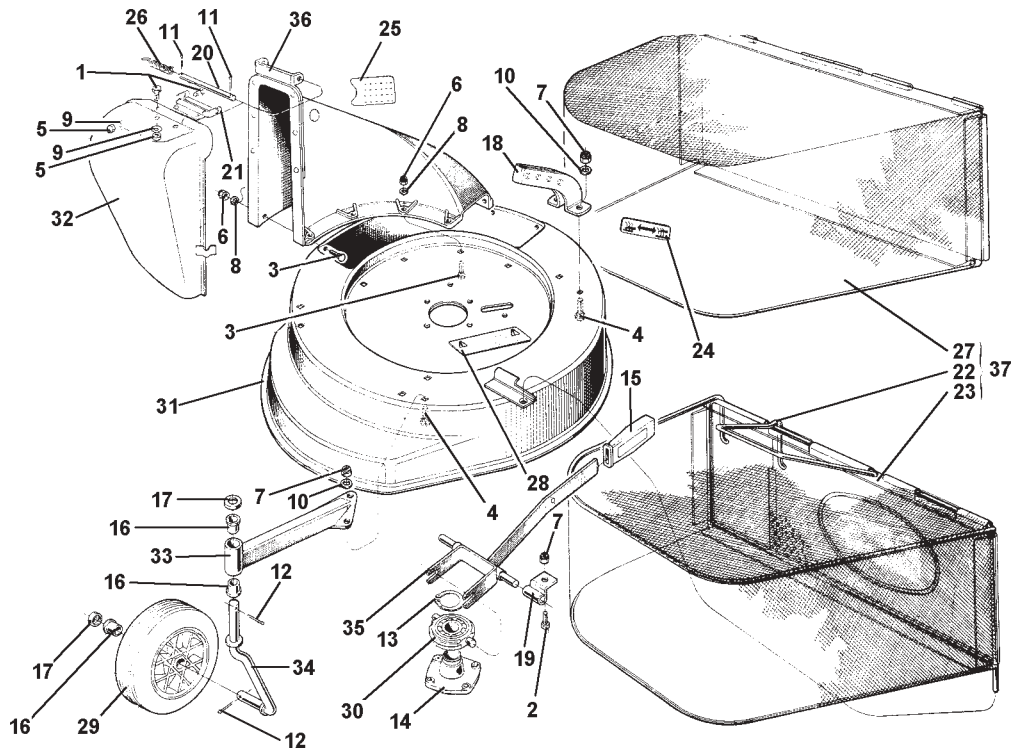




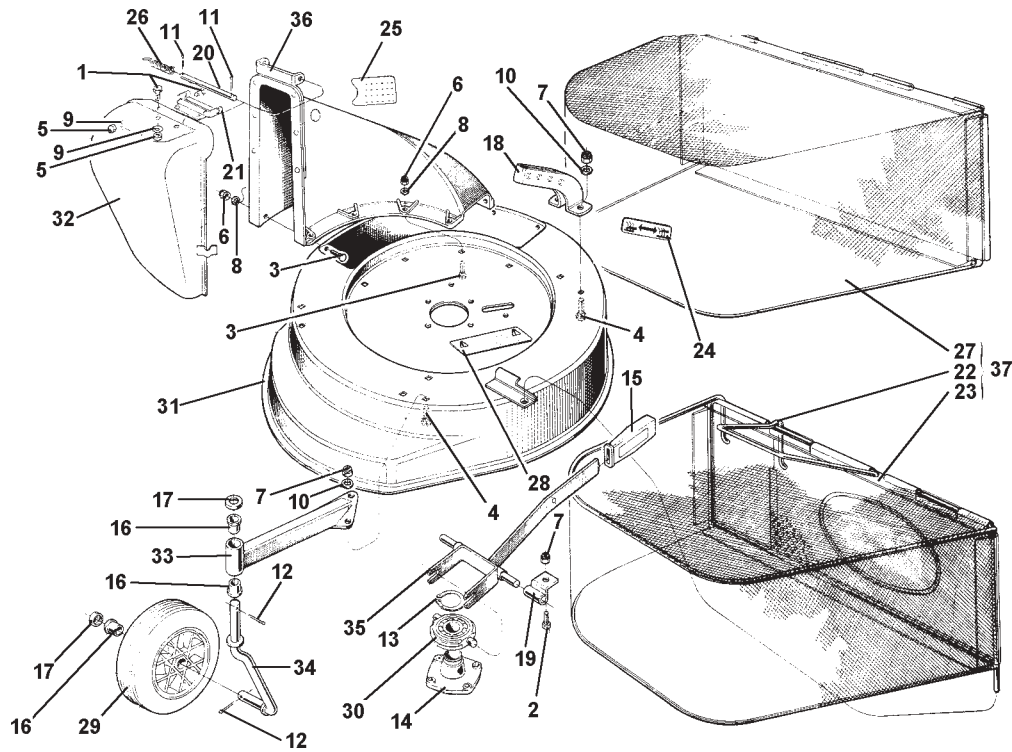
A M E R I C A



ID	PART NO	DESCRIPTION	DENOMINACION	NOTES
1	311.11151	SCREW M8 X 16	TORNILLO M8 X 16	
2	311.21560	SCREW M6 X 20	TORNILLO M6 X 20	
3	311.21801	SCREW TTQ M8 X 20 UNI 5731	TORNILLO TTQ M8 X 20 UNI 5731	
4	312.41060	NUT, SELF LOCKING M6	TUERCA AUTOBLOC. M6	
5	312.41080	NUT, SELF LOCKING M8	TUERCA AUTOBLOC. M8	
6	314.11064	WASHER, FLAT 6.4	ARANDELA PLANA 6.4	
7	314.23084	WASHER, LOCK 8.4	ARANDELA DE RES. 8.4	
8	341.10028	COTTER PIN A 3 X 15 UNI 1336 AC.	PASADOR A 3 X 15 UNI 1336 AC.	
9	341.10041	PIN, COTTER 4 X 25	PASADOR 4 X 25	
10	351.21035	EXT. CIRCLIP D 35	SEEGER EXT. D 35	
11	523.51313	BLADE HOLDER HUB	CUBA PORTA CUCHILLA	
12	551.02714	KNOB	MANILLAR	
13	552.19357	BUSH	CASQUILLO	
14	561.50559	PROTECTION	PROTECCION	
15	561.51335	CUTTING HEIGHT SELECTOR	SELECTOR ATURA DE CORTE	
16	561.51349	SUPPORT	SOPORTE	
17	561.51364	BAFFLE PIN	PERNO DEFLECTOR	
18	561.51369	FRAME	CHASIS	
19	561.51370	GRID	FILTRO	
20	580.51337	TRANSFER FOR LAWN MOWER	AUTOADHESIVO PARA CORTACESPED	
21	580.51361	TRANSFER	AUTOADHESIVO	
22	580.51365	DEFLECTOR SPRING	MUELLE DEFLECTOR	
23	580.51371	GRASS BAG	SACO COLECTOR	
24	580.51372	STICKER	AUTOADHESIVO	
25	590.50550	SMALL WHEEL	RUEDITA	
26	590.51315	COLLAR	COLARIN	
27	590.51330	LAWN MOWER CRANKCASE	CARTER CORTACESPED	
28	590.51336	DEFLECTOR	DEFLECTOR	
29	590.51343	WHEEL SUPPORT	SOPORTE RUEDA	
30	590.51346	SPINDLE	FUSO	
31	590.51350	ADJUSTING LEVER	PALANCA REGULACION	
32	590.51358	CONVEYOR	DEFLECTOR	
33	590.51368	CATCHER COMPLETE	COMPLETO SACO	

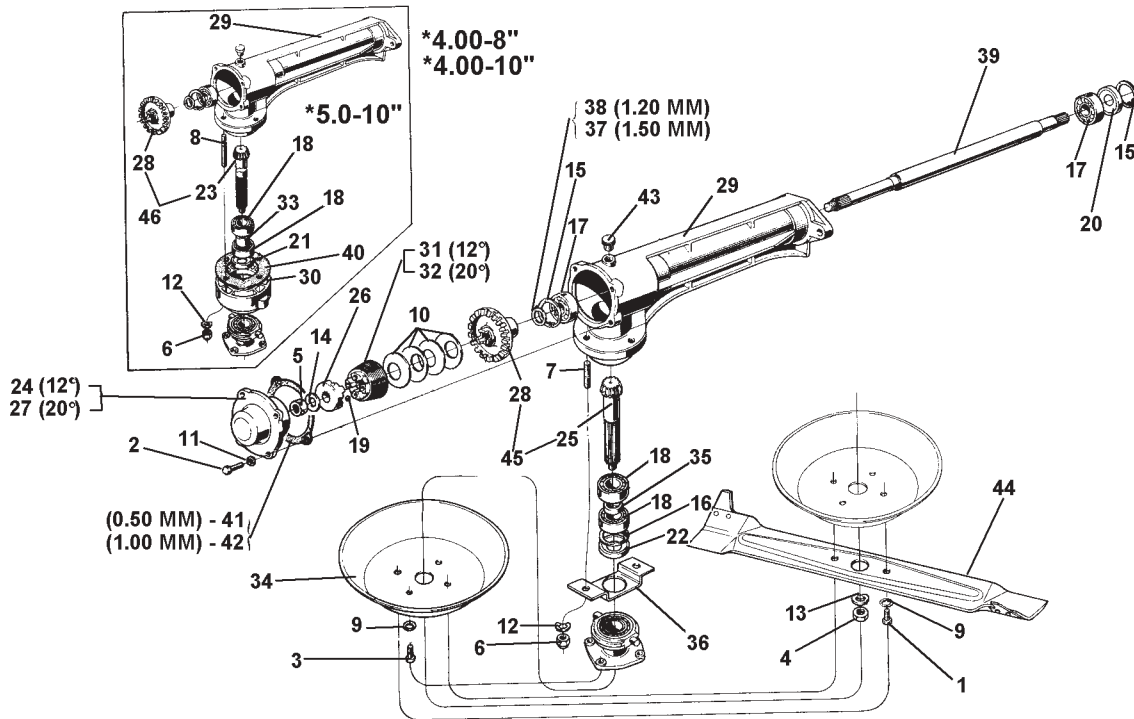


ID	PARTNO	DESCRIPTION	DENOMINACION	NOTES
1	311.11089	SCREW M5 X 10	TORNILLO M5 X 10	
2	311.11151	SCREW M8 X 16	TORNILLO M8 X 16	
3	311.21560	SCREW M6 X 20	TORNILLO M6 X 20	
4	311.21801	SCREW TTQ M8 X 20 UNI 5731	TORNILLO TTQ M8 X 20 UNI 5731	
5	312.11050	NUT M5	TUERCA M5	
6	312.41060	NUT, SELF LOCKING M6	TUERCA AUTOBLOC. M6	
7	312.41080	NUT, SELF LOCKING M8	TUERCA AUTOBLOC. M8	
8	314.11064	WASHER, FLAT 6.4	ARANDELA PLANA 6.4	
9	314.21062	SUPER WASHER	SUPER ARANDELA	
10	314.23084	WASHER, LOCK 8.4	ARANDELA DE RES. 8.4	
11	341.10028	COTTER PIN A 3 X 15 UNI 1336 AC.	PASADOR A 3 X 15 UNI 1336 AC.	
12	341.10041	PIN, COTTER 4 X 25	PASADOR 4 X 25	
13	351.21035	CIRCLIP, EXT. D 35	SEEGER EXT. D 35	
14	523.51313	BLADE HOLDER HUB	CUBO PORTO-CUCHILLO	
15	551.02714	KNOB	MANILLAR	
16	552.19357	BUSH	CASQUILLO	
17	561.50559	PROTECTION	PROTECCION	
18	561.51335	CUTTING HEIGHT SELECTOR	SELECTOR ATURA DE CORTE	
19	561.51349	SUPPORT	SOPORTE	
20	561.51364	BAFFLE PIN	PERNO DEFLECTOR	
21	561.51366	U-BOLT	PUENTE	
22	561.51369	FRAME	CHASIS	
23	561.51370	GRID	FILTRO	
24	561.51337	TRANSFER FOR LAWN MOWER	AUTOADHESIVO PARA CORTACESPED	
25	561.51361	TRANSFER	AUTOADHESIVO	
26	580.51365	DEFLECTOR SPRING	MUELLE DEFLECTOR	
27	580.51371	GRASS BAG	SACO COLECTOR	
28	580.51372	STICKER	AUTOADHESIVO	
29	590.50550	SMALL WHEEL	RUEDITA	
30	590.51315	COLLAR	COLARIN	
31	590.51330	LAWN MOWER CRANCASE	CARTER CORTACESPED	
32	590.51336	DEFLECTOR	DEFLECTOR	
33	590.51343	WHEEL SUPPORT	SOPORTE RUEDA	
34	590.51346	SPINDLE	FUSO	
35	590.51350	ADJUSTING LEVER	PALANCA REGULACCION	



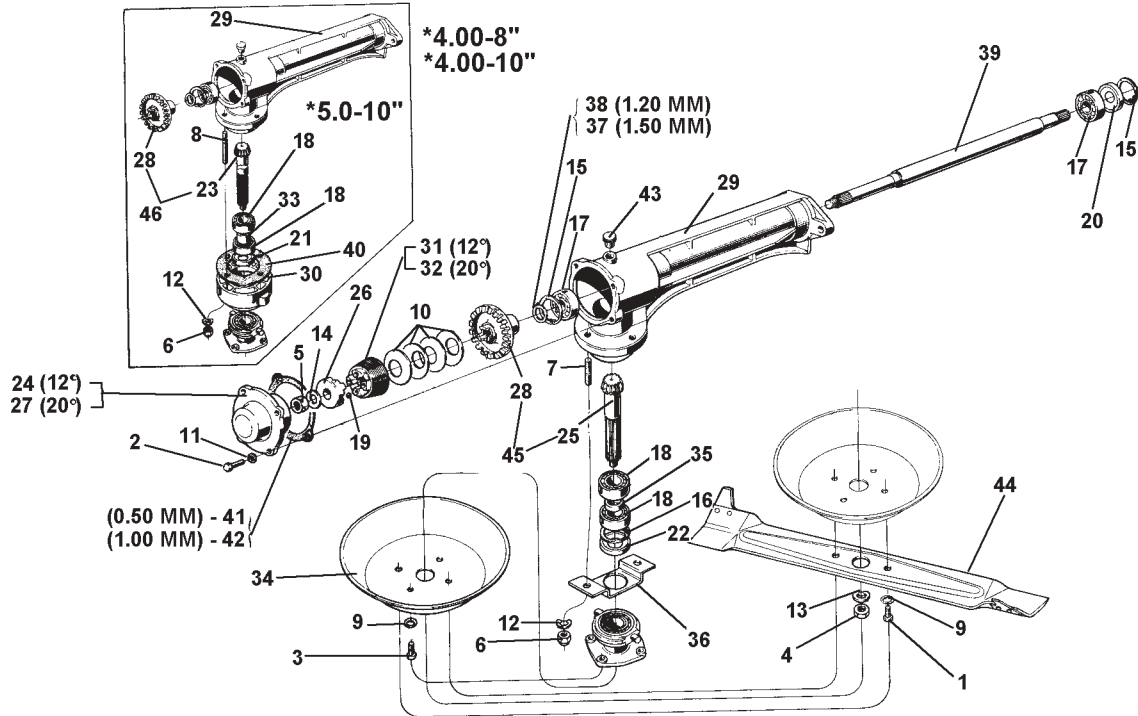
ID	PART NO	DESCRIPTION	DENOMINACION	NOTES
36	590.51358	CONVEYOR	DEFLECTOR	
37	590.51368	CATCHER COMPLETE	SACO COMPLETO	

*INDICATES TRACTOR TIRE SIZES



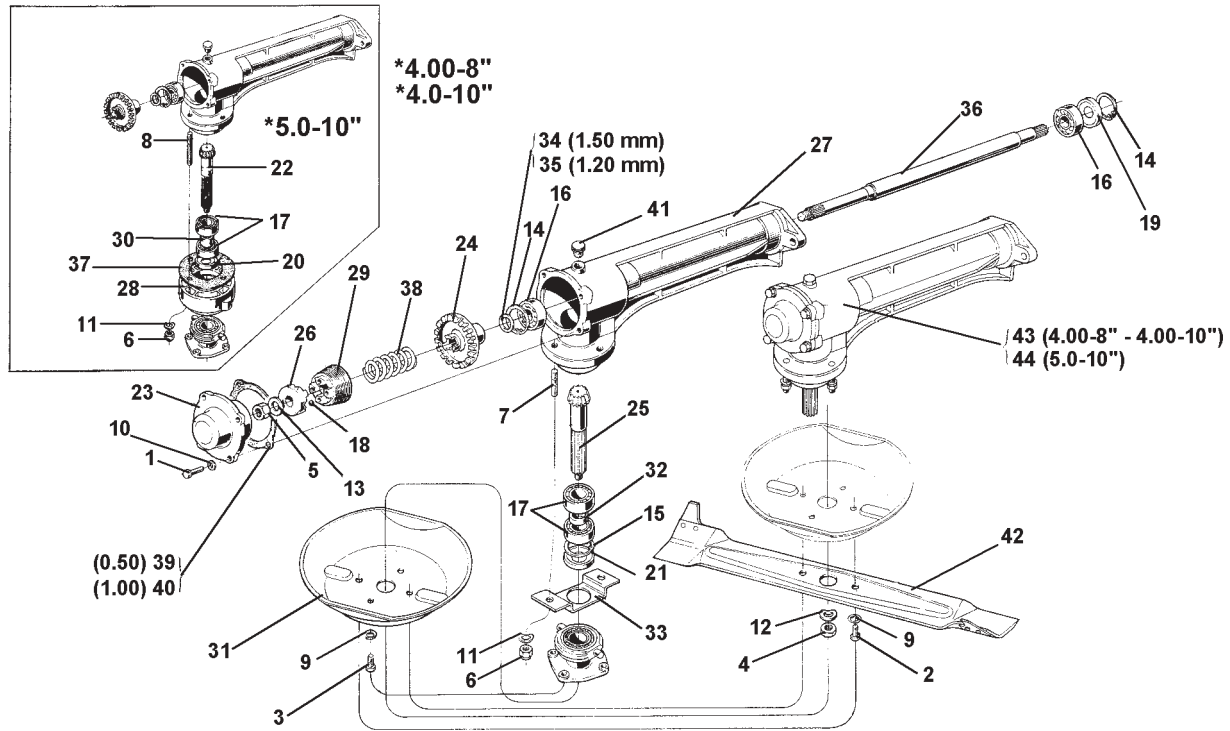
ID	PARTNO	DESCRIPTION	DENOMINACION	NOTES
1	311.11151	SCREW M8 X 16	TORNILLO M8 X 16	
2	311.12093	SCREW M6 X 20	TORNILLO M6 X 20	
3	311.12149	SCREW M8 X 12	TORNILLO M8 X 12	
4	312.31120	NUT, LOW M12	TUERCA BAJA M12	
5	312.31141	NUT M10 X 1.5	TUERCA M15 X 1.5	
6	312.41101	NUT, SELF LOCKING M10 LOW	TURECA AUTOBLOC. M10 BAJA	
7	313.12101	STUD M10 X 37 X 19 X 15 8G	PRISIONERO M10 X 37 X 19 X 15 8G	
8	313.12106	STUD M10 X 68 X 34 X 15	PRISIONERO M10 X 68 X 34 X 15	
9	314.21083	SUPER WASHER 8 DIN 6796	SUPER ARANDELA 8 DIN 6796	
10	314.21561	SPRING 56 X 28 X .5 X 1.5	MUELLE 56 X 28 X .5 X 1.5	
11	314.22064	WASHER, LOCK 6.4	ARANDELA DE RES. 6.4	
12	314.23105	WASHER, LOCK 10.5	ARANDELA DE RES. 10.5	
13	314.23130	WASHER, LOCK 13	ARANDELA DE RES. 13	
14	314.23150	WASHER, LOCK 15	ARANDELA DE RES. 15	
15	351.11047	CIRCLIP, INTERN. D 47	SEEGER INT. D 47	
16	351.11052	CIRCLIP, INTERN. D 52	SEEGER INT. D 52	
17	371.11201	BEARING 20 X 47 X 14 6204	COJINETE 20 X 47 X 14 6204	
18	371.11255	BEARING 25 X 52 X 15 6205	COJINETE 25 X 52 X 15 6205	
19	379.11032	BALL 5/16 RIV RB 7.938	BOLA 5/16 RIV RB 7.938	
20	382.12004	OIL SEAL 20 X 47 X 7	CHAPA RET. ACEITE 20X 47 X 7	
21	382.12500	OIL SEAL 25 X 40 X 7	CHAPA RET. ACEITE 25 X 40 X 7	
22	382.12502	OIL SEAL 25 X 52 X 7	CHAPA RET. ACEITE 25 X 52 X 7	
23	524.49482	BEVEL PINION	PINION CONCIO	
24	524.49487	BRAKE BELL	CAMPANA FRENO	
25	524.51305	BEVEL GEAR	PINION CONICO	
26	524.51310	BRAKE COUPLING	ACOPLAMIENTO FRENO	
27	524.51311	BRAKE BELL	CAMPANA FRENO	
28	525.49476	CONICAL GEAR	RUEDA DENTADA CONICA	
29	532.49475	LAWN MOWER CASING 715	CAJA CORTACESPED 715	
30	532.49480	SPACER FLANGE	BRIDA SEPARADOR	
31	541.49488	BRAKE CONE	CONO FRENO	
32	541.51309	BRAKE CONE	CONO FRENO	
33	561.49483	LONG SPACER	SEPARADOR LUNGO	
34	561.50753	PROTECTION DISC	DISCO DE PROTECCION	
35	561.51306	SPACER	SEPARADOR	

*INDICATES TRACTOR TIRE SIZES



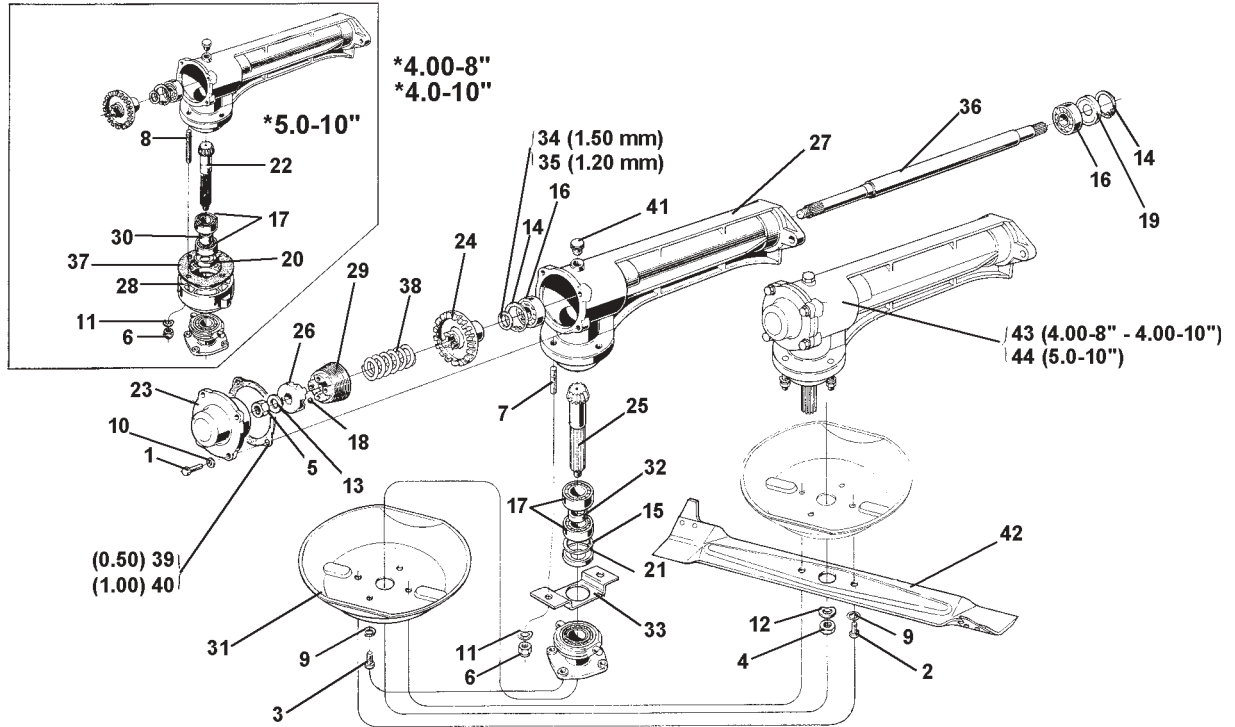
ID	PART NO	DESCRIPTION	DENOMINACION	NOTES
36	561.51334	PROTECTION	PROTECCION	43 - THIS BREATHER CAP REPLACES THE PLUG USED ON EARLIER UNITS.
37	563.51303	STOP RING	ANILLO CONTRASTE	
38	563.51314	STOP RING	ANILLO CONTRASTE	
39	564.49477	PROPELLER SHAFT	ARBOL TRANSMICION	
40	580.49481	GASKET	GUARNICION	
41	580.51320	GASKET	GUARNICION	
42	580.51321	GASKET	GUARNICION	
43	590.51045	BREATHER CAP 1/4 GAS	TAPON RESPIRACION 1/4 GAS	
44	590.51325	LAWN MOWER BLADE	PREMISTRISCA CORTACESPED	
45	593.49478	BEVEL GEAR	PAR CONICO	
46	593.49485	BEVEL GEAR	PAR CONICO	

*INDICATES TRACTOR TIRE SIZES

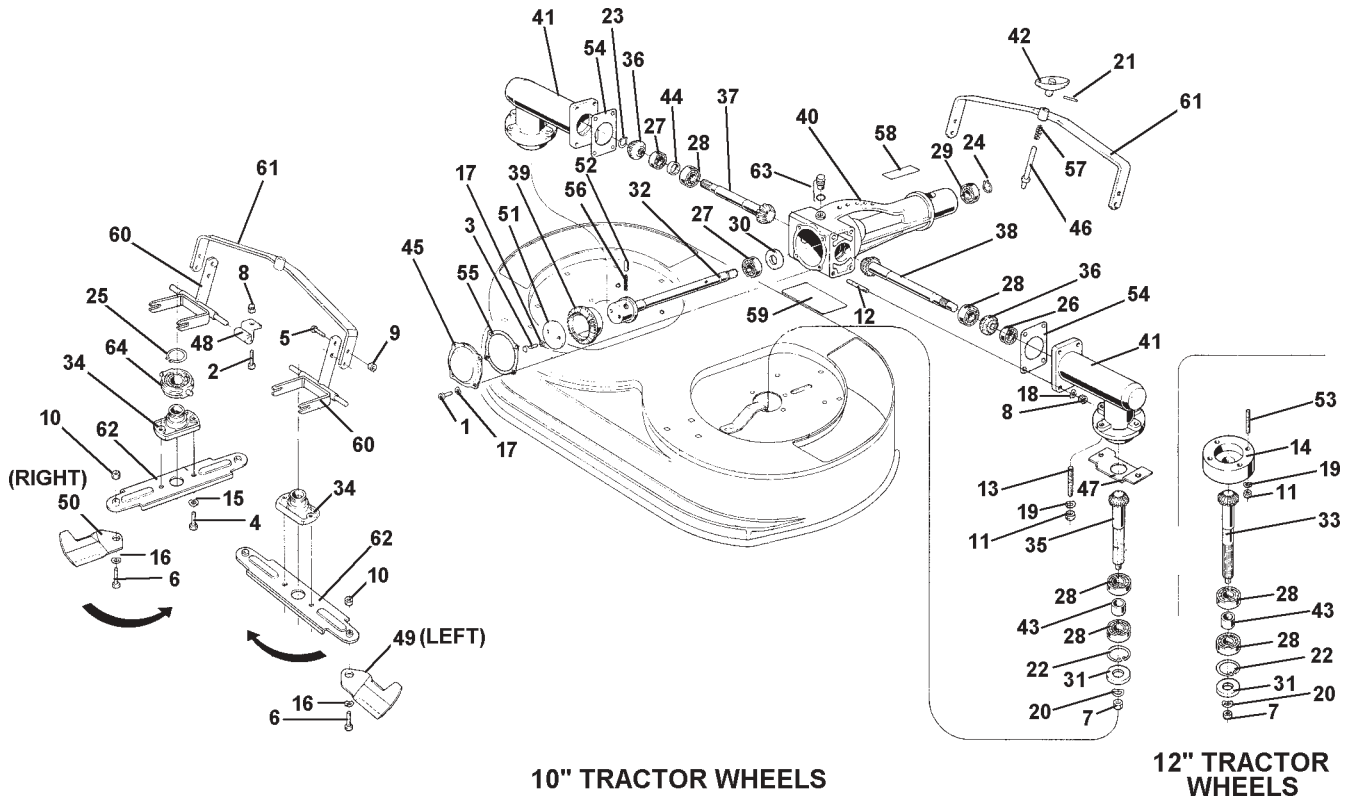


ID	PART NO	DESCRIPTION	DENOMINACION	NOTES
1	311.12093	SCREW M6 X 20	TORNILLO M6 X 20	
2	311.12148	SCREW M8 X 14	TORNILLO M8 X 14	
3	311.12149	SCREW M8 X 12	TORNILLO M8 X 12	
4	311.31120	NUT, LOW M12	TUERCA BAJA M12	
5	312.31141	NUT M14 X 1.5	TUERCA M14 X 1.5	
6	312.41101	NUT, SELF LOCKING M10 LOW	TUERCA AUTOBLOC. M10 BAJA	
7	313.12101	STUD M10 X 37 X 19 X 15 8G	PRISIONERO M10 X 37 X 19 X 15 8G	
8	313.12106	STUD M10 X 68 X 34 X 15	PRISIONERO M10 X 68 X 34 X 15	
9	314.21083	SUPER WASHER 8 DIN 6796	SUPER ARNANDELA 8 DIN 6796	
10	314.22064	WASHER, LOCK 6.4	ARANDELA DE RES. 6.4	
11	314.23105	WASHER, LOCK 10.5	ARANDELA DE RES. 10.5	
12	314.23130	WASHER, LOCK 13	ARANDELA DE RES. 13	
13	314.23150	WASHER, LOCK 15	ARANDELA DE RES. 15	
14	351.11047	CIRCLIP, INTERN. D 47	SEEGER INT. D 47	
15	351.11052	CIRCLIP, INTERN. D 52	SEEGER INT. D 52	
16	371.11201	BEARING 20 X 47 X 14 6204	COJINETE 20 X 47 X 14 5204	
17	371.11255	BEARING 25 X 52 X 15 6205	COJINETE 25 X 52 X 15 6205	
18	379.11032	BALL 5/16 RIV RB 7.938	BOLA 5/16 RIV RB 7.938	
19	382.12004	OIL SEAL 20 X 47 X 7	CHAPA RET. ACEITE 20 X 47 X 7	
20	382.12500	OIL SEAL 25 X 40 X 7	CHAPA RET. ACEITE 25 X 40 X 7	
21	382.12502	OIL SEAL 25 X 52 X 7	CHAPA RET. ACEITE 25 X 52 X 7	
22	524.49482	BEVEL PINION	PINION CONICO	
23	524.49487	BRAKE BELL	CAMPANA FRENO	
24	524.49491	CONICAL GEAR	RUEDA DENTADA CONICA	
25	524.51305	BEVEL GEAR	PINION CONICO	
26	524.51310	BRAKE COUPLING	ACOPLAMIENTO FRENO	
27	532.49475	LAWN MOWER CASING 715	CAJA CORTACESPED 715	
28	532.49480	SPACER FLANGE	BRIDA SEPARADOR	
29	541.49492	BRAKE CONE	CONO FRENO	
30	561.49483	LONG SPACER	SEPARADOR LUNGO	
31	561.50753	PROTECTION DISC	DISCO DE PROTECCION	
32	561.51306	SPACER	SEPARADOR	
33	561.51334	PROTECTION	PROTECCION	
34	563.51303	STOP RING	ANILLO CONTRASTE	
35	563.51314	STOP RING	ANILLO CONTRASTE	

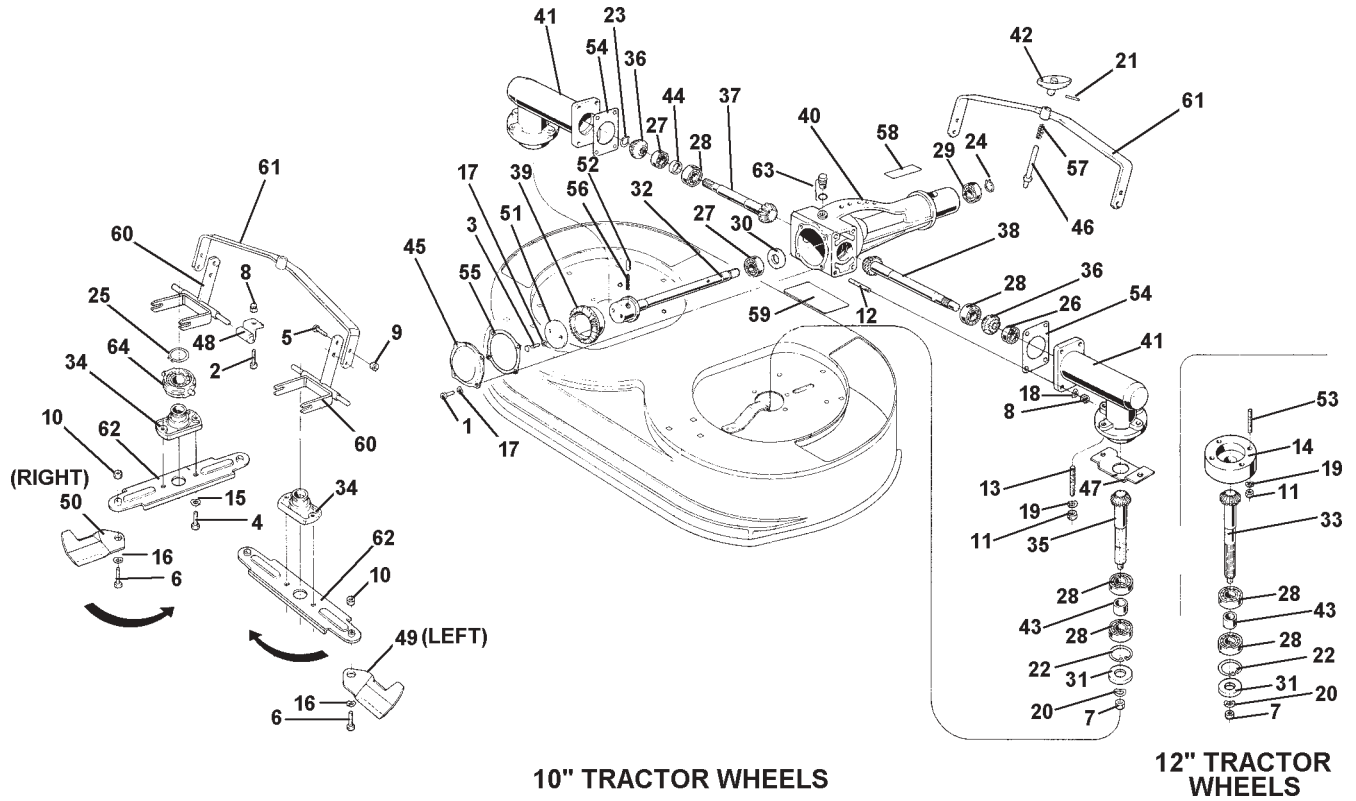
*INDICATES TRACTOR TIRE SIZES



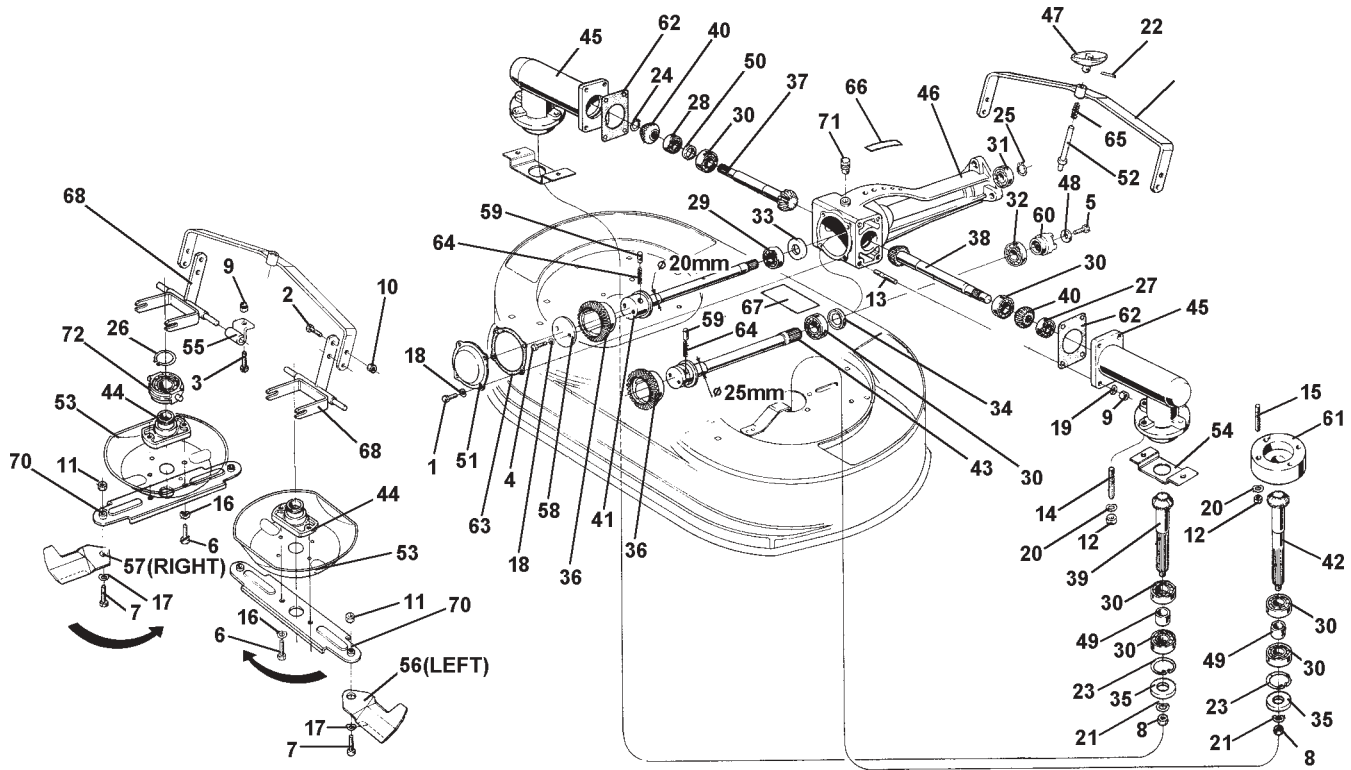
ID	PART NO	DESCRIPTION	DENOMINACION	NOTES
36	564.49477	PROPELLER SHAFT	ARBOL TRANSMICION	
37	580.49481	GASKET	GUARNICION	
38	580.49490	BRAKE SPRING	MUELLE FRENO	
39	580.51320	GASKET	GUARNICION	
40	580.51321	GASKET	GUARNICION	
41	590.51045	BREATHER CAP 1/4 GAS	TAPON RESPIRACION 1/4 GAS	
42	590.51325	LAWN MOWER BLADE	PREMISTRISCIA CORTACESPED	
43	592.49494	GEAR ASSEMBLY	ENGRANAJE ENSAMBLAJE	
44	592.49495	GEAR ASSEMBLY	ENGRANAJE ENSAMBLAJE	



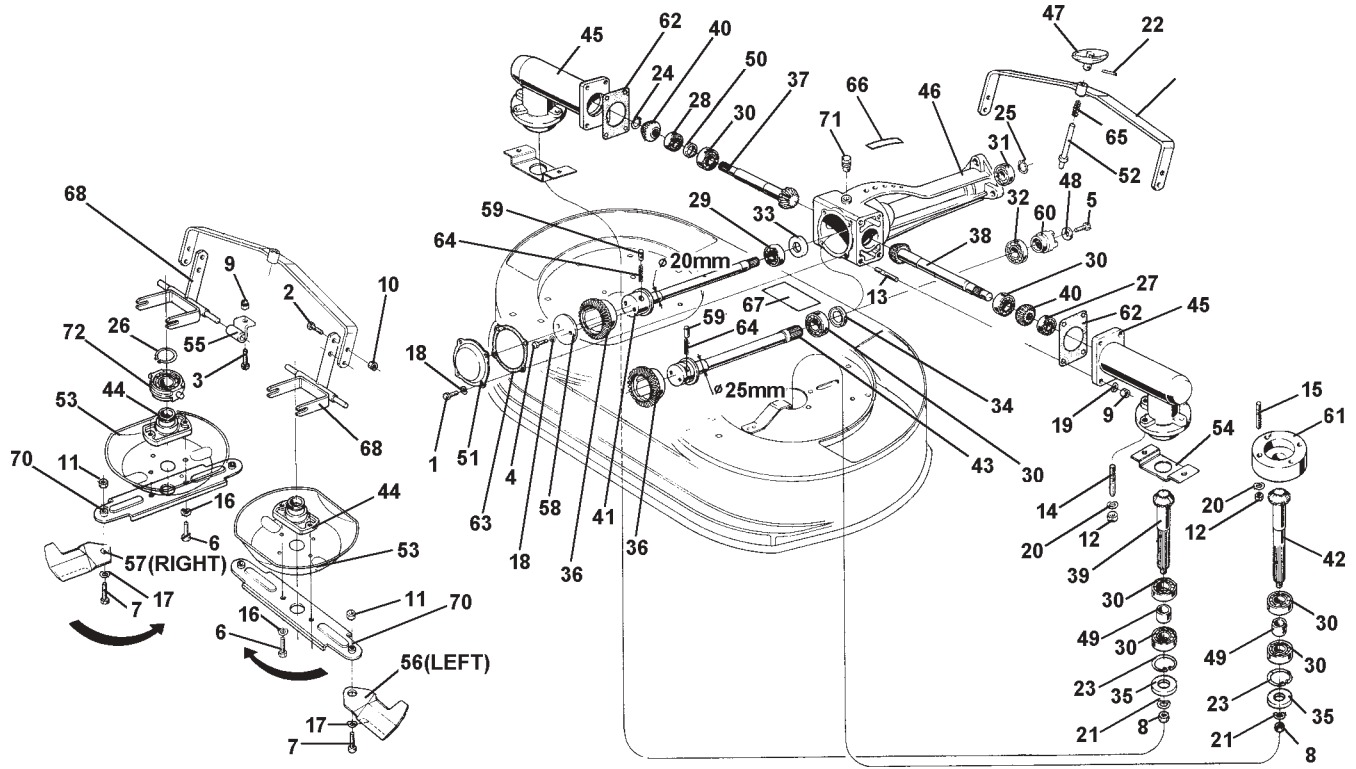
ID	PARTNO	DESCRIPTION	DENOMINACION	NOTES
1	311.11091	SCREW TE M6 X 14	TORNILLO TE M6 X 14	
2	311.11151	SCREW M8 X 16	TORNILLO M8 X 16	
3	311.12082	SCREW M6 X 12	TORNILLO M6 X 12	
4	311.12148	SCREW M8 X 14	TORNILLO M8 X 14	
5	311.12150	SCREW M8 X 20	TORNILLO M8 X 20	
6	311.12211	SCREW M10 X 30	TORNILLO M10 X 30	
7	312.31120	NUT,LOW M12	TUERCA BAJA M12	
8	312.41080	NUT, SELF LOCKING M8	TUERCA AUTOBLOC. M8	
9	312.41084	NUT	TUERCA	
10	312.41100	NUT, SELF LOCKING M10	TUERCA AUTOBLOC. M10	
11	312.41101	NUT, SELF LOCKING M10 LOW	TUERCA AUTOBLOC. M10 BAJA	
12	313.12088	STUD M8 X 40 X 14 X 14	PRISIONERO M8 X 40 X 14 X 14	
13	313.12101	STUD M10 X 37 X 19 X 15 8G	PRISIONERO M10 X 37 X 19 X 15 8G	
14	313.12106	STUD M10 X 68 X 34 X 15	PRISIONERO M10 X 68 X 45 X 15	
15	314.21083	SUPER WASHER 8 DIN 6796	SUPER ARANDELA 8 DIN 6796	
16	314.21101	SUPER WASHER 10 DIN 6796	SUPER ARANDELA 10 DIN 6796	
17	314.22064	WASHER, LOCK 6.4	ARANDELA DE RES. 6.4	
18	314.23084	WASHER, LOCK 8.4	ARANDELA DE RES. 8.4	
19	314.23105	WASHER, LOCK 10.5	ARANDELA DE RES. 10.5	
20	314.23130	WASHER, LOCK 13	ARANDELA DE RES. 13	
21	342.13020	LOCKING PIN 4 X 20 SPIRAL	ESPINA DE RES. 4 X 20 ESPIRAL	
22	351.11052	CIRCLIP, INTERN D 52	SEEGER INT. D 52	
23	351.21019	OUTSIDE CIRCLIP	SEEGER EXTERIOR	
24	351.21020	CIRCLIP EXTERN. D 20	SEEGER EXT. D 20	
25	351.21035	EXT. CIRCLIP D 35	SEEGER EXT. D 35	
26	371.11170	BEARING 17 X 40 X 12 6203	COJINETE 17 X 40 X 12 6203	
27	371.11201	BEARING 20 X 47 X 14 6204	COJINETE 20 X 47 X 14 6204	
28	371.11250	BEARING 25 X 52 X 15 6205	COJINETE 25 X 52 X 15 6205	
29	371.12200	BEARING 20 X 47 X 14 6204 2RS ST	COJINETE 20 X 47 X 14 6204 2RS	
30	382.12003	SEAL, OIL 20 X 42 X 7 STANDARD	CHAPA RET. AC. 20 X 42 X 7 NORM.	
31	382.12502	OIL SEAL 25 X 52 X 7	CHAPA RET. ACEITE 25 X 52 X 7	
32	524.47311	PROPELLER SHAFT	ARBOL DE TRANSMICION	
33	524.47346	BEVEL PINION	PINION CONICO	
34	524.47363	BLADE HOLDER HUB	CUBO PORTRA LAMA	
35	524.47375	BEVEL PINION	PINION CONICO	



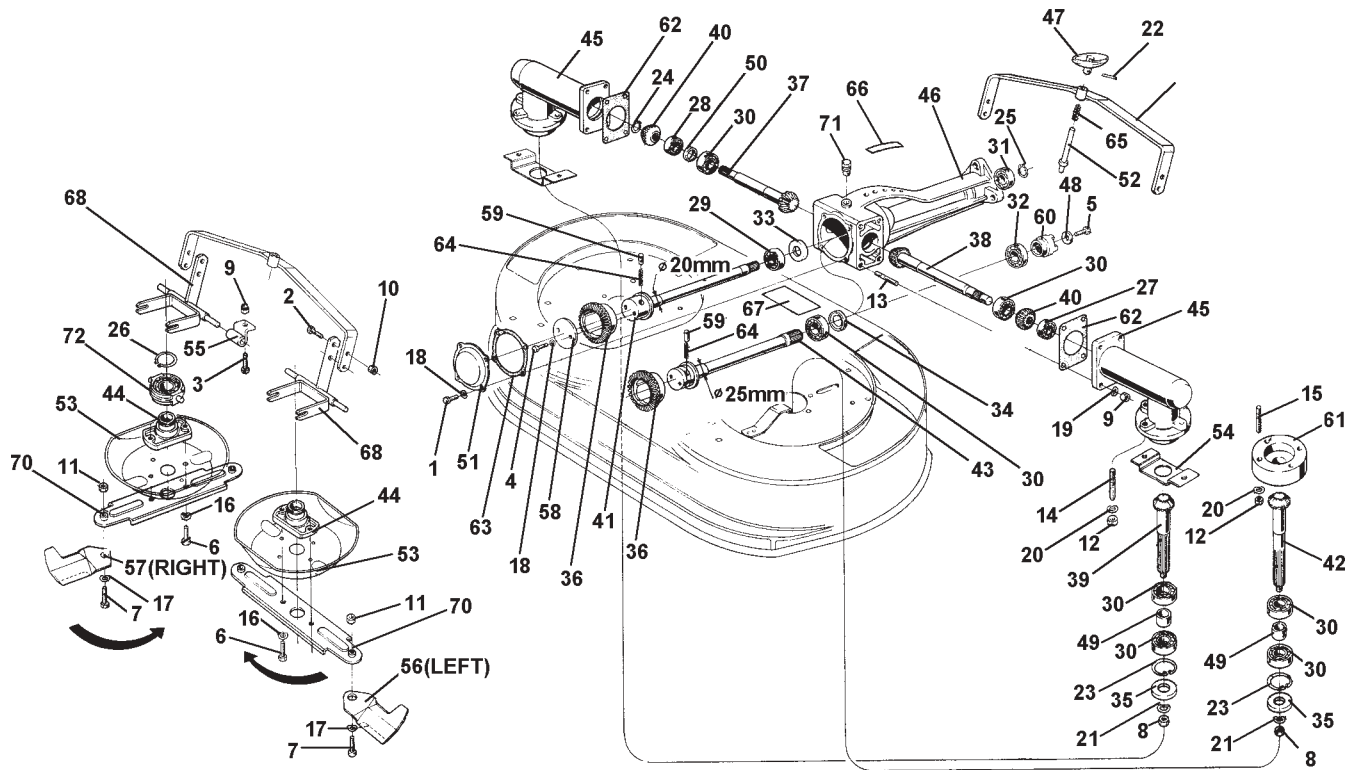
ID	PART NO	DESCRIPTION	DENOMINACION	NOTES
36	524.47376	BEVEL GEAR	ENGRANAJE CONICO	
37	524.47394	R.H. SHAFT	ARBOL DERECHO	
38	524.47395	L.H. SHAFT	ARBOL IZQUIERDO	
39	524.47396	RING BEVEL GEAR	CORONA CONICA	
40	532.47304	CENTRAL BODY OF 2 BLADES L.M.	CUERPO CENTRAL CORTAC. 2 CUCH.	
41	532.47305	SIDE BODY OF 2 BL. LAWN MOWER	CUERPO LATERAL CORTAC. 2 CUCH.	
42	552.49665	KNOB	MANILLA	
43	561.43660	SPACER 25 X 30 X 24	SEPARADOR 25 X 30 X 24	
44	561.47312	STOP RING	ANILLO CONTRASTE	
45	561.47319	CAP	CASQUETE	
46	561.47336	SELECTOR PIN	PERNO SELECTOR	
47	561.51334	PROTECTION	PROTECCION	
48	561.51349	SUPPORT	SOPORTE	
49	563.47367	L.H. BLADE	CUCHILLA IZQUIERDA	
50	563.47368	R.H. BLADE	CUCHILLA DERECHA	
51	563.48584	DISC, GEAR LOCKING	DISCO BLOCAJE CORONA	
52	564.43655	CAP	PUNTAL	
53	572.47345	CRANKCASE SPACER	SEPARADOR CARTER	
54	580.47321	SIDE GASKET	GUARNICION LATERAL	
55	580.47322	GASKET	GUARNICION	
56	580.48021	STOP LEVER SPRING	MUELLE PALANCA STOP	
57	580.49830	FERRULE SPRING	MUELLE PUNTAL	
58	580.51337	TRANSFER FOR LAWN MOWER	AUTOADHESIVO PARA CORTACESPED	
59	580.51372	STICKER	AUTOADHESIVO	
60	580.47329	ADJUSTING LEVER	PALANCA DE REGULACION	
61	590.47333	CROSSPIECE	TRAVESANO	
62	590.47364	BLADE HOLDER	PORTA-CUCHILLAS	
63	590.51045	BREATHER CAP 1/4 GAS	TAPON RESPIRACION 1/4 GAS	
64	590.51315	COLLAR	COLARIN	



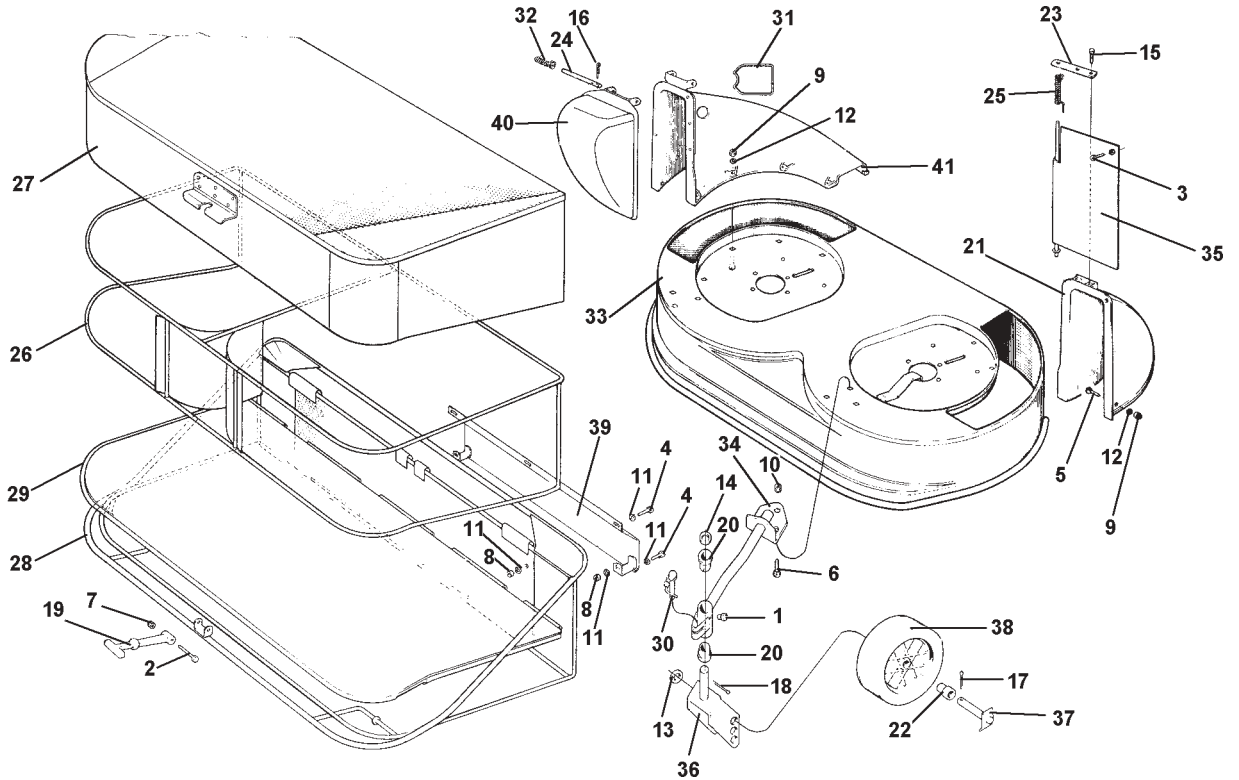
ID	PART NO	DESCRIPTION	DENOMINACION	NOTES
1	311.11091	SCREW TE M6 X 14	TORNILLO TE M6 X 14	
2	311.11150	SCREW TE M8 X 12	TORNILLO TE M8 X 12	
3	311.11151	SCREW M8 X 16	TORNILLO M8 X 16	
4	311.12082	SCREW M6 X 12	TORNILLO M6 X 12	
5	311.12093	SCREW M6 X 20	TORNILLO M6 X 20	
6	311.12148	SCREW M8 X 14	TORNILLO M8 X 14	
7	311.12211	SCREW M10 X 30	TORNILLO M10 X 30	
8	312.31120	NUT, LOW M12	TURCA BAJA M12	
9	312.41080	NUT, SELF LOCKING M8	TUERCA AUTOBLOC. M8	
10	312.41084	NUT	TUERCA	
11	312.41100	NUT, SELF LOCKING M10	TUERCA AUTOBLOC. M10	
12	312.41101	NUT, SELF LOCKING M10 LOW	TUERCA AUTOBLOC. M10 BAJA	
13	313.12088	STUD M8 X 40 X 14 X 14	PRISIONERO M8 X 40 X 14 X 14	
14	313.12101	STUD M10 X 37 X 19 X 15 8G	PRISIONERO M10 X 37 X 19 X 15 8G	
15	313.12106	STUD M10 X 68 X 34 X 15	PRISIONERO M10 X 68 X 34 X 15	
16	314.21083	SUPER WASHER 8 DIN 6796	SUPER ARANDELA 8 DIN 6796	
17	314.21101	SUPER WASHER 10 DIN 6796	SUPER ARANDELA 10 DIN 6796	
18	314.22064	WASHER, LOCK 6.4	ARANDELA DE RES. 6.4	
19	314.23084	WASHER, LOCK 8.4	ARANDELA DE RES. 8.4	
20	314.23105	WASHER, LOCK 10.4	ARANDELA DE RES. 10.4	
21	314.23130	WASHER, LOCK 13	ARANDELA DE RES. 13	
22	342.13020	LOCKING PIN 4 X 20 SPIRAL	ESPINA DE RES. 4 X 20 ESPIRAL	
23	351.11052	CIRCLIP, INTERN D 52	SEEGER INT. D 52	
24	351.21019	OUTSIDE CIRCLIP	SEEGER EXTERIOR	
25	351.21020	CIRCLIP EXTERN. D 20	SEEGER EXT. D 20	
26	351.21035	EXT. CIRCLIP D 35	SEEGER EXT. D 35	
27	371.11170	BEARING 17 X 40 X 12 6203	COJINETE 17 X 40 X 12 6203	
28	371.11201	BEARING 20 X 47 X 14 6204	COJINETE 20 X 47 X 14 6204	
29	371.11202	BEARING 20 X 52 X 15 6304	COJINETE 20 X 52 X 15 6304	
30	371.11255	BEARING 25 X 52 X 15 6205	COJINETE 25 X 52 X 15 6205	
31	371.12200	BEARING 20 X 47 X 14 6204 2RS ST	COJINETE 20 X 47 X 14 6204 2RS ST	
32	371.12252	BEARING 25 X 47 X 12 ST 2RS 6005	COJINETE 60052RS ST	
33	382.12202	OIL SEAL	CHAPA RET. ACEITE	
34	382.12500	OIL SEAL 25 X 40 X 7	CHAPA RET. ACEITE 25 X 40 X 7	
35	382.12502	OIL SEAL 25 X 52 X 7	CHAPA RET. ACEITE 25 X 52 X 7	



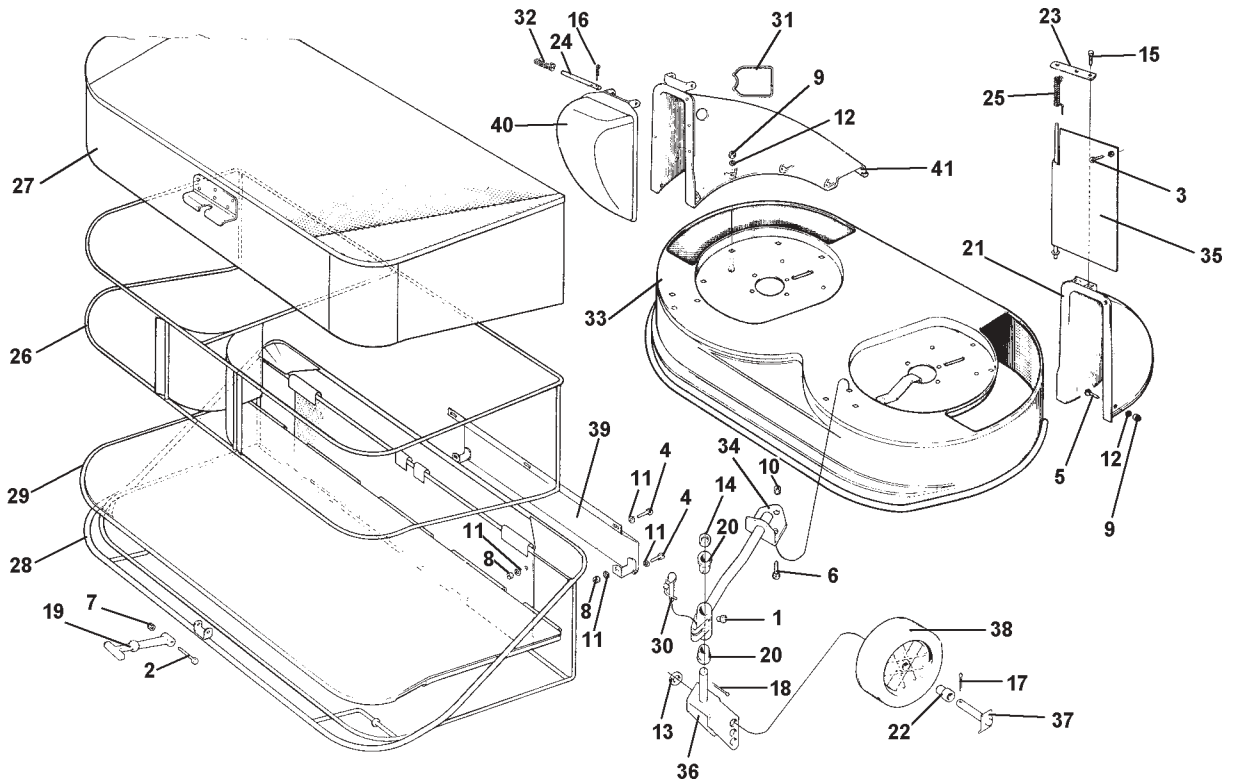
ID	PART NO	DESCRIPTION	DENOMINACION	NOTES
36	524.47295	BEVEL GEAR	CORONA CONICA	
37	524.47296	RIGHT SHAFT	ARBOL DERECHO	
38	524.47297	LEFT SHAFT	ARBOL IZQUIERDO	
39	524.47298	ROLL CASING	ESTUCHE	
40	524.47299	BEVEL GEAR	ENGRANAJE CONICO	
41	524.47311	PROPELLER SHAFT	ARBOL DE TRANSMICION	
42	524.47314	BEEL PINION	PINION CONICO	
43	524.47315	PROPELLER SHAFT	ARBOL DE TRANSMICION	
44	524.47363	BLADE HOLDER HUB	CUBO PORTA LAMA	
45	532.47305	SIDE BODY OF 2 BLADE LAWN MOWER	CUERPO LATERAL CORTA. 2 CUCHILLA	
46	532.47306	LAWN MOWER CENTRAL BODY	CUERPO CENTRAL CORTACESPED	
47	552.49665	KNOB	MANILLA	
48	561.42291	WASHER 7 X 25 X 4	ARANDELA 7 X 25 X 4	
49	561.43660	SPACER 25 X 30 X 24	SEPARADOR 25 X 30 X 24	
50	561.47312	STOP RING	ANILLO CONTRASTE	
51	561.47319	CAP	CASQUETE	
52	561.47336	SELECTOR PIN	PERNO SELECTOR	
53	561.50753	PROTECTION DISC	DISCO DE PROTECCION	
54	561.51334	PROTECTION	PROTECCION	
55	561.51349	SUPPORT	SOPORTE	
56	563.47367	L.H. BLADE	CUCHILLA IZQUIERDA	
57	563.47368	R.H. BLADE	CUCHILLA DERECHA	
58	563.48584	DISC, GEAR LOCKING	DISCO BLOCAJE CORONA	
59	564.43655	CAP	PUNTAL	
60	563.48398	3-TOOTH COUPLING	ACOPLAMIENTO A 3 DIENTES	
61	572.47345	CRANKCASE SPACER	SEPARADOR CARTER	
62	580.47321	SIDE GASKET	GUARNICION LATERAL	
63	580.47322	GASKET	GUARNICION	
64	580.48021	STOP LEVER SPRING	MUELLE PALANCA STOP	
65	580.49830	FERRULE SPRING	MUELLE PUNTAL	
66	580.51337	TANSFER FOR LAWN MOWER	AUTOADHESIVO PARA CORTACESPED	
67	580.51372	STICKER	AUTOADHESIVO	
68	590.47329	ADJUSTING LEVER	PALANCA DE REGULACION	
69	590.47333	CROSSPIECE	TRAVESANO	
70	590.47364	BLADE HOLDER	PORTA-CUCHILLAS	



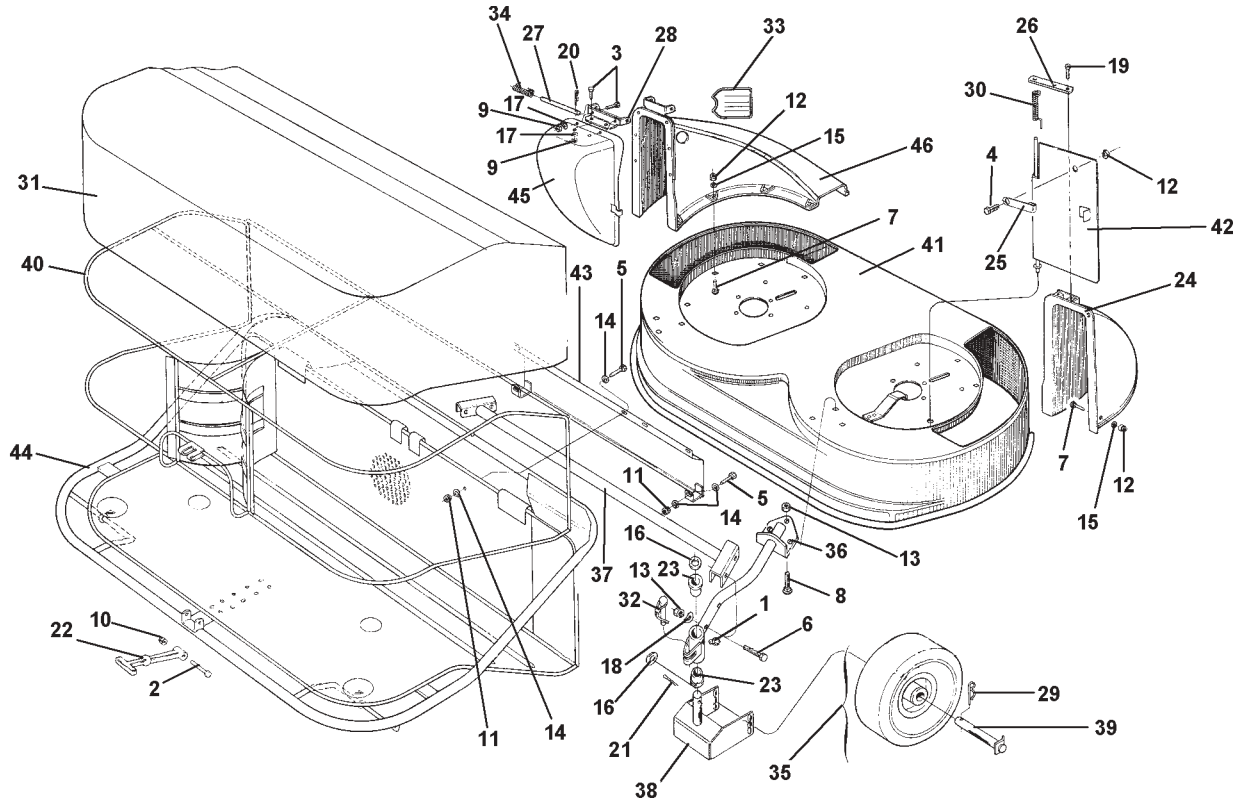
ID	PARTNO	DESCRIPTION	DENOMINACION	NOTES
71	590.51045	BREATHER CAP 1/4 GAS	TAPON RESPIRACION 1/4 GAS	
72	590.51315	COLLAR	COLARIN	



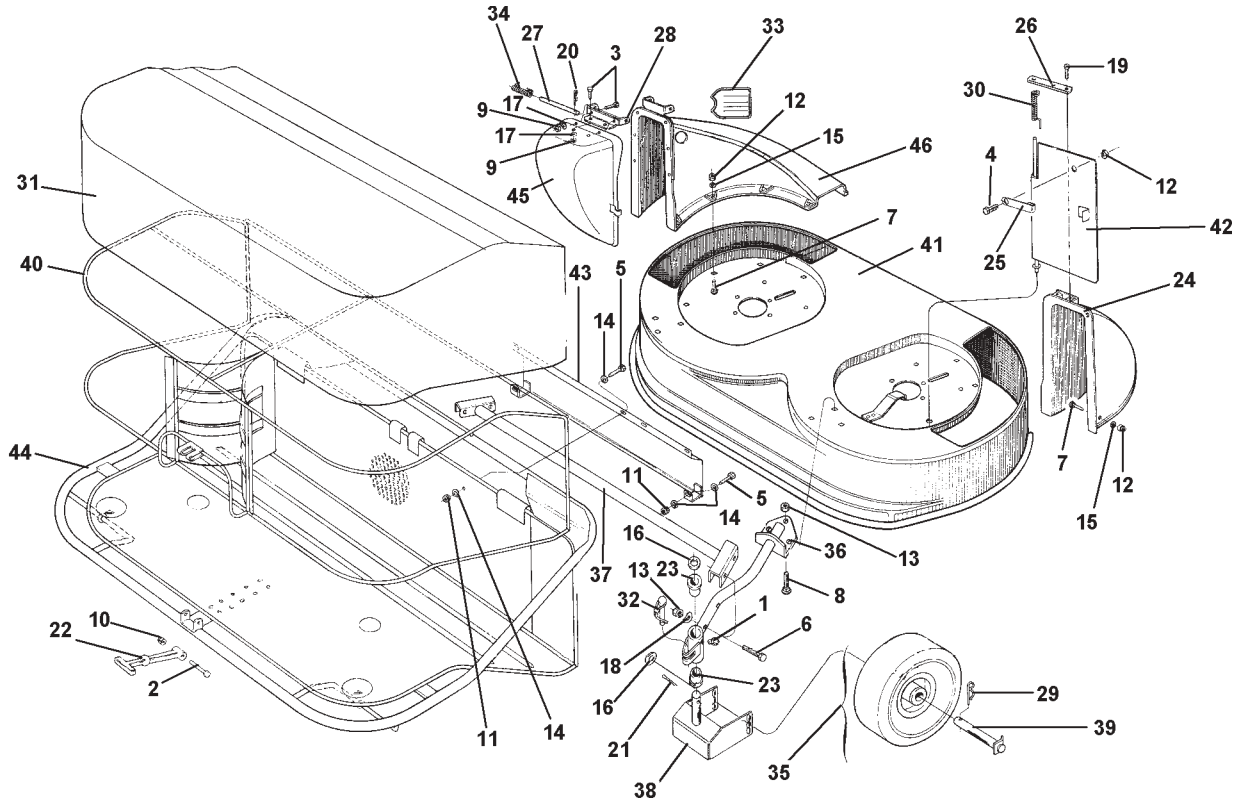
ID	PARTNO	DESCRIPTION	DENOMINACION	NOTES
1	300.00001	LUBRICATOR M10	ENGRASADOR M10	
2	311.11087	SCREW TE M4 X 35	TORNILLO TE M4 X 35	
3	311.11091	SCREW TE M6 X 14	TORNILLO TE M6 X 14	
4	311.12050	SCREW M5 X 16	TORNILLO M5 X 16	
5	311.21560	SCREW M6 X 20	TORNILLO M6 X 20	
6	311.21801	SCREW TTQ M8 X 20 UNI 5731	TORNILLO TTQ M8 X 20 UNI 5731	
7	312.41040	NUT	TUERCA	
8	312.41050	NUT, SELF LOCKING M5 STAND.	TUERCA AUTOBLOC. M5 NORMAL	
9	312.41060	NUT, SELF LOCKING M6	TUERCA AUTOBLOC. M6	
10	312.41080	NUT, SELF LOCKING M8	TUERCA AUTOBLOC. M8	
11	314.11053	WASHER, FLAT 5.3	ARANDELA PLANA 5.3	
12	314.11064	WASHER, FLAT 6.4	ARANDELA PLANA 6.4	
13	314.11170	WASHER, FLAT 17 UNI 1733	ARANDELA PLANA 17 UNI 1733	
14	314.12210	WASHER, FLAT 21 UNI 1736	ARANDELA PLANA 21 UNI 1736	
15	315.10100	SCREW 6.3 X 19	TORNILLO 6.3 X 19	
16	341.10028	COTTER PIN A 3 X 15 UNI 1336 AC.	PASADOR A 3 X 15 UNI 1336 AC.	
17	341.10041	PIN, COTTER 4 X 25	PASADOR 4 X 25	
18	341.10042	PIN, COTTER A 4 X 30 UNI 1336	PASADOR A 4 X 30 UNI 1336	
19	551.42758	HANDLE RUBBER	MANIJA GOMA	
20	552.43904	BUSHING	CASQUILLO	
21	552.47348	L.H. CONVEYOR	DEFLECTOR IZQUIERDO	
22	552.47373	SMALL WHEEL BUSH	CASQUILLO PARA RUEDITA	
23	561.47354	BRACKET	ESTRIBO	
24	561.51364	BAFFLE PIN	PERNO DEFLECTOR	
25	580.47353	SPRING	MUELLE	
26	580.47380	BAG FRAME	CHASIS CANASTILLO	
27	580.47381	BAG	CANASTILLO	
28	580.47382	BAG BOTTOM FRAME	CHASIS FONDO CANASTILLO	
29	580.47383	BAG BOTTOM	FONDO CANASTILLO	
30	580.50512	SAFETY PIN	ESPIÑA DE SEGURIDAD	
31	580.51361	TRANSFER	AUTOADHESIVO	
32	580.51365	DEFLECTOR SPRING	MUELLE DEFLECTOR	
33	590.47301	LAWN MOWER CRANKCASE	CARTER CORTACESPED	
34	590.47339	SMALL WHEEL SUPPORT	SOPORTE RUEDITA	
35	590.47350	L.H. FLAP	DEFLECTOR IZQUIERDO	



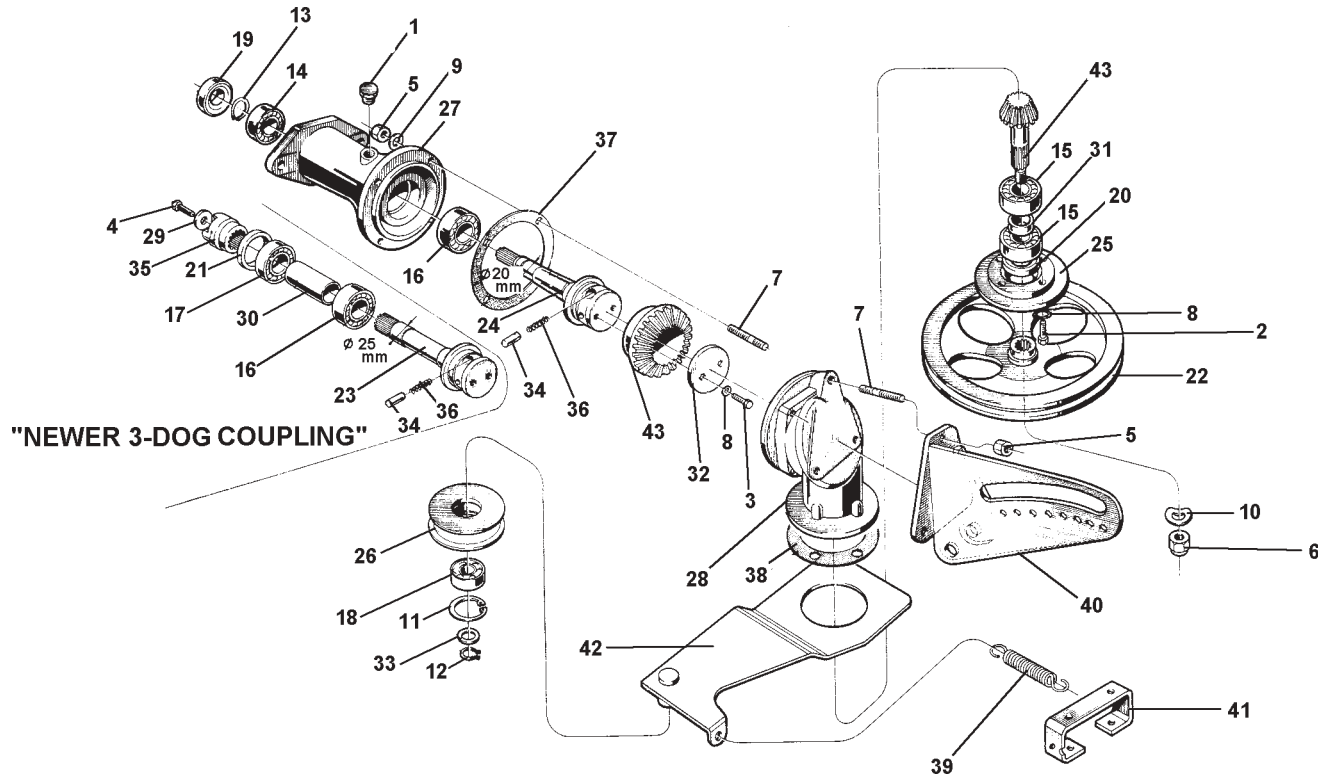
ID	PARTNO	DESCRIPTION	DENOMINACION	NOTES
36	590.47357	FORK	HORQUILLA	
37	590.47370	SMALL WHEEL PIN	PERNO RUEDITA	
38	590.47377	SMALL WHEEL	RUEDITA	
39	590.47386	REAR PROTECTION	PROTECCION POSTERIOR	
40	590.51336	DEFLECTOR	DEFLECTOR	
41	590.51358	CONVEYOR	DEFLECTOR	



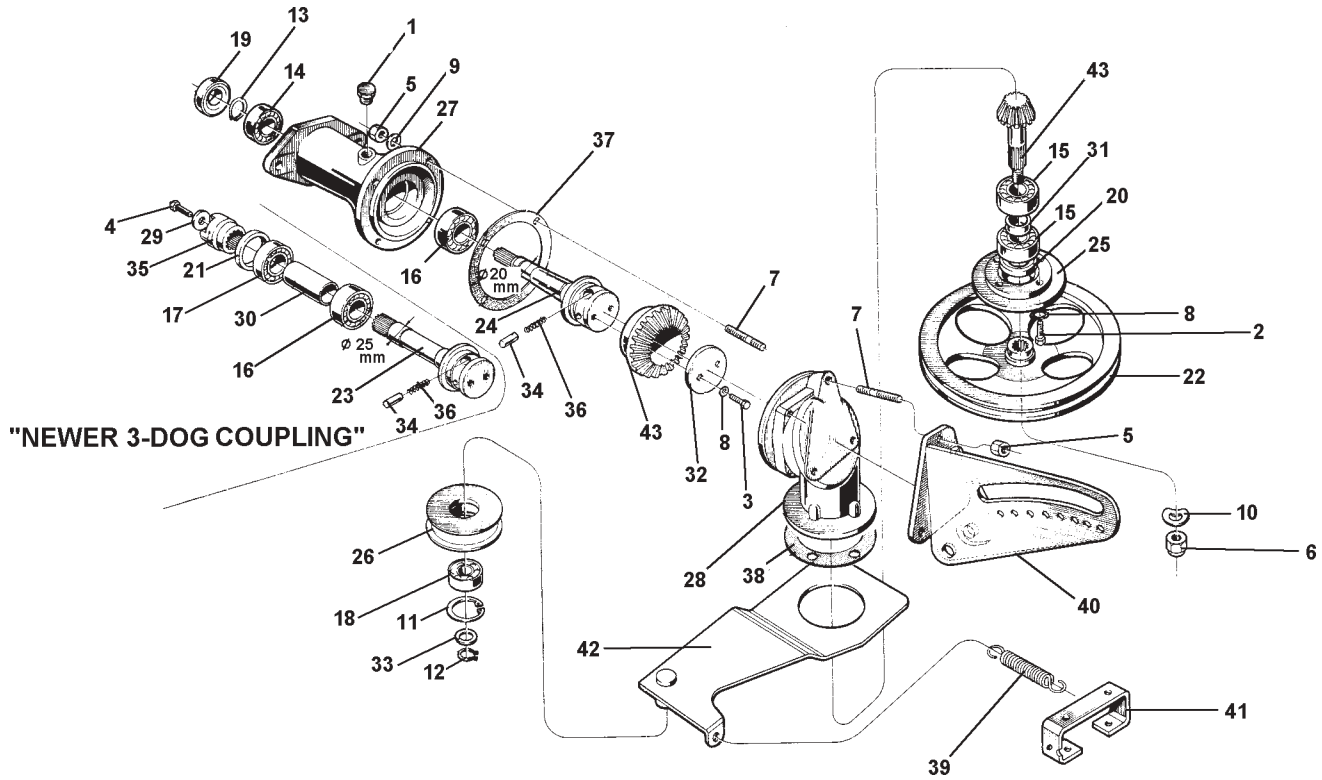
ID	PARTNO	DESCRIPTION	DENOMINACION	NOTES
1	300.00001	LUBRICATOR M10	ENGRASADOR M10	
2	311.11088	SCREW TE M4 X 40	TORNILLO TE M4 X 40	
3	311.11089	SCREW M5 X 10	TORNILLO M5 X 10	
4	311.11091	SCREW TE M6 X 14	TORNILLO TE M6 X 14	
5	311.12050	SCREW M5 X 16	TORNILLO M5 X 16	
6	311.12155	SCREW TE M8 X 45 UNI 5739-8G	TORNILLO TE M8 X 45 UNI 5739-8G	
7	311.21560	SCREW M6 X 20	TORNILLO M6 X 20	
8	311.21801	SCREW TTQ M8 X 20 UNI 5731	TORNILLO TTQ M8 X 20 UNI 5731	
9	312.11050	NUT M8	TUERCA M5	
10	312.41040	NUT	TUERCA	
11	312.41050	NUT, SELF LOCKING M5 STAND.	TUERCA AUTOBLOC. M5 NORMAL	
12	312.41060	NUT, SELF LOCKING M6	TUERCA AUTOBLOC. M6	
13	312.41080	NUT, SELF LOCKING M8	TUERCA AUTOBLOC. M8	
14	314.11053	WASHER, FLAT 5.3	ARANDELA PLANA 5.3	
15	314.11064	WASHER, FLAT 6.4	ARANDELA PLANA 6.4	
16	314.12210	WASHER, FLAT 21 UNI 1736	ARANDELA PLANA 21 UNI 1736	
17	314.21062	SUPER WASHER	SUPER ARANDELA	
18	314.23084	WASHER, LOCK 8.4	ARANDELA DE RES. 8.4	
19	315.10100	SCREW 6.3 X 19	TORNILLO 6.3 X 19	
20	341.10028	COTTER PIN A 3 X 15 UNI 1336 AC.	PASADOR A 3 X 15 UNI 1336 AC.	
21	341.10042	PIN, COTTER A 4 X 30 UNI 1336	PASADOR A 4 X 30 UNI 1336	
22	551.42758	HANDLE RUBBER	MANIJA GOMA	
23	552.43904	BUSHING	CASQUILLO	
24	552.47348	L.H. CONVEYOR	DEFLECTOR IZQUIERDO	
25	561.47199	FLAP DOG	BLOCAJE DEFLECTOR	
26	561.47354	BRACKET	ESTRIBO	
27	561.51364	BAFFLE PIN	PERNO DEFLECTOR	
28	561.51366	U-BOLT	PUENTE	
29	580.02052	PIN	CLAVITA	
30	580.47353	SPRING	MUELLE	
31	580.47391	GRASS CATCHER BAG	SACO PARA RECOGIDOR	
32	580.50512	SAFETY PIN	ESPINA DE SEGURIDAD	
33	580.51361	TRANSFER	AUTOADHESIVO	
34	580.51365	DEFLECTOR SPRING	MUELLE DEFLECTOR	
35	581.47379	WHEEL 3.00 - 4	RUEDA COMPLETA 3.00 - 4	



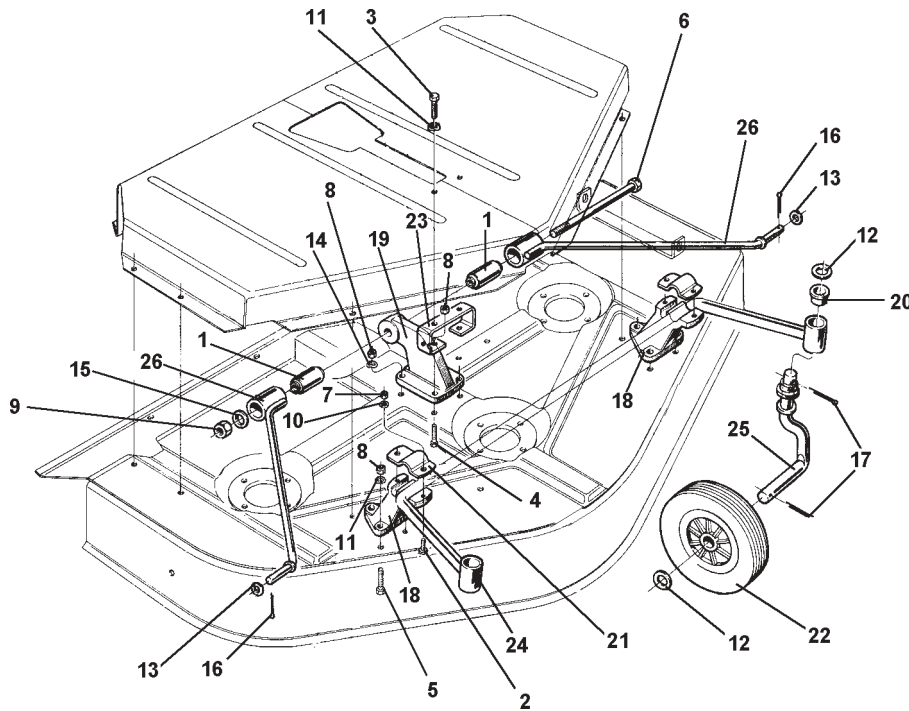
ID	PART NO	DESCRIPTION	DENOMINACION	NOTES
36	590.47175	LONG SUPPORT	SOPORTE-LARGO	
37	590.47177	TIEROD	TIRANTE	
38	590.47180	WIDE FORK	HORQUILLA ANCHA	
39	590.47183	LONG PIN	PERNO LARGO	
40	590.47189	BAG FRAME	CHASIS CANASTILLO	
41	590.47301	LAWN MOWER CRANKCASE	CARTER CORTACESPED	
42	590.47350	L.H. FLAP	DEFLECTOR IZQUIERDO	
43	590.47386	REAR PROTECTION	PROTECCION POSTERIOR	
44	590.47404	BAG FRAME BOTTOM	FONDO CHASIS CANASTILLO	
45	590.51336	DEFLECTOR	DEFLECTOR	
46	590.51358	CONVEYOR	DEFLECTOR	



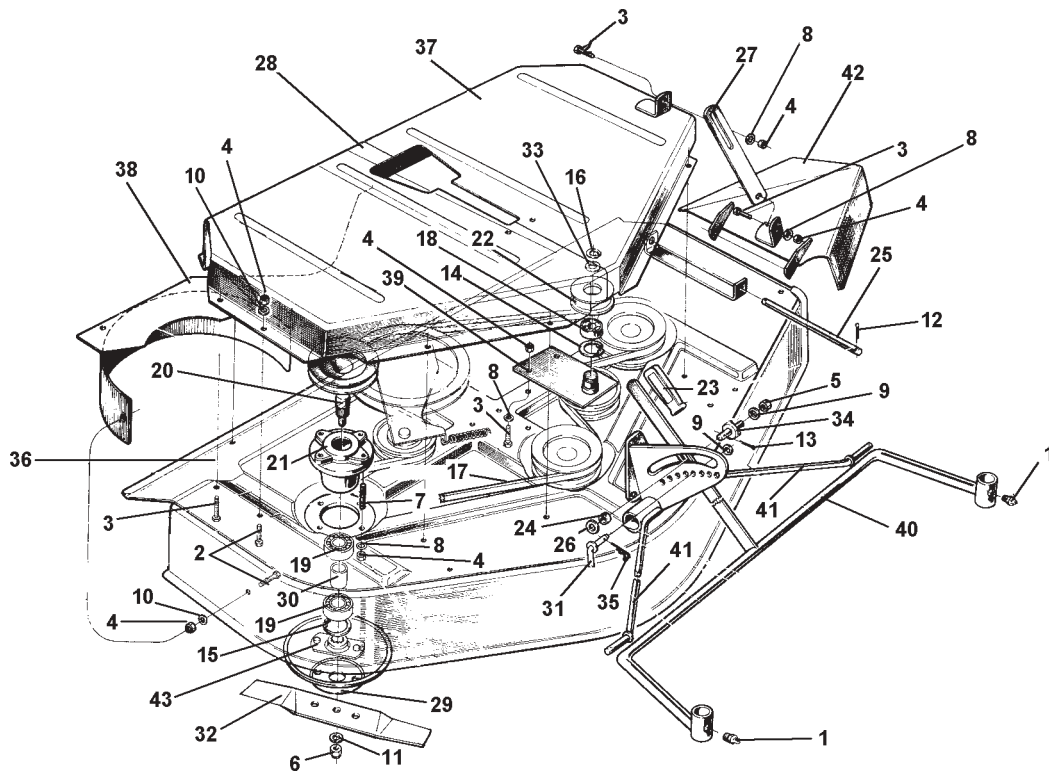
ID	PART NO	DESCRIPTION	DENOMINACION	NOTES
1	300.40001	PLUG 1/4 GAS	TAPON 1/4 GAS	
2	311.11093	SCREW M6 X 25	TORNILLO M6 X 25	
3	311.12082	SCREW M6 X 12	TORNILLO M6 X 12	
4	311.12093	SCREW M6 X 20	TORNILLO M6 X 20	
5	312.41080	NUT, SELF LOCKING M8	TUERCA AUTOBLOC. M8	
6	312.41121	NUT, SELF LOCKING M12 LOW	TUERCA AUTOBLOC. M12 BAJA	
7	313.12082	STUD M8 X 38 X 14 X 20	PRISIONERO M8 X 38 X 14 X 20	
8	314.22064	WASHER, LOCK 6.4	ARANDELA DE RES. 6.4	
9	314.23084	WASHER, LOCK 8.4	ARANDELA DE RES. 8.4	
10	314.23130	WASHER, LOCK 13	ARANDELA DE RES. 13	
11	351.11040	CIRCLIP	SEEGER	
12	351.21017	CIRCLIP, EXTERN. D 17	SEEGER EXT. D 17	
13	351.21020	CIRCLIP EXTERN. D 20	SEEGER EXT. D 20	
14	371.11201	BEARING 20 X 47 X 14 6204	COJINETE 20 X 47 X 14 6204	
15	371.11202	BEARING 20 X 52 X 15 6304	COJINETE 20 X 52 X 15 6304	
16	371.11255	BERING 25 X 52 X 15 6205	COJINETE 25 X 52 X 15 6205	
17	371.11253	BEARING 24 X 47 X 12	COJINETE 25 X 47 X 12 6005	
18	371.12170	BEARING 17 X 40 X 12 6203 2RS	COJINETE 17 X 40 X 12 6203 2RS	
19	382.12005	SEAL, OIL 20 X 47 X 10 STANDARD	CHAPA RET. AC. 20 X 47 X 10 NORM.	
20	382.13201	SEAL, OIL 32 X 42 X 7 STANDARD	CHAPA RET. AC. 32 X 42 X 7 NORM.	
21	382.13500	SEAL OIL 35 X 47 X 7 STANDARD	CHAPA RET. AC. 35 X 47 X 7 NORM.	
22	511.48572	PULLEY, DRIVING	POLEA MOTRIZ	
23	524.48397	GEAR SHAFT	ARBOL PARA CORONA	
24	524.48582	SHAFT FOR GEAR	ARBOL PARA CORONA	
25	531.48569	COVER, LOWER	TAPITA INFERIOR	
26	532.48603	GUIDE PULLEY	POLEA	
27	533.48567	FLANGE, LAWN MOWER	BRIDA CORTA-HIERBA	
28	533.48568	CASING, 3 BLADES LAWN MOWER	CUERPO CORTA-HIERBA A 3 CUCHILLAS	
29	561.42291	WASHER 7 X 25 X 4	ARANDELA 7 X 25 X 4	
30	561.48399	SPACER 25 X 30 X 55	SEPARADOR 25 X 30 X 55	
31	561.48583	SPACER	SEPARADOR	
32	563.48584	DISC, GEAR LOCKING	DISCO BLOCAJE CORONA	
33	563.48597	WASHER	ARANDELA	
34	564.43655	CAP	PUNTAL	
35	564.48398	3-TOOTH COUPLING	ACOPLAMIENTO A 3 DIENTES	



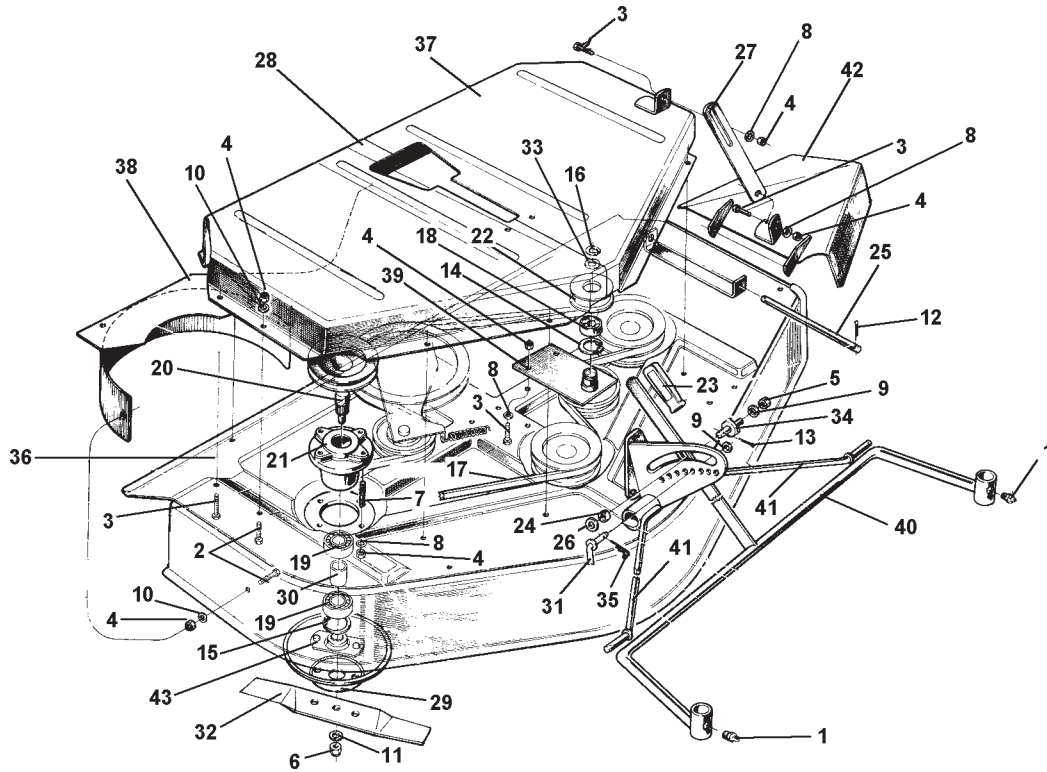
ID	PART NO	DESCRIPTION	DENOMINACION	NOTES
36	580.43654	SPRING	MUELLE	
37	580.48573	GASKET, LAWN MOWER BODY	GUARNICION CUERPO CORTACESPED	
38	580.48596	GASKET	GUARNICION	
39	580.48624	SPRING, BELT STRETCHER	TENSOR CORREA	
40	590.48566	SUPPORT, LAWN MOWER	SOPORTE CORTACESPED	
41	590.48571	SUPPORT, PROTECTIONS	SOPORTE PROTECCIONES	
42	590.48575	IDLER	TENSOR	
43	593.48622	BEVEL GEAR FOR 3-BLADE L.M.	PAR CONICO CORTACESPED 3 CUCHILLO	



ID	PARTNO	DESCRIPTION	DENOMINACION	NOTES
1	300.10141	SILENTBLOC 14 X 30 X 45 X 49	SILENTBLOC 14 X 30 X 45 X 49	
2	311.11093	SCREW M6 X 25	TORNILLO M6 X 25	
3	311.11151	SCREW M8 X 16	TORNILLO M8 X 16	
4	311.12151	SCREW M8 X 25	TORNILLO M8 X 25	
5	311.12153	SCREW M8 X 35	TORNILLO M8 X 35	
6	311.12340	SCREW TE M14 X 160 UNI 5737	TORNILLO TE M14 X 160 UNI 5737	
7	312.41060	NUT, SELF LOCKING M6	TUERCA AUTOBLOC. M6	
8	312.41080	NUT, SELF LOCKING M8	TUERCA AUTOBLOC. M8	
9	312.41141	NUT, SELF LOCKING M14 STANDARD	TUERCA AUTOBLOC. M14 NORMAL	
10	314.11064	WASHER, FLAT 6.4	ARANDELA PLANA 6.4	
11	314.11084	WASHER, FLAT 8.4	ARANDELA PLANA 8.4	
12	314.12210	WASHER, FLAT 21 UNI 1736	ARANDELA PLANA 21 UNI 1736	
13	314.14130	FLAT WASHER	ARANDELA PLANA	
14	314.23084	WASHER, LOCK 8.4	ARANDELA DE RES. 8.4	
15	314.23150	WASHER, LOCK 15	ARANDELA DE RES. 15	
16	341.10030	PIN, COTTER A 3 X 20 UNI 1336	PASADOR A 3 X 20 UNI 1336	
17	341.10042	PIN, COTTER A 4 X 30 UNI 1336	PASADOR A 4 X 30 UNI 1336	
18	531.48595	SUPPORT WHEEL AXLE	SOPORTE EJE RUEDAS	
19	533.48570	SUPPORT, CRANKCASE	SOPORTE CARTER	
20	552.43904	BUSHING	CASQUILLO	
21	561.48592	COVER	TAPA	
22	580.02470	FRONT RUBBER WHEEL	RUEDA DELANTE GOMADA	
23	590.48571	SUPPORT, PROTECTIONS	SOPORTE PROTECCIONES	
24	590.48612	AXLE, WHEELS	EJE RUEDA	
25	590.48614	PIN, WHEEL	PERNO RUEDA	
26	590.48615	TIEROD	TIRANTE	



ID	PART NO	DESCRIPTION	DENOMINACION	NOTES
1	300.00001	LUBRICATOR M10	ENGRASADOR M10	
2	311.11151	SCREW M8 X 16	TORNILLO M8 X 16	
3	311.12150	SCREW M8 X 20	TORNILLO M8 X 20	3 - THIS DIRECT BOLT BRACKET REPLACES THE BOLT AND SPRING SET UP USED ON EARLIER UNITS.
4	312.41080	NUT, SELF LOCKING M8	TUERCA AUTOBLOC. M8	
5	312.41100	NUT, SELF LOCKING M10	TUERCA AUTOBLOC. M10	
6	312.41121	NUT, SELF LOCKING M12 LOW	TUERCA AUTOBLOC. M12 BAJA	
7	313.12082	STUD M8 X 38 X 14 X 20	PRISIONERO M8 X 38 X 14 X 20	
8	314.11084	WASHER, FLAT 8.4	ARANDELA PLANA 8.4	
9	314.11104	WASHER P10.5 X 18	ARANDELA P10.5 X 18	
10	314.23084	WASHER, LOCK 8.4	ARANDELA DE RES. 8.4	
11	314.23130	WASHER, LOCK 13	ARANDELA DE RES. 13	
12	341.10030	PIN, COTTER A 3 X 20 UNI 1336	PASADOR A 3 X 20 UNI 1336	
13	341.10041	PIN, COTTER 4 X 25	PASADOR 4 X 25	
14	351.11040	CIRCLIP	SEEGER	
15	351.11052	CIRCLIP, INTERN D 52	SEEGER INT. D 52	
16	351.21017	CIRCLIP, EXTERN D 17	SEEGER EXT. D 17	
17	362.10062	V BELT A 78	CORREA TRAP. A 78	
18	371.12170	BEARING 17 X 40 X 12 6203 2RS	COJINETE 17 X 40 X 12 6203 2RS	
19	371.12250	BEARING 25 X 52 X 15 6205 2RS ST	COJINETE 25 X 52 X 15 6205 2RS ST	
20	523.48574	SHAFT WITH PULLEY	ARBOL CON POLEA	
21	531.48564	CASING, BLADE HOLDER	CUERPO PORTA CUCHILLOS	
22	532.48603	GUIDE PULLEY	POLEA	
23	551.02714	KNOB	MANILLAR	
24	552.48626	BUSH, CONTROL	CASQUILLO GUIA	
25	561.42110	PIN, COUPLING	PERNO ACOPLAMIENTO	
26	561.42314	WASHER 12.5 X 34 X 5	ROSETA 12.5 X 34 X 5	
27	561.48391	DOOR ARM	BRAZO PORTA	27 - THIS DIRECT BOLT BRACKET REPLACES THE BOLT AND SPRING SET UP USED ON EARLIER UNITS.
28	561.48556	HALF PROTECTION, RIGHT	SEMI PROTECCION DERECHO	
29	561.48557	KNIFE GUEARD	PROTECCION CUCHILLO	
30	561.48565	SPACER	SEPARADOR	
31	561.48625	ADJUSTMENT PIN	CLAVITA DE REGULACION	
32	563.48562	BLADE, LAWN MOWER L 362	CUCHILLO CORTACESPED L 362	
33	563.48597	WASHER	ARANDELA	
34	565.48619	PIN, ADJUSTMENT LEVER	PERNO PALANCA REGULACION	
35	580.50533	PIN	PASADOR	



ID	PART NO	DESCRIPTION	DENOMINACION	NOTES
36	590.48550	DECK, LAWN MOWER	LA BASE CORTACESPED	
37	590.48555	HALF PROTECTION, LEFT	SEMI PROTECCION IZQUIERDO	
38	590.48560	BAFFLE, REAR	DEFLECTOR POSTERIOR	
39	590.48578	IDLER	TIRANTE	
40	590.48612	AXLE, WHEELS	EJE RUEDAS	
41	590.48615	TIEROD	TIRANTE	
42	590.48618	DOOR, LATERAL	PORTEZUELA LATERAL	
43	590.48648	BLADE HOLDER HUB	CUBO PORTA CUCHILLOS	