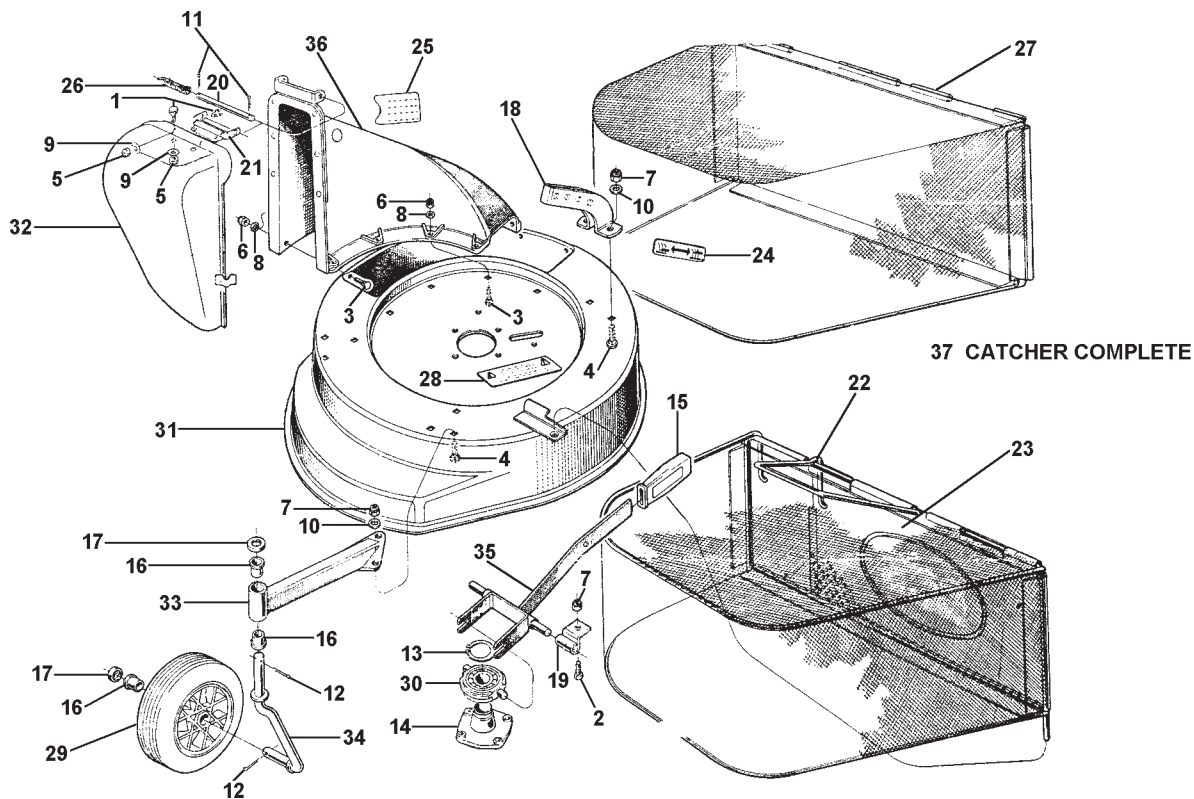




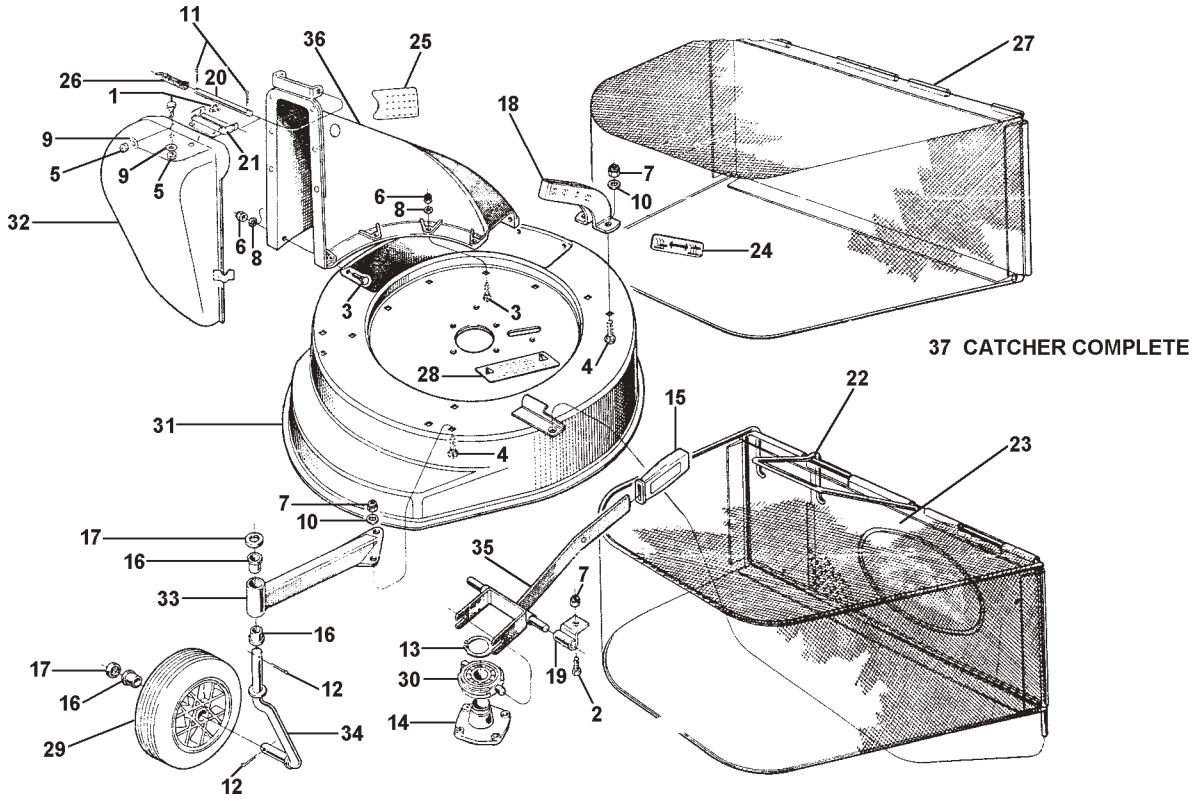
---

A M E R I C A

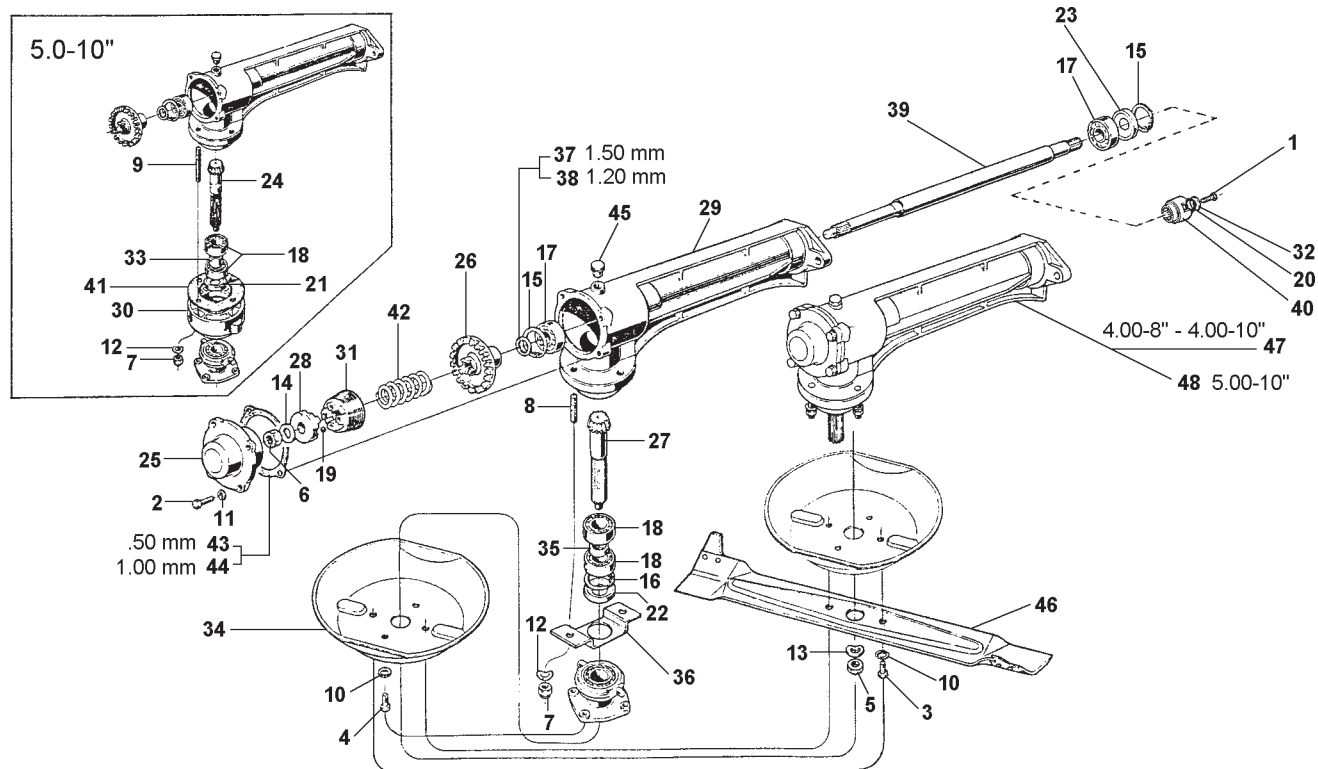
---



ID	PARTNO	DESCRIPTION	DENOMINACION	NOTES
1	311.11089	SCREW M5X10	TORNILLO M5X10	
2	311.11151	SCREW M8X16	TORNILLO M8X16	
3	311.21560	SCREW M6X20	TORNILLO M6X20	
4	311.21801	SCREW TTQ M8X20 UNI 5731	TORNILLO TTQ M8X20 UNI 5731	
5	312.11050	NUT M5	TUERCA M5	
6	312.41060	NUT, SELF LOCKING M6	TUERCA AUTOBLOC. M6	
7	312.41080	NUT, SELF LOCKING M8	TUERCA AUTOBLOC. M8	
8	314.11064	WASHER, FLAT 6,4	ARANDELA PLANA 6,4	
9	314.21062	SUPER WASHER	SUPER ARANDELA	
10	314.23084	WASHER, LOCK 8,4	ARANDELA DE RES. 8,4	
11	341.10028	COTTER PIN	PASADOR A 3X15 UNI 1336 AC.	
12	341.10041	PIN, COTTER 4X25	PASADOR 4X25	
13	351.21035	EXT. CIRCLIP D 35	SEEGER EXT. D 35	
14	523.51313	BLADE HOLDER HUB	CUBO PORTA CUCHILLA	
15	551.02714	KNOB	MANILLA	
16	552.19357	BUSH	CASQUILLO	
17	561.50559	PROTECTION	PROTECCION	
18	561.51335	CUTTING HEIGHT SELECTOR	SELECTOR ATURA DE CORTA	
19	561.51349	SUPPORT	SOPORTE	
20	561.51364	BAFFLE PIN	PERNO DEFLECTOR	
21	561.51366	U-BOLT	PUENTE	
22	561.51369	FRAME	CHASIS	
23	561.51370	GRID	FILTRO	
24	580.51337	TRANSFER FOR LAWNMOWER	AUTOADESIVO PARA CORTACESPED	
25	580.51361	TRANSFER	AUTOADHESIVO	
26	580.51365	DEFLECTOR SPRING	MUELLE DEFLECTOR	
27	580.51371	GRASS BAG	SACO COLECTOR	
28	580.51372	STICKER	AUTOADHESIVO	
29	590.50550	SMALL WHEEL	RUEDITA	
30	590.51315	COLLAR	COLARIN	
31	590.51330	LAWN MOWER CRANKCASE	CARTER CORTACESPED	
32	590.51336	DEFLECTOR	DEFLECTOR	
33	590.51343	WHEEL SUPPORT	SOPORTE RUEDA	
34	590.51346	SPINDLE	FUSO	
35	590.51350	ADJUSTING LEVER	PALANCA REGULACION	



ID	PARTNO	DESCRIPTION	DENOMINACION	NOTES
36	590.51358	CONVEYOR	DEFLECTOR	
37	590.51368	CATCHER COMPLETE	SACO COMPLETE	



ID	PARTNO	DESCRIPTION	DENOMINACION	NOTES
1	311.12090	SCREW TE M6X16	TORNILLO TE M6X16	
2	311.12093	SCREW M6X20	TORNILLO M6X20	
3	311.12148	SCREW M8X14	TORNILLO M8X14	
4	311.12149	SCREW M8X12	TORNILLO M8X12	
5	312.31120	NUT, LOW M12	TUERCA BAJA M12	
6	312.31141	NUT M14X1.5	TUERCA M14X1.5	
7	312.41101	NUT SELF LOCKING, M10 LOW	TUERCA AUTOBLOC. M10 BAJA	
8	313.12101	STUD M10X37X19X15 8G	PRISIONERO M10X37X19X15 8G	
9	313.12106	STUD M10X68X34X15	PRISIONERO M10X68X34X15	
10	314.21083	SUPER WASHER 8 DIN 6796	SUPER ARANDELA 8 DIN 6796	
11	314.22064	WASHER, LOCK 6.4	ARANDELA DE RES. 6.4	
12	314.23105	WASHER, LOCK 10.5	ARANDELA DE RES. 10.5	
13	314.10121	WASHER, LOCK 13	ARANDELA DE RES 13	
14	314.11150	WASHER, LOCK 15	ARANDELA DE RES 15	
15	351.11047	CIRCLIP, INTERN. D 47	SEEGER INT. D 47	
16	351.11052	CIRCLIP, INTERN. D 52	SEEGER INT. D 52	
17	371.11201	BEARING 20X47X14 6204	BARRA 20X47X14 6204	
18	371.11255	BEARING SKF 25X52X15 6205	COJINETE SKF 25X52X15 6205	
19	379.11032	BALL 5/16 RIV RB 7.938	BOLA 5/16 RIV RB 7.938	
20	381.11554	O-RING 3062 15.54X2.62	OR 3062 15.54X2.62	
21	382.12500	OIL SEAL 25X40X7	CHAPA RET. ACEITE 25X40X7	
22	382.12502	OIL SEAL 25X52X7	CHAPA RET. ACEITE 25X52X7	
23	382.12847	OIL SEAL	CHAPA RET. ACEITE	
24	524.49482	BEVEL PINION	PINION CONICO	
25	524.49487	BRAKE BELL	CAMPANA FRENO	
26	524.49491	CONICAL GEAR	RUEDA DENTADA CONICA	
27	524.51305	BEVEL GEAR	PINION CONICO	
28	524.51310	BRAKE COUPLING	ACOPLAMIENTO FRENO	
29	532.49475	LAWN MOWER CASING	CAJA CORTACESPED	
30	532.49480	SPACER FLANGE	BRIDA SEPARADOR	
31	541.49492	BRAKE CONE	CONO FRENO	
32	561.42291	WASHER 7X25X4	ARANDELA	
33	561.49483	LONG SPACER	SEPARADOR LUNGO	
34	561.50753	PROTECTION DISC	DISCO DE PROTECCION	
35	561.51306	SPACER	SEPARADOR	

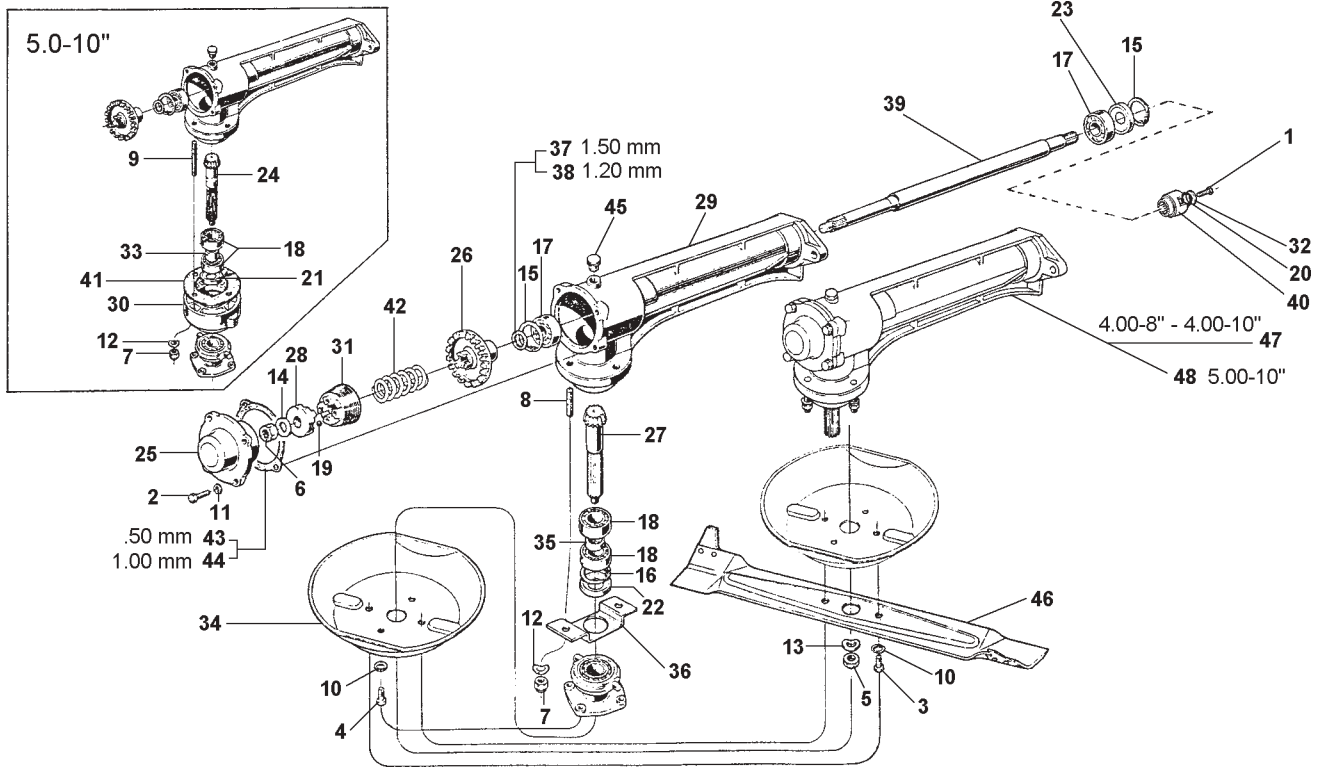
**Attachments**  
95+ Rotary Mowers

**New 3 Dog PTO  
22" Mower Gear Box**

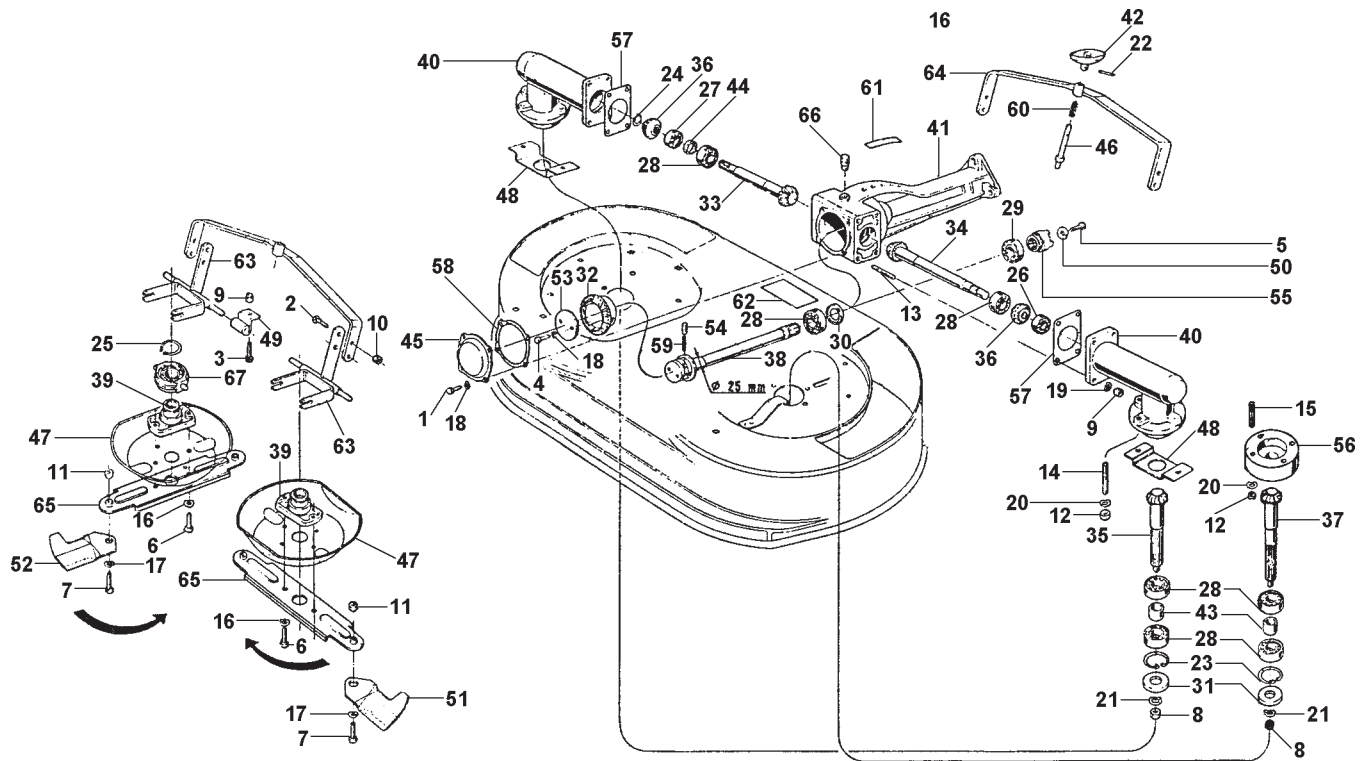
**Serial Number Range  
131180 - -----**

**02.00**

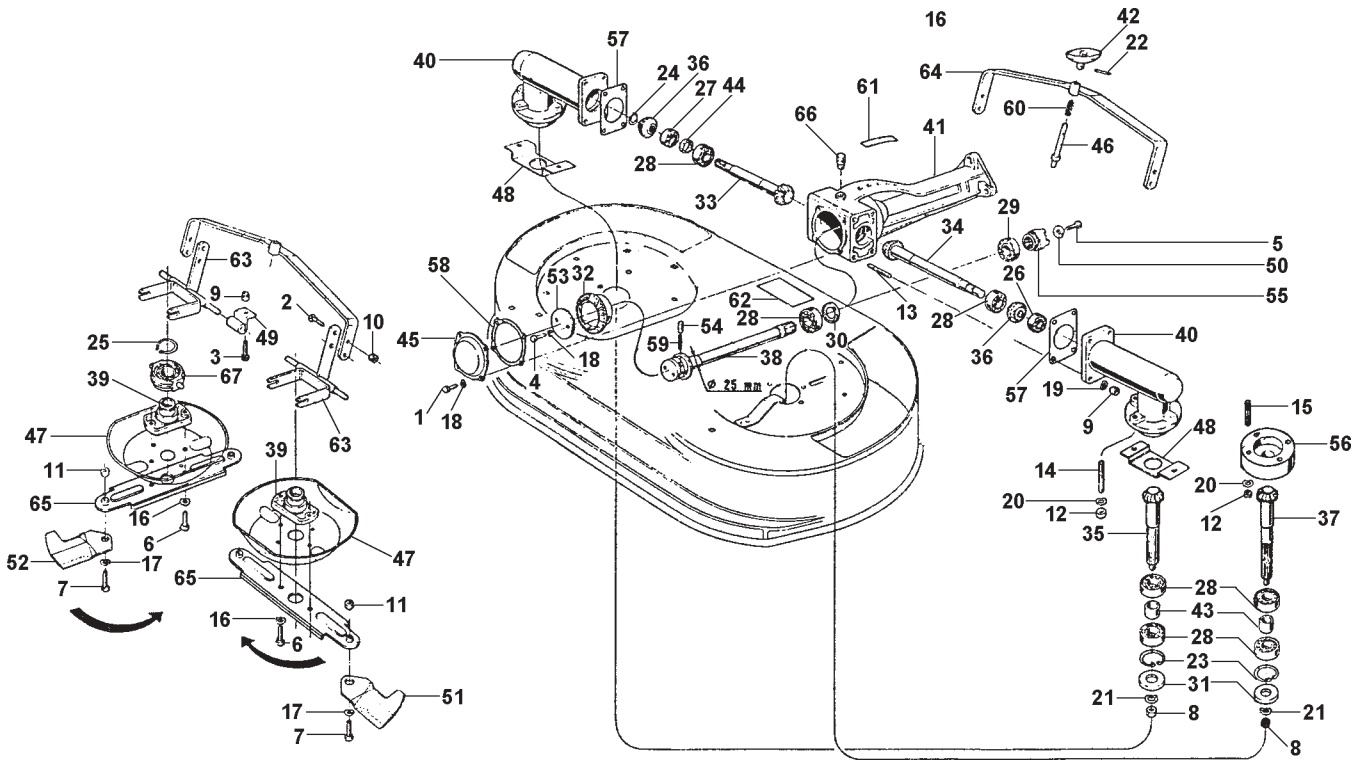
REVISED 06/16/03



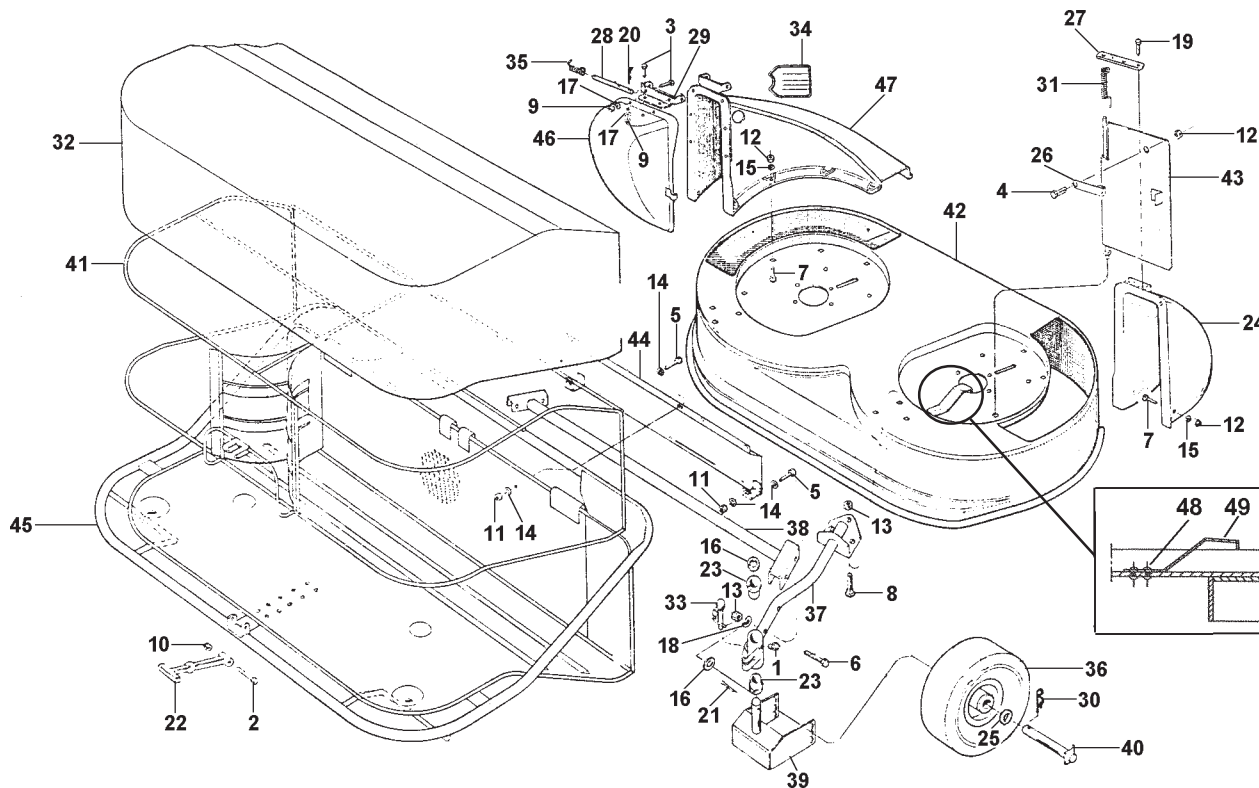
ID	PARTNO	DESCRIPTION	DENOMINACION	NOTES
36	561.51334	PROTECTION	PROTECCION	
37	563.51303	STOP RING	ANILLO CONTRASTE	
38	563.51314	STOP RING	ANILLO DE CONTRASTE	
39	564.49496	PROPELLER SHAFT	ARBOL TRANSMICION	
40	564.58941	PTO COUPLER	ACOPLAMIENTO FRESADORA	
41	580.49481	GASKET	GUARNICION	
42	580.49490	BRAKE SPRING	MUELLE FRENO	
43	580.51320	GASKET	GUARNICION	
44	580.51321	GASKET	GUARNICION	
45	590.51045	BREATHER CAP 1/4 GAS	TAPON RESPIRACION 1/4 GAS	
46	590.51325	LAWN MOWER BLADE	PREMISTRISCIA CORTACESPED	
47	592.49497	GEAR ASSEMBLY	ENGRANJE ENSAMBLAJE	
48	592.49498	GEAR ASSEMBLY	ENGRANJE ENSAMBLAJE	



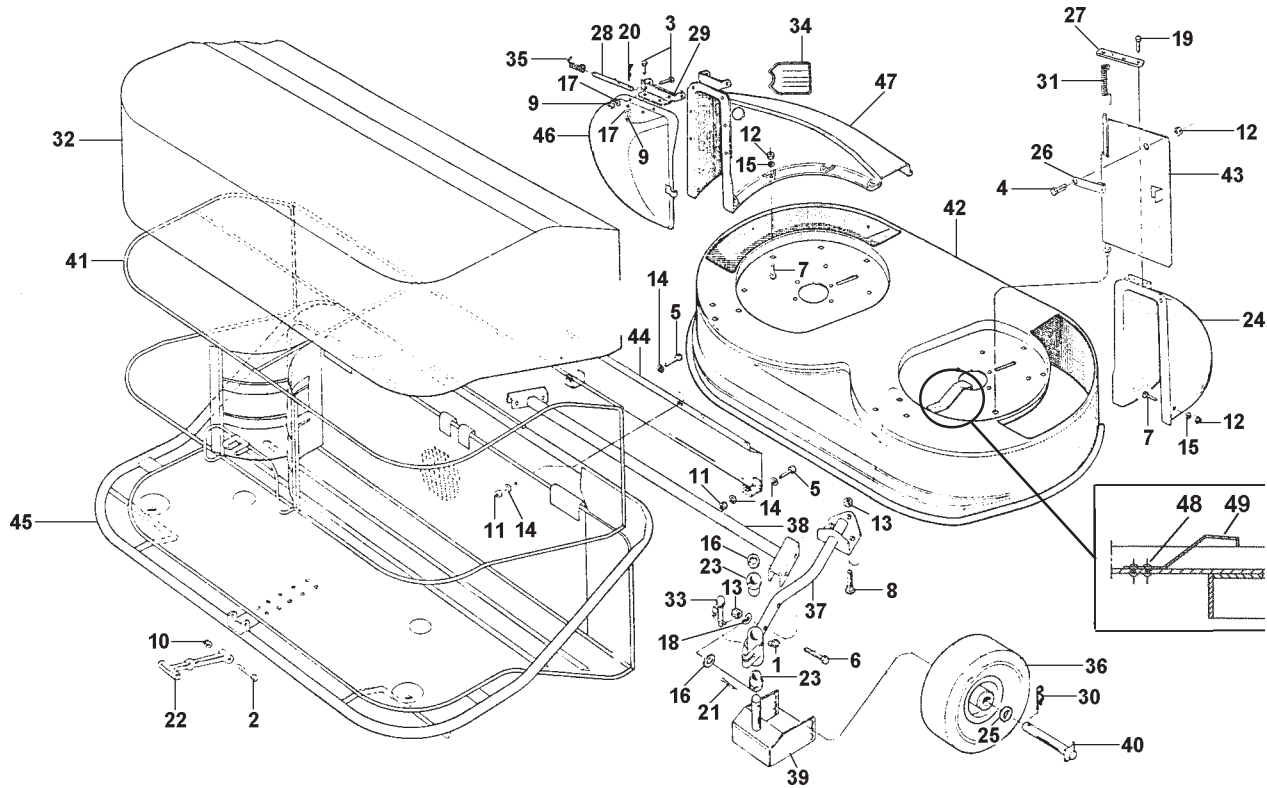
ID	PARTNO	DESCRIPTION	DENOMINACION	NOTES
1	311.11091	SCREW TE M6X14	TORNILLO TE M6X14	
2	311.12150	SCREW TE M8X20	TORNILLO TE M8X20	
3	311.11151	SCREW M8X16	TORNILLO M8X16	
4	311.12082	SCREW M6X12	TORNILLO M6X12	
5	311.12090	SCREW TE M6X16	TORNILLO M6X16	
6	311.12148	SCREW M8X14	TORNILLO M8X14	
7	311.12211	SCREW M10X30	TORNILLO M10X30	
8	312.31120	NUT, LOW M12	TUERCA BAJA M12	
9	312.41080	NUT, SELF LOCKING M8	TUERCA AUTOBLOC. M8	
10	312.41084	NUT	TUERCA	
11	312.41100	NUT, SELF LOCKING M10	TUERCA AUTOBLOC. M10	
12	312.41101	NUT, SELF LOCKING M10 L	TUERCA AUTOBLOC. M10 BAJA	
13	313.12088	STUD M8X40X14X14	PRISIONERO M8X40X14X14	
14	313.12101	STUD M10X37X19X15	PRISIONERO M10X37X19X15	
15	313.12106	STUD M10X68X34X15	PRISIONERO M10X68X34X15	
16	314.21083	SUPER WASHER 8 DIN 6796	SUPER ARANDELA 8 DIN 6796	
17	314.21101	SUPER WASHER 10 DIN 679	SUPER ARANDELA 10 DIN 6796	
18	314.22064	WASHER, LOCK 6.4	ARANDELA DE RES. 6.4	
19	314.23084	WASHER, LOCK 8.4	ARANDELA DE RES. 8.4	
20	314.23105	WASHER, LOCK 10.5	ARANDELA DE RES. 10.5	
21	314.23130	WASHER, LOCK 13	ARANDELA DE RES. 13	
22	342.13020	LOCKING PIN 4X24 SPIRAL	ESP. DE RES. 4X20 ESPIRAL	
23	351.11052	CIRCLIP, INTERN D 52	SEEGER INT. D 52	
24	351.21019	OUTSIDE CIRCLIP	SEEGER EXTERIOR	
25	351.21035	EXT. CIRCLIP D 30	SEEGER EXTERIOR D 30	
26	371.11170	BEARING 17X40X12 6203	COJINETE 17X40X12 6203	
27	371.11201	BEARING 20X47X14 6204	BARRA 20X47X14 6204	
28	371.11255	BEARING SKF 25X52X15 6	COJINETE SKF 25X52X15 6205	
29	371.12252	BRNG 25X47X12 ST 2RS 60	COJINETE 6005-2RS 25X47X12	
30	382.12500	OIL SEAL 25X40X7	CHAPA RET. ACEITE 25X40X7	
31	382.12502	OIL SEAL 25X52X7	CHAPA RET, ACEITE 25X52X7	
32	524.47295	BEVEL GEAR	CORONA CONICA	
33	524.47296	RIGHT SHAFT	ARBOL DERECHO	
34	524.47297	LEFT SHAFT	ARBOL IZQUIERDO	
35	524.47298	ROLL CASING	ESTUCHE	



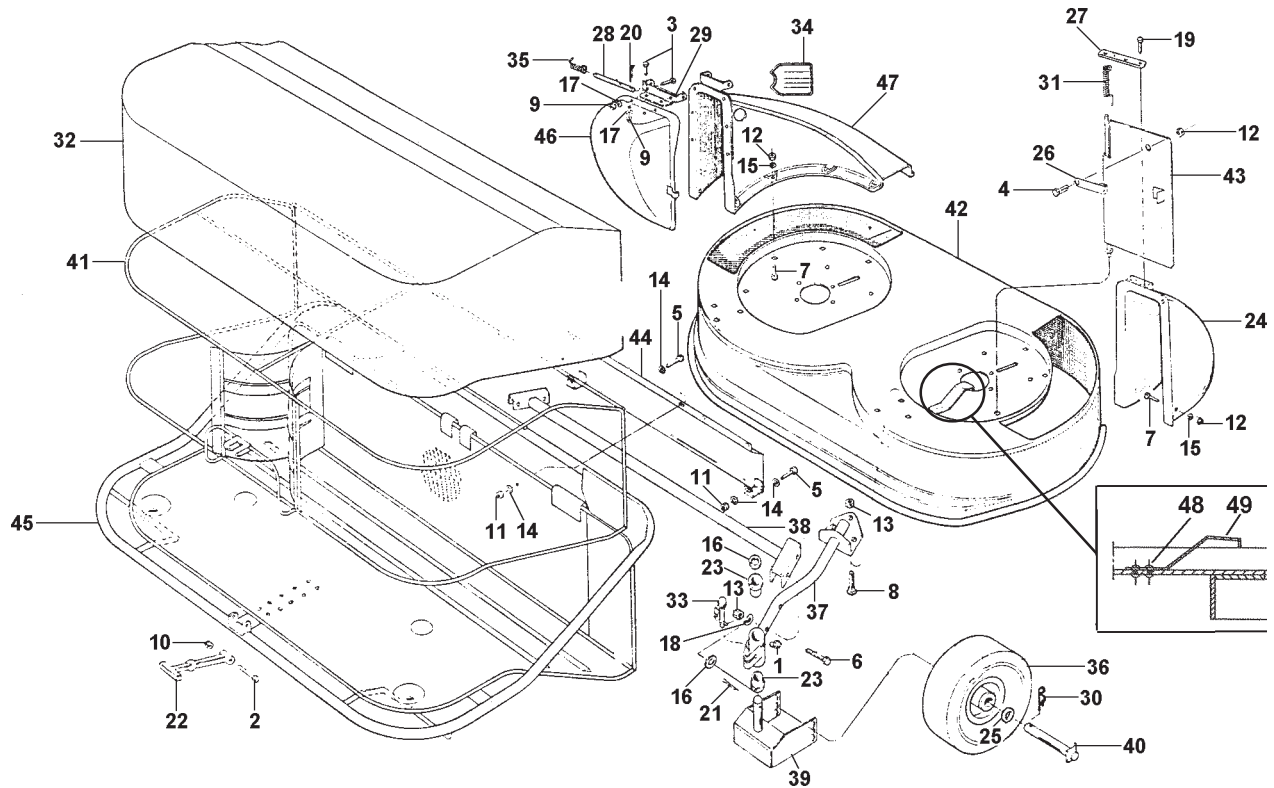
ID	PARTNO	DESCRIPTION	DENOMINACION	NOTES
36	524.47299	BEVEL GEAR	ENGRENAJE CONICO	
37	524.47314	BEVEL PINION	PINION CONICO	
38	524.47315	PROPELLER SHAFT	ARBOL DE TRANSMICION	
39	524.47363	BLADE HOLDER HUB	CUBO PORTRA LAMA	
40	532.47305	SIDE BODY 2-BLADE MOWER	CUERPO LATERAL CORTAC. 2 CUC.	
41	532.47306	LAWN MOWER CENTRAL BODY	CUERPO CENTRAL CORTACESPED	
42	552.49665	KNOB	MANILLA	
43	561.43660	SPACER 25X30X24	SEPARADOR 25X30X24	
44	561.47312	STOP RING	ANILLO CONTRASTE	
45	561.47319	CAP	CASQUETE	
46	561.47336	SELECTOR PIN	PERNO SELECTOR	
47	561.50753	PROTECTION DISC	DISCO DE PROTECCION	
48	561.51334	PROTECTION	PROTECCION	
49	561.51349	SUPPORT	SOPORTE	
50	561.58943	WASHER	ARANDELA	
51	563.47367	LEFT HAND BLADE	CUCHILLA IZQUIERCA	
52	563.47368	RIGHT HAND BLADE	CUCHILLA DERECHA	
53	563.48584	DISC, GEAR LOCKING	DISCO BLOCAJE CORONA	
54	564.43655	CAP	PUNTAL	
55	564.58942	PTO COUPLER	ACOPLAMIENTO	
56	572.47345	CRANKCASE SPACER	SEPARADOR CARTER	
57	580.47321	SIDE GASKET	GUARNICION LATERAL	
58	580.47322	GASKET	GUARNICION	
59	580.48021	STOP LEVER SPRING	MUELLE PALANCA STOP	
60	580.49830	FERRULE SPRING	MUELLE PUNTAL	
61	580.51337	TRANSFER FOR LAWN MOWER	AUTOADESIVO PARA CORTACESPED	
62	580.51372	STICKER	AUTOADHESIVO	
63	590.47329	ADJUSTING LEVER	PALANCA DE REGULACION	
64	590.47333	CROSSPIECE	TRAVESANO	
65	590.47364	BLADE HOLDER	PORTA-CUCHILLAS	
66	590.51045	BREATHER CAP 1/4 GAS	TAPON RESPIRACION 1/4 GAS	
67	590.51315	COLLAR	COLARIN	



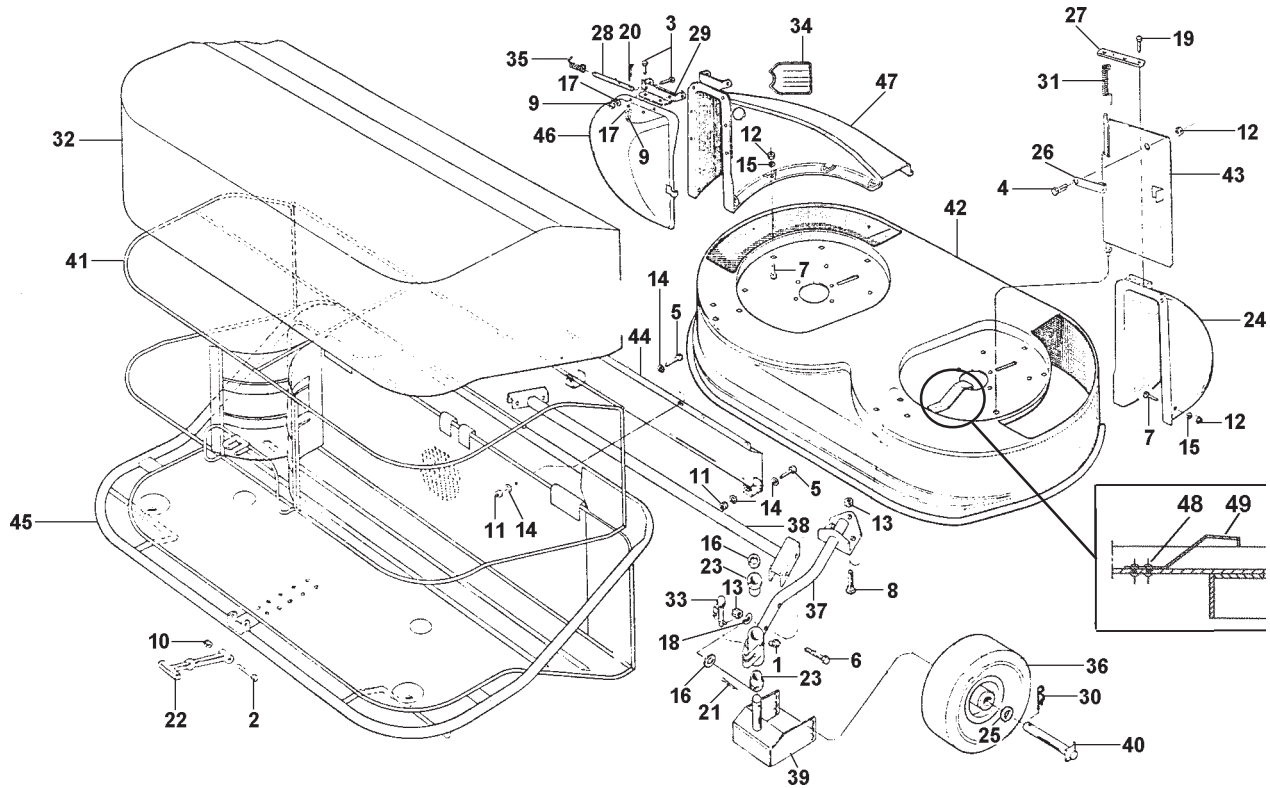
ID	PARTNO	DESCRIPTION	DENOMINACION	NOTES
1	300.00001	LUBRICATOR M10	ENGRASADOR M10	
2	311.11088	SCREW TE M4X40	TORNILLO TE M4X40	
3	311.11089	SCREW M5X10	TORNILLO M5X10	
4	311.11091	SCREW TE M6X14	TORNILLO TE M6X14	
5	311.12050	SCREW M5X16	TORNILLO M5X16	
6	311.12155	SCREW TE M8X45	TORNILLO TE M8X45	
7	311.21560	SCREW M6X20	TORNILLO M6X20	
8	311.21801	SCREW TTQ M8X20	TORNILLO TTQ M8X20	
9	312.11050	NUT M5	TUERCA M5	
10	312.41040	NUT	TUERCA	
11	312.41050	NUT, SELF LOCKING M5	TUERCA AUTOBLOC. M5	
12	312.41060	NUT, SELF LOCKING M6	TUERCA AUTOBLOC. M6	
13	312.41080	NUT, SELF LOCKING M8	TUERCA AUTOBLOC. M8	
14	314.11053	WASHER, FLAT 5.3	ARANDELA PLANA 5.3	
15	314.11064	WASHER, FLAT 6.4	ARANDELA PLANA 6.4	
16	314.12210	WASHER, FLAT 21	ARANDELA PLANA 21	
17	314.21062	SUPER WASHER	SUPER ARANDELA	
18	314.23084	WASHER, LOCK 8.4	ARANDELA DE RES. 8.4	
19	315.10100	SCREW 6.3X19	TORNILLO 6.3X19	
20	341.10028	COTTER PIN A 3X15	PASADOR A 3X15	
21	341.10042	PIN, COTTER A 4X30	PASADOR A 4X30	
22	551.42758	RUBBER HANDLE	MANIJA GOMA	
23	552.43904	BUSHING	CASQUILLO	
24	552.47348	LEFT HAND CONVEYOR	DEFLECTOR IZQUIERDO	
25	561.31068	BUSHING	CASQUILLO	
26	561.47199	FLAP DOG	ANILLO CONTRASTE	
27	561.47354	BRACKET	ESTRIBO	
28	561.51364	BAFFLE PIN	PERNO DEFLECTOR	
29	561.51366	U-BOLT	PUEENTE	
30	580.02052	PIN	CLAVITA	
31	580.47353	SPRING	MUELLE	
32	580.47391	GRASS CATCHER BAG	SACO PARA RECOGIDOR	
33	580.50512	SAFTEY PIN	ESPIÑA DE SEGURIDAD	
34	580.51361	TRANSFER	AUOTADHESIVO	
35	580.51365	DEFLECTOR SPRING	MUELLE DEFLECTOR	



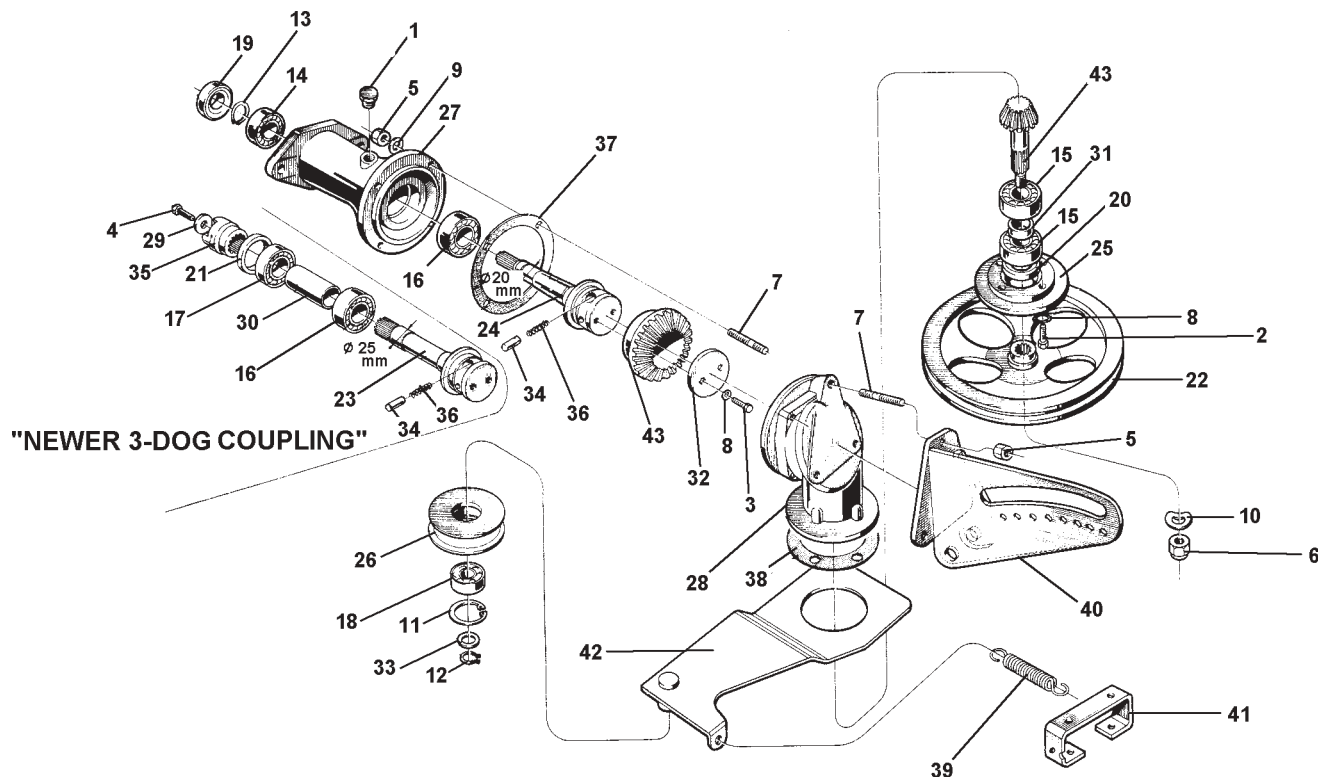
ID	PARTNO	DESCRIPTION	DENOMINACION	NOTES
36	581.47379	COMPLETE WHEEL 3.00-4	RUEDA COMPLETA 3.00-4	
37	590.47175	LONG SUPPORT	SOPORTE LARGO	
38	590.47177	TIEROD	TIRANTE	
39	590.47180	WIDE FORK	HORQUILLA ANCHA	
40	590.47183	LONG PIN	PERNO LARGO	
41	590.47189	BAG FRAME	CHASIS CANASTILLO	
42	590.47301	LAWN MOWER CRANKCASE	CARTER CORTACESPED	
43	590.47350	LEFT HAND FLAP	DEFLECTOR IZQUIERDO	
44	590.47386	REAR PROTECTION	PROTECCION POSTERIOR	
45	590.47404	BAG FRAME BOTTOM	FONDO CHASIS CANASTILLO	
46	590.51336	DEFLECTOR	DEFLECTOR	
47	590.51358	CONVEYOR	DEFLECTOR	
48	333.12381	RIVET M3.8X12		
49	563.47318	SUPPORT		



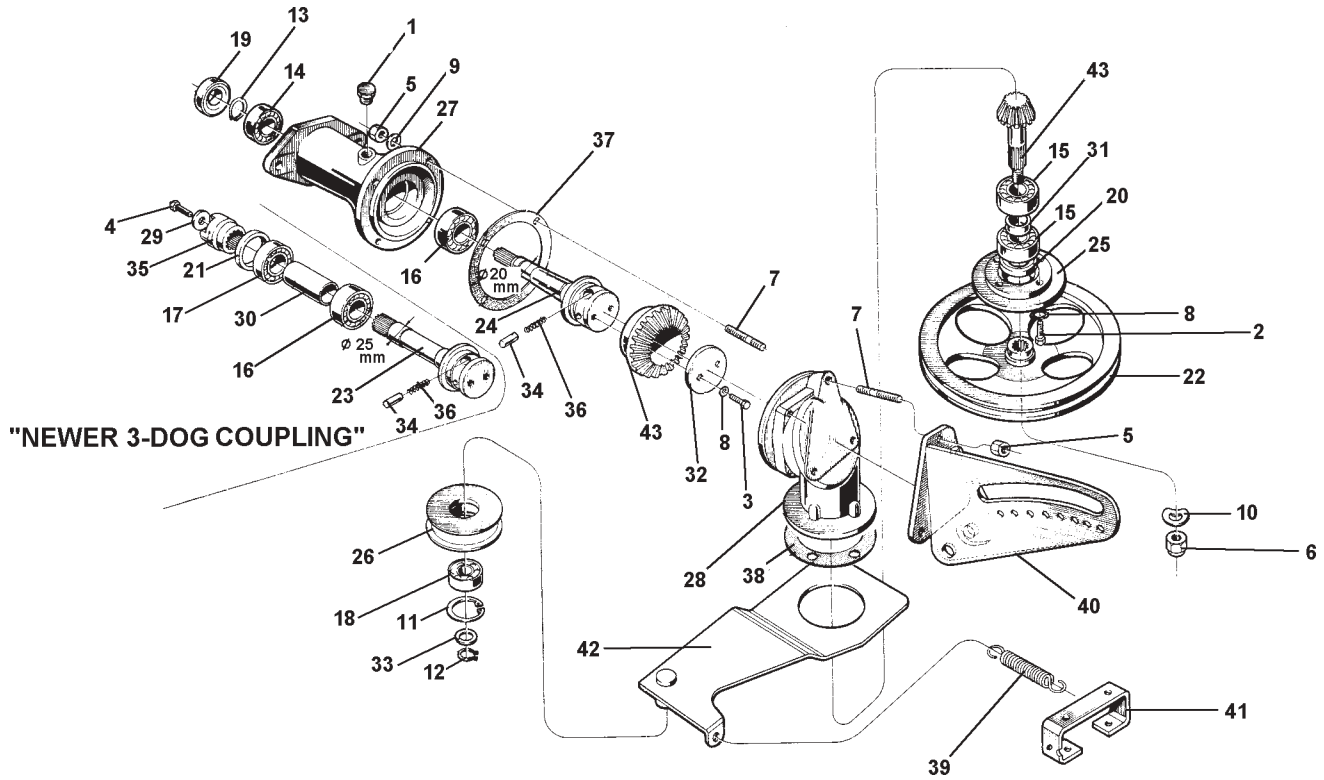
ID	PARTNO	DESCRIPTION	DENOMINACION	NOTES
1	300.00001	LUBRICATOR M10	ENGRASADOR M10	
2	311.11088	SCREW TE M4X40	TORNILLO TE M4X40	
3	311.11089	SCREW M5X10	TORNILLO M5X10	
4	311.11091	SCREW TE M6X14	TORNILLO TE M6X14	
5	311.12050	SCREW M5X16	TORNILLO M5X16	
6	311.12155	SCREW TE M8X45	TORNILLO TE M8X45	
7	311.21560	SCREW M6X20	TORNILLO M6X20	
8	311.21801	SCREW TTQ M8X20	TORNILLO TTQ M8X20	
9	312.11050	NUT M5	TUERCA M5	
10	312.41040	NUT	TUERCA	
11	312.41050	NUT, SELF LOCKING M5	TUERCA AUTOBLOC. M5	
12	312.41060	NUT, SELF LOCKING M6	TUERCA AUTOBLOC. M6	
13	312.41080	NUT, SELF LOCKING M8	TUERCA AUTOBLOC. M8	
14	314.11053	WASHER, FLAT 5.3	ARANDELA PLANA 5.3	
15	314.11064	WASHER, FLAT 6.4	ARANDELA PLANA 6.4	
16	314.12210	WASHER, FLAT 21	ARANDELA PLANA 21	
17	314.21062	SUPER WASHER	SUPER ARANDELA	
18	314.23084	WASHER, LOCK 8.4	ARANDELA DE RES. 8.4	
19	315.10100	SCREW 6.3X19	TORNILLO 6.3X19	
20	341.10028	COTTER PIN A 3X15	PASADOR A 3X15	
21	341.10042	PIN, COTTER A 4X30	PASADOR A 4X30	
22	551.42758	RUBBER HANDLE	MANIJA GOMA	
23	552.43904	BUSHING	CASQUILLO	
24	552.47348	LEFT HAND CONVEYOR	DEFLECTOR IZQUIERDO	
25	561.31068	BUSHING	CASQUILLO	
26	561.47199	FLAP DOG	ANILLO CONTRASTE	
27	561.47354	BRACKET	ESTRIBO	
28	561.51364	BAFFLE PIN	PERNO DEFLECTOR	
29	561.51366	U-BOLT	PUENTE	
30	580.02052	PIN	CLAVITA	
31	580.47353	SPRING	MUELLE	
32	580.47391	GRASS CATCHER BAG	SACO PARA RECOGIDOR	
33	580.50512	SAFTEY PIN	ESPIÑA DE SEGURIDAD	
34	580.51361	TRANSFER	AUOTADHESIVO	
35	580.51365	DEFLECTOR SPRING	MUELLE DEFLECTOR	



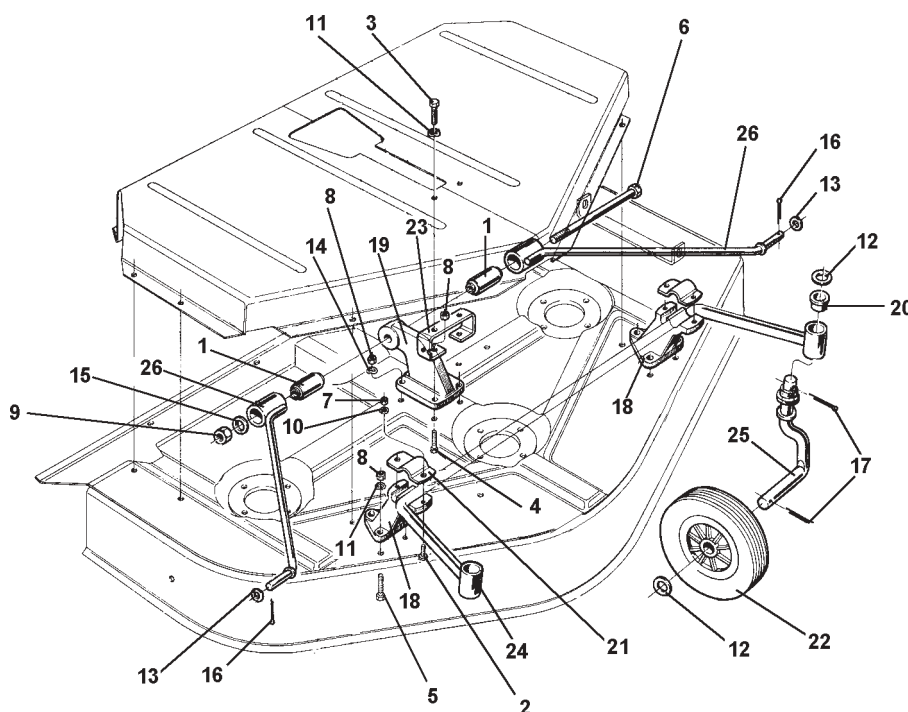
ID	PARTNO	DESCRIPTION	DENOMINACION	NOTES
36	581.59984	COMPLETE WHEEL 3.00-4	RUEDA COMPLETA 3.00-4	
37	590.47175	LONG SUPPORT	SOPORTE LARGO	
38	590.47177	TIEROD	TIRANTE	
39	590.47180	WIDE FORK	HORQUILLA ANCHA	
40	590.47183	LONG PIN	PERNO LARGO	
41	590.47189	BAG FRAME	CHASIS CANASTILLO	
42	590.47301	LAWN MOWER CRANKCASE	CARTER CORTACESPED	
43	590.47350	LEFT HAND FLAP	DEFLECTOR IZQUIERDO	
44	590.47386	REAR PROTECTION	PROTECCION POSTERIOR	
45	590.47404	BAG FRAME BOTTOM	FONDO CHASIS CANASTILLO	
46	590.51336	DEFLECTOR	DEFLECTOR	
47	590.51358	CONVEYOR	DEFLECTOR	
48	333.12381	RIVET M3.8X12		
49	563.47318	SUPPORT		



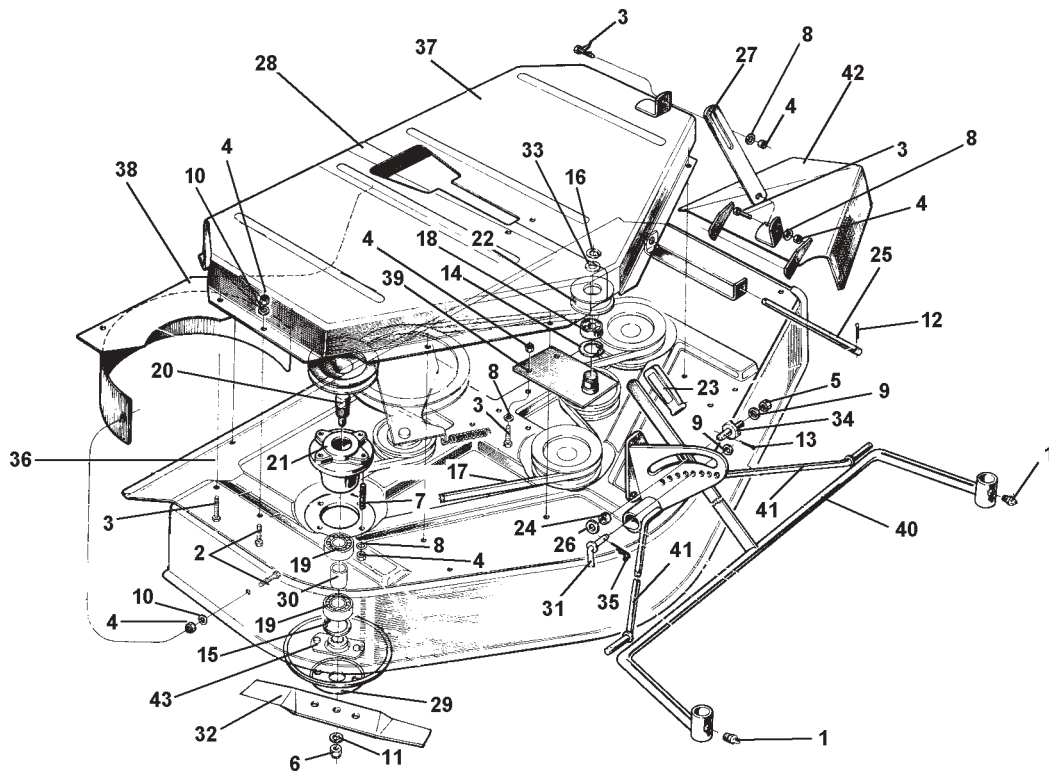
ID	PART NO	DESCRIPTION	DENOMINACION	NOTES
1	300.40001	PLUG 1/4 GAS	TAPON 1/4 GAS	
2	311.11093	SCREW M6 X 25	TORNILLO M6 X 25	
3	311.12082	SCREW M6 X 12	TORNILLO M6 X 12	
4	311.12093	SCREW M6 X 20	TORNILLO M6 X 20	
5	312.41080	NUT, SELF LOCKING M8	TUERCA AUTOBLOC. M8	
6	312.41121	NUT, SELF LOCKING M12 LOW	TUERCA AUTOBLOC. M12 BAJA	
7	313.12082	STUD M8 X 38 X 14 X 20	PRISIONERO M8 X 38 X 14 X 20	
8	314.22064	WASHER, LOCK 6.4	ARANDELA DE RES. 6.4	
9	314.23084	WASHER, LOCK 8.4	ARANDELA DE RES. 8.4	
10	314.23130	WASHER, LOCK 13	ARANDELA DE RES. 13	
11	351.11040	CIRCLIP	SEEGER	
12	351.21017	CIRCLIP, EXTERN. D 17	SEEGER EXT. D 17	
13	351.21020	CIRCLIP EXTERN. D 20	SEEGER EXT. D 20	
14	371.11201	BEARING 20 X 47 X 14 6204	COJINETE 20 X 47 X 14 6204	
15	371.11202	BEARING 20 X 52 X 15 6304	COJINETE 20 X 52 X 15 6304	
16	371.11255	BERING 25 X 52 X 15 6205	COJINETE 25 X 52 X 15 6205	
17	371.11253	BEARING 24 X 47 X 12	COJINETE 25 X 47 X 12 6005	
18	371.12170	BEARING 17 X 40 X 12 6203 2RS	COJINETE 17 X 40 X 12 6203 2RS	
19	382.12005	SEAL, OIL 20 X 47 X 10 STANDARD	CHAPA RET. AC. 20 X 47 X 10 NORM.	
20	382.13201	SEAL, OIL 32 X 42 X 7 STANDARD	CHAPA RET. AC. 32 X 42 X 7 NORM.	
21	382.13500	SEAL OIL 35 X 47 X 7 STANDARD	CHAPA RET. AC. 35 X 47 X 7 NORM.	
22	511.48572	PULLEY, DRIVING	POLEA MOTRIZ	
23	524.48397	GEAR SHAFT	ARBOL PARA CORONA	
24	524.48582	SHAFT FOR GEAR	ARBOL PARA CORONA	
25	531.48569	COVER, LOWER	TAPITA INFERIOR	
26	532.48603	GUIDE PULLEY	POLEA	
27	533.48567	FLANGE, LAWN MOWER	BRIDA CORTA-HIERBA	
28	533.48568	CASING, 3 BLADES LAWN MOWER	CUERPO CORTA-HIERBA A 3 CUCHILLAS	
29	561.42291	WASHER 7 X 25 X 4	ARANDELA 7 X 25 X 4	
30	561.48399	SPACER 25 X 30 X 55	SEPARADOR 25 X 30 X 55	
31	561.48583	SPACER	SEPARADOR	
32	563.48584	DISC, GEAR LOCKING	DISCO BLOCAJE CORONA	
33	563.48597	WASHER	ARANDELA	
34	564.43655	CAP	PUNTAL	
35	564.48398	3-TOOTH COUPLING	ACOPLAMIENTO A 3 DIENTES	



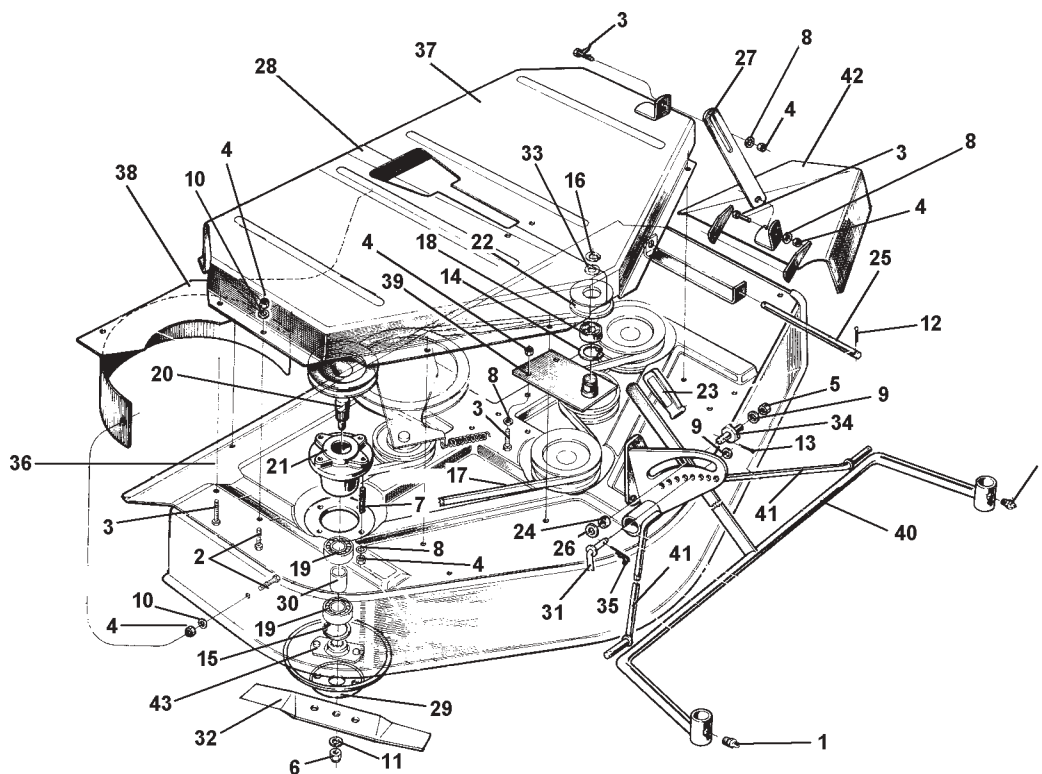
ID	PART NO	DESCRIPTION	DENOMINACION	NOTES
36	580.43654	SPRING	MUELLE	
37	580.48573	GASKET, LAWN MOWER BODY	GUARNICION CUERPO CORTACESPED	
38	580.48596	GASKET	GUARNICION	
39	580.48624	SPRING, BELT STRETCHER	TENSOR CORREA	
40	590.48566	SUPPORT, LAWN MOWER	SOPORTE CORTACESPED	
41	590.48571	SUPPORT, PROTECTIONS	SOPORTE PROTECCIONES	
42	590.48575	IDLER	TENSOR	
43	593.48622	BEVEL GEAR FOR 3-BLADE L.M.	PAR CONICO CORTACESPED 3 CUCHILLO	



ID	PARTNO	DESCRIPTION	DENOMINACION	NOTES
1	300.10141	SILENTBLOC 14 X 30 X 45 X 49	SILENTBLOC 14 X 30 X 45 X 49	
2	311.11093	SCREW M6 X 25	TORNILLO M6 X 25	
3	311.11151	SCREW M8 X 16	TORNILLO M8 X 16	
4	311.12151	SCREW M8 X 25	TORNILLO M8 X 25	
5	311.12153	SCREW M8 X 35	TORNILLO M8 X 35	
6	311.12340	SCREW TE M14 X 160 UNI 5737	TORNILLO TE M14 X 160 UNI 5737	
7	312.41060	NUT, SELF LOCKING M6	TUERCA AUTOBLOC. M6	
8	312.41080	NUT, SELF LOCKING M8	TUERCA AUTOBLOC. M8	
9	312.41141	NUT, SELF LOCKING M14 STANDARD	TUERCA AUTOBLOC. M14 NORMAL	
10	314.11064	WASHER, FLAT 6.4	ARANDELA PLANA 6.4	
11	314.11084	WASHER, FLAT 8.4	ARANDELA PLANA 8.4	
12	314.12210	WASHER, FLAT 21 UNI 1736	ARANDELA PLANA 21 UNI 1736	
13	314.14130	FLAT WASHER	ARANDELA PLANA	
14	314.23084	WASHER, LOCK 8.4	ARANDELA DE RES. 8.4	
15	314.23150	WASHER, LOCK 15	ARANDELA DE RES. 15	
16	341.10030	PIN, COTTER A 3 X 20 UNI 1336	PASADOR A 3 X 20 UNI 1336	
17	341.10042	PIN, COTTER A 4 X 30 UNI 1336	PASADOR A 4 X 30 UNI 1336	
18	531.48595	SUPPORT WHEEL AXLE	SOPORTE EJE RUEDAS	
19	533.48570	SUPPORT, CRANKCASE	SOPORTE CARTER	
20	552.43904	BUSHING	CASQUILLO	
21	561.48592	COVER	TAPA	
22	580.02470	FRONT RUBBER WHEEL	RUEDA DELANTE GOMADA	
23	590.48571	SUPPORT, PROTECTIONS	SOPORTE PROTECCIONES	
24	590.48612	AXLE, WHEELS	EJE RUEDA	
25	590.48614	PIN, WHEEL	PERNO RUEDA	
26	590.48615	TIEROD	TIRANTE	



ID	PART NO	DESCRIPTION	DENOMINACION	NOTES
1	300.00001	LUBRICATOR M10	ENGRASADOR M10	
2	311.11151	SCREW M8 X 16	TORNILLO M8 X 16	
3	<b>311.12150</b>	<b>SCREW M8 X 20</b>	<b>TORNILLO M8 X 20</b>	<b>3 - THIS DIRECT BOLT BRACKET REPLACES THE BOLT AND SPRING SET UP USED ON EARLIER UNITS.</b>
4	312.41080	NUT, SELF LOCKING M8	TUERCA AUTOBLOC. M8	
5	312.41100	NUT, SELF LOCKING M10	TUERCA AUTOBLOC. M10	
6	312.41121	NUT, SELF LOCKING M12 LOW	TUERCA AUTOBLOC. M12 BAJA	
7	313.12082	STUD M8 X 38 X 14 X 20	PRISIONERO M8 X 38 X 14 X 20	
8	314.11084	WASHER, FLAT 8.4	ARANDELA PLANA 8.4	
9	314.11104	WASHER P10.5 X 18	ARANDELA P10.5 X 18	
10	314.23084	WASHER, LOCK 8.4	ARANDELA DE RES. 8.4	
11	314.23130	WASHER, LOCK 13	ARANDELA DE RES. 13	
12	341.10030	PIN, COTTER A 3 X 20 UNI 1336	PASADOR A 3 X 20 UNI 1336	
13	341.10041	PIN, COTTER 4 X 25	PASADOR 4 X 25	
14	351.11040	CIRCLIP	SEEGER	
15	351.11052	CIRCLIP, INTERN D 52	SEEGER INT. D 52	
16	351.21017	CIRCLIP, EXTERN D 17	SEEGER EXT. D 17	
17	362.10062	V BELT A 78	CORREA TRAP. A 78	
18	371.12170	BEARING 17 X 40 X 12 6203 2RS	COJINETE 17 X 40 X 12 6203 2RS	
19	371.12250	BEARING 25 X 52 X 15 6205 2RS ST	COJINETE 25 X 52 X 15 6205 2RS ST	
20	523.48574	SHAFT WITH PULLEY	ARBOL CON POLEA	
21	531.48564	CASING, BLADE HOLDER	CUERPO PORTA CUCHILLOS	
22	532.48603	GUIDE PULLEY	POLEA	
23	551.02714	KNOB	MANILLAR	
24	552.48626	BUSH, CONTROL	CASQUILLO GUIA	
25	561.42110	PIN, COUPLING	PERNO ACOPLAMIENTO	
26	561.42314	WASHER 12.5 X 34 X 5	ROSETA 12.5 X 34 X 5	
27	<b>561.48391</b>	<b>DOOR ARM</b>	<b>BRAZO PORTA</b>	<b>27 - THIS DIRECT BOLT BRACKET REPLACES THE BOLT AND SPRING SET UP USED ON EARLIER UNITS.</b>
28	561.48556	HALF PROTECTION, RIGHT	SEMI PROTECCION DERECHO	
29	561.48557	KNIFE GUEARD	PROTECCION CUCHILLO	
30	561.48565	SPACER	SEPARADOR	
31	561.48625	ADJUSTMENT PIN	CLAVITA DE REGULACION	
32	563.48562	BLADE, LAWN MOWER L 362	CUCHILLO CORTACESPED L 362	
33	563.48597	WASHER	ARANDELA	
34	565.48619	PIN, ADJUSTMENT LEVER	PERNO PALANCA REGULACION	
35	580.50533	PIN	PASADOR	



ID	PART NO	DESCRIPTION	DENOMINACION	NOTES
36	590.48550	DECK, LAWN MOWER	LA BASE CORTACESPED	
37	590.48555	HALF PROTECTION, LEFT	SEMI PROTECCION IZQUIERDO	
38	590.48560	BAFFLE, REAR	DEFLECTOR POSTERIOR	
39	590.48578	IDLER	TIRANTE	
40	590.48612	AXLE, WHEELS	EJE RUEDAS	
41	590.48615	TIEROD	TIRANTE	
42	590.48618	DOOR, LATERAL	PORTEZUELA LATERAL	
43	590.48648	BLADE HOLDER HUB	CUBO PORTA CUCHILLOS	