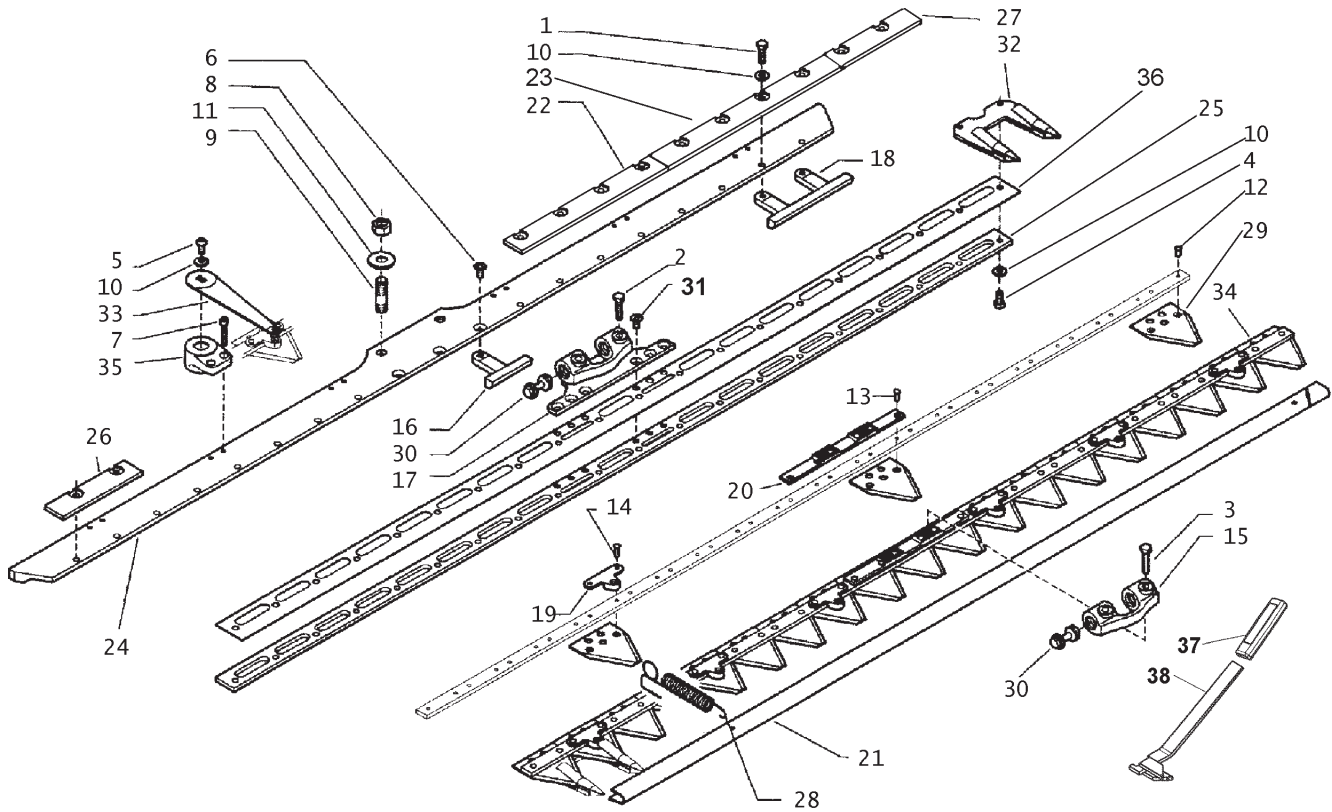




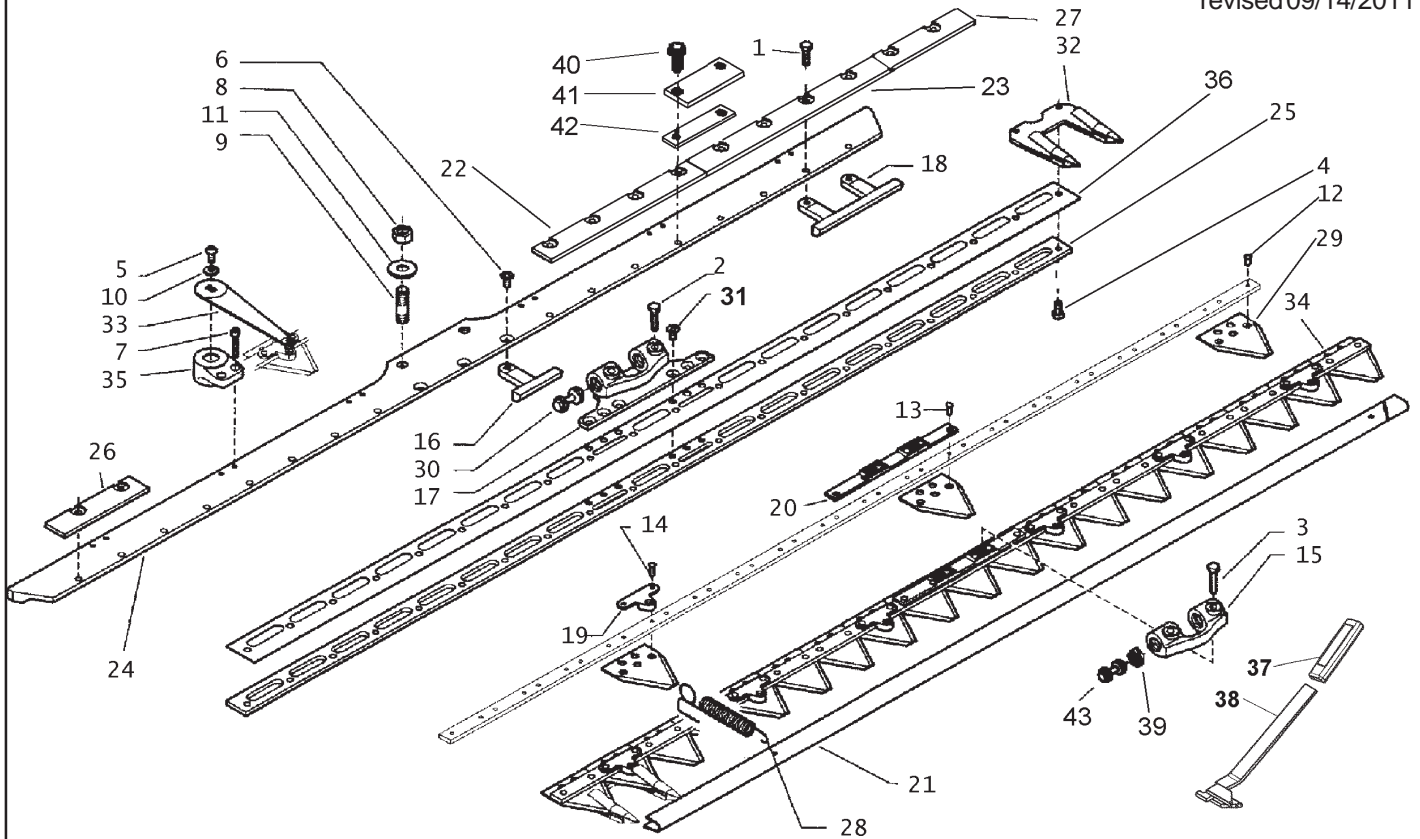
A M E R I C A



ID	PART NO	DESCRIPTION	ID	PART NO	DESCRIPTION
1	311.12150	CAPSCREW, M8X20	24A	563.58621	ROD CENTER 47"
2	311.12152	CAPSCREW, M8X30	24B	563.58582	ROD CENTER 59"
3	311.12153	CAPSCREW, M8X35	24C	563.58602	ROD CENTER 71"
4	311.13092	CAPSCREW, M8X1X15	25A	563.58622	STRIP 47"
5	311.21013	SCREW, M8X16	25B	563.58583	STRIP 59"
6	311.32565	SCREW, M8X16	25C	563.58603	STRIP 71"
7	311.52063	SCREW, M8X20	26A	563.58628	BLADE GUIDE 47"
8	312.21151	NUT, M14X1.5.6S	26B	563.58606	BLADE GUIDE 71"
9	313.12141	STUD, M14X1.5X48X12X20	27A	563.58628	BLADE GUIDE 47"
10	314.21083	WASHER, SUPER, M8	27B	563.58605	BLADE GUIDE 71"
11	314.21251	WASHER, SUPER, M14	28	580.27286	SPRING
12	331.25312	RIVET, 5.3X12	29	580.28096	KNIFE SECTION XL THICK
13	331.25314	RIVET, 5.3X14	30	580.46666	SCREW BLADE COUPLING
14	331.25316	RIVET, 5.3X16	31	580.58522	SCREW M8X1X14
15	521.46665	STEEL BLADE COUPLING	32	590.28930	FINGER COMPLETE
16	521.58580	GUIDE LOWER	33	590.58601	SPRING COMPLETE
17	521.58581	COUPLER XL COMB	34A	590.58625	BLADE COMPLETE 47"
18	521.58589	GUIDE LOWER	34B	590.58585	BLADE COMPLETE 59"
19	524.58599	COUPLER BLADE HOLDER	34C	590.58611	BLADE COMPLETE 71"
20	561.58613	KNIFE PLATE	35	592.58614	KNIFE GUIDE SUPPORT ASSEMBLY
21A	561.58627	GUARD, BLADE 47"	36A	563.58623	STRIP 47"
21B	561.58559	GUARD, BLADE 59"	36B	563.58584	STRIP 59"
21C	561.58626	GUARD, BLADE 71"	36C	563.58604	STRIP 71"
22	563.58578	LOW BLADE GUIDE INTERNAL	37	551.02714	GRIP
23	563.58579	LOW BLADE GUIDE INT. 59 & 71"	38	590.58593	TOOL

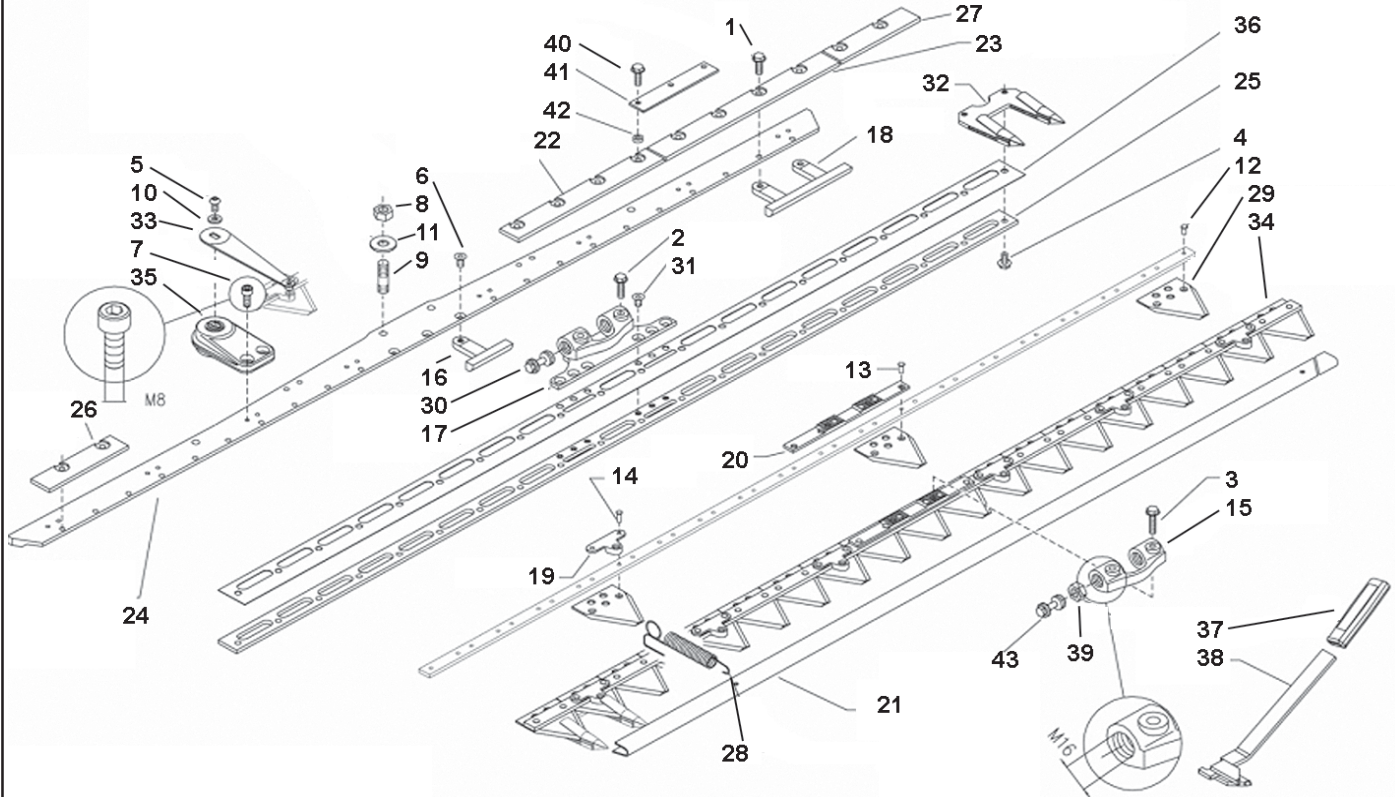
Note: Ref # 1 & 10 can be replaced by 311.12167

revised 09/14/2011

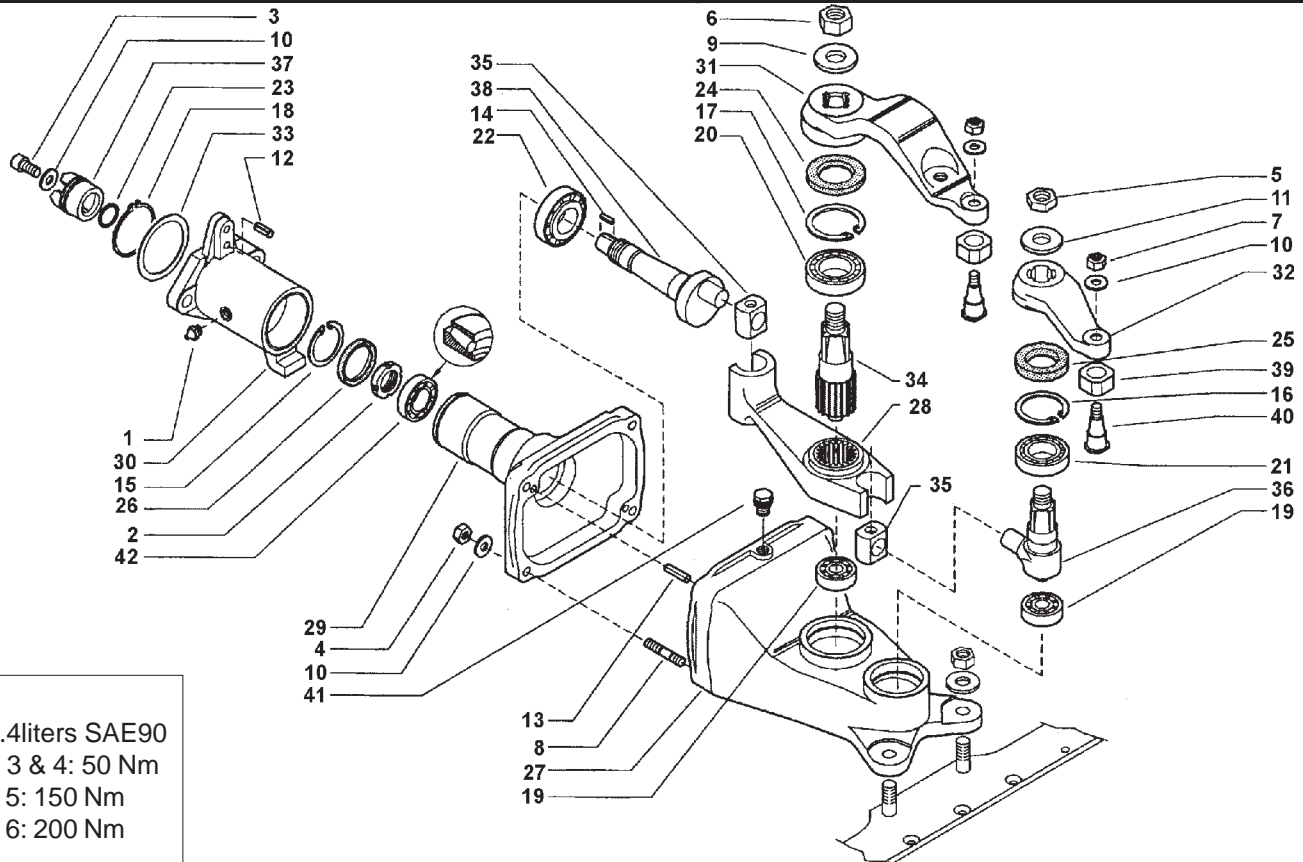


ID	PART NO	DESCRIPTION	ID	PART NO	DESCRIPTION
1	311.12170	SCREW	25A	563.58622	STRIP 47"
2	311.12167	SCREW	25B	563.58583	STRIP 59"
3	311.12165	SCREW	25C	563.58603	STRIP 71"
4	580.58659	SCREW	26A	563.58628	BLADE GUIDE 47"
5	311.21013	SCREW, M8X16	26B	563.58606	BLADE GUIDE 71"
6	311.32565	SCREW, M8X16	27A	563.58628	BLADE GUIDE 47"
7	311.52063	SCREW, M8X20	27B	563.58605	BLADE GUIDE 71"
8	312.21151	NUT, M14X1.5.6S	28	580.27286	SPRING
9	313.12141	STUD, M14X1.5X48X12X20	29	580.28096	KNIFE SECTION XL THICK
10	314.21083	SCREW	30	580.46666	BLADE COUPLING ADJUSTER
11	314.21251	WASHER, SUPER, M14	31	580.58522	SCREW M8X1X14
12	331.25312	RIVET, 5.3X12	32	590.28930	FINGER COMPLETE
13	331.25314	RIVET, 5.3X14	33	590.58601	SPRING COMPLETE
14	331.25316	RIVET, 5.3X16	34A	590.58625	BLADE COMPLETE 47"
15	521.58660	STEEL BLADE COUPLING	34B	590.58585	BLADE COMPLETE 59"
16	521.58580	GUIDE LOWER	34C	590.58611	BLADE COMPLETE 71"
17	521.58581	COUPLER XL COMB	35	592.58614	KNIFE GUIDE SUPPORT ASSEMBLY
18	521.58589	GUIDE LOWER	36A	563.58623	STRIP 47"
19	524.58629	COUPLER BLADE HOLDER	36B	563.58584	STRIP 59"
20	561.58613	KNIFE PLATE	36C	563.58604	STRIP 71"
21A	561.58627	GUARD, BLADE 47"	37	551.02714	GRIP
21B	561.58559	GUARD, BLADE 59"	38	590.58593	TOOL
21C	561.58626	GUARD, BLADE 71"	39	580.58661	BUSHING, M16x1.5
22	563.58578	LOW BLADE GUIDE INTERNAL	40	311.12167	SCREW
23	563.58579	LOW BLADE GUIDE INT. 59 & 71"	41A	563.27723	PLATE
24A	563.58621	ROD CENTER 47"	41B	563.28715	PLATE 47" ONLY
24B	563.58582	ROD CENTER 59"	42A	561.28716	PLATE
24C	563.58602	ROD CENTER 71"	42B	561.28717	PLATE 47" ONLY
			43	580.58622	BLADE COUPLING ADJUSTER

revised 09/14/2011

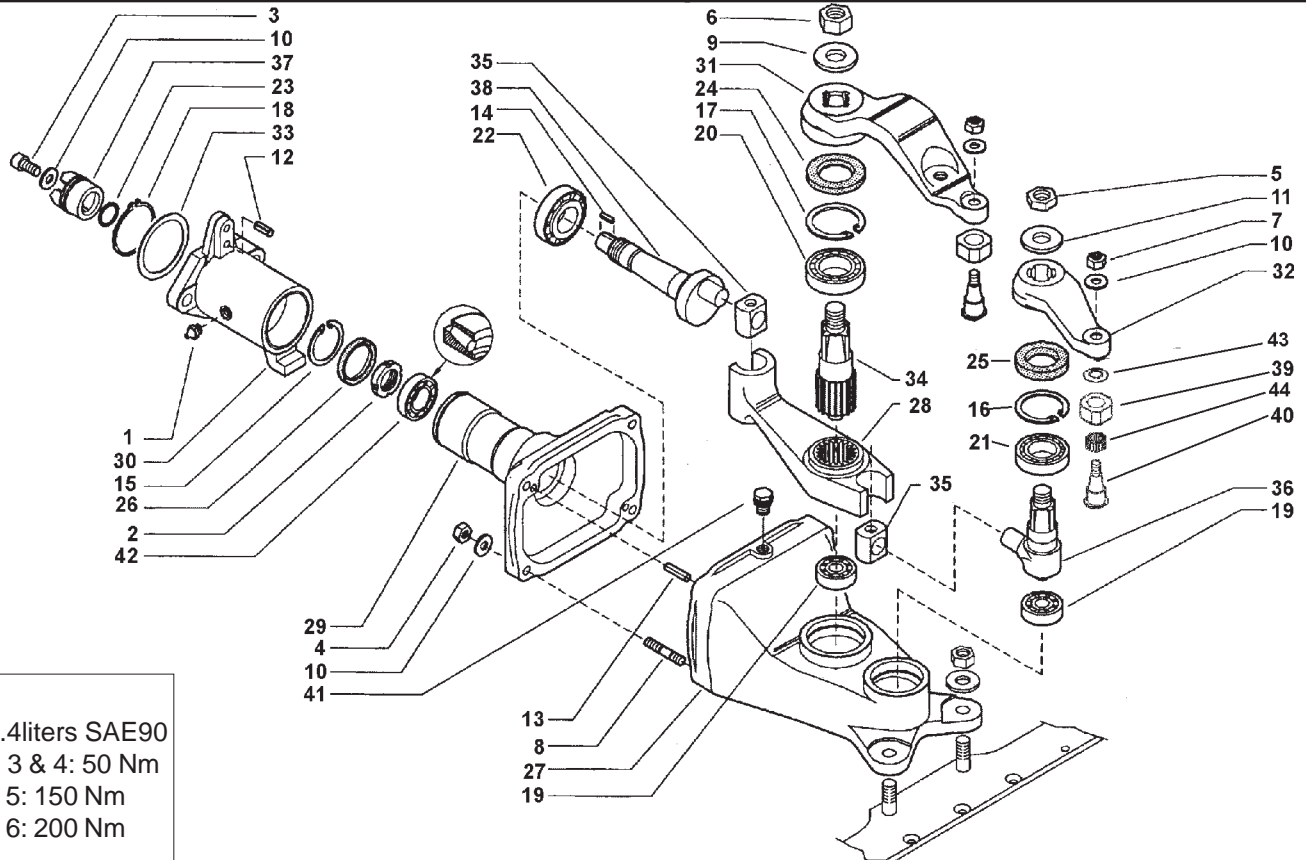


ID	PART NO	DESCRIPTION	ID	PART NO	DESCRIPTION
1	311.12170	SCREW	25A	563.58622	STRIP 47"
2	311.12167	SCREW	25B	563.58583	STRIP 59"
3	311.12165	SCREW	25C	563.58603	STRIP 71"
4	580.58659	SCREW	26A	563.58628	BLADE GUIDE 47"
5	311.21013	SCREW, M8X16	26B	563.58606	BLADE GUIDE 71"
6	311.32565	SCREW, M8X16	27A	563.58628	BLADE GUIDE 47"
7	311.52077	SCREW	27B	563.58605	BLADE GUIDE 71"
8	312.21151	NUT, M14X1.5.6S	28	580.27286	SPRING
9	313.12141	STUD, M14X1.5X48X12X20	29	580.28096	KNIFE SECTION XL THICK
10	314.21083	SCREW	30	580.46666	BLADE COUPLING ADJUSTER
11	314.21251	WASHER, SUPER, M14	31	580.58522	SCREW M8X1X14
12	331.25312	RIVET, 5.3X12	32	590.28930	FINGER COMPLETE
13	331.25314	RIVET, 5.3X14	33	590.58601	SPRING COMPLETE
14	331.25316	RIVET, 5.3X16	34A	590.58625	BLADE COMPLETE 47"
15	521.58660	STEEL BLADE COUPLING	34B	590.58585	BLADE COMPLETE 59"
16	521.58580	GUIDE LOWER	34C	590.58611	BLADE COMPLETE 71"
17	521.58581	COUPLER XL COMB	35	592.58715	KNIFE GUIDE SUPPORT ASSEMBLY
18	521.58589	GUIDE LOWER	36A	563.58623	STRIP 47"
19	524.58629	COUPLER BLADE HOLDER	36B	563.58584	STRIP 59"
20	561.58613	KNIFE PLATE	36C	563.58604	STRIP 71"
21A	561.58627	GUARD, BLADE 47"	37	551.02714	GRIP
21B	561.58559	GUARD, BLADE 59"	38	590.58593	TOOL
21C	561.58626	GUARD, BLADE 71"	39	580.58661	BUSHING, M16x1.5
22	563.58578	LOW BLADE GUIDE INTERNAL	40	311.12167	SCREW
23	563.58579	LOW BLADE GUIDE INT. 59 & 71"	41A	563.58733	PLATE
24A	563.58729	RODCENTER 47"	41B	563.58734	PLATE 47" ONLY
24B	563.58730	RODCENTER 59"	42	563.58738	PLATE
24C	563.58731	RODCENTER 71"	43	580.58662	BLADE COUPLING ADJUSTER



Note:
Oil: 1.4liters SAE90
Ref # 3 & 4: 50 Nm
Ref # 5: 150 Nm
Ref # 6: 200 Nm

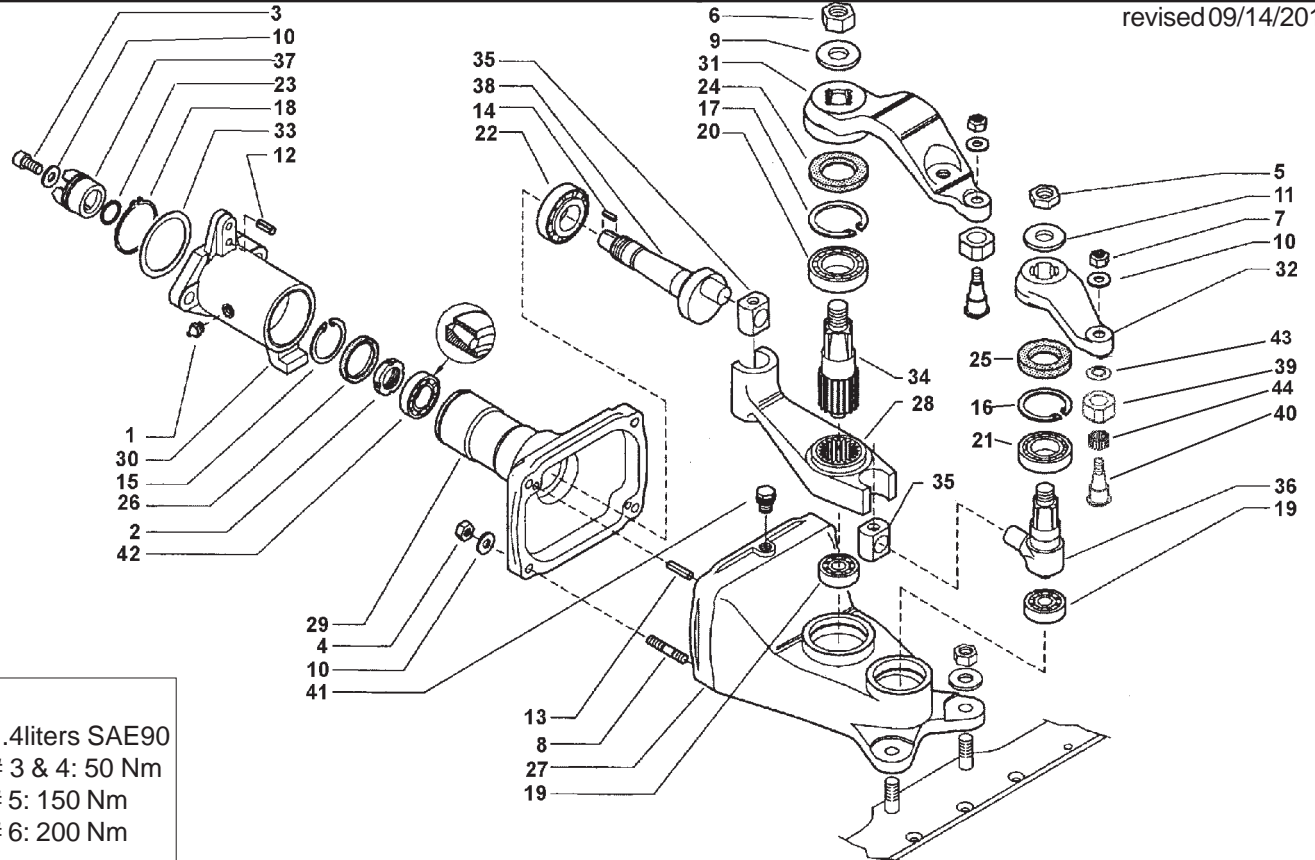
ID	PART NO	DESCRIPTION	ID	PART NO	DESCRIPTION
1	300.00001	GREASE ZERK	26	382.13801	OIL SEAL, M38X50X7
2	300.90251	NUTRING, M25X1.5	27	513.58500	BLADE CONTROL BOX
3	311.52098	SCREW, M10X20	28	513.58503	CRANK INSIDE
4	312.11100	NUT, M10	29	513.58546	DRIVE SUPPORT F/DUPLEX
5	312.31181	NUT, M18X1.5	30	513.58963	SHORT BAR CONTROL BUSHING
6	312.31184	NUT, M20	31	523.58612	CRANK CONTROL UPPER
7	312.41105	LOCKNUT, M10, DEFORMED	32	523.58587	CRANK CONTROL LOWER
8	313.12114	STUD, M10X50X22X14	33	563.58964	SPACER RING 1.5 THICK
9	314.21060	WASHER, SUPER, M20	34	564.46702	SHAFT CONNECTING ROD
10	314.21101	WASHER, SUPER, M10	35	564.58506	BARREL
11	314.21253	WASHER, SUPER, M18	36	564.58541	CONTROL SHAFT COMB
12	342.11087	PIN, SPLIT, M8X20	37	564.58557	COUPLING CONICAL 3 TOOTH
13	342.21080	PIN, SPLIT, M8X30	38	564.58558	SHAFT
14	343.21072	KEY, 5X3X15	39	564.58615	BUSHING
15	351.11050	SNAP RING, D50	40	564.58616	PIN FOR BLADE
16	351.11055	SNAP RING, INTERNAL D 55	41	590.51045	OIL PLUG
17	351.11062	SNAP RING, INTERNAL D 62	42	F0812705000	BEARING, 32005 25X47X15
18	351.21060	CIRCLIP, D 60			
19	371.11152	BEARING, M15X42X13			
20	371.11349	BEARING, M35X62X14			
21	371.12229	BEARING, M30X55X13			
22	372.21300	BEARING, M30X62X17.25			
23	381.12200	O-RING			
24	382.02499	OIL SEAL, 35X62X7			
25	382.13008	OIL SEAL, 30X55X10 BAUSL			



Note:
Oil: 1.4liters SAE90
Ref # 3 & 4: 50 Nm
Ref # 5: 150 Nm
Ref # 6: 200 Nm

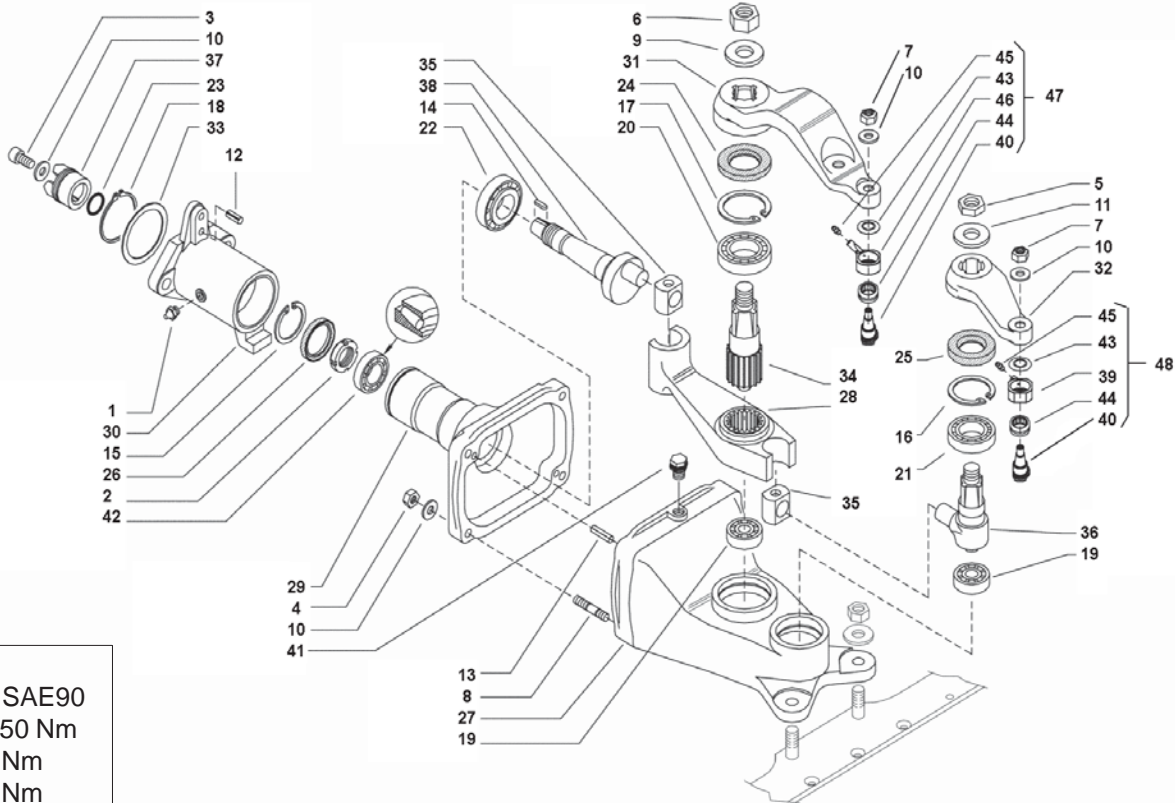
ID	PART NO	DESCRIPTION	ID	PART NO	DESCRIPTION
1	300.00001	GREASE ZERK	26	382.13801	OIL SEAL, M38X50X7
2	300.90251	NUTRING, M25X1.5	27	513.58500	BLADE CONTROL BOX
3	311.52098	SCREW, M10X20	28	513.58503	CRANK INSIDE
4	312.11100	NUT, M10	29	513.58546	DRIVE SUPPORT F/DUPLEX
5	312.31181	NUT, M18X1.5	30	513.58963	SHORT BAR CONTROL BUSHING
6	312.31184	NUT, M20	31	523.58612	CRANK CONTROL UPPER
7	312.41105	LOCKNUT, M10 DEFORMED	32	523.58587	CRANK CONTROL LOWER
8	313.12114	STUD, M10X50X22X14	33	563.58964	SPACER RING 1.5 THICK
9	314.21060	WASHER, SUPER, M20	34	564.46702	SHAFT CONNECTING ROD
10	314.21101	WASHER, SUPER, M10	35	564.58506	BARREL
11	314.21253	WASHER, SUPER, M18	36	564.58541	CONTROL SHAFT COMB
12	342.11087	PIN, SPLIT, M8X20	37	564.58557	COUPLING CONICAL 3 TOOTH
13	342.21080	PIN, SPLIT, 8X30	38	564.58558	SHAFT
14	343.21072	KEY, 5X3X15	39	564.58641	BUSHING
15	351.11050	SNAP RING, D50	40	564.58642	BLADE PIN
16	351.11055	SNAP RING, INTERNAL D 55	41	590.51045	OIL PLUG
17	351.11062	SNAP RING, INTERNAL D 62	42	F0812705000	BEARING, 32005 25X47X15
18	351.21060	CIRCLIP, D 60	43	571.58640	SHIM
19	371.11152	BEARING, M15X42X13	44	373.20223	BEARING
20	371.11349	BEARING, M35X62X14			
21	371.12229	BEARING, M30X55X13			
22	372.21300	BEARING, M30X62X17.25			
23	381.12200	O-RING			
24	382.02499	OIL SEAL, M35X62X7			
25	382.13008	OIL SEAL, M30X55X10 BAUSL			

revised 09/14/2011



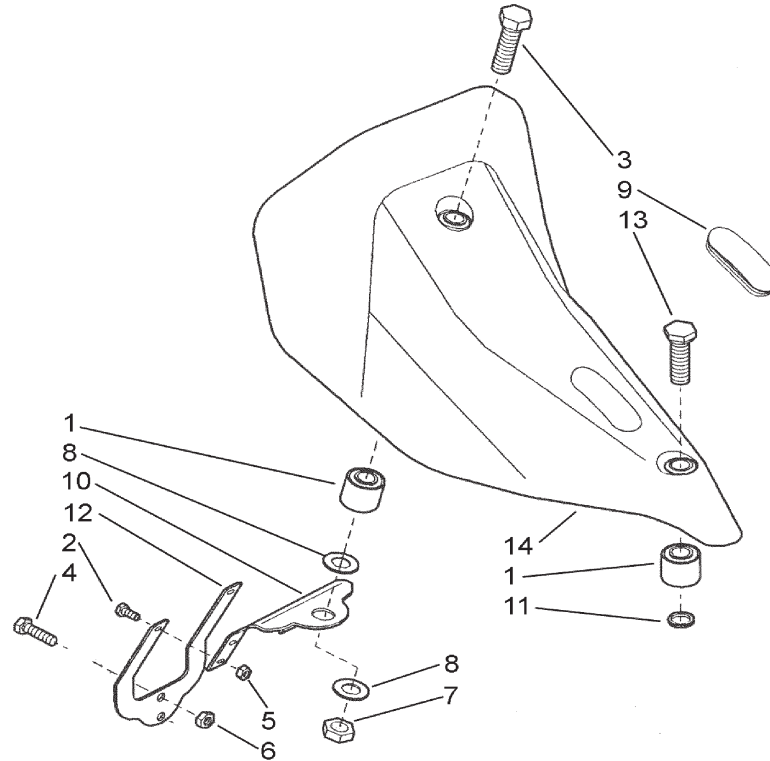
Note:
Oil: 1.4liters SAE90
Ref # 3 & 4: 50 Nm
Ref # 5: 150 Nm
Ref # 6: 200 Nm

ID	PART NO	DESCRIPTION	ID	PART NO	DESCRIPTION
1	300.00001	GREASE ZERK	26	382.13801	OIL SEAL, 38X50X7
2	300.90251	NUT RING, M25X1.5	27	513.58500	BLADE CONTROL BOX
3	311.52098	SCREW, M10X20	28	513.58503	CRANK INSIDE
4	312.11100	NUT, M10	29	513.58546	DRIVE SUPPORT F/DUPLEX
5	580.35250	NUT, M18	30	513.58963	SHORT BAR CONTROL BUSHING
6	580.58658	NUT, M20	31	523.58612	CRANK CONTROL UPPER
7	312.41105	LOCKNUT, M10, DEFORMED	32	523.58587	CRANK CONTROL LOWER
8	313.12114	STUD, M10X50X22X14	33	563.58964	SPACER RING, 1.5 THICK
9	314.21060	WASHER, SUPER, M20	34	564.46702	SHAFT CONNECTING ROD
10	314.21101	WASHER, SUPER, M10	35	564.58506	BARREL
11	314.21253	WASHER, SUPER, M18	36	564.58541	CONTROL SHAFT COMB
12	342.11087	PIN, SPLIT, M8X20	37	564.58557	COUPLING CONICAL 3 TOOTH
13	342.21080	PIN, SPLIT, 8X30	38	564.58558	SHAFT
14	343.21072	KEY, 5X3X15	39	564.58641	BUSHING
15	351.11050	SNAP RING, D50	40	564.58642	BLADE PIN
16	351.11055	SNAP RING, INTERNAL D 55	41	590.51045	OIL PLUG
17	351.11062	SNAP RING, INTERNAL D 62	42	F0812705000	BEARING, 320055X47X15
18	351.21060	CIRCLIP, D 60	43	571.58640	SHIM
19	371.11152	BEARING, 15X42X13	44	373.20223	BEARING
20	371.11349	BEARING, 35X62X14			
21	371.12229	BEARING, 30X55X13			
22	372.21300	BEARING, 30X62X17.25			
23	381.12200	O-RING			
24	382.02499	OIL SEAL, 35X62X7			
25	382.13008	OIL SEAL, 30X55X10 BAUSL			



Note:
Oil: 1.4liters SAE90
Ref # 3 & 4: 50 Nm
Ref # 5: 150 Nm
Ref # 6: 200 Nm

ID	PART NO	DESCRIPTION	ID	PART NO	DESCRIPTION
1	300.00001	GREASE ZERK	26	382.13801	OIL SEAL, 38X50X7
2	300.90251	NUTRING, M25X1.5	27	513.58500	BLADE CONTROL BOX
3	311.52098	SCREW, M10X20	28	513.58503	CRANK INSIDE
4	312.11100	NUT, M10	29	513.58546	DRIVE SUPPORT F/DUPLEX
5	580.35250	NUT, M18	30	513.58963	SHORT BAR CONTROL BUSHING
6	580.58658	NUT, M20	31	523.58612	CRANK CONTROL UPPER
7	312.41105	LOCKNUT, M10, DEFORMED	32	523.58587	CRANK CONTROL LOWER
8	313.12114	STUD, M10X50X22X14	33	563.58964	SPACER RING, 1.5 THICK
9	314.21060	WASHER, SUPER, M20	34	564.46702	SHAFT CONNECTING ROD
10	314.21101	WASHER, SUPER, M10	35	564.58506	BARREL
11	314.21253	WASHER, SUPER, M18	36	564.58541	CONTROL SHAFT COMB
12	342.11087	PIN, SPLIT, M8X20	37	564.58557	COUPLING CONICAL 3 TOOTH
13	342.21080	PIN, SPLIT, 8X30	38	564.58558	SHAFT
14	343.21072	KEY, 5X3X15	39	524.58725	BUSHING
15	351.11050	SNAP RING, D50	40	564.58727	BLADE PIN
16	351.11055	SNAP RING, INTERNAL D 55	41	590.51045	OIL PLUG
17	351.11062	SNAP RING, INTERNAL D 62	42	F0812705000	BEARING, 32005 5X47X15
18	351.21060	CIRCLIP, D60	43	571.58640	SHIM
19	371.11152	BEARING, 15X42X13	44	373.12200	BEARING
20	371.11349	BEARING, 35X62X14	45	300.00008	GREASE ZERK
21	371.12229	BEARING, 30X55X13	46	524.58726	DRIVE BUSHING
22	372.21300	BEARING, 30X62X17.25	47	592.58672	DRIVE PIN COMPLETE (INC REF#45)
23	381.12200	O-RING	48	592.58673	DRIVE PIN COMPLETE
24	382.02499	OIL SEAL, 35X62X7			
25	382.13008	OIL SEAL, 30X55X10 BAUSL			



ID	PART NO	DESCRIPTION	ID	PART NO	DESCRIPTION
1	300.10144	RUBBER MOUNT, M14X60X25X28			
2	311.11091	CAPSCREW, M6X14			
3	311.11331	CAPSCREW, M14X50			
4	311.12152	CAPSCREW, M8X30			
5	312.41060	LOCKNUT, M6 STANDARD			
6	312.41080	LOCKNUT, M8 STANDARD			
7	312.41140	LOCKNUT, M14 LOW			
8	314.23150	WASHER, LOCK			
9	551.43495	PLUG OVAL PROTECTION			
10	563.58563	COUPLER UPPER			
11	563.58566	WASHER, M15X20X2.5			
12	563.59180	COUPLING LOWER			
13	580.58562	SCREW SPECIAL, M14X45			
14	592.58592	HOOD, CUTTER BAR DRY TRAN			