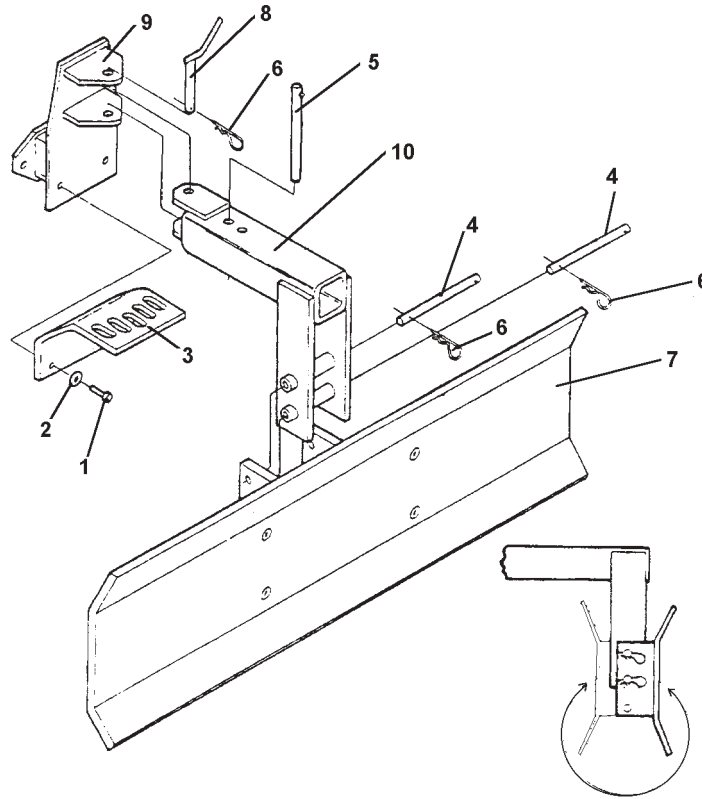




A M E R I C A



ID	PARTNO	DESCRIPTION	DENOMINACION	NOTES
1	311.12264	SCREW	TORNILLO	
2	314.21130	FLAT WASHER	ARANDELA PLANA	
3	561.58302	ANGLE BRACKET	SOPORTE	
4	561.58305	PIN, BLADE	PERNO, CUCHILLO	
5	561.58306	PIN, ANGLE BRACKET	PERNO, SOPORTE	
6	580.02052	HAIR PIN	PERNO	
7	590.58304	BLADE	CUCHILLO	
8	590.48697	PIN, HITCH	PERNO	
9	590.58300	MOUNTING BRACKET	SOPORTE	
10	590.58303	FRAME	SOPORTE	