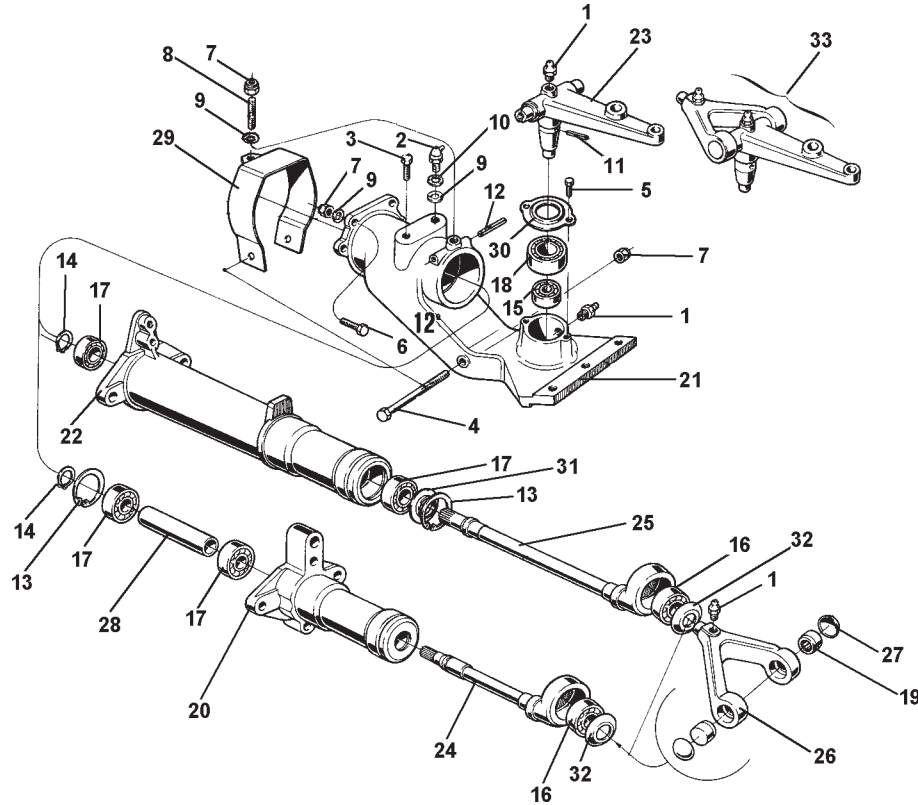
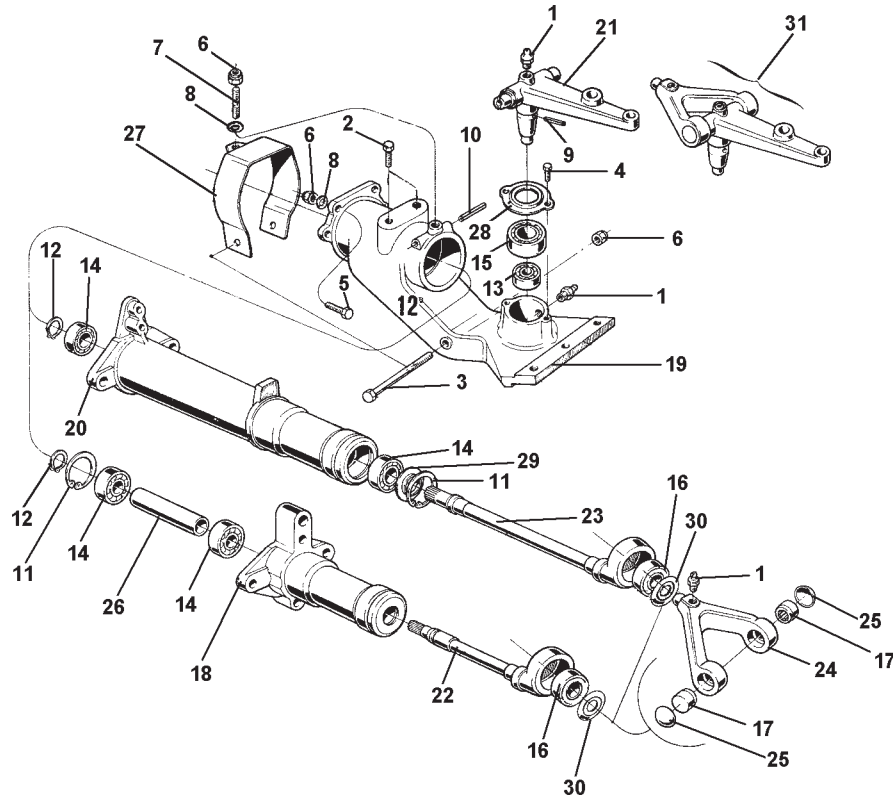




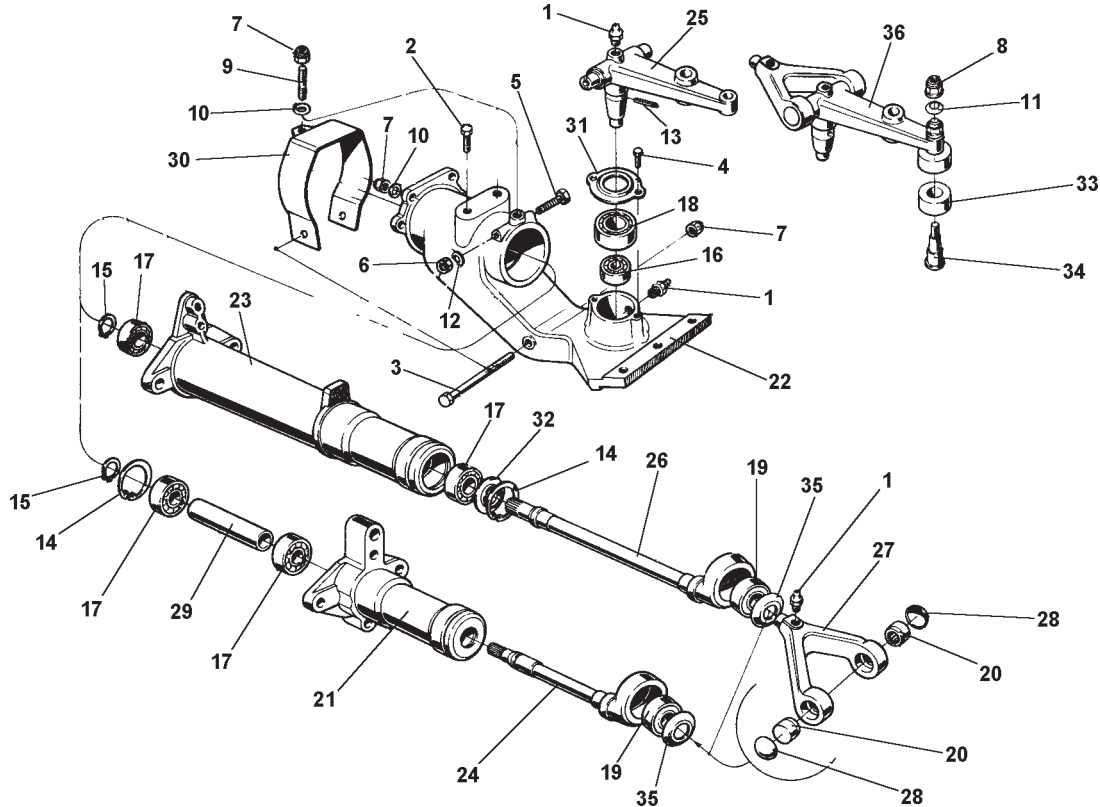
A M E R I C A



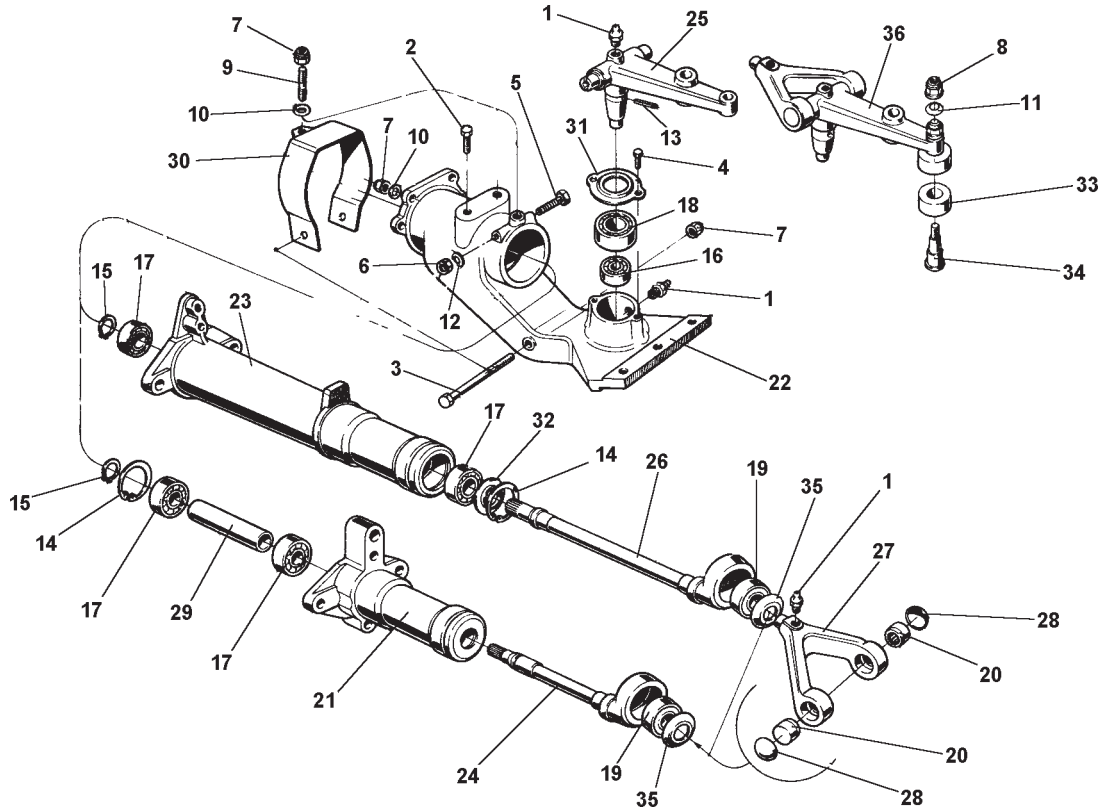
ID	PARTNO	DESCRIPTION	DENOMINACION	NOTES
1	300.00001	LUBRICATOR M10	ENGRASADOR M10	
2	300.00002	LUBRICATOR ANGLE M8	ENGRASADOR INCLINADO M8	
3	311.11150	SCREW TE M8 X 12	TORNILLO TE M8 X 12	
4	311.11165	SCREW TE M8 X 100	TORNILLO TE M8 X 100	
5	311.12090	SCREW TE M6 X 16	TORNILLO TE M6 X 16	
6	311.12151	SCREW M8 X 25	TORNILLO M8 X 25	
7	312.41080	NUT, SELF LOCKING M8	TUERCA AUTOBLOC. M8	
8	313.12076	STUD	PRISIONERO	
9	314.11084	WASHER, FLAT 8.4	ARANDELA PLANA 8.4	
10	314.31084	WASHER, LOCK AW 8.4	ARANDELA DE RES. AW 8.4	
11	342.11041	PIN, LOCKING 4 X 35	ESPINA DE RES. 4 X 35	
12	342.13066	LOCKING PIN 6 X 60	ESPINA DE RES. 6 X 60	
13	351.11047	CIRCLIP, INTERN. D 47	SEEGER INT. D 47	
14	351.21020	CIRCLIP, EXTERN. D 20	SEEGER EXT. D 20	
15	371.11150	BEARING 15 X 35 X 11 6202	COJINETE 15 X 35 X 11 6202	
16	371.11202	BEARING 20 X 52 X 15 6304	COJINETE 20 X 52 X 15 6304	
17	371.12200	BEARING 20 X 47 X 14 6204 2RS ST	COJINETE 20 X 47 X 14 6204 2RS ST	
18	371.12249	BEARING	COJINETE	
19	373.32001	BUSH PIT VIOL 44855000	CASQUILLO PIT VIOL 44855000	
20	512.43501	BUSHING WITH FLANGE	CASQUILLO CON BRIDA	
21	512.43512	BAR SUPPORT	SOPORTE BARRA	
22	512.49390	BUSHING	CASQUILLO	
23	524.48502	REINFORCED BALDE CRANK	MANIVELA CUCHILLA REFORCADA	
24	524.48512	ECCENTRIC SHAFT	ARBOL EXCENTRICO	
25	524.49392	LONG ECCENTRIC SHAFT	ARBOL EXCENTRICO LUNGO	
26	524.48510	FORK	HORQUILLA REFORCADA	
27	561.43497	BOTTOM	FONDO	
28	561.43506	SPACER	SEPARADOR	
29	561.43507	ECCENTRIC PROTECTION	PROTECCION EXCENTRICO	
30	561.43516	COVER, BEARING	TAPA COJINETE	
31	561.49389	GUARD END	TAPON PROTECCION	
32	571.40533	END, LOWER	TAPON INFERIOR	
33	590.48501	CRANK WITH FORK	PALANCA CON HORQUILLA	



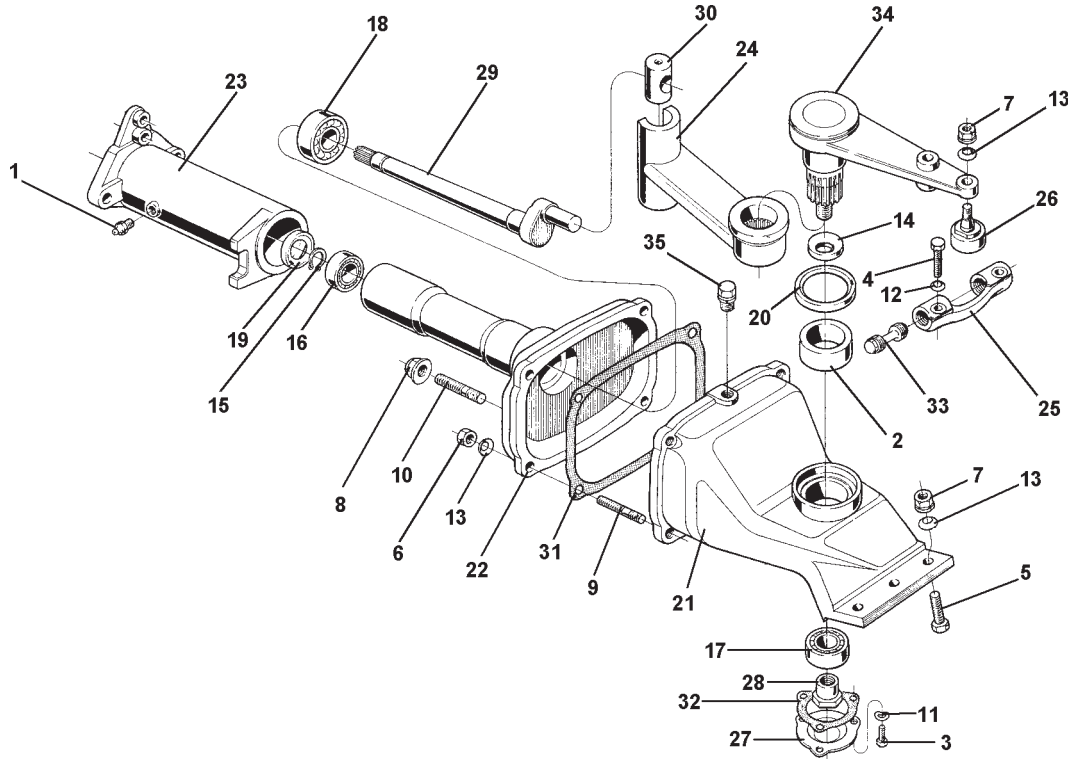
ID	PART NO	DESCRIPTION	DENOMINACION	NOTES
1	300.00001	LUBRICATOR M10	ENGRASADOR M10	
2	311.11150	SCREW TE M8 X 12	TORNILLO TE M8 X 12	
3	311.11165	SCREW TE M8 X 100	TORNILLO TE M8 X 100	
4	311.12090	SCREW TE M6 X 16	TORNILLO TE M6 X 16	
5	311.12151	SCREW M8 X 25	TORNILLO M8 X 25	
6	312.41080	NUT, SELF LOCKING M8	TUERCA AUTOBLOC. M8	
7	313.12076	STUD	PRISIONERO	
8	314.11084	WASHER, FLAT 8.4	ARANDELA PLANA 8.4	
9	342.11041	PIN, LOCKING 4 X 35	ESPIÑA DE RES. 4 X 35	
10	342.13066	LOCKING PIN 6 X 60	ESPIÑA DE RES. 6 X 60	
11	351.11047	CIRCLIP, INTERN. D 47	SEEGER INT. D 47	
12	351.21020	CIRCLIP, EXTERN. D 20	SEEGER EXT. D 20	
13	371.11150	BEARING 15 X 35 X 11 6202	COJINETE 15 X 35 X 11 6202	
14	371.12200	BEARING 20 X 47 X 14 6204 2RS ST	COJINETE 20 X 47 X 14 6204 2RS ST	
15	371.12253	BEARING	COJINETE	
16	371.13201	BEARING	COJINETE	
17	373.32001	BUSH PIT VIOL 44855000	CASQUILLO PIT VIOL 44855000	
18	512.43501	BUSHING WITH FLANGE	CASQUILLO CON BRIDA	
19	512.43512	BAR SUPPORT	SOPORTE BARRA	
20	512.49390	BUSHING	CASQUILLO	
21	524.48502	REINFORCED BLADE CRANK	MANIVELA CUCHILLA REFORCADA	
22	524.48512	ECCENTRIC SHAFT	ARBOL EXCENTRICO	
23	524.49392	LONG ECCENTRIC SHAFT	ARBOL EXCENTRICO LUNGO	
24	525.48510	FORK	HORQUILLA REFORCADA	
25	561.43497	BOTTOM	FONDO	
26	561.43506	SPACER	SEPARADOR	
27	561.43507	ECCENTRIC PROTECTION	PROTECCION EXCENTRICO	
28	561.43516	COVER, BEARING	TAPA COJINETE	
29	561.49389	GUARD END	TAPON PROTECCION	
30	571.40533	END, LOWER	TAPON INFERIOR	
31	590.48501	CRANK WITH FORK	PALANCA CON HORQUILLA	



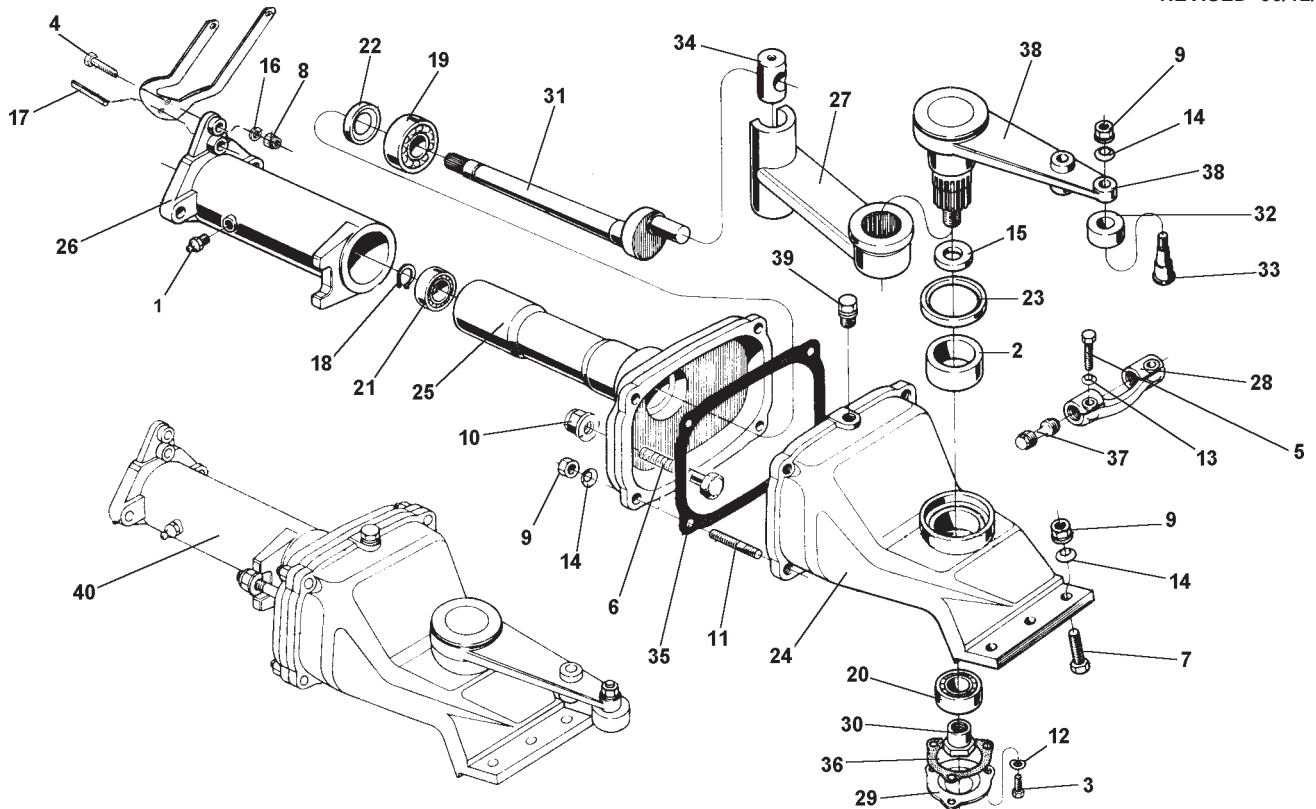
ID	PARTNO	DESCRIPTION	DENOMINACION	NOTES
1	300.00001	GREASE ZIRT M10	ENGRASADOR M10	
2	311.11150	SCREW TE M8 X 12	TORNILLO TE M8 X 12	
3	311.11165	SCREW TE M8 X 100	TORNILLO TE M8 X 100	
4	311.12090	SCREW TE M6 X 16	TORNILLO TE M6 X 16	
5	311.12097	SCREW TE M6 X 70	TORNILLO TE M6 X 70	
6	312.41060	NUT, SELF LOCKING M6	TUERCA AUTOBLOC. M6	
7	312.41080	NUT, SELF LOCKING M8	TUERCA AUTOBLOC. M8	
8	312.41105	NUT, SELF LOCKING	TUERCA AUTOBLOC.	
9	313.12076	STUD	PRISIONERO	
10	314.11084	WASHER, FLAT 8.4	ARANDELA PLANA 8.4	
11	314.21101	SUPER WASHER 10	SUPER ARANDELA 10	
12	314.24064	LOCK WASHER 6.4	ARANDELA DE RES. 6.4	
13	342.11041	PIN, LOCKING 4 X 35	ESPINA DE RES. 4 X 35	
14	351.11047	CIRCLIP, INTERNAL D 47	SEEGER INT. D 47	
15	351.21020	CIRCLIP, EXTERNAL D 20	SEEGER EXT. D 20	
16	371.11150	BEARING 15 XZ 35 X 11 6202	COJINETE 15 X 35 X 11 6202	
17	371.12200	BEARING 20 X 47 X 14 6204 2RS	COJINETE 20 X 47 X 14 6204 2RS	
18	371.12253	BEARING	COJINETE	
19	371.13201	BEARING	COJINETE	
20	373.32001	BUSHING PIT VIO 44855000	CASQUILLO PIT VIOL 44855000	
21	512.43501	BUSHING WITH FLANGE	CASQUILLO CON BRIDA	
22	512.43512	BAR SUPPORT	SOPORTE BARRA	
23	512.49390	SHAFT HOUSING	CASQUILLO	
24	524.48512	ECCENTRIC SHAFT	ARBOL EXCENTRICO	
25	524.48966	BLADE CRANK	MANIVELA CUCHILLA	
26	524.49392	LONG ECCENTRIC SHAFT	ARBOL EXCENTRICO LUNGO	
27	525.48510	FORK	HORQUILLA REFORCADA	
28	561.43497	BOTTOM	FONDO	
29	561.43506	SPACER	SEPARADOR	
30	561.43507	ECCENTRIC PROTECTION	PROTECCION EXCENTRICO	
31	561.43516	COVER, BEARING	TAPA COJINETE	
32	561.49389	GUARD END	TAPON PROTECCION	
33	564.46667	BLADE BUSHING	CASQUILLO CUCHILLO	
34	564.46668	BLADE PIN	PERNO CUCHILLO	
35	571.40533	END, LOWER	TAPON INFERIOR	



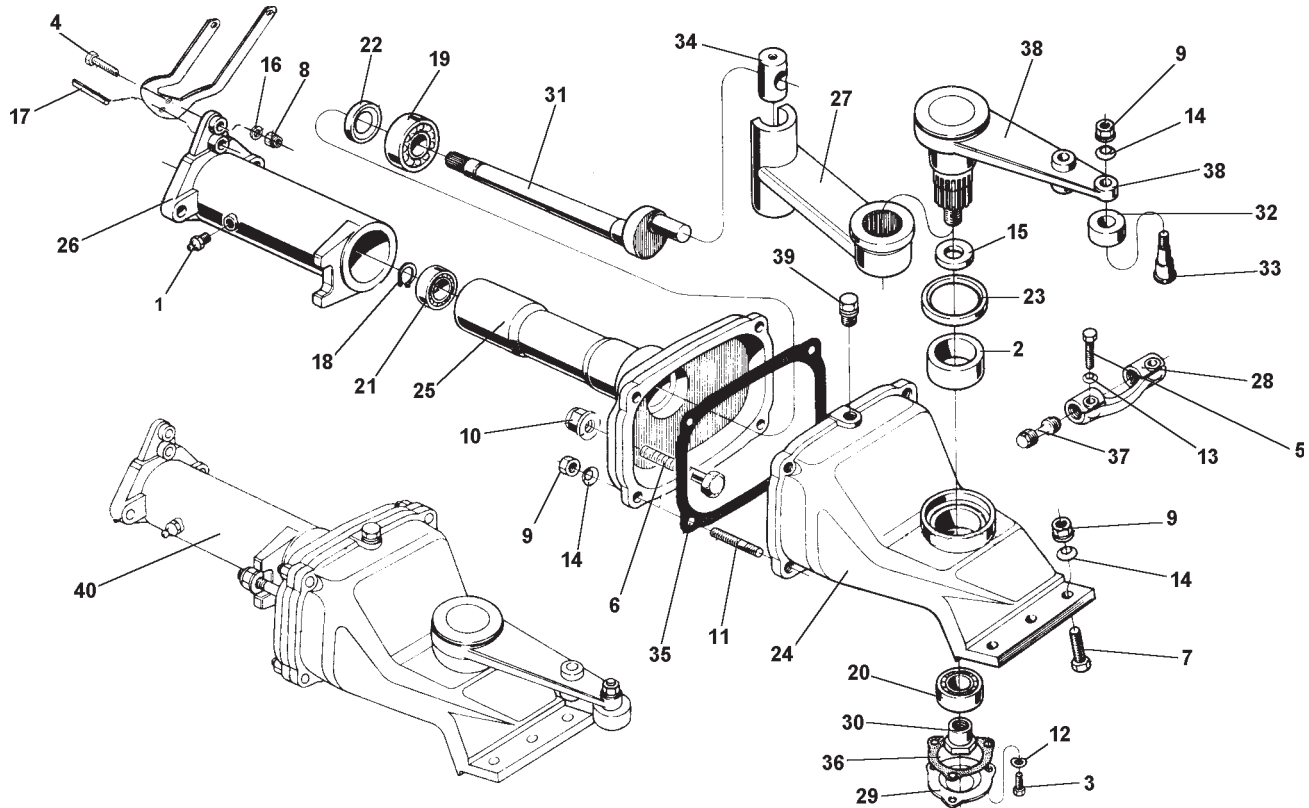
ID	PART NO	DESCRIPTION	DENOMINACION	NOTES
36	590.48965	CRANK WITH FORK	MANIVELA CON HORQUILLA	



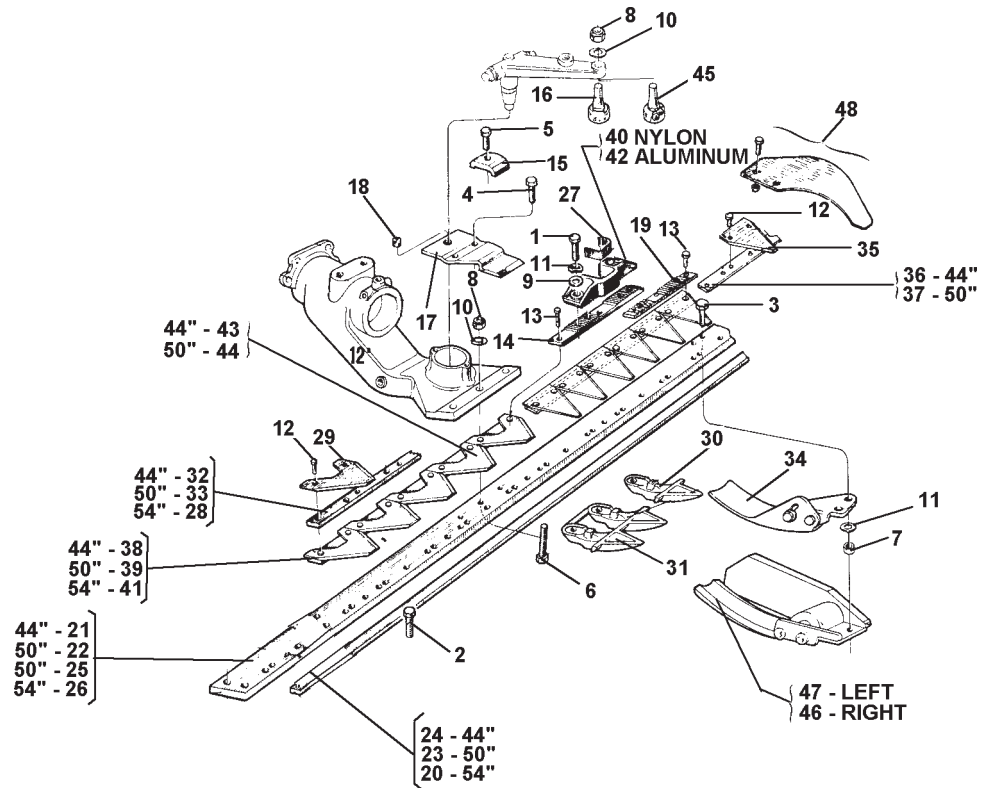
ID	PARTNO	DESCRIPTION	DENOMINACION	NOTES
1	300.00001	LUBRICATOR M10	ENGRASADOR M10	
2	300.30050	BUSHING	CASQUILLO	
3	311.12082	SCREW M6 X 12	TORNILLO M6 X 12	
4	311.12153	SCREW M8 X 35	TORNILLO M8 X 35	
5	311.13097	SCREW	TORNILLO	
6	312.11100	NUT M10	TUERCA M10	
7	312.41105	SELF LOCKING NUT	TUERCA AUTOBLOQUEANTE	
8	312.41123	NUT	TUERCA	
9	313.12099	STUD	PRISIONERO	
10	313.12118	STUD M12 X 50 X 30 X 15 8G	PRISIONERO M12 X 50 X 30 X 15 8G	
11	314.21064	SUPER WASHER 6 DIN 6796	SUPER ARANDELA 6 DIN 6796	
12	314.21083	SUPER WASHER 8 DIN 6796	SUPER ARANDELA 8 DIN 6796	
13	314.21101	SUPER WASHER 10 DIN 6796	SUPER ARANDELA 10 DIN 6796	
14	314.21253	SUPER WASHER 18 DIN 6796	SUPER ARANDELA 18 DIN 6796	
15	351.21020	CIRCLIP EXTERN. D 20	SEEGER EXTERN. D 20	
16	371.11200	BEARING 20 X 42 X 12 6004	COJINETE 20 X 42 X 12 6004	
17	371.11255	BEARING 25 X 52 X 16 6205	COJINETE 25 X 52 X 15 6205	
18	371.11251	BEARING 25 X 62 X 17 6305	COJINETE 25 X 62 X 17 6305	
19	382.12003	SEAL, OIL 20 X 42 X 7 STANDARD	CHAPA RET. AC. 20 X 42 X 7 NORM.	
20	382.15501	OIL SEAL	CHAPA RET. ACEITE	
21	513.46650	BLADE CONTROL BOX	CAJA MANDA CUCHILLA	
22	513.46651	BAR CONTROL SUPPORT	SOPORTE MANDA BARRA	
23	513.46652	BAR CONTROL BUSH	CASQUILLA MANDA BARRA	
24	513.46653	CONTROL CRANK	MANIVELA MANDA	
25	521.46665	STEEL BLADE COUPLING	ATTAQUE CUCHILLAS	
26	524.48920	BLADE CONTROL PIN	PERNO MANDO CUCHILLO	
27	561.46656	LOWER COVER	TAPA INFERIOR	
28	563.46657	SPECIAL NUT	TUERCA ESPECIAL	
29	564.46655	CRANK CAM	EXCENTRICA PARA MANIVELA	
30	572.46654	BARREL	PASADOR	
31	580.46661	BOX GASKET	GUARNICION CAJA	
32	580.46662	GASKET	GUARNICION	
33	580.46666	BLADE COUPLING SCREW	TORNILLO ATTAQUE CUCHILLO	
34	590.46658	CONNECTING ROD	BIELLE	
35	590.51045	BREATHER CAP 1/4 GAS	TAPON RESPIRACION 1/4 GAS	



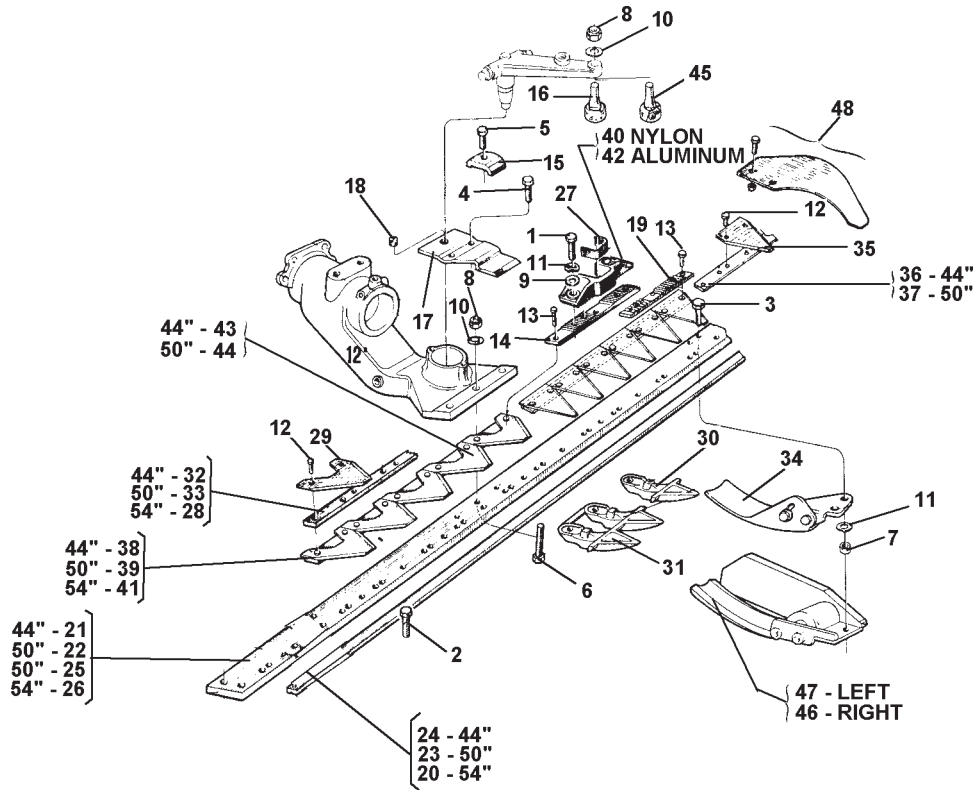
ID	PARTNO	DESCRIPTION	DENOMINACION	NOTES
1	300.00001	LUBRICATOR	ENGRASADOR M10	6 - THIS BOLT REPLACES THE STUD USED ON EARLIER UNITS.
2	300.30050	BUSHING	CASQUILLO	
3	311.11091	SCREW TE M6 X 14	TORNILLO TE M6 X 14	
4	311.12152	SCREW TE M8 X 30	TORNILLO TE M8 X 30	
5	311.12153	SCREW M8 X 35	TORNILLO M8 X 35	
6	311.12282	SCREW TE M12 X 65	TORNILLO TE M12 X 65	
7	311.13097	SCREW	TORNILLO	
8	312.41080	NUT, SELF LOCKING M8	TUERCA AUTOBLOC. M8	
9	312.41105	NUT, SELF LOCKING	TUERCA AUTOBLOC.	
10	312.41125	NUT	TUERCA	
11	313.12114	STUD M10 X 50 X 22 X 14	PRISIONERO M10 X 50 X 22 X 14	
12	314.21064	SUPER WASHER 6	SUPER ARANDELA 6	
13	314.21083	SUPER WASHER 8	SUPER ARANDELA 8	
14	314.21101	SUPER WASHER 10	SUPER ARANDELA 10	
15	314.21253	SUPER WASHER 18	SUPER ARANDELA 18	
16	314.23084	WASHER, LOCK 8.4	ARANDELA DE RES. 8.4	
17	342.11081	SPRING PIN	ESPINA MUELLE	
18	351.21020	CIRCLIP EXTERNAL D 20	SEEGER EXT. D 20	
19	371.11251	BEARING 25 X 62 X 17 6305	COJINETE 25 X 62 X 17 6305	
20	371.11255	BEARING 25 X 52 X 15	COJINETE 25 X 52 X 15	
21	371.12203	BEARING 20 X 42 X 12 6004 2RS	COJINETE 20 X 42 X 12 6004 2RS	
22	382.12502	OIL SEAL 25 X 52 X 7	CHAPA RET. ACEITE 25 X 52 X 7	
23	382.15501	OIL SEAL	CHAPA RET. ACEITE	
24	513.46650	BLADE CONTROL BOX	CAJA MANDA CHUCHILLA	
25	513.46651	BAR CONTROL SUPPORT	SOPORTE MANDA BARRA	
26	513.46652	BAR CONTROL BUSH	CASQUILLA MANDA BARRA	
27	513.46653	CONTROL CRANK	MANIVELA	
28	521.46665	STEEL BLADE COUPLING	ATTAQUE CUCHILLA	
29	561.46656	LOWER COVER	TAPA INFERIOR	
30	563.46657	SPECIAL NUT	TUERCA ESPECIAL	
31	564.46655	CRANK CAM	EXCENTRICA PARA MANIVELA	
32	564.46667	BLADE BUSHING D37	CASQUILLO CUCHILLO D 37	
33	564.46668	BLADE PIN	PERNO CUCHILLO	
34	572.46654	BARREL	PASADOR	
35	580.46661	BOX GASKET	GUARNICION CAJA	



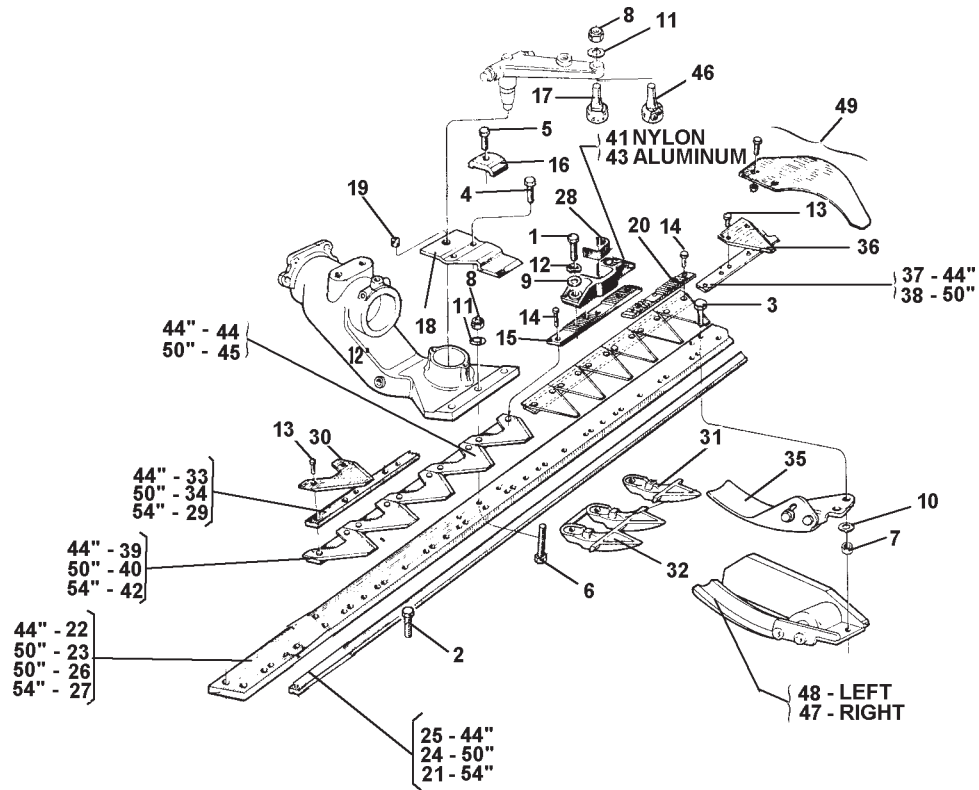
ID	PARTNO	DESCRIPTION	DENOMINACION	NOTES
36	580.46662	GASKET	GUARNICION	
37	580.46666	BLADE COUPLING SCREW	TORNILLO ATTAQUE CUCHILLO	
38	590.46658	CONNECTION ROD	BIELLE	
39	590.51045	BREATHER CAP 1/4 GAS	TAPON RESPIRACION 1/4 GAS	
40	592.46674	DRIVE ASSEMBLY	MANDA BARRA BANO ACEITE	



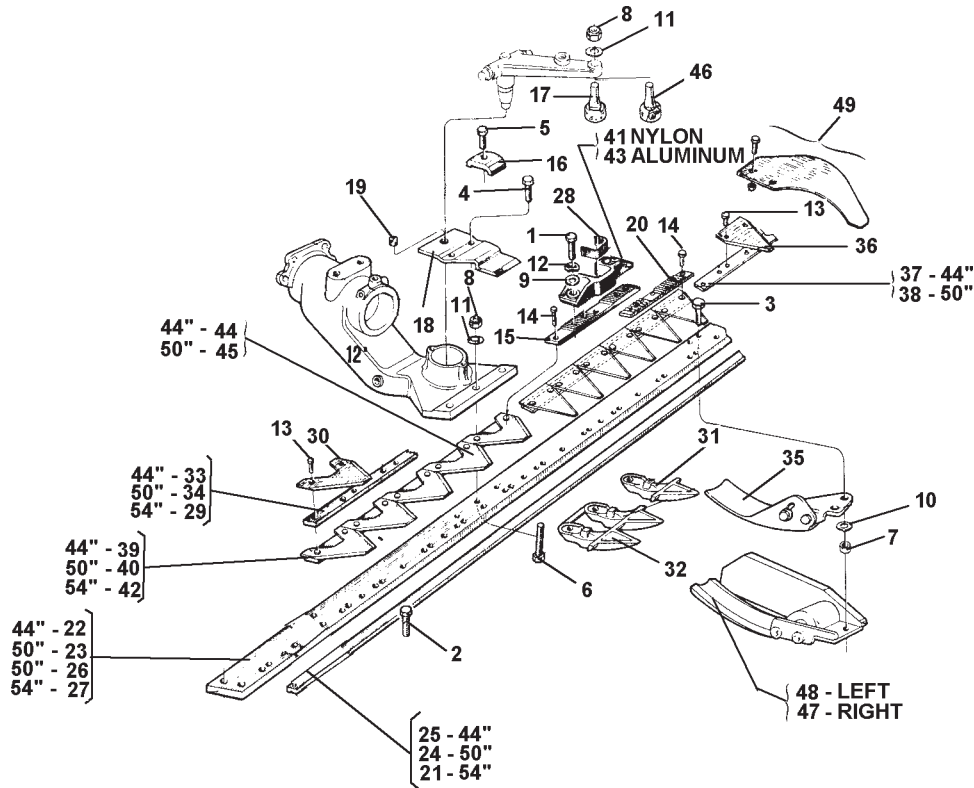
ID	PARTNO	DESCRIPTION	DENOMINACION	NOTES
1	311.11151	SCREW M8 X 16	TORNILLO M8 X 16	
2	311.11212	SCREW TE M10 X 25	TORNILLO TE M10 X 25	
3	311.12151	SCREW M8 X 25	TORNILLO M8 X 25	
4	311.12211	SCREW M10 X 30	TORNILLO M10 X 30	
5	311.12212	SCREW TE M10 X 35 UNI 5739-8G	TORNILLO TE M10 X 35 UNI 5739-8G	
6	311.13097	SCREW	TORNILLO	
7	312.11080	NUT M8	TUERCA M8	
8	312.41104	NUT	TUERCA	
9	314.11084	WASHER, FLAT 8.4	ARANDELA PLANA 8.4	
10	314.21101	SUPER WASHER 10 DIN 6796	SUPER ARANDELA 10 DIN 6796	
11	314.23084	WASHER, LOCK 8.4	ARANDELA DE RES. 8.4	
12	331.12530	RIVET 5.3 X 14	REMACHE 5.3 X 14	
13	331.12531	RIVET TSV 5.3 X 14	REMACHE TSV 5.3 X 14	
14	521.43541	SUPPORT, BLADE CONNECTION	SOPORTE SUJECTION LAM	
15	523.02828	HOLDER, STRIP	GUIA REGLETA	
16	524.48920	BLADE CONTROL PIN	PERNO MANDO CUCHILLO	16 - ON SOME UNITS (PRE 1980 - UNKNOWN SERIAL NUMBER RANGE) THE PIN IS STRAIGHT AND NOT TAPERED. IF THE STRAIGHT PIN IS REQUIRED THEN USE A 590.43848 BLADE PIN AND A 590.48536 BLADE COUPLING 37MM
17	561.43559	HOLDER, BLADE, MULCHING	GUIA CUCHILLA MULCHING	
18	561.43571	SCREW, HEADLESS M16 X 12	TORNILLO SIN CABEZA M16 X 12	
19	561.48908	BLADE PLATE	PLETINA CUCHILLA	
20	563.02709	19 SECTIONS BLADE GUIDE	PREMILAMA	
21	563.43551	BAR, CENTRAL, 1.10	BARRA CENTRAL DA 1.10	
22	563.43552	BAR, CENTRAL, 1.27	BARRA CENTRAL DA 1.27	
23	563.43555	GUIDE, BLADE L 1270	GUIA CUCHILLA L 1270	
24	563.43574	GUIDE, BLADE, 15 SECTIONS	GUIA CUCHILLA 15 SEC.	
25	563.48488	HEAVY FRONT BAR 1.27 MT.	BARRA PESANTE 1.27 MT.	
26	563.48508	FRONT BAR 1.40 MT.	BARRA CENTRAL 1.40 MT.	
27	590.48536	PLATE	PLETINA	
28	580.02465	STRIP, FOR 19-SECTION BLADE	REGLETA CUCHILLA 19 SEC.	
29	580.02466	SECTION, SCORED BLADE	SEC. CUCHILLA PICADA	
30	580.20189	FINGER, SINGLE	DEDO SIMPLE	
31	580.20207	TOOTH, DOUBLE MULCHING	DEDO DOBLE MULCHING	
32	580.20707	STRIP, 15 SEC. BLADE	PLETINA CUCHILLA 15 SEC.	
33	580.20708	STRIP, 17 SEC. BLADE	PLETINA CUCHILLA 17 SEC.	
34	580.46677	SKID, INTERMEDIATE	CORREDERA INTERMEDIA	34 - THIS SKID HAS BEEN REPLACED BY SKID PART NUMBER 580.46677 AS SHOWN ON PAGE 16.02.
35	580.48945	SECTION OF LONG SCORED BLADE	SECCION CUCHILLA	



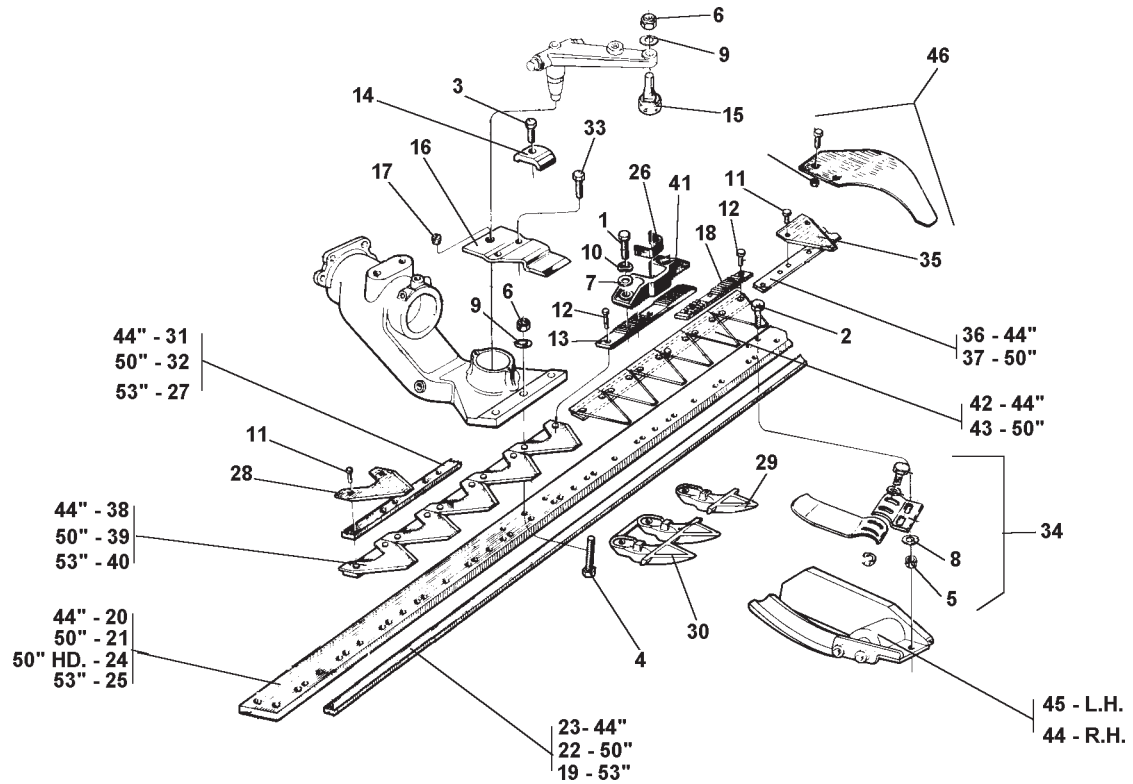
ID	PARTNO	DESCRIPTION	DENOMINACION	NOTES
36	580.48947	STRIP FOR 22 SECTIONS	PLETINA CON 22 SECCIONES	REF #40 & 45 ARE NO LONGER AVAILABLE, PLEASE USE REF# 16 & 42
37	580.48949	STRIP FOR 25 SECTIONS	PLETINA CON 25 SECCIONES	
38	590.43544	BLADE, 15 SECTIONS	CUCHILLA 15 SECCIONES COMPLETA	
39	590.43553	BLADE, 17 SECTIONS	CUCHILLA 17 SECCIONES COMPLETA	
40	590.48536	NYLON BLADE COUPLING		
41	590.48503	BLADE 19 SECTIONS	CUCHILLA 19 SECCIONES	
42	590.48536	ALUMINUM BLADE COUPLER		
43	590.48946	BLADE WITH 22 NARROW SECTIONS	CUCHILLA CON 22 SECCIONES	
44	590.48948	BLADE WITH 25 NARROW SECTIONS	CUCHILLA CON 25 SECCIONES	
45	590.49367	BALL BEARING PIN - NLA USE REF#16		
46	592.50660	RIGHT SLEDGE	RASTRA DERECHA	
47	592.50661	LEFT SLEDGE	RASTRA IZQUIERDA	
48	922.43740	CUTTER BAR SIDE PROTECTION	BARRA DE CORTE LATERAL PROT.	



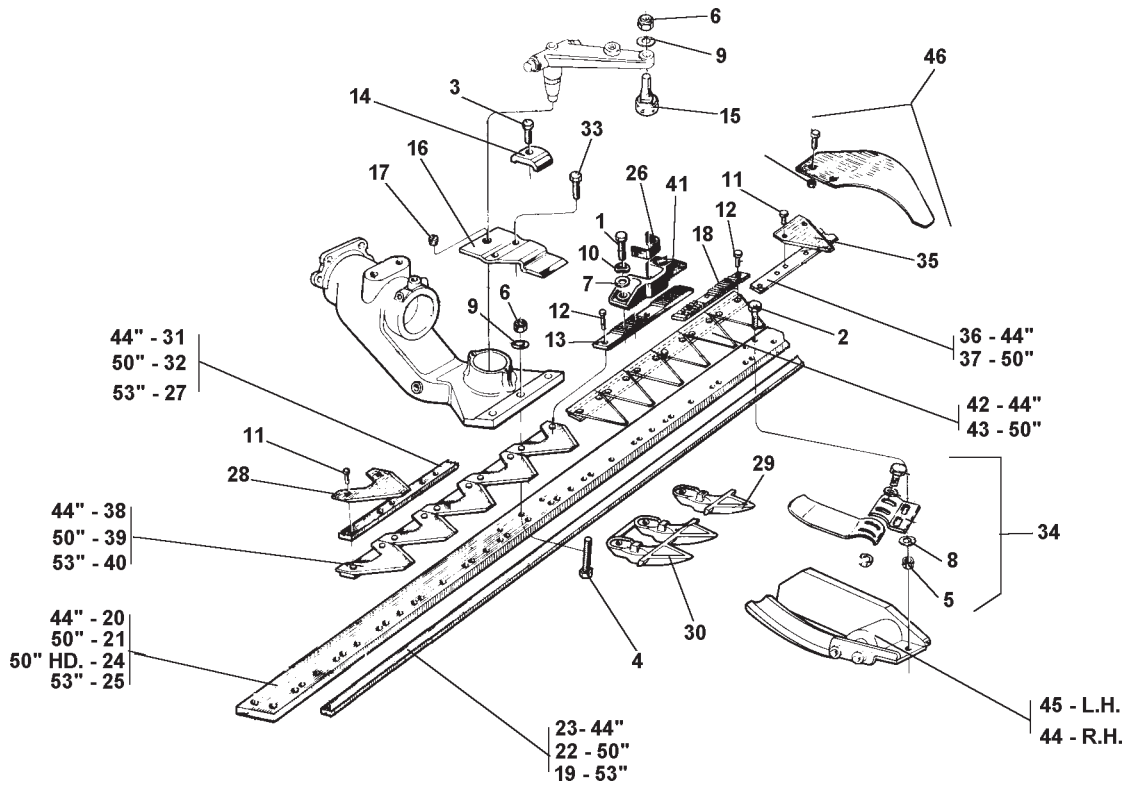
ID	PARTNO	DESCRIPTION	DENOMINACION	NOTES
1	311.11151	SCREW M8 X 16	TORNILLO M8 X 16	
2	311.11212	SCREW TE M10 X 25	TORNILLO TE M10 X 25	
3	311.12151	SCREW M8 X 25	TORNILLO M8 X 25	
4	311.12211	SCREW M10 X 30	TORNILLO M10 X 30	
5	311.12212	SCREW TE M10 X 35 UNI 5739-8G	TORNILLO TE M10 X 35 UNI 5739-8G	
6	311.13097	SCREW	TORNILLO	
7	312.11080	NUT M8	TUERCA M8	
8	312.41105	SELF LOCKING NUT	TUERCA AUTOBLOQUEANTE	
9	314.11084	WASHER, FLAT 8.4	ARANDELA PLANA 8.4	
10	314.21083	SUPER WASHER 8 DIN 6796	SUPER ARANDELA 8 DIN 6796	
11	314.21101	SUPER WASHER 10 DIN 6796	SUPER ARANDELA 10 DIN 6796	
12	314.23084	WASHER, LOCK 8.4	ARANDELA DE RES. 8.4	
13	331.12530	RIVET 5.3 X 14	REMACHE 5.3 X 14	
14	331.12531	RIVET TSV 5.3 X 14	REMACHE TSV 5.3 X 18	
15	521.43541	SUPPORT, BLADE CONNECTION	SOPORTE SUJECTION LAM	
16	523.02828	HOLDER, STRIP	GUIA REGLETA	
17	524.48920	BLADE CONTROL PIN	PERNO MANDO CUCHILLO	
18	561.43559	HOLDER, BLADE, MULCHING	GUIA CUCHILLA MULCHING	
19	561.43571	SCREW, HEADLESS M16 X 12	TORNILLO SIN CABEZA M16 X 12	
20	561.48908	BLADE PLATE	PLETINA CUCHILLA	
21	563.02709	19 SECTIONS BLADE GUIDE	PREMILAMA	
22	563.43551	BAR, CENTRAL, 1.10	BARRA CENTRAL DA 1.10	
23	563.43552	BAR, CENTRAL, 1.27	BARRA CENTRAL DA 1.27	
24	563.43555	GUIDE, BLADE L 1270	GUIA CUCHILLA L 1270	
25	563.43574	GUIDE, BLADE, 15 SECTIONS	GUIA CUCHILLA 15 SEC.	
26	563.48488	HEAVY FRONT BAR 1.27 MT.	BARRA PESANTE 1.27 MT.	
27	563.48508	FRONT BAR 1.40 MT.	BARRA CENTRAL 1.40 MT.	
28	563.48539	PLATE	PLETINA	
29	580.02465	STRIP, FOR 19-SECTION BLADE	REGLETA CUCHILLA 19 SEC.	
30	580.02466	SECTION, SCORED BLADE	SEC. CUCHILLA PICADA	
31	580.20189	FINGER, SINGLE	DEDO SIMPLE	
32	580.20207	TOOTH, DOUBLE MULCHING	DEDO DOBLE MULCHING	
33	580.20707	STRIP, 15 SEC. BLADE	PLETINA CUCHILLA 15 SEC.	
34	580.20708	STRIP, 17 SEC. BLADE	PLETINA CUCHILLA 17 SEC.	
35	580.46677	SKID, INTERMEDIATE	CORREDERA INTERMEDIA	35 - THIS SKID HAS BEEN REPLACED BY SKID PART NUMBER 580.46677 AS SHOWN ON PAGE 16.02.



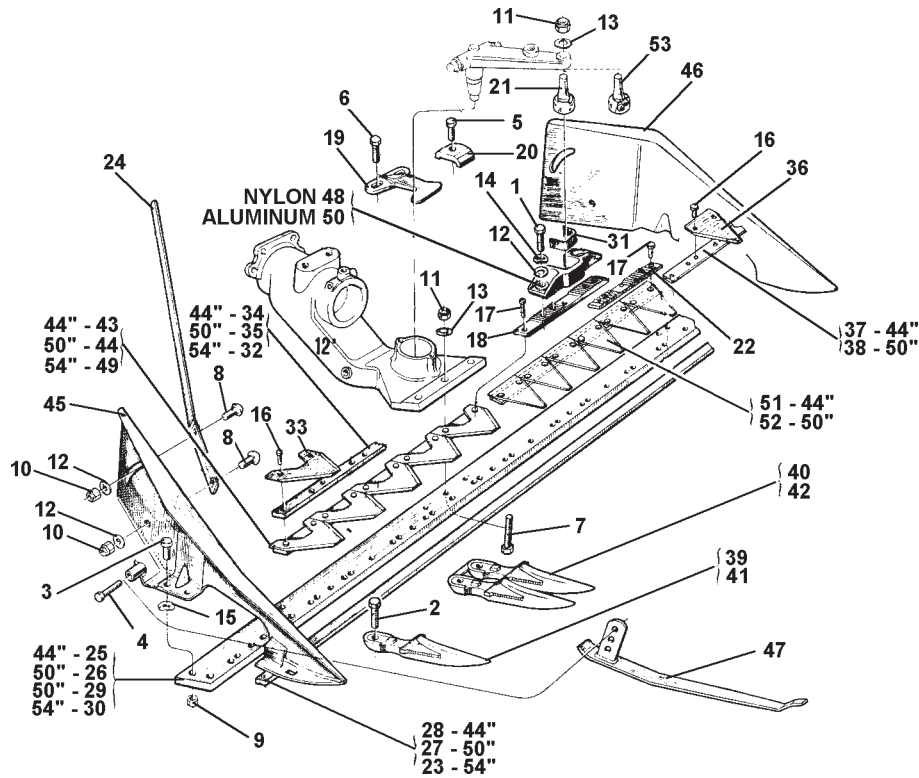
ID	PARTNO	DESCRIPTION	DENOMINACION	NOTES
36	580.48945	SECTION OF LONG SCORED BLADE	SECCION CUCHILLA	
37	580.48947	STRIP FOR 22 SECTIONS	PLETINA CON 22 SECCIONES	
38	580.48949	STRIP FOR 25 SECTIONS	PLETINA CON 25 SECCIONES	
39	590.43544	BLADE, 15 SECTIONS	CUCHILLA 15 SECCIONES COMPLETA	
40	590.43553	BLADE, 17 SECTIONS	CUCHILLA 17 SECCIONES COMPLETA	
41	590.48494	NYLON BLADE COUPLING	CUCHILLO ACOMPLAMIENTO, NYLON	41- OLD SYLE NYLON COUPLING 59050616
42	590.48503	BLADE 19 SECTIONS	CUCHILLA 19 SECCIONES	
43	590.48536	BLADE CONNECTION	ATAQUE CUCHILLA	
44	590.48946	BLADE WITH 22 NARROW SECTIONS	CUCHILLA CON 22 SECCIONES	
45	590.48948	BLADE WITH 25 NARROW SECTIONS	CUCHILLA CON 25 SECCIONES	
46	590.49367	BALL BEARING PIN	PERNO BOLA COJINETE	
47	592.50660	RIGHT SLEDGE	RASTRA DERECHA	
48	592.50661	LEFT SLEDGE	RASTRA IZQUIERDA	
49	922.43740	CUTTER BAR SIDE PROTECTION	BARRA DE CORTE LATERAL PROT.	



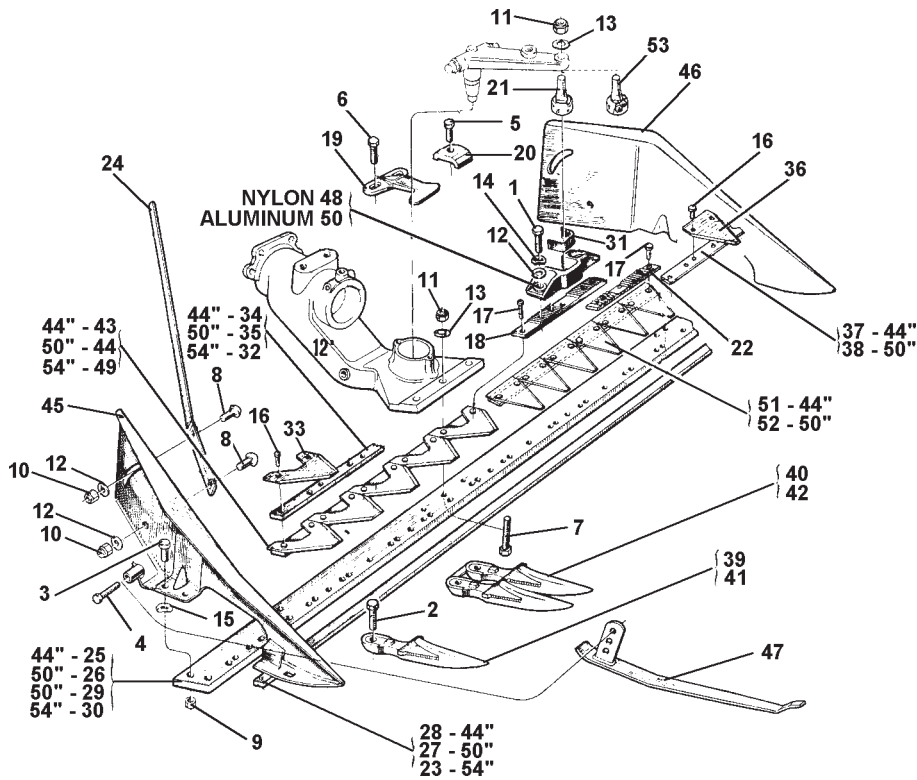
ID	PARTNO	DESCRIPTION	DENOMINACION	NOTES
1	311.11151	SCREW M8 X 16	TORNILLO M8 X 16	
2	311.12151	SCREW M8 X 25	TORNILLO M8 X 25	
3	311.12212	SCREW TE M10 X 35 UNI 5739-8G	TORNILLO TE M10 X 35 UNI 5739-8G	
4	311.13097	SCREW	TORNILLO	
5	312.11080	NUT M8	TUERCA M8	
6	312.41105	SELF LOCKING NUT	TUERCA AUTOBLOQUEANTE	
7	314.11084	WASHER, FLAT 8.4	ARANDELA PLANA 8.4	
8	314.21083	SUPER WASHER 8 DIN 6796	SUPER ARANDELA 8 DIN 6796	
9	314.21101	SUPER WASHER 10 DIN 6796	SUPER ARANDELA 10 DIN 6796	
10	314.23084	WASHER, LOCK 8.4	ARANDELA DE RES. 8.4	
11	331.12530	RIVET 5.3 X 14	REMACHE 5.3 X 14	
12	331.12531	RIVET TSV 5.3 X 14	REMACHE TSV 5.3 X 18	
13	521.43541	SUPPORT, BLADE CONNECTION	SOPORTE SUJECTION LAM	
14	523.02828	HOLDER, STRIP	GUIA REGLETA	
15	524.48920	BLADE CONTROL PIN	PERNO MANDO CUCHILLO	
16	561.43559	HOLDER, BLADE, MULCHING	GUIA CUCHILLA MULCHING	
17	561.43571	SCREW, HEADLESS M16 X 12	TORNILLO SIN CABEZA M16 X 12	
18	561.48908	BLADE PLATE	PLETINA CUCHILLA	
19	563.02709	19 SECTIONS BLADE GUIDE	PREMILAMA	
20	563.43551	BAR, CENTRAL, 1.10	BARRA CENTRAL DA 1.10	
21	563.43552	BAR, CENTRAL, 1.27	BARRA CENTRAL DA 1.27	
22	563.43555	GUIDE, BLADE L 1270	GUIA CUCHILLA L 1270	
23	563.43574	GUIDE, BLADE, 15 SECTIONS	GUIA CUCHILLA 15 SEC.	
24	563.48488	HEAVY FRONT BAR 1.27 MT.	BARRA PESANTE 1.27 MT.	
25	563.48508	FRONT BAR 1.40 MT.	BARRA CENTRAL 1.40 MT.	
26	563.48539	PLATE	PLETINA	
27	580.02465	STRIP, FOR 19-SECTION BLADE	REGLETA CUCHILLA 19 SEC.	
28	580.02466	SECTION, SCORED BLADE	SEC. CUCHILLA PICADA	
29	580.20189	FINGER, SINGLE	DEDO SIMPLE	
30	580.20207	TOOTH, DOUBLE MULCHING	DEDO DOBLE MULCHING	
31	580.20707	STRIP, 15 SEC. BLADE	PLETINA CUCHILLA 15 SEC.	
32	580.20708	STRIP, 17 SEC. BLADE	PLETINA CUCHILLA 17 SEC.	
33	580.46673	SPECIAL SCREW	TORNILLO ESPECIAL	
34	580.46677	SLEDGE ASSEMBLY	PATIN CON TORNILLOS	
35	580.48945	INDIVIDUAL BLADE, NA	SECCION CUCHILLA	



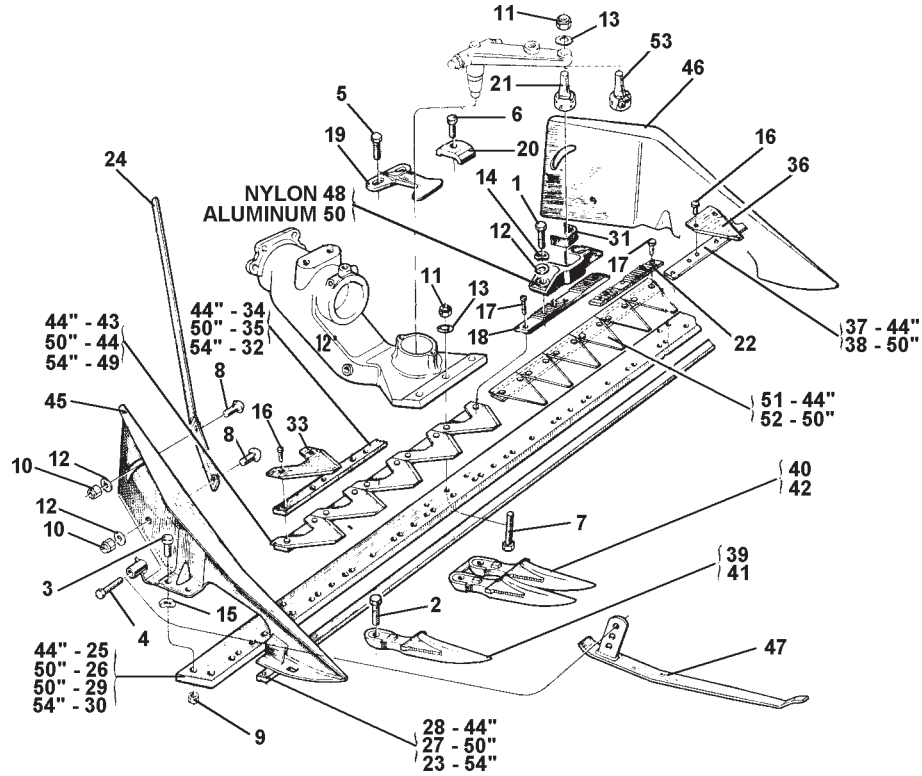
ID	PARTNO	DESCRIPTION	DENOMINACION	NOTES
36	580.48947	STRIP FOR 22 SECTIONS	PLETINA CON 22 SECCIONES	
37	580.48949	STRIP FOR 25 SECTIONS	PLETINA CON 25 SECCIONES	
38	590.43544	BLADE, 15 SECTIONS	CUCHILLA 15 SECCIONES COMPLETA	
39	590.43553	BLADE, 17 SECTIONS	CUCHILLA 17 SECCIONES COMPLETA	
40	590.48503	BLADE 19 SECTIONS	CUCHILLA 19 SECCIONES	
41	590.48536	BLADE CONNECTION	ATTAQUE CUCHILLA	
42	590.48946	BLADE WITH 22 NARROW SECTIONS	CUCHILLA CON 22 SECCIONES	
43	590.48948	BLADE WITH 25 NARROW SECTIONS	CUCHILLA CON 25 SECCIONES	
44	592.50660	RIGHT SLEDGE	RASTRA DERECHA	
45	592.50661	LEFT SLEDGE	RASTRA IZQUIERDA	
46	922.43740	CUTTER BAR SIDE PROTECTION	BARRA DE CORTE LATERAL PROT.	



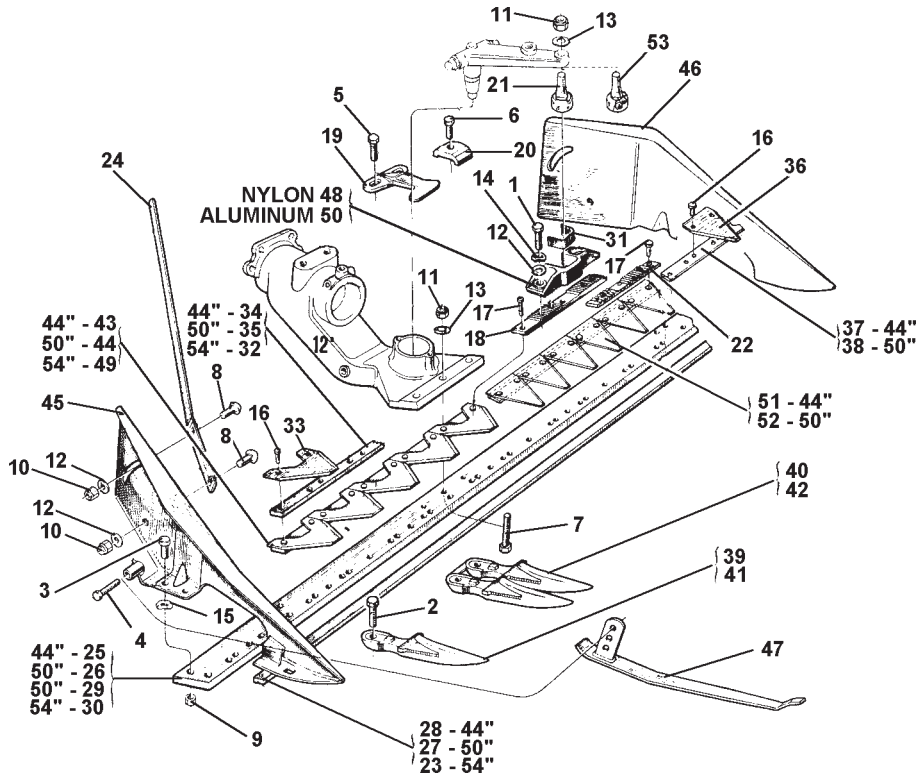
ID	PARTNO	DESCRIPTION	DENOMINACION	NOTES
1	311.11151	SCREW M8 X 16	TORNILLO M8 X 16	
2	311.11212	SCREW TE M10 X 25	TORNILLO TE M10 X 25	
3	311.11213	SCREW TE M10 X 30	TORNILLO TE M10 X 30	
4	311.12210	SCREW TE M10 X 20 UNI 5739-8G	TORNILLO TE M10 X 20 UNI 5739-8G	
5	311.12211	SCREW M10 X 30	TORNILLO M10 X 30	
6	311.12212	SCREW TE M10 X 35 UNI 5739-8G	TORNILLO TE M10 X 35 UNI 5739-8G	
7	311.13097	SCREW	TORNILLO	
8	311.21801	NUT M8	TUERCA M8	
9	312.11100	NUT M10	TUERCA M10	
10	312.41080	NUT, SELF LOCKING M8	TUERCA AUTOBLOC. M8	
11	312.41104	NUT	TUERCA	
12	314.11084	WASHER, FLAT 8.4	ARANDELA PLANA 8.4	
13	314.21101	SUPER WASHER 10 DIN 6796	SUPER ARANDELA 10 DIN 6796	
14	314.23084	WASHER, LOCK 8.4	ARANDELA DE RES. 8.4	
15	314.23105	WASHER, LOCK 10.5	ARANDELA DE RES. 10.5	
16	331.12530	RIVET 5.3 X 14	REMACHE 5.3 X 14	
17	331.12531	RIVET TSV 5.3 X 14	REMACHE TSV 5.3 X 18	
18	521.43541	SUPPORT, BLADE CONNECTION	SOPORTE SUJECTION LAM	
19	523.02824	HOLDER, BLADE, DOUBLE	GUIA CUCHILLO DOBLE	
20	523.02828	HOLDER, STRIP	GUIA REGLETA	
21	524.48920	BLADE CONTROL PIN (TAPERED)	PERNO MANDO CUCHILLO (TAPERED)	NOTE ON REF# 21: ON SOME UNITS (PRE 1980 - UNKNOWN SERIAL NUMBER RANGE) THE PIN IS STRAIGHT AND NOT TAPERED. IF THE STRAIGHT PIN IS REQUIRED THEN USE A 590.43848 BLADE PIN AND A 590.48536 BLADE COUPLING 37MM
22	561.48908	BLADE PLATE	PLETINA CUCHILLA	
23	563.02709	19 SECTIONS BLADE GUIDE	PREMILAMA	
24	563.43387	CONVEYOR	DEFLECTOR	
25	563.43551	BAR, CENTRAL, 1.10	BARRA CENTRAL DA 1.10	
26	563.43552	BAR, CENTRAL, 1.27	BARRA CENTRAL DA 1.27	
27	563.43555	GUIDE, BLADE L 1270	GUIA CUCHILLA L 1270	
28	563.43574	GUIDE, BLADE, 15 SECTIONS	GUIA CUCHILLA 15 SEC.	
29	563.48488	HEAVY FRONT BAR 1.27 MT.	BARRA PESANTE 1.27 MT.	
30	563.48508	FRONT BAR 1.40 MT.	BARRA CENTRAL 1.40 MT.	
31	563.48539	PLATE	PLETINA	
32	580.02465	STRIP, FOR 19-SECTION BLADE	REGLETA CUCHILLA 19 SEC.	
33	580.02466	SECTION, SCORED BLADE	SEC. CUCHILLA PICADA	
34	580.20707	STRIP, 15 SEC. BLADE	PLETINA CUCHILLA 15 SEC.	
35	580.20708	STRIP, 17 SEC. BLADE	PLETINA CUCHILLA 17 SEC.	



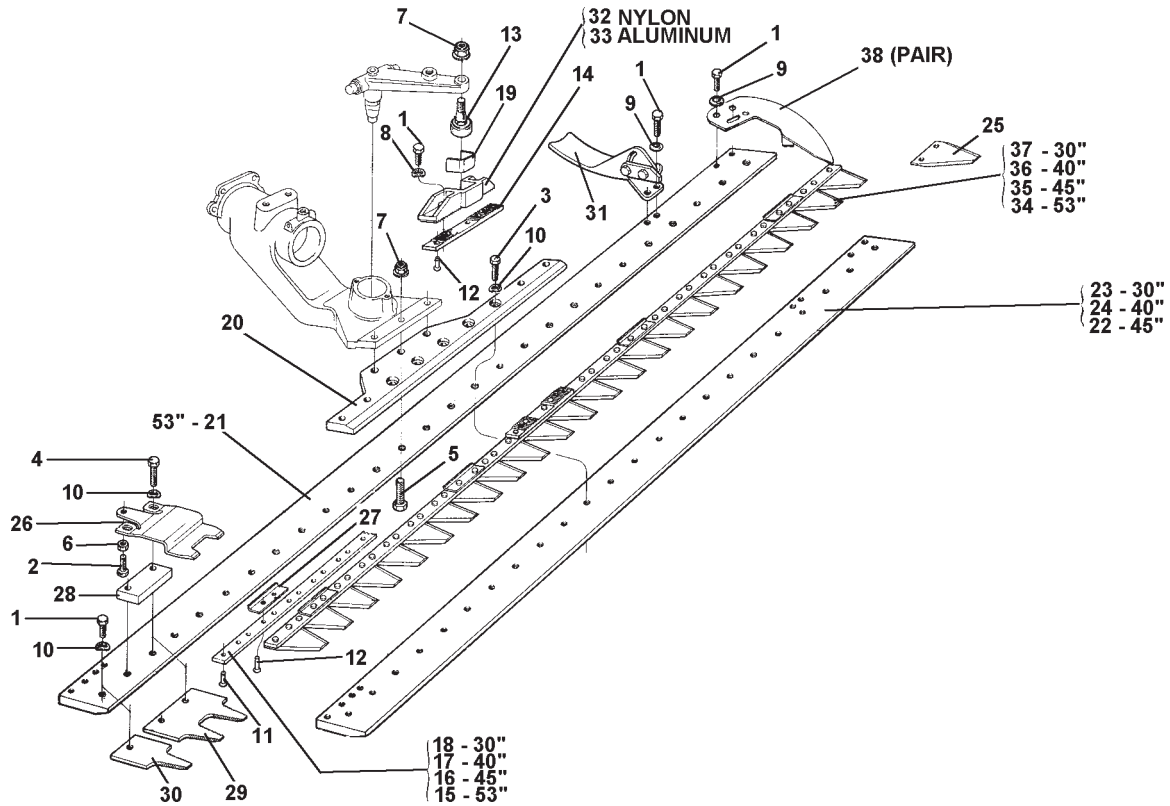
ID	PARTNO	DESCRIPTION	DENOMINACION	NOTES
36	580.48945	INDIVIDUAL BLADE, NA	SECCION CUCHILLA	
37	580.48947	STRIP FOR 22 SECTIONS	PLETINA CON 22 SECCIONES	
38	580.48949	STRIP FOR 25 SECTIONS	PLETINA CON 25 SECCIONES	
39	590.27621	TOOTH, SINGLE THICK	DIENTE FINO SIMPLE	
40	590.27622	TOOTH, DOUBLE THICK - 3" ACROSS	DIENTE FINO DOBLE	
41	590.27623	TOOTH, SINGLE MEDIUM THICK	DIENTE SEMIFINO SIMPLE	
42	590.27624	TOOTH, DOUBLE MED.- 4" ACROSS	DIENTE SEMIFINO DOBLE	
43	590.43544	BLADE, 15 SECTIONS	CUCHILLA 15 SECCIONES COMPLETA	
44	590.43553	BLADE, 17 SECTION	CUCHILLA 17 SECCIONES COMPLETA	
45	590.43554	SHOE, R.H.	ALOJAMIENTO DERECHO COMPLETO	
46	590.43561	SHOE, L.H.	ALOJAMIENTO IZQUIERDO COMPL.	
47	590.43568	SKID	PATIN COMPL.	
48	590.48494	NYLON BLADE COUPLING	CUCHILLOS ACOPLAMIENTO, NYLON	
49	590.48503	BLADE 19 SECTIONS	CUCHILLA 19 SECCIONES	
50	590.48536	BLADE CONNECTION	ATAQUE CUCHILLA	
51	590.48946	BLADE WITH 22 NARROW SECTIONS	CUCHILLA CON 22 SECCIONES	
52	590.48948	BLADE WITH 25 NARROW SECTIONS	CUCHILLA CON 25 SECCIONES	
53	590.49367	BALL BEARING PIN -NLA USE REF#21	PERNO BOLA COJINETE	



ID	PARTNO	DESCRIPTION	DENOMINACION	NOTES
1	311.11151	SCREW M8 X 16	TORNILLO M8 X 16	
2	311.11212	SCREW TE M10 X 25	TORNILLO TE M10 X 25	
3	311.11213	SCREW TE M10 X 30	TORNILLO TE M10 X 30	
4	311.12210	SCREW TE M10 X 20 UNI 5739-8G	TORNILLO TE M10 X 20 UNI 5739-8G	
5	311.12211	SCREW M10 X 30	TORNILLO M10 X 30	
6	311.12212	SCREW TE M10 X 35 UNI 5739-8G	TORNILLO TE M10 X 35 UNI 5739-8G	
7	311.13097	SCREW	TORNILLO	
8	311.21801	NUT M8	TUERCA M8	
9	312.11100	NUT M10	TUERCA M10	
10	312.41080	NUT, SELF LOCKING M8	TUERCA AUTOBLOC. M8	
11	312.41105	SELF LOCKING NUT	TUERCA AUTOBLOQUEANTE	
12	314.11084	WASHER, FLAT 8.4	ARANDELA PLANA 8.4	
13	314.21101	SUPER WASHER 10 DIN 6796	SUPER ARANDELA 10 DIN 6796	
14	314.23084	WASHER, LOCK 8.4	ARANDELA DE RES. 8.4	
15	314.23105	WASHER, LOCK 10.5	ARANDELA DE RES. 10.5	
16	331.12530	RIVET 5.3 X 14	REMACHE 5.3 X 14	
17	331.12531	RIVET TSV 5.3 X 14	REMACHE TSV 5.3 X 18	
18	521.43541	SUPPORT, BLADE CONNECTION	SOPORTE SUJECTION LAM	
19	523.02824	HOLDER, BLADE, DOUBLE	GUIA CUCHILLO DOBLE	
20	523.02828	HOLDER, STRIP	GUIA REGLETA	
21	524.48920	BLADE CONTROL PIN	PERNO MANDO CUCHILLO	
22	561.48908	BLADE PLATE	PLETINA CUCHILLA	
23	563.02709	19 SECTIONS BLADE GUIDE	PREMILAMA	
24	563.43387	CONVEYOR	DEFLECTOR	
25	563.43551	BAR, CENTRAL, 1.10	BARRA CENTRAL DA 1.10	
26	563.43552	BAR, CENTRAL, 1.27	BARRA CENTRAL DA 1.27	
27	563.43555	GUIDE, BLADE L 1270	GUIA CUCHILLA L 1270	
28	563.43574	GUIDE, BLADE, 15 SECTIONS	GUIA CUCHILLA 15 SEC.	
29	563.48488	HEAVY FRONT BAR 1.27 MT.	BARRA PESANTE 1.27 MT.	
30	563.48508	FRONT BAR 1.40 MT.	BARRA CENTRAL 1.40 MT.	
31	563.48539	PLATE	PLETINA	
32	580.02465	STRIP, FOR 19-SECTION BLADE	REGLETA CUCHILLA 19 SEC.	
33	580.02466	SECTION, SCORED BLADE	SEC. CUCHILLA PICADA	
34	580.20707	STRIP, 15 SEC. BLADE	PLETINA CUCHILLA 15 SEC.	
35	580.20708	STRIP, 17 SEC. BLADE	PLETINA CUCHILLA 17 SEC.	

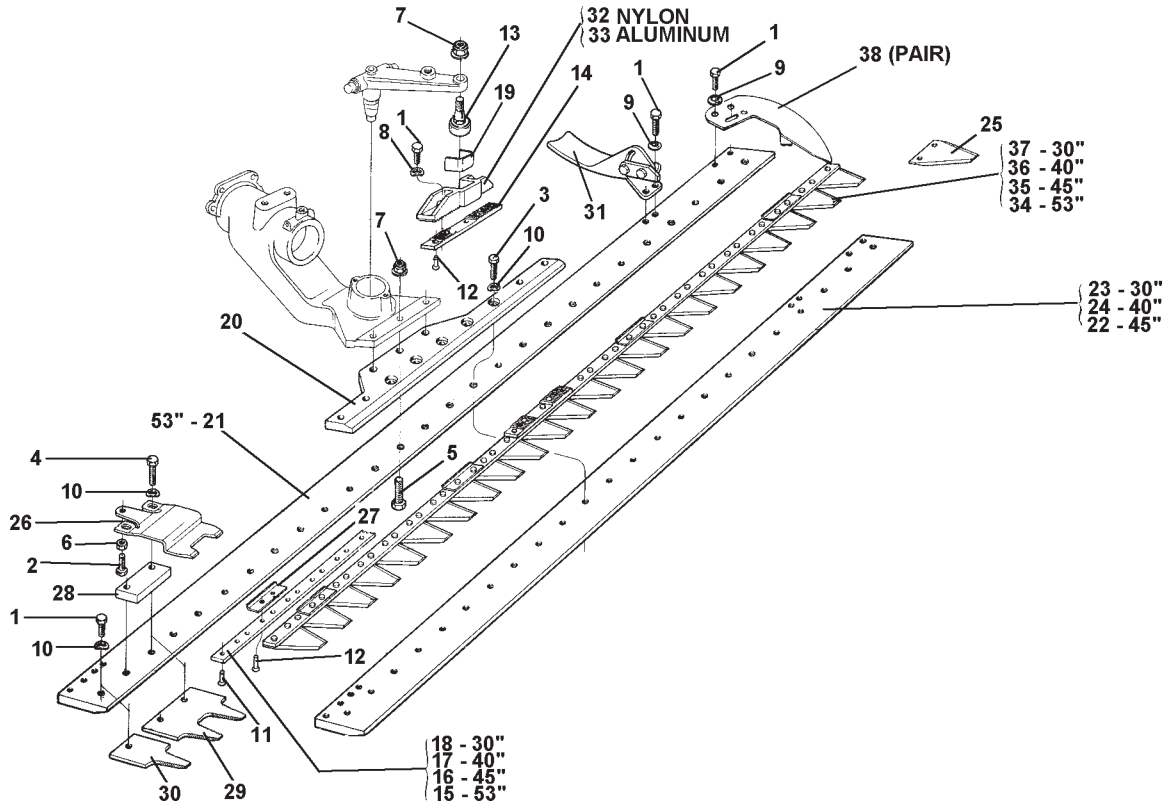


ID	PARTNO	DESCRIPTION	DENOMINACION	NOTES
36	580.48945	INDIVIDUAL BLADE, NA	SECCION CUCHILLA	
37	580.48947	STRIP FOR 22 SECTIONS	PLETINA CON 22 SECCIONES	
38	580.48949	STRIP FOR 25 SECTIONS	PLETINA CON 25 SECCIONES	
39	590.27621	TOOTH, SINGLE THICK	DIENTE FINO SIMPLE	
40	590.27622	TOOTH, DOUBLE THICK	DIENTE FINO DOBLE	
41	590.27623	TOOTH, SINGLE MEDIUM THICK	DIENTE SEMIFINO SIMPLE	
42	590.27624	TOOTH, DOUBLE MEDIUM THICK	DIENTE SEMIFINO DOBLE	
43	590.43544	BLADE, 15 SECTIONS	CUCHILLA 15 SECCIONES COMPLETA	
44	590.43553	BLADE, 17 SECTION	CUCHILLA 17 SECCIONES COMPLETA	
45	590.43554	SHOE, R.H.	ALOJAMIENTO DERECHO COMPLETO	
46	590.43561	SHOE, L.H.	ALOJAMIENTO IZQUIERDO COMPL.	
47	590.43568	SKID	PATIN COMPL.	
48	590.48494	NYLON BLADE COUPLING	CUCHILLOS ACOPLAMIENTO, NYLON	
49	590.48503	BLADE 19 SECTIONS	CUCHILLA 19 SECCIONES	
50	590.48536	BLADE CONNECTION	ATTAQUE CUCHILLA	
51	590.48946	BLADE WITH 22 NARROW SECTIONS	CUCHILLA CON 22 SECCIONES	
52	590.48948	BLADE WITH 25 NARROW SECTIONS	CUCHILLA CON 25 SECCIONES	
53	590.49367	BALL BEARING PIN	PERNO BOLA COJINETE	

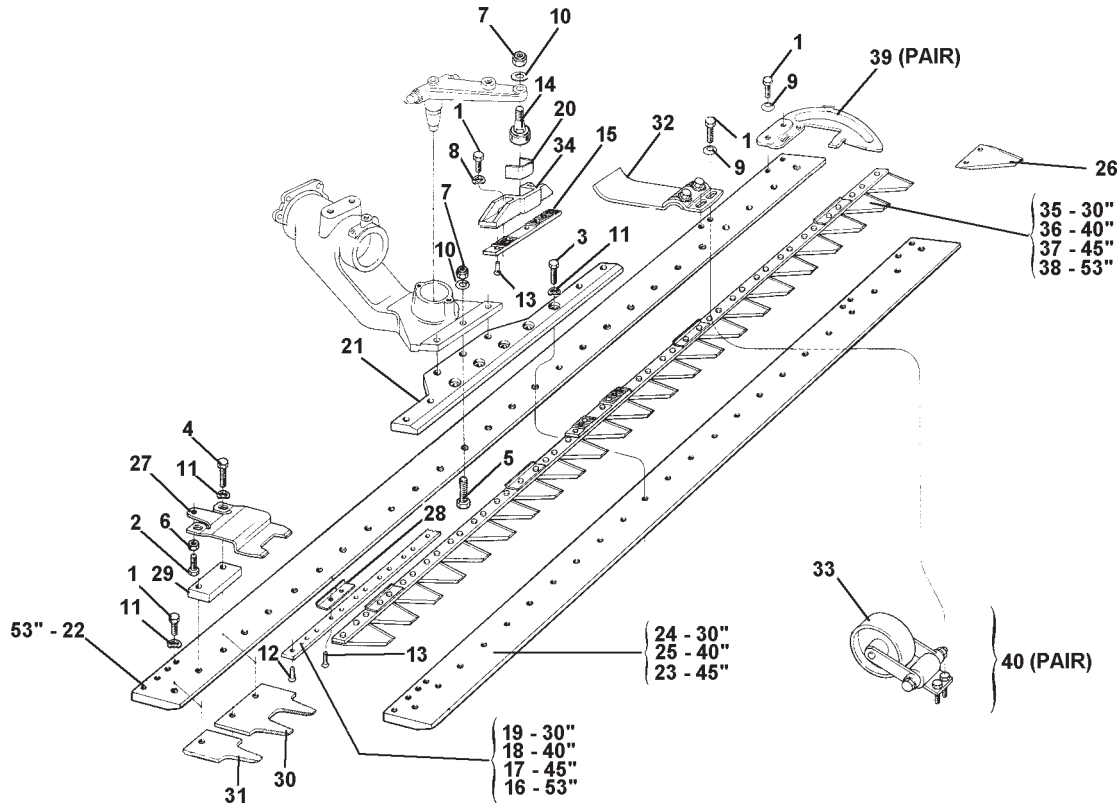


ID	PARTNO	DESCRIPTION	DENOMINACION	NOTES
1	311.11151	SCREW M8 X 16	TORNILLO M8 X 16	THE SMOOTH INDIVIDUAL BLADE AND BLADE ASSEMBLY IS NO LONGER AVAILABLE. THE SER-RATED BLADE AND BLADE ASSEMBLY REPLACE THEM.
2	311.12150	SCREW M8 X 20	TORNILLO M8 X 20	
3	311.12151	SCREW M8 X 25	TORNILLO M8 X 25	
4	311.12152	SCREW TE M8 X 30	TORNILLO TE M8 X 30	
5	311.13097	SCREW	TORNILLO	
6	312.11080	NUT M8	TUERCA M8	7 - THIS NUT REPLACES THE NUT AND WASHER USED ON EARLIER UNITS.
7	312.41104	NUT	TUERCA	
8	314.11084	WASHER, FLAT 8.4	ARANDELA PLANA 8.4	
9	314.21083	SUPER WASHER 8 DIN 6796	SUPER ARANDELA 8 DIN 6796	
10	314.23084	WASHER, LOCK 8.4	ARANDELA DE RES. 8.4	
11	331.12530	RIVET 5.3 X 14	REMACHE 5.3 X 14	13 - ON SOME UNITS (PRE 1980 - UNKNOWN SERIAL NUMBER RANGE) THE PIN IS STRAIGHT AND NOT TAPERED. IF THE STRAIGHT PIN IS REQUIRED THEN USE A 590.43848 BLADE PIN AND A 590.48536 BLADE COUPLING 37MM
12	331.12531	RIVET TSV 5.3 X 18	REMACHE TSV 5.3 X 18	
13	524.48920	BLADE CONTROL PIN	PERNO MANDO CUCHILLO	
14	561.48904	PLATE FOR BLADE COUPLING	PLETINA ATTAQUE CUCHILLA	
15	561.48907	STRIP FOR BLADE MT. 1.35	PLETINA CUCHILLA 1.35 MT.	
16	561.48910	STRIP FOR BLADE MT. 1.15	PLETINA CUCHILLA MT. 1.15	
17	561.51414	BLADE STRIP	PLETINA CUCHILLA	
18	561.51420	BLADE STRIP	PLETINA CHUCHILLA	
19	563.48539	PLATE	PLETINA	
20	563.48912	BAR COUPLING	ATTAQUE BARRA	
21	563.48914	SLIDE FOR CUTTER BAR	PATIN PARA BARRA	
22	563.48915	SLIDE BAR	PATIN PARA BARRA	
23	563.48929	SLIDE COMBO BAR, 0.80	PATIN BARRA COMBO 0.80	
24	563.48930	SLIDE COMBO BAR 1.0 MT	PATIN BARRA COMBO 1.0 MT	
25	563.50696	SECTION F. NARROW SCORED BLADE	SECCION CUCHILLA PICADA	
26	563.51400	BLADE HOLDER	GUIA CUCHILLA	
27	563.51401	PLATE FOR CLEANING	PLETINA	
28	563.51402	BLADE GUIDE BLOCK	CUBO GUIA CUCHILLA	
29	565.50648	DOUBLE FINGER	DIENTE DOBLE	
30	565.50649	SINGLE FINGER	DIENTE SIMPLE	
31	580.46677	SKID, INTERMEDIATE	CORREDERA INTERMEDIA	31 - THIS SKID HAS BEEN RE-PLACED BY SKID PART NUMBER 580.46677 AS SHOWN ON PAGE 18.01.
32	590.48494	NYLON BLADE COUPLING	CUCHILLOS ACOPLAMIENTO, NYLON	
33	590.48536	BLADE CONNECTION	ATTAQUE CUCHILLO	
34	590.48906	SCORED CENTRAL KNIFE 1.35	CUCHILLO CENTRAL 1.35 MT.	
35	590.48909	SCORED CENTRAL BLADE 1.15 MT.	CUCHILLO CENTRAL 1.15 MT.	

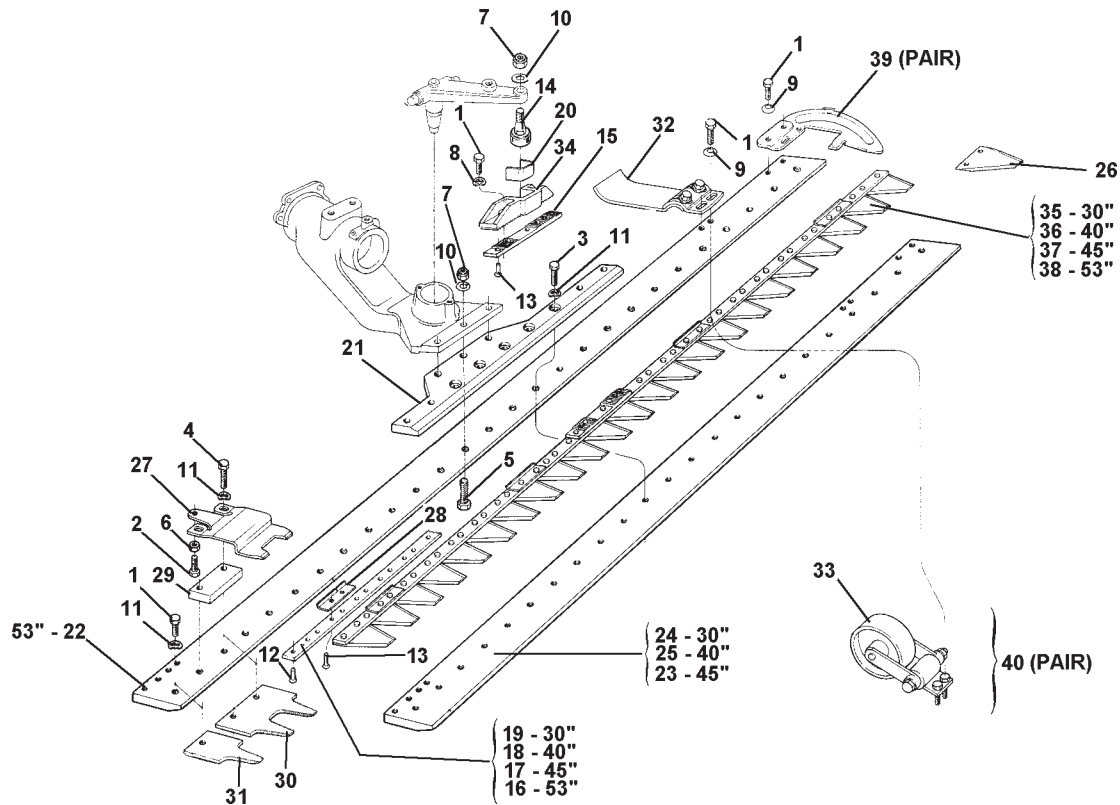
REVISED 06/12/03



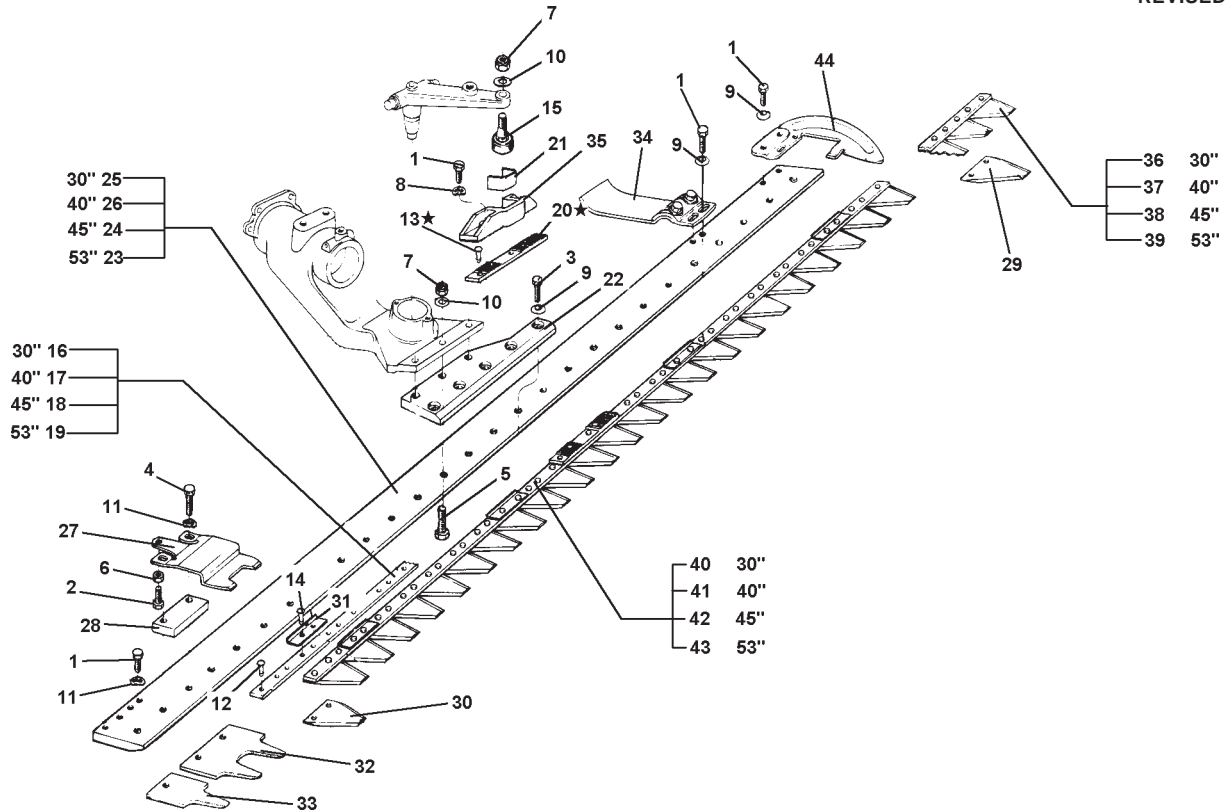
ID	PARTNO	DESCRIPTION	DENOMINACION	NOTES
36	590.48926	SCORED COMBO BLADE 1 M	CUCHILLO COMBO M.	
37	590.48928	SCORED BOMOB BLADE 0.80 M.	CUCHILLO COMBO 0.80 M.	
38	922.48918	END GUARD-COMBO BAR (PR) W/ BOLTS AND WASHERS	PROTECCION EXTREMO-COMBO BARRA (PR)	



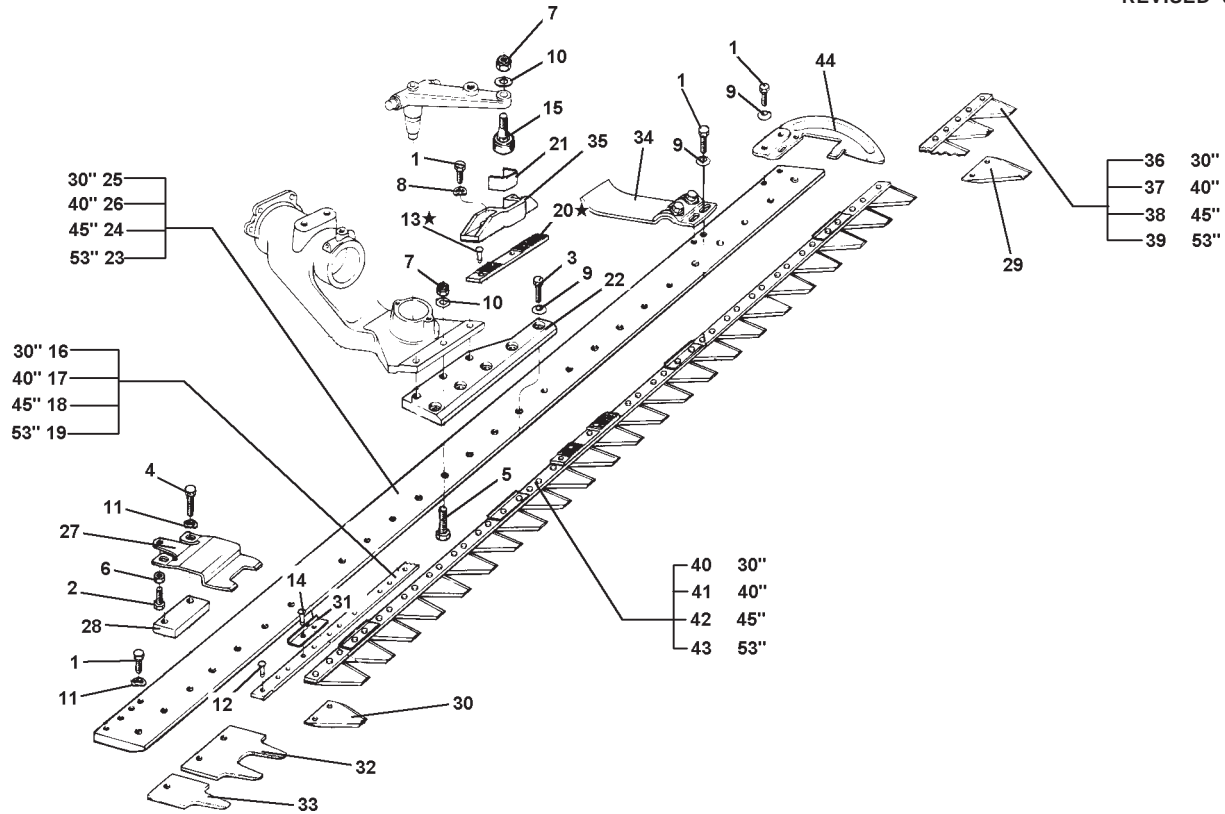
ID	PARTNO	DESCRIPTION	DENOMINACION	NOTES
1	311.11151	SCREW M8 X 16	TORNILLO M8 X 16	THE SMOOTH INDIVIDUAL BLADE AND BLADE ASSEMBLY IS NO LONGER AVAILABLE. THE SER-RATED BLADE AND BLADE ASSEMBLY REPLACE THEM.
2	311.12150	SCREW M8 X 20	TORNILLO M8 X 20	
3	311.12151	SCREW M8 X 25	TORNILLO M8 X 25	
4	311.12153	SCREW M8 X 35	TORNILLO M8 X 35	
5	311.13097	SCREW	TORNILLO	
6	312.11080	NUT M8	TUERCA M8	
7	312.41105	SELF LOCKING NUT	TUERCA AUTOBLOQUEANTE	
8	314.11084	WASHER, FLAT 8.4	ARANDELA PLANA 8.4	
9	314.21083	SUPER WASHER 8 DIN 6796	SUPER ARANDELA 8 DIN 6796	
10	314.21101	SUPER WASHER 10 DIN 6796	SUPER ARANDELA 10 DIN 6796	
11	314.23084	WASHER, LOCK 8.4	ARANDELA DE RES. 8.4	32 - THIS SKID REPLACES OTHER SKIDS USED ON EARLIER UNITS.
12	331.12608	RIVET TSV 6.5 X 13	REMACHE TSV 6.5 X 13	
13	331.12609	RIVET TSV 6.5 X 16	REMACHE TSV 6.5 X 16	
14	524.48920	BLADE CONTROL PIN	PERNO MANDO CUCHILLO	
15	561.48904	PLATE FOR BLADE COUPLING	PLETINA ATTAQUE CUCHILLA	
16	561.48907	STRIP FOR BLADE MT. 1.35	PLETINA CUCHILLA 1.35 MT.	
17	561.48910	STRIP FOR BLADE MT. 1.15	PLETINA CUCHILLA MT. 1.15	
18	561.51414	BLADE STRIP	PLETINA CUCHILLA	
19	561.51420	BLADE STRIP	PLETINA CUCHILLA	
20	563.48539	PLATE	PLETINA	
21	563.48912	BAR COUPLING	ATTAQUE BARRA	
22	563.48914	SLIDE FOR CUTTER BAR	PATIN PARA BARRA	
23	563.48915	SLIDE BAR	PATIN PARA BARRA	
24	563.48929	SLIDE COMBO BAR, 0.80	PATIN BARRA COMBO 0.80	
25	563.48930	SLIDE COMBO BAR 1.0 MT	PATIN BARRA COMBO 1.0 MT	
26	563.50696	SECTION F. NARROW SCORED BLADE	SECCION CUCHILLA PICADA	
27	563.51400	BLADE HOLDER	GUIA CUCHILLA	
28	563.51401	PLATE FOR CLEANING	PLETINA	
29	563.51402	BLADE GUIDE BLOCK	CUBO GUIA CUCHILLO	
30	565.50648	DOUBLE FINGER	DIENTE DOBLE	
31	565.50649	SINGLE FINGER	DIENTE SIMPLE	
32	580.46677	SLIDE WITH SCREWS	PATIN CON TORNILLOS	
33	580.51434	WHEEL D = 100	RUEDA D = 100	
34	590.48536	BLADE CONNECTION	ATTAQUE CUCHILLA	
35	590.59063	SCORED COMBO BLADE 0.80 M.	CUCHILLO COMBO 0.80 M.	



ID	PARTNO	DESCRIPTION	DENOMINACION	NOTES
36	590.59064	SCORED COMBO BLADE 1M.	CUCHILLO COMBO 1 M.	39 - THIS END GUARD REPLACES OTHER END GUARDS USED ON EARLIER UNITS.
37	590.59065	SCORED CENTRAL BLADE 1.15 MT.	CUCHILLO CENTRAL 1.15 MT.	
38	590.59066	SCORED CENTRAL KNIFE 1.35	CUCHILLO CENTRAL 1.35 MT.	
39	922.48918	END GUARD-COMBO BAR (PR) W/ BOLTS AND WASHERS	PROTECCION EXTREMO-COMBO BARRA	
40	922.51425	CUTTER BAR WHEELS - PAIR	JUEGO RUEDAS BARRA DE CORTE	



ID	PARTNO	DESCRIPTION	DENOMINACION	NOTES
1	311.11151	SCREW M8X16	TORNILLO M8X16	THE SMOOTH INDIVIDUAL BLADE AND BLADE ASSEMBLY IS NO LONGER AVAILABLE. THE SERATED BLADE AND BLADE ASSEMBLY REPLACE THEM.
2	311.12150	SCREW M8X20	TORNILLO M8X20	
3	311.12151	SCREW M8X25	TORNILLO M8X25	
4	311.12153	SCREW M8X35	TORNILLO M8X35	
5	311.13097	SCREW M10X35	TORNILLO M10X35	
6	312.11080	NUT M8	TUERCA M8	
7	312.41105	NUT, SELF LOCKING	TUERCA AUTOBLOQUEANTE	
8	314.11084	WASHER, FLAT 8,4	ARANDELA PLANA 8,4	
9	314.21083	SUPER WASHER 8	SUPER ARANDELA 8	
10	314.21101	SUPER WASHER 10	SUPER ARANDELA 10	
11	314.23084	WASHER, LOCK 8,4	ARANDELA DE RES. 8,4	
12	331.12530	RIVET 5.3X14	REMACHE TSV 5.3X14	
13	331.12531	RIVET 5.3X18	REMACHE TSV 5.3X18	
14	331.12534	RIVET 5.3X16	REMACHE TSV 5.3X16	
15	524.48920	BLADE CONTROL PIN	PERNO MANDO CUCHILLA	
16	561.59050	BLADE STRIP 30"	PLETINA CUCHILLA 30"	
17	561.59051	BLADE STRIP 40"	PLETINA CUCHILLA 40"	
18	561.59052	BLADE STRIP 45"	PLETINA CUCHILLA 45"	
19	561.59053	BLADE STRIP 53"	PLETINA CUCHILLA 53"	
20	561.59058	PLATE FOR BLADE COUPLING	PLETINA ATTAQUE CUCHILLA	
21	563.48539	PLATE	PLETINA	
22	563.48912	BAR COUPLING	ATAQUE ABRRA	
23	563.48914	SLIDE FOR CUTTER BAR 53"	PATIN PARA BARRA 53"	
24	563.48915	SLIDE FOR CUTTER BAR 45"	PATIN PARA BARRA 45"	
25	563.48929	SLIDE FOR CUTTER BAR 30"	PATIN PARA BARRA 30"	
26	563.48930	SLIDE FOR CUTTER BAR 40"	PATIN PARA BARRA 40"	
27	563.51400	BLADE HOLDER	GUIA CUCHILLA	
28	563.51402	BLADE GUIDE BLOCK	CUBO GUIA CUCHILLA	
29	563.59015	INDIVIDUAL BLADE, SERATED	SECCION CUCHILLA PICADA	
30	NLA	BLADE, SMOOTH USE 563.59015	SECCION CUCHILLA LISA	
31	563.59061	PLATE FOR CLEANING	PLETINA	
32	565.50648	DOUBLE FINGER	DIENTE DOBLE	
33	565.50649	SINGLE FINGER	DIENTE SIMPLE	
34	580.46677	SKID	PATIN CON TORNILLOS	
35	590.48536	BLADE COUPLER	ATAQUE CUCHILLA	



ID	PARTNO	DESCRIPTION	DENOMINACION	NOTES
36	590.59063	BLADE ASSEMBLY, SERATED 30"	CUCHILLA COMBO 30"	
37	590.59064	BLADE ASSEMBLY, SERATED 40"	CUCHILLA COMBO 40"	
38	590.59065	BLADE ASSEMBLY, SERATED 45"	CUCHILLA COMBO 45"	
39	590.59066	BLADE ASSEMBLY, SERATED 53"	CUCHILLA COMBO 53"	
40	590.59069	BLADE ASSEMBLY, SMOOTH 30"	CUCHILLA COMBO LISA 30"	
41	590.48926	BLADE ASSEMBLY, SMOOTH 40"	CUCHILLA COMBO LISA 40"	
42	590.48909	BLADE ASSEMBLY, SMOOTH 45"	CUCHILLA COMBO LISA 45"	
43	590.59072	BLADE ASSEMBLY, SMOOTH 53"	CUCHILLA COMBO LISA 53"	
44	922.48918	END GUARD, PAIR W/ BOLTS AND WASHERS	PROTECCION EXTREMO, PR	

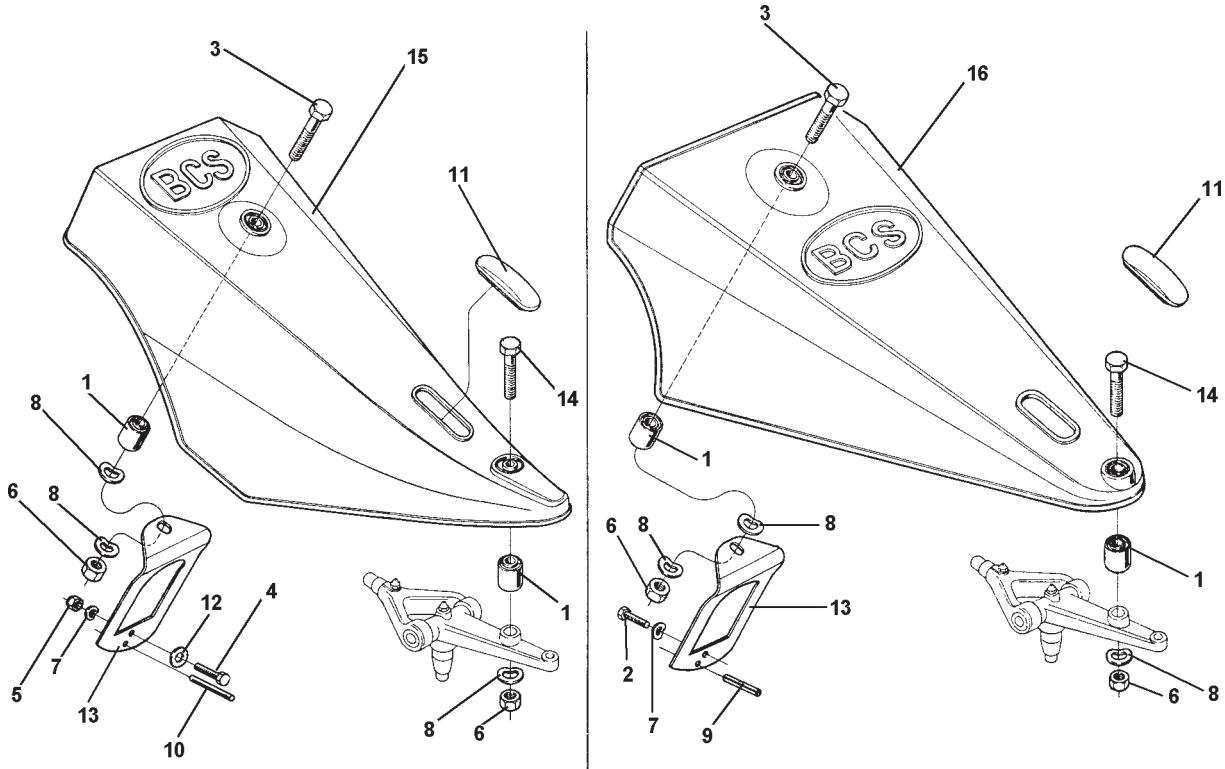
Attachments
Pre 95 Cutter Bars

**Spline Shaft PTO
Cutter Bar Hood**

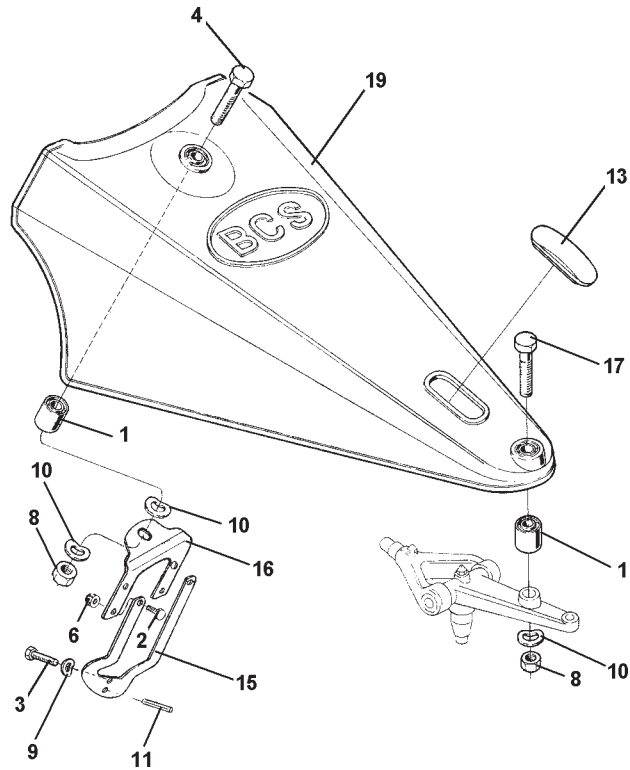
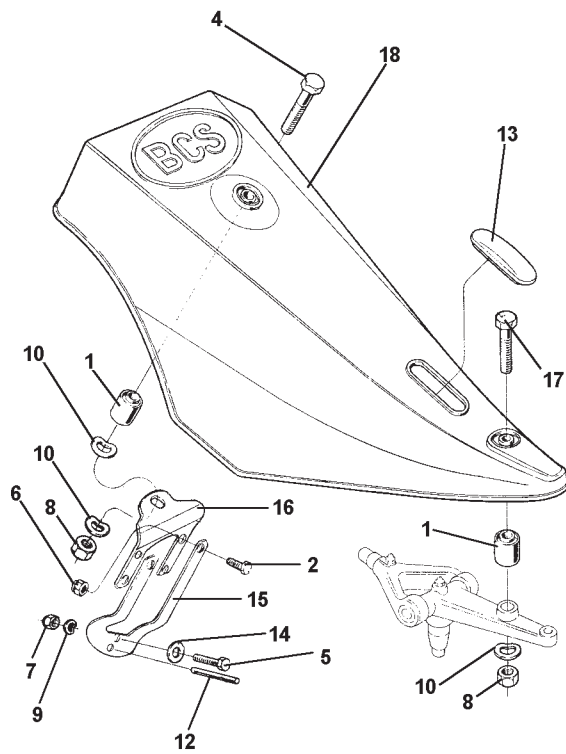
Serial Number Range
10000 - 74000

07.00

REVISED 06/12/03



ID	PARTNO	DESCRIPTION	DENOMINACION	NOTES
1	300.10140	SILENTBLOC 14 X 30 X 25 X 28	SILENTBLOC 14 X 30 X 25 X 28	
2	311.11151	SCREW M8 X 16	TORNILLO M8 X 16	
3	311.11331	SCREW TE M14 X 50	TORNILLO TE M14 X 50	
4	311.12157	SCREW M8 X 50	TORNILLO M8 X 50	
5	312.41080	NUT, SELF LOCKING M8	TUERCA AUTOBLOC. M8	
6	312.41140	NUT, SELF LOCKING M14 LOW	TUERCA AUTOBLOC. M14 BAJA	
7	314.23084	WASHER, LOCK 8.4	ARANDELA DE RES. 8.4	
8	314.23150	WASHER, LOCK 15	ARANDELA DE RES. 15	
9	342.11087	SPRING PIN	ESPINA DE RESISTENCIA	
10	342.11083	PIN, LOCKING 8 X 36	ESPINA DE RES. 8 X 36	
11	551.43495	OVAL PLUG FOR PROTECTION	TAPON OVAL PARA PROTECCION	
12	561.43010	WASHER 8.5 X 24 X 4	ROSETA 8.5 X 24 X 4	
13	563.43842	HOOK SPRING	ENGANCHE A MUELLE	
14	580.43542	SCREW, SPECIAL M14	TORNILLO ESPECIAL M14	
15	590.43567	FT PROTECTION COMPL. POLYES.	PROTEC. DELANTE COMPL. POLIES.	
16	592.49399	GUARD	PROTECCION	16 - THIS HOOD REPLACES THE OTHER HOODS USED ON EARLIER UNITS.



ID	PARTNO	DESCRIPTION	DENOMINACION	NOTES
1	300.10140	SILENTBLOC 14 X 30 X 25 X 28	SILENTBLOC 14 X 30 X 25 X 28	
2	311.11091	SCREW TE M6 X 14	TORNILLO TE M6 X 14	
3	311.11151	SCREW M8 X 16	TORNILLO M8 X 16	
4	311.11331	SCREW TE M14 X 50	TORNILLO TE M14 X 50	
5	311.12157	SCREW M8 X 50	TORNILLO M8 X 50	
6	312.41060	NUT, SELF LOCKING M6	TUERCA AUTOBLOC. M6	
7	312.41080	NUT, SELF LOCKING M8	TUERCA AUTOBLOC. M8	
8	312.41140	NUT, SELF LOCKING M14 LOW	TUERCA AUTOBLOC. M14 BAJA	
9	314.23084	WASHER, LOCK 8.4	ARANDELA DE RES. 8.4	
10	314.23150	WASHER, LOCK 15	ARANDELA DE RES. 15	
11	342.11087	SPRING PIN	ESPINA DE RESISTENCIA	
12	342.11083	PIN, LOCKING 8 X 36	ESPINA DE RES. 8 X 36	
13	551.43495	OVAL PLUG FOR PROTECTION	TAPON OVAL PARA PROTECCION	
14	561.43010	WASHER 8.5 X 24 X 4	ROSETA 8.5 X 24 X 4	
15	563.49400	LOWER COUPLING	ATTAQUE INFERIOR	
16	563.49401	UPPER COUPLING	ATTAQUE SUPERIOR	
17	580.43542	SCREW, SPECIAL M14	TORNILLO ESPECIAL M14	
18	590.43567	FT PROTECTION COMPL. POLYES.	PROTEC. DELANTE COMPL. POLIES.	
19	592.49399	GUARD	PROTECCION	