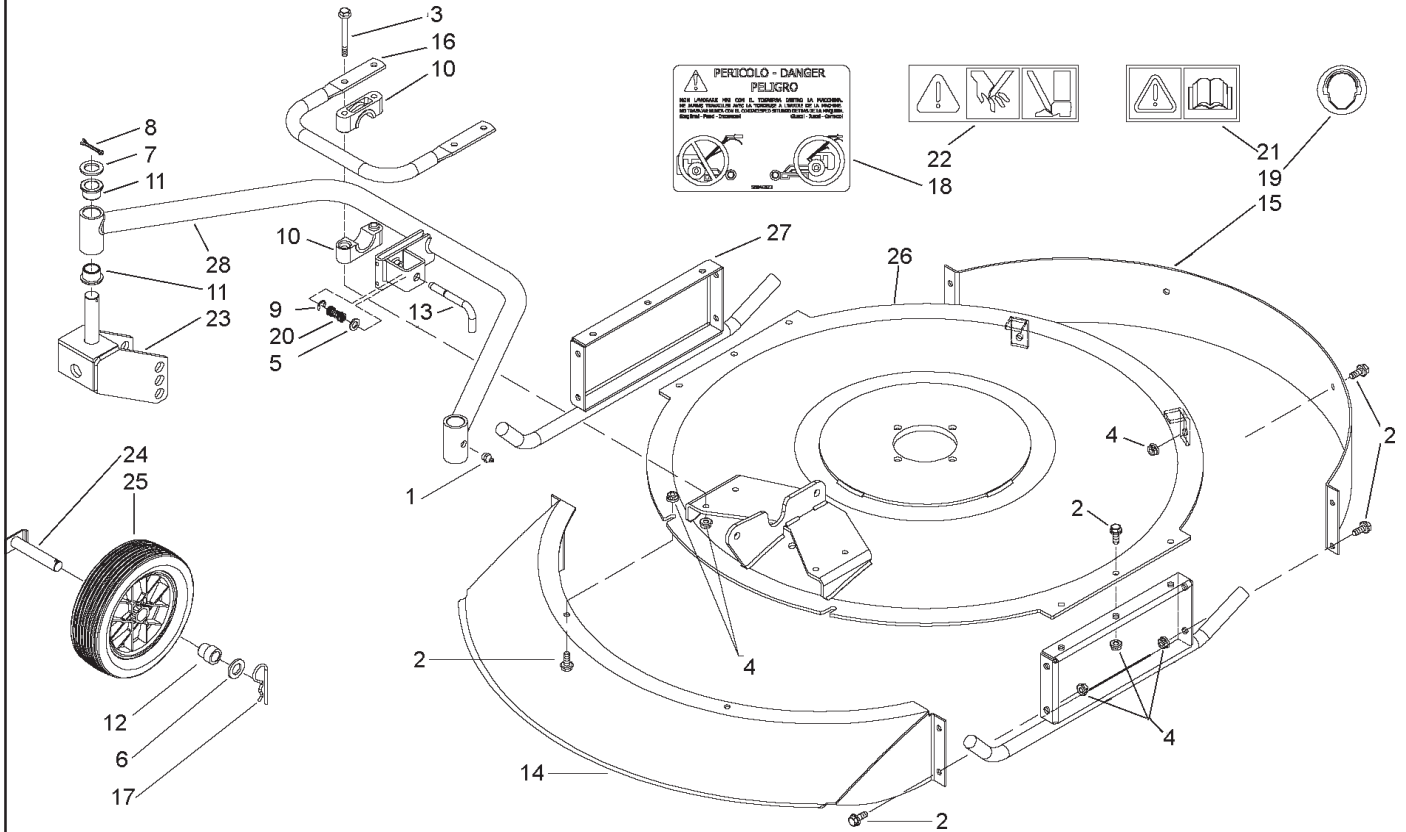
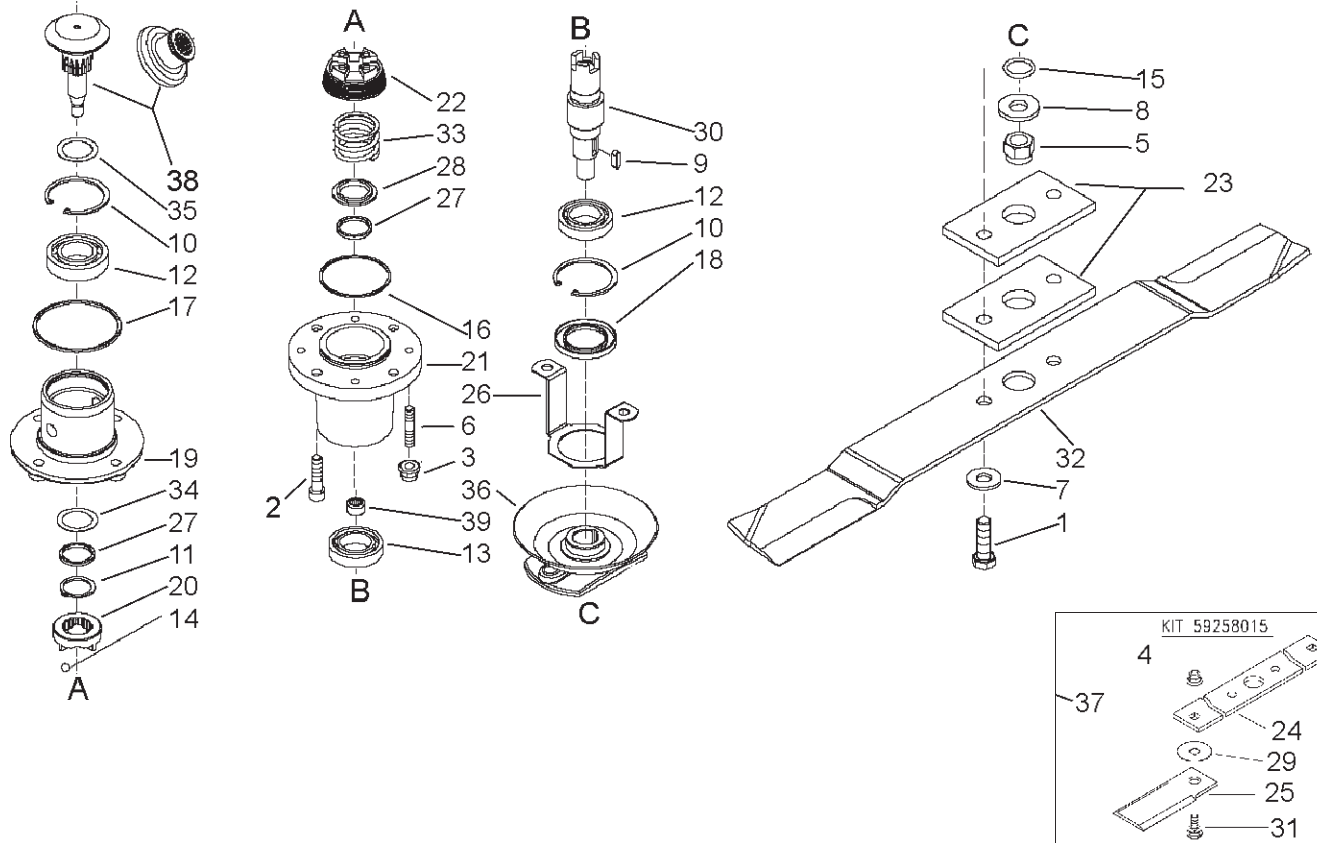




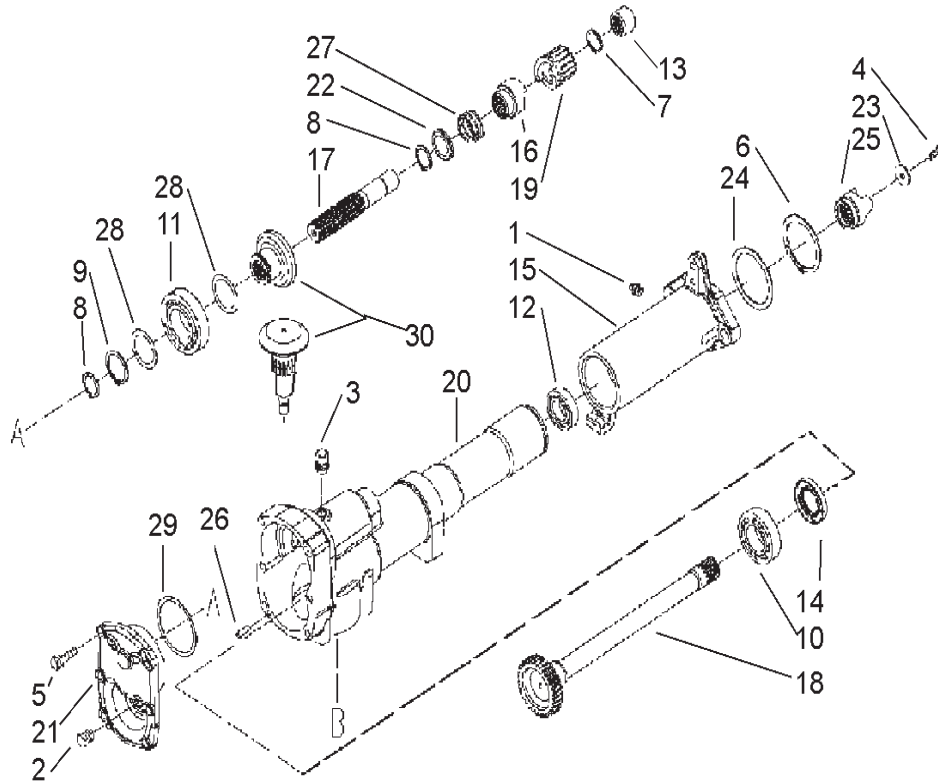
A M E R I C A



ID	PART NO	DESCRIPTION	ID	PART NO	DESCRIPTION
1	300.00001	GREASE ZERK, STRAIGHT	16	561.58049	HANDLE
2	311.12170	SCREW	17	580.02052	PIN
3	311.12172	SCREW	18	580.47978	DECAL,DANGER
4	312.41084	NUT	19	580.48325	DECAL
5	314.11104	WASHER, FLAT, M10.5X18	20	580.52050	SPRING
6	314.11170	WASHER, FLAT, M17X30	21	580.57724	DECAL, INSTRUCTION MANUAL
7	314.12210	WASHER, FLAT, M21	22	580.57769	DECAL, DANGER
8	341.10042	PIN, COTTER, A 4X30	23	590.47357	FORK
9	352.11080	SPLIT RING, OUTSIDE 7	24	590.47370	PIN, WHEEL
10	552.32104	BEARING, DRAW BAR	25	590.47377	WHEEL
11	552.43904	BUSHING	26	590.58025	MOWER PLATE, MAIN
12	552.47373	BUSHING, WHEEL	27	590.58041	SKID, RH
13	561.52053	PIN, ADJUSTING	28	590.58046	SMALL AXLE, WHEEL
14	561.58047	PANEL, FRONT			
15	561.58048	CLAMP, REAR			



ID	PART NO	DESCRIPTION	ID	PART NO	DESCRIPTION
1	311.12330	CAPSCREW, M14X45	29	563.19416	WASHER, BLADE
2	311.52100	CAPSCREW, M10X40	30	564.58097	SHAFT
3	312.41103	LOCK NUT, M10 SELF-LOCK	31	565.19397	KNIFE PIN
4	312.41125	LOCK NUT, SERRATED M12	32	565.58055	BLADE
5	312.41182	LOCK NUT, M18X1.5 LOW	33	580.59099	SPRING, BRAKE
6	313.12103	STUD, M10X46X24X16	34A	581.25949	SHIM (0.2)
7	314.21251	WASHER, SUPER, M14	34B	581.25950	SHIM (0.3)
8	314.21253	WASHER, SUPER, M18	34C	581.25951	SHIM (0.5)
9	343.21060	KEY, FLAT, 6X6X20	35A	581.25949	SHIM (0.2)
10	351.11062	SNAP RING, INTERNAL, D62	35B	581.25950	SHIM (0.3)
11	351.21030	SNAP RING, EXTERNAL, D30	35C	581.25951	SHIM (0.5)
12	371.11300	BEARING, 30X62X16	36	590.58065	HUB, BLADE HOLDER
13	371.12229	BEARING, 30X55X13	37	592.58015	BLADE CONVERSION KIT
14	379.11032	BALL, 5/16	38	593.58089	RING AND PINION SET
15	381.12500	O-RING, 410025.00X3.53	39	F0812504050	BUSHING
16	381.16510	O-RING			
17	381.17897	O-RING			
18	382.14004	OIL SEAL, 40X62X7			
19	524.58096	FLANGE			
20	524.59605	COUPLING			
21	532.58098	FLANGE, BRAKE SIDE			
22	541.58088	BRAKE CONE			
23	561.58054	SPACER, BLADE			
24	561.58070	BLADE HOLDER			
25	561.58071	SWING BLADE			
26	561.58077	RETAINER			
27	561.58095	SPACER			
28	561.59613	BEARING ASSEMBLY			



ID	PART NO	DESCRIPTION	ID	PART NO	DESCRIPTION
1	300.00001	GREASE ZERK, STRAIGHT	28B	581.25941	SHIM (0.3)
2	300.40001	PLUG 1/4"	28C	581.25942	SHIM (0.5)
3	300.40008	PLUG	29A	581.25946	SHIM (0.2)
4	311.12090	CAP SCREW, M6X16	29B	581.25947	SHIM (0.3)
5	311.12167	SCREW	29C	581.25948	SHIM (0.5)
6	351.21060	CIRCLIP, D60	30	593.58089	RING AND PINION SET
7	351.21023	RING			
8	351.21024	SNAP RING, EXTERNAL D24			
9	351.21035	SNAP RING, EXTERNAL D35			
10	371.11300	BEARING, 30X62X16			
11	371.11350	BEARING, 35X72X17			
12	371.12252	BEARING, 25X47X12			
13	373.31222	BUSHING			
14	382.13005	OIL SEAL			
15	513.58961	BUSHING			
16	524.58086	COUPLING			
17	524.58087	SHAFT, DEFLECTION			
18	524.58091	SHAFT, INPUT			
19	524.58092	GEAR, DRIVEN			
20	532.58090	GEARBOX HOUSING			
21	532.58093	GEARBOX COVER			
22	561.58084	RETAINER			
23	561.58943	WASHER			
24	563.58964	RING, SPACER 1.5			
25	564.58942	COUPLER			
26	580.43053	PIN CYLINDRICAL			
27	580.56434	SPRING			
28A	581.25940	SHIM (0.2)			