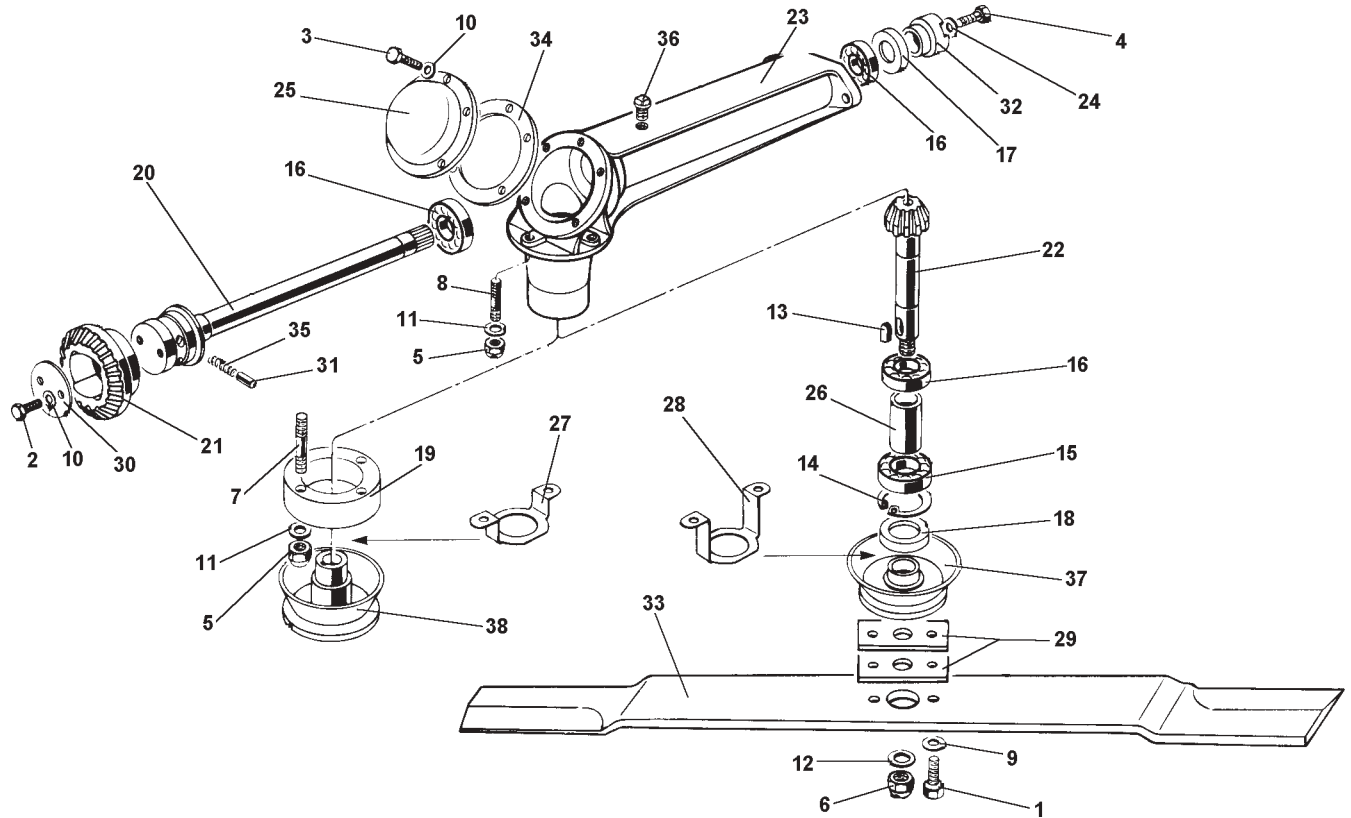
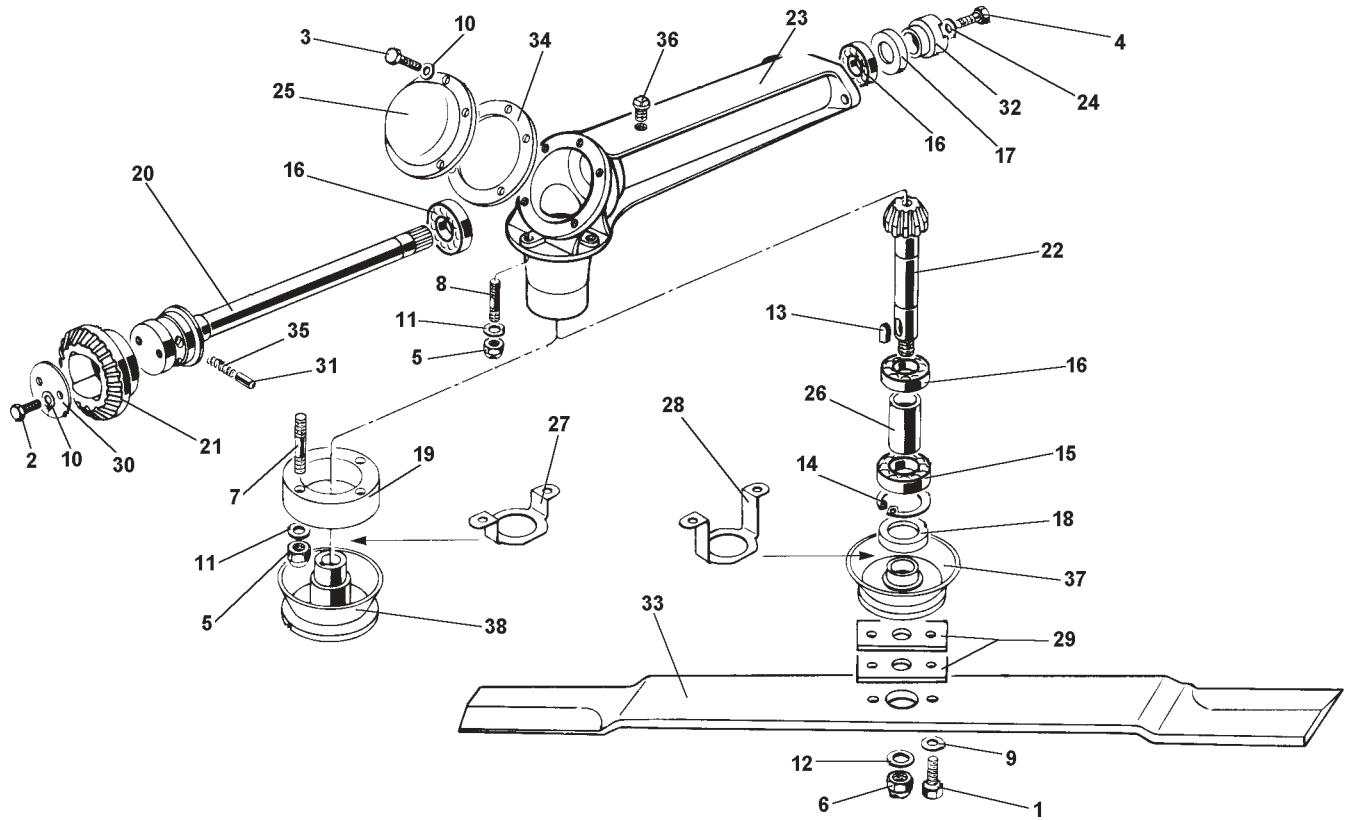




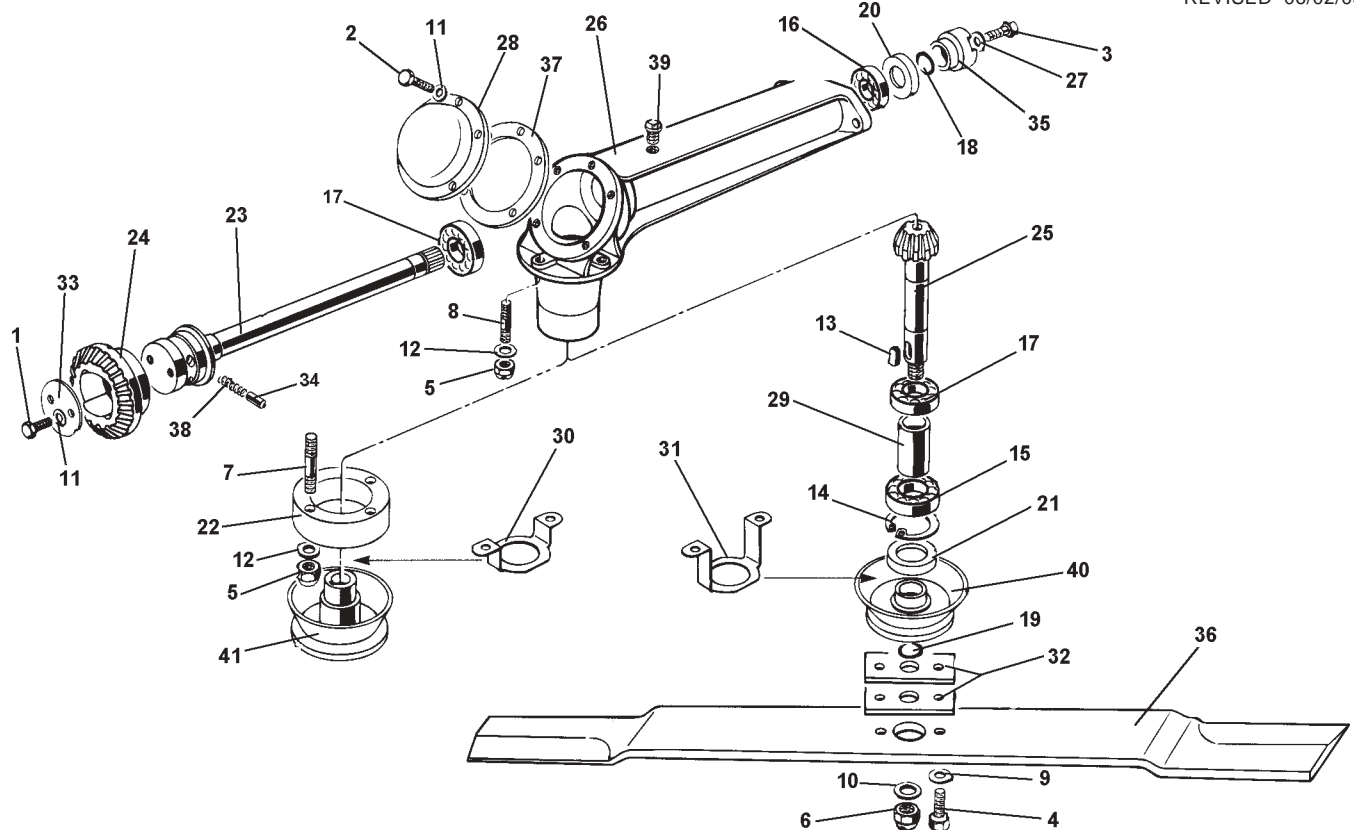
A M E R I C A



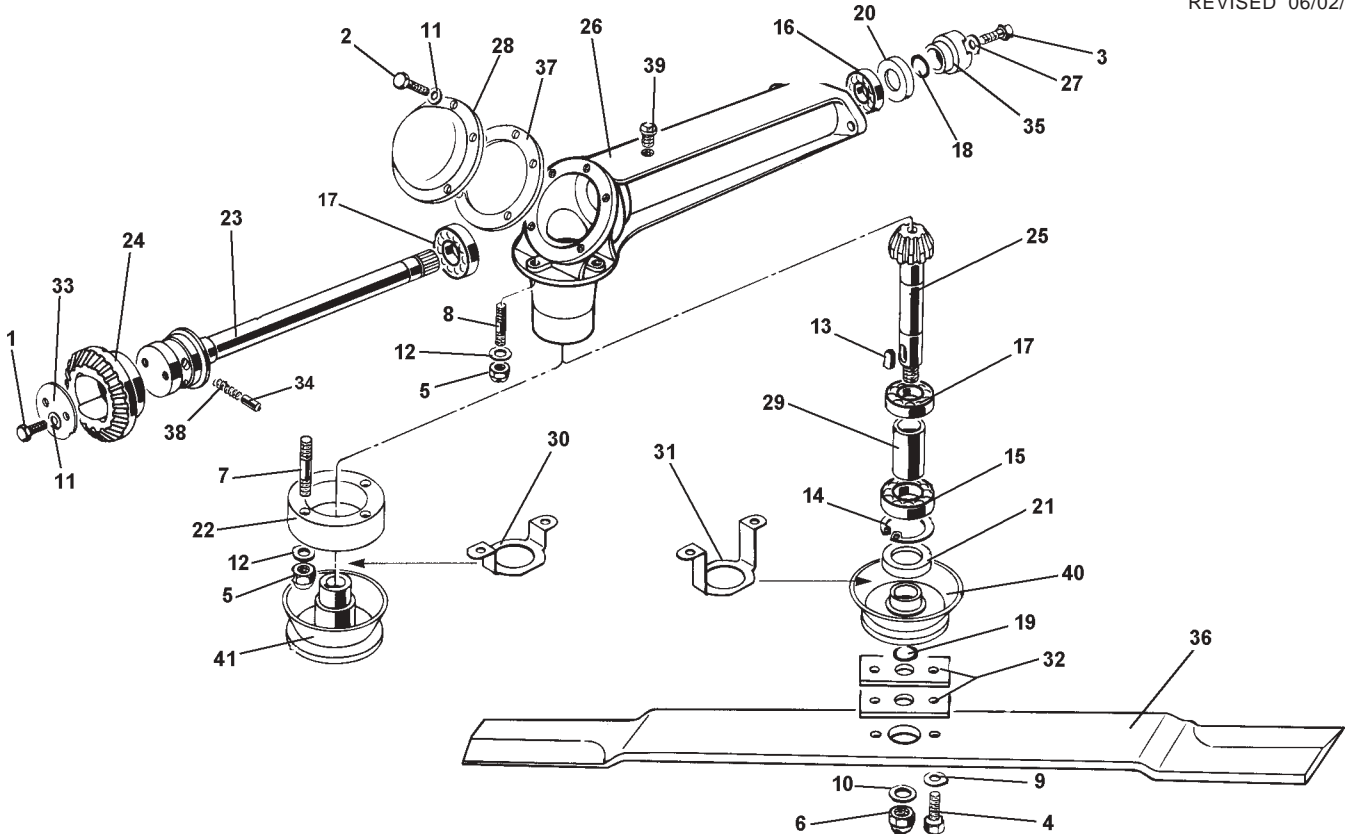
ID	PARTNO	DESCRIPTION	DENOMINACION	NOTES
1	311.11331	SCREW TE M14 X 50	TORNILLO TE M14 X 50	
2	311.12082	SCREW M6 X 12	TORNILLO M6 X 12	
3	311.12090	SCREW TE M6 X 16	TORNILLO TE M6 X 16	
4	311.12093	SCREW TE M6 X 20	TORNILLO TE M6 X 20	
5	312.41080	NUT, SELF LOCKING M8	TUERCA AUTOBLOC. M8	
6	312.41182	NUT, SELF LOCKING M18 X 1.5	TUERCA AUTOBLOC. M18 X 1.5	
7	313.12085	STUD	PRISIONERO	
8	313.12088	STUD M8 X 40 X 14 X 14	PRISIONERO M8 X 40 X 14 X 14	
9	314.21251	SUPER WASHER	SUPER ARANDELA	
10	314.22064	WASHER, LOCK 6.4	ARANDELA DE RES. 6.4	
11	314.23084	WASHER, LOCK 8.4	ARANDELA DE RES. 8.4	
12	314.23185	WASHER, LOCK	ARANDELA DE RES.	
13	343.21060	KEY, 6 X 6 X 20	LINGUETA PLANA 6 X 6 X 20	
14	351.11062	CIRCLIP, INTERNAL D 62	SEEGER INT. D 62	
15	371.11251	BEARING 25 X 62 X 17 6305	COJINETE 25 X 62 X 17 6305	
16	371.11255	BEARING 25 X 52 X 15	COJINETE 25 X 52 X 15	
17	382.13500	OIL SEAL 35 X 47 X 7 STANDARD	CHAPA RET. AC. 35 X 47 X 7 NORM.	
18	382.14004	OIL SEAL 40 X 62 X 7	CHAPA RET. AC. 40 X 62 X 7	
19	511.48600	SPACER	SEPARADOR	
20	524.58028	SHAFT FOR GEAR	ARBOL PARA CORONA	
21	524.58030	RING BEVEL GEAR	CORONA CONICA	
22	524.58031	BEVEL PINION	PINION CONICO	
23	532.58026	MOWER CASING	CUERPO CORTA-HIERBA	
24	561.42291	WASHER 7 X 25 X 4	ARANDELA 7 X 25 X 4	
25	561.43605	COVER	TAPA	
26	561.58033	SPACER	SEPARADOR	
27	561.58052	OIL SEAL PROTECTOR	PROTECCION CHAPA RET. ACEITE	
28	561.58053	OIL SEAL PROTECTOR	PROTECCION CHAPA RET. ACEITE	
29	561.58054	BLADE SPACER	SEPARADOR CUCHILLA	
30	563.48584	DISC, GEAR LOCKING	DISCO BLOCAJE CORONA	
31	564.43655	CAP	PUNTAL	
32	564.48398	COUPLING	ACOPLAMIENTO	
33	565.58056	BLADE	CUCHILLO	
34	580.43606	GASKET	GUARNICION	
35	580.43654	SPRING	MUELLE	



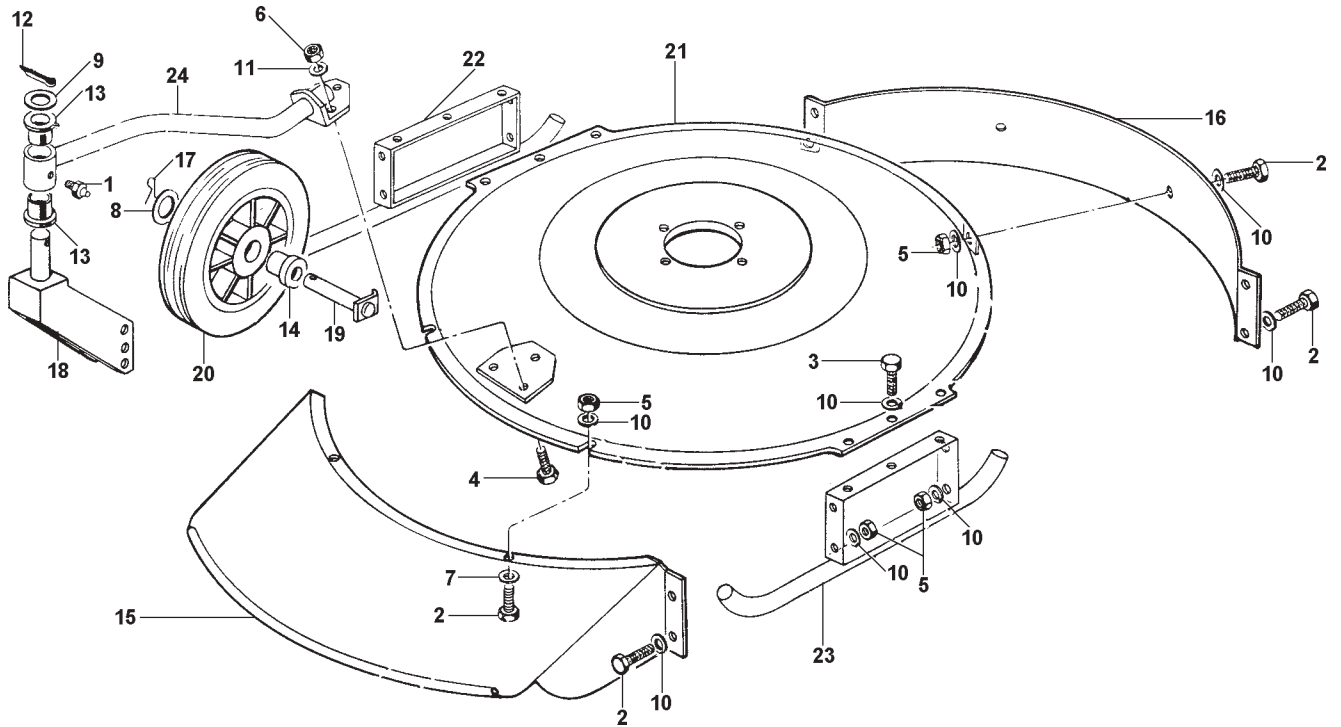
ID	PART NO	DESCRIPTION	DENOMINACION	NOTES
36	590.51045	BREATHER CAP 1/4	TAPON RESPIRACION 1/4	
37	590.58057	BLADE HOLDER HUB	CUBO PORTO-CUCHILLO	
38	590.58060	BLADE HOLDER HUB	CUBO PORTO-CUCHILLO	



ID	PARTNO	DESCRIPTION	DENOMINACION	NOTES
1	311.12082	SCREW M6X12	TORNILLO M6X12	
2	311.12090	SCREW TE M6X16	TORNILLO TE M6X16	
3	311.12093	SCREW TE M6X20	TORNILLO TE M6X20	
4	311.12330	SCREW M14X45	TORNILLO M14X45	
5	312.41080	NUT, SELF LOCKING M8	TUERCA AUTOBLOC. M8	
6	312.41182	NUT, SELF LOCKING M18X1.5	TUERCA AUTOBLOC. M18X1.5	
7	313.12085	STUD	PRISONERO	
8	313.12088	STUD M8X40X14X14	PRISONERO M8X40X14X14	
9	314.21251	SUPER WASHER	SUPER ARANDELA	
10	314.21253	SUPER WASHER	SUPER ARANDELA	
11	314.22064	WASHER, LOCK 6.4	ARANDELA DE RES. 6.4	
12	314.23084	WASHER, LOCK 8.4	ARANDELA DE RES. 8.4	
13	343.21060	KEY, 6X6X20	LINGUETA PLANA 6X6X20	
14	351.11062	CIRCLIP, INTERNAL D 62	SEEGER INT. D 62	
15	371.11251	BEARING 25X62X17	COJINETE 25X62X17 6305	
16	371.11253	BEARING 25X47X12	COJINETE 25X47X12	
17	371.11255	BEARING 25X52X15	COJINETE 25X52X15	
18	381.11800	"O" RING 18.64X3.53	OR 18.64X3.53	
19	381.12500	"O" RING 25X3.53	OR 25X3.53	
20	382.13500	OIL SEAL 35X47X7	GUARNICION 35X47X7 NORMAL	
21	382.14004	OIL SEAL 40X62X7	GUARNICION 40X62X7	
22	511.48600	SPACER	SEPARADOR	
23	524.58028	SHAFT FOR GEAR	ARBOL PARA CORONA	
24	524.58030	RING BEVEL GEAR	CORONA CONICA	
25	524.58064	BLADE PINION SHAFT	PINION CONCIO	
26	532.58026	MOWER CASING	CUERPO CORTA-HIERBA	
27	561.42291	WASHER 7X25X4	ARANDELA 7X25X4	
28	561.43605	COVER	TAPA	
29	561.58033	SPACER	SEPARADOR	
30	561.58052	OIL SEAL PROTECTOR	PROTECCION CHAPA RET.	
31	561.58053	OIL SEAL PROTECTOR	PROTECCION CHAPA RET.	
32	561.58054	BLADE SPACER	SEPARADOR CUCHILLA	
33	563.48584	DISC, GEAR LOCKING	DISCO BLOCAJE CORONA	
34	564.43655	CAP	PUNTAL	
35	564.48398	COUPLING	ACOPLAMIETO	



ID	PARTNO	DESCRIPTION	DENOMINACION	NOTES
36	565.58055	BLADE	BLADE	
37	580.43606	GASKET	GUARNICION	
38	580.43654	SPRING	MUELLE	
39	590.51045	BREATHER CAP 1/4	TAPON RESPIRACION 1/4	
40	590.58065	BLADE HOLDER HUB	CUBO PORTA CUCHILLA	
41	590.58067	BLADE HOLDER HUB	CUBO PORTA CUCHILLA	



ID	PART NO	DESCRIPTION	DENOMINACION	NOTES
1	300.00001	LUBRICATOR M10	ENGRASADOR M10	
2	311.12150	SCREW M8X20	TORNILLO M8X20	
3	311.12151	SCREW TE M8X25	TORNILLO TE M8X25	
4	311.12211	SCREW TE M10X30	TORNILLO TE M10X30	
5	312.41080	NUT, SELF LOCKING M8	TUERCA AUTOBLOC. M8	
6	312.41100	NUT, SELF LOCKING M10	TUERCA AUTOBLOC. M10	
7	314.11084	WASHER, FLAT	ARANDELA PLANA	
8	314.11170	WASHER, FLAT	ARANDELA PLANA	
9	314.12210	WASHER, FLAT	ARANDELA PLANA	
10	314.23084	WASHER, LOCK	ARANDELA DE RES.	
11	314.23105	WASHER, LOCK 10.5	ARANDELA DE RES. 10.5	
12	341.10042	COTTER PIN 4X30	PASADOR 4X30	
13	552.43904	BUSHING	CASQUILLO	
14	552.47373	SMALL WHEEL BUSHING	CASQUILLO PARA RUEDA	
15	561.58047	FRONT END	EXTREMIDAD ANTERIOR	
16	561.58048	REAR CLAMP	BIDA POSTERIOR	
17	580.02052	PIN	CLAVIAT	
18	590.47357	FORK	HORQUILLA	
19	590.47370	SMALL WHEEL PIN	PERNO RUEDA	
20	590.47377	SMALL WHEEL	RUEDA	
21	590.58035	MOWER PLATE	PLATO CORTA -HIEBRA	
22	590.58041	RIGHT SIDE SKID	CAJA DE PROTECCION DERECHA	
23	590.58042	LEFT SIDE SKID	CAJA DE PROTECCION IZQUIERDA	
24	590.58050	CASTER SUPPORT	CUPPORT	