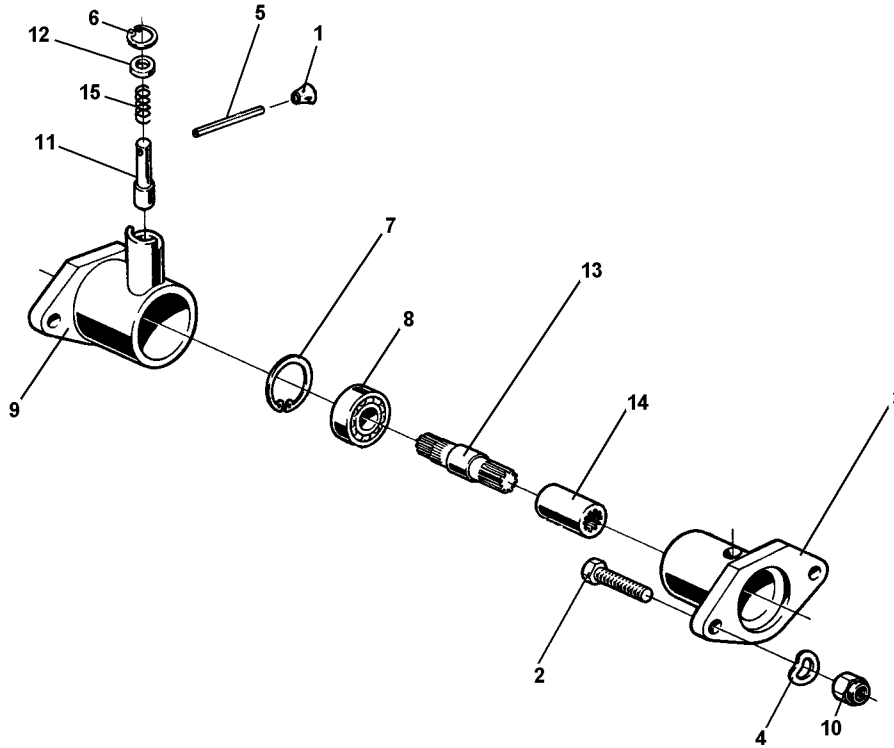




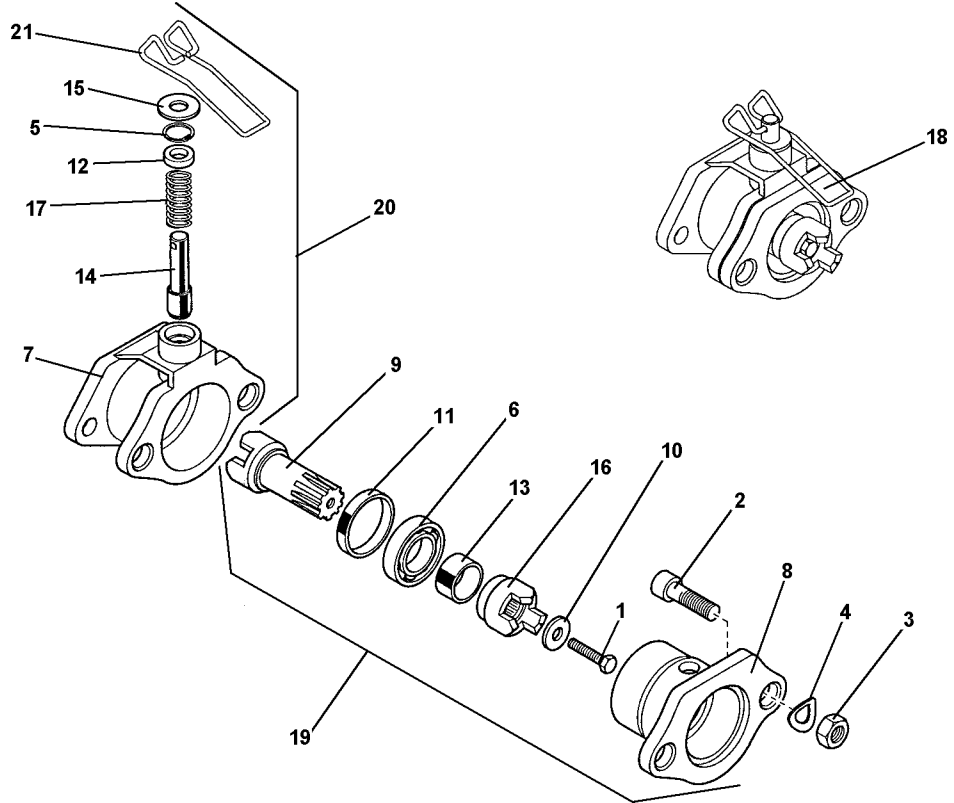
---

A M E R I C A

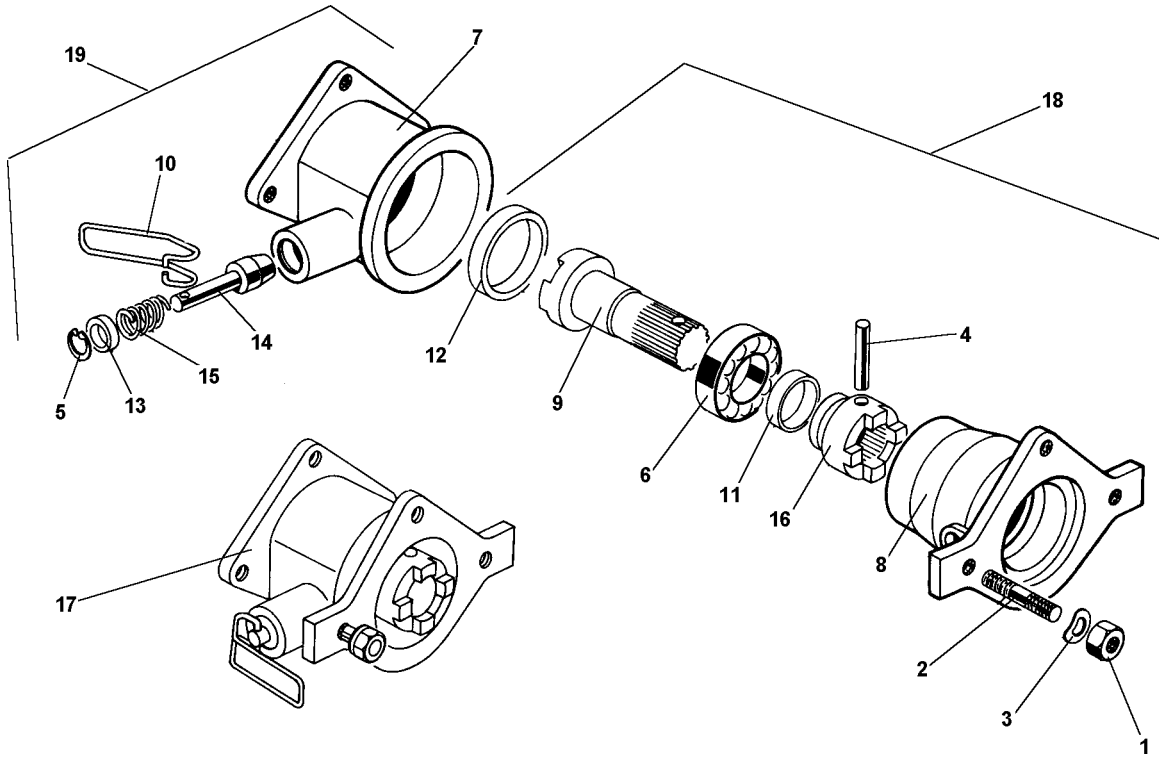
---



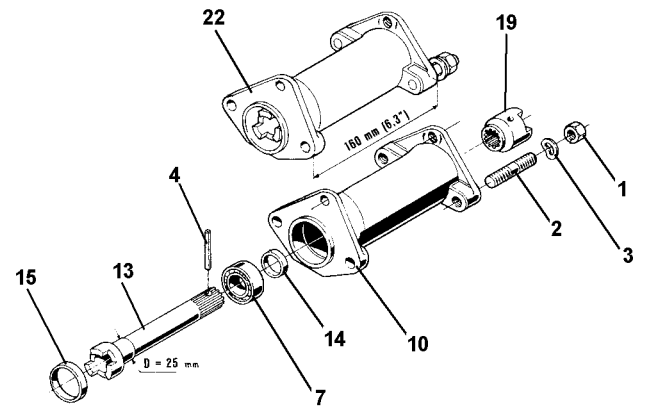
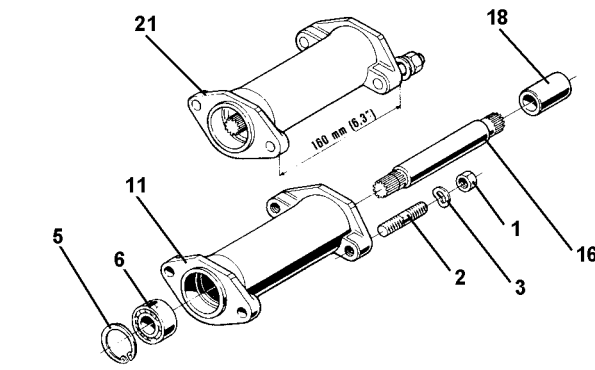
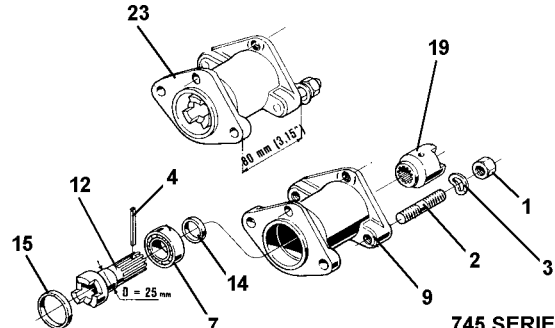
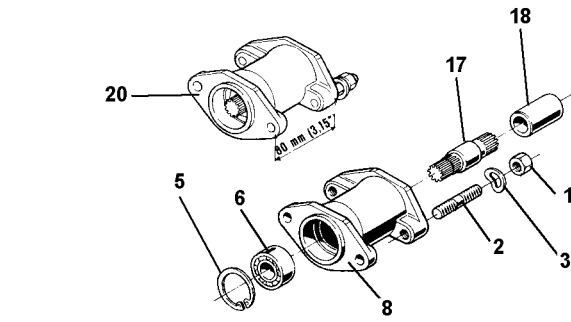
ID	PARTNO	DESCRIPTION	DENOMINACION	NOTES
1	300.40006	CAP	TAPON	5 - THIS "T" HANDLE REPLACES THE RING USED ON EARLIER UNITS.
2	311.12263	SCREW TE M12 X 45 UNI	TORNILLO TE M12 X 45 UNI	
3	513.49827	QUICK HITCH BUSH	ARANDELA ENGANCHE RAPIDO	
4	314.23130	WASHER, LOCK 13	ARANDELA DE RES. 13	
5	<b>342.13066</b>	<b>LOCKING PIN 6 X 60</b>	<b>ESPINA DE RES. 6 X 60</b>	
6	351.11020	INSIDE CIRCLIP	SEEGER INTERNO	
7	351.11047	CIRCLIP, INTERN. D 47	SEEGER INT. D 47	
8	371.12200	BEARING 20 X 47 X 14 6204 2RS ST	COJINETE 20 X 47 X 14 6204 2RS ST	
9	513.49826	QUICK HITCH BODY	CUERPO ENGANCHE RAPIDO	
10	312.41120	NUT, SELF LOCKING M12	TUERCA AUTOBLOC. M12	
11	561.49828	FERRULE	PUNTAL	
12	561.49829	WASHER	ARANDELA	
13	564.43813	SHAFT	ARBOL	
14	564.43814	BUSHING, GROOVED	CASQUILLO ACANALADO	
15	580.49830	FERRULE SPRING	MUELLE PUNTAL	



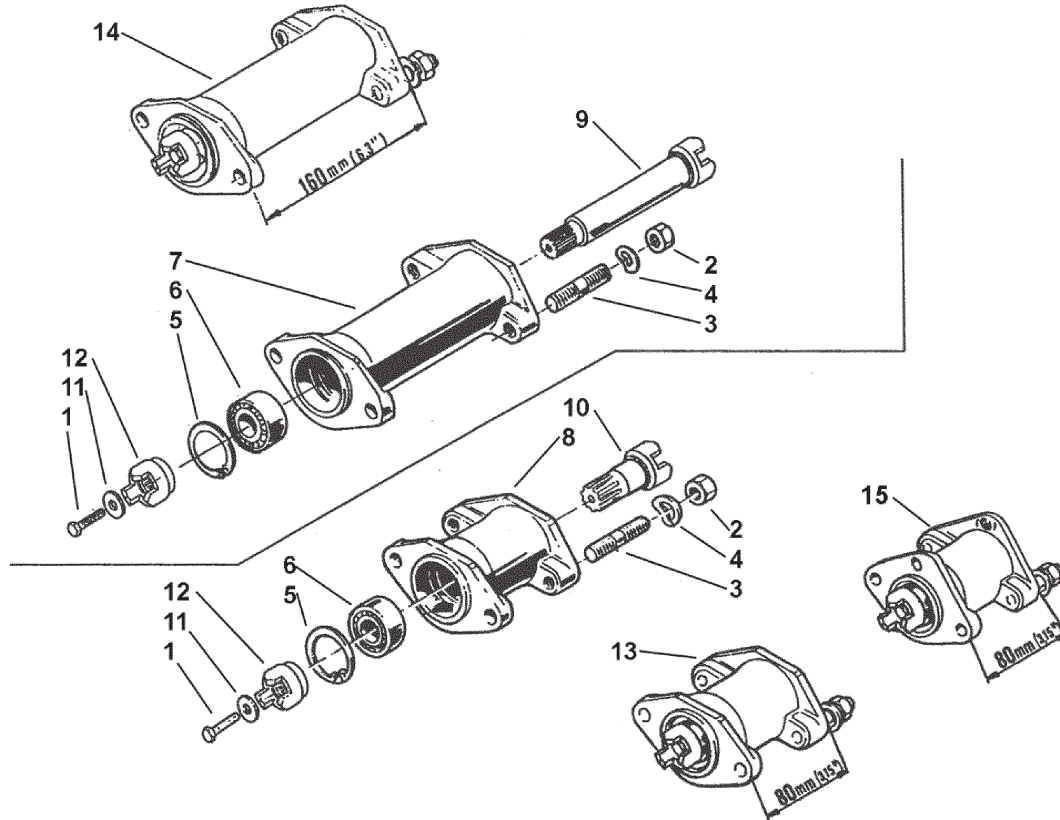
ID	PARTNO	DESCRIPTION	DENOMINACION	NOTES
1	311.12093	SCREW, M6 X 20	TORNILLO M6 X 20	
2	311.52123	SCREW M12 X 45	TORNILLO M12 X 45	
3	312.41120	NUT, SELF LOCKING M12	TUERCA AUTOBLOC. M12	
4	314.23130	WASHER, LOCK M12	ARANDELA DE RES. M12	
5	351.11020	CIRCLIP, INTERNAL	SEEGER INTERNO	
6	371.12252	BEARING M25 X 47 X 12	COJINETE M25 X 47 X 12	
7	513.57850	BUSHING FOR QUICK HITCH	CASQUILLO PARA ATTAQUE RAPIDO	
8	513.57851	TANG CASE FOR QUICK HITCH	COMPLEMENTO PARA ATTAQUE RAP.	
9	524.57852	TANG SHAFT	ARBOL PARA COMPLEMENTO AT. RAP.	
10	561.42291	WASHER	ARANDELA	
11	561.48747	EXTENSION RING	ANILLO PROLONGACION	
12	561.49829	WASHER	ARANDELA	
13	561.57853	RING FOR COUPLER	ANILLO PARA ACOPLAMIENTO	
14	561.57854	PUSH ROD	PUNTAL BARRA	
15	561.57856	WASHER	ARANDELA	
16	564.58942	3-DOG COUPLING	ATTAQUE	
17	580.49830	SPRING	MUELLE PUNTAL	
18	922.90825	QUICK HITCH ASSEMBLY	ENGANCHE RAPIDO	
19	922.90826	QUICK HITCH TANG	COMPLEMENTO RAPIDO	
20	922.90827	QUICK HITCH BUSHING	CASQUILLO ENGANCHE RAPIDO	
21	F0305017125	LEVER	PALANCA	
22	F0828468050	GRIP FOR LEVER (NOT PICTURED)		



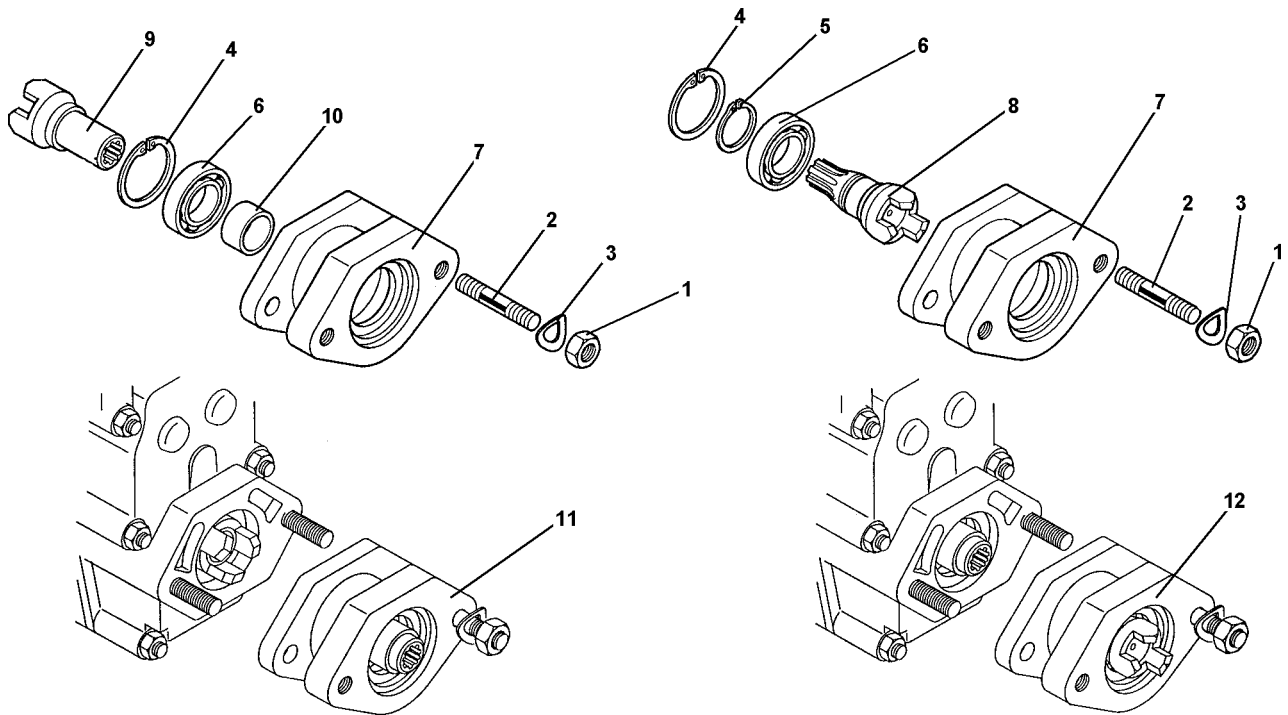
ID	PART NO	DESCRIPTION	DENOMINACION	NOTES
1	312.21121	NUT, M12 X 1.25	TUERCA M12 X 1.25	
2	313.12121	STUD M12 X 1.25 X 40 X 11 X 25	PRISIONERO M12 X 1.25 X 40 X 11 X 25	
3	314.23130	WASHER, LOCK 13	ARANDELA DE RES. 13	
4	342.13064	LOCKING PIN 6 X 40	ESPINA DE RES. 6 X 40	
5	351.11020	CIRCLIP, INTERNAL	SEEGER INTERNO	
6	371.12252	BEARING 25 X 47 X 12	COJINETE 25 X 47 X 12	
7	513.55002	BUSHING FOR QUICK HITCH	CASQUILLO PARA ATTAQUE RAPIDO	
8	513.55008	TANG FOR QUICK HITCH	COMPLEMENTO PARA ATTAQUE RAP.	
9	524.55009	TANG SHAFT	ARBOL PARA COMPLEMENTO AT. RAP.	
10	561.42880	LEVER	PALANCA	
11	561.43865	RING FOR HALF AXLE	ANILLO PARA BARRA	
12	561.48747	EXTENSION RING	ANILLO PROLONGACION	
13	561.49829	WASHER	ARANDELA	
14	564.55017	PUSH ROD	PUNTAL BARRA	
15	580.55007	PUSH ROD SPRING	MUELLE PARA PUNTAL BARRA	
16	590.55010	COUPLING	ATTAQUE	
17	922.55000	QUICK HITCH ASSEMBLY	ATTAQUE RAPIDO PARA APEROS COMP.	
18	922.55006	TANG ASSEMBLY	COMPLEMENTO PARA ARBOL	
19	922.55012	BUSHING ASSEMBLY	COMPLEMENTO PARA CASQUILLO	



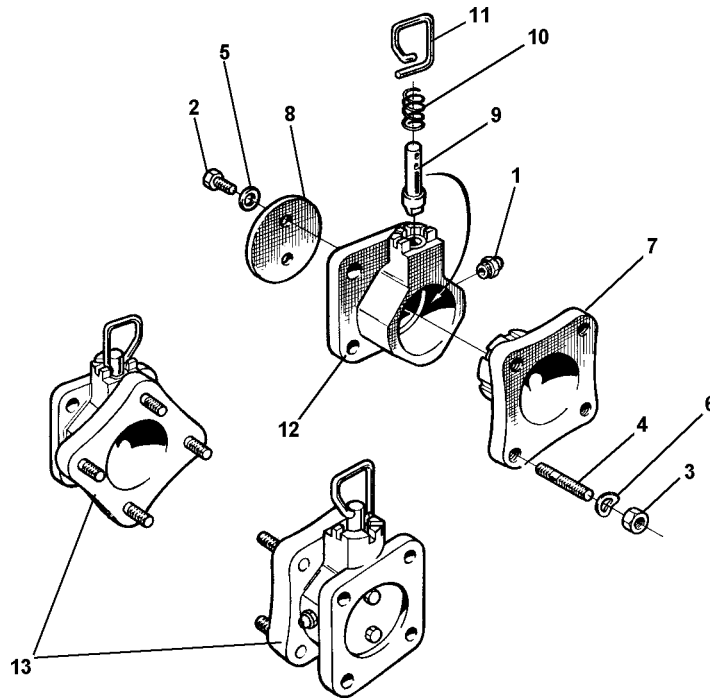
ID	PART NO	DESCRIPTION	DENOMINACION	NOTES
1	312.21121	NUT M12 X 1.25 UNI 5587 6S	TUERCA M12 X 1.25 UNI 5587 6S	
2	313.12124	STUD 56XM12X1.25X26XM12X22 8G	PRIS. 56XM12X1.25X26XM12X22 8G	
3	314.23130	WASHER, LOCK 13	ARANDELA DE RES. 13	
4	342.13064	LOCKING PIN 6 X 40	ESPINA DE RES. 6 X 40	
5	351.11047	CIRCLIP, INTERN. D 47	SEEGER INT. D 47	
6	371.12200	BEARING 20 X 47 X 14 6204 2RS ST	COJINETE 20 X 47 X 14 6204 2RS	
7	371.12252	BEARING 25 X 47 X 12 2RS 6005	COJINETE 25 X 47 X 12 ST 2RS 6005	
8	513.43812	EXTENSION, MM 80	PROLONGACION MM 80	
9	513.48712	HOUSING, P.T.O. EXTENSION	CUERPO, T.D.F. ENGNACHE	
10	513.48714	EXTENSION BODY	CUERPO PROLONGACION	
11	513.48736	EXTENSION BODY 160 MM	CUERPO PROLONGACION 160 MM	
12	524.48745	EXTENSION SHAFT	ARBOL PROLONGACION	
13	524.48746	EXTENSION SHAFT	ARBOL PROLONGACION	
14	561.43865	RING FOR HALF AXLE	ANILLO PARA BARRA	
15	561.48747	EXTENSION RING	ANILLO PROLONGACION	
16	562.48737	SHAFT FOR EXTENSION 16 CM	EJE PROLONGACION 16 CM	
17	564.43813	SHAFT	ARBOL	
18	564.43814	BUSHING, GROOVED	CASQUILLO ACANALADO	
19	590.55010	COUPLING	ATTAQUE	
20	922.00010	PTO EXTENSION 3"	PROLONGACION APEROS 80 MM	
21	922.00014	PTO EXTENSION 6"	PROLONGACION APEROS 160 MM	
22	922.48734	PTO EXTENSION 6" (745 ONLY)	PROLONGACION APEROS 160 MM	
23	922.48748	PTO EXTENSION 3" (745 ONLY)	PROLONGACION APEROS 80 MM	



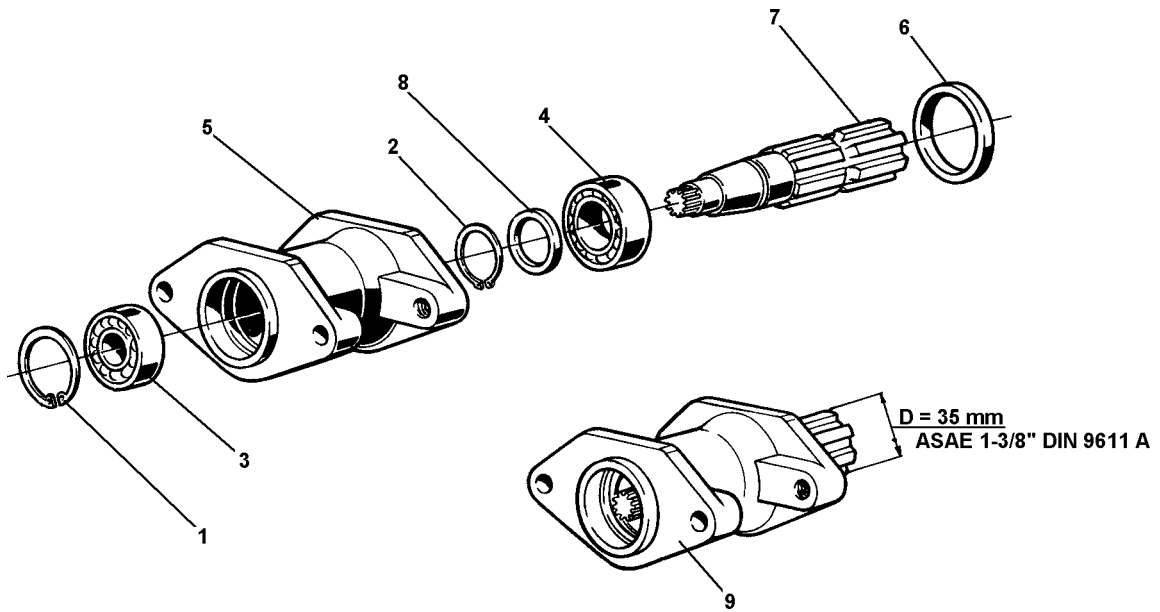
ID	PARTNO	DESCRIPTION	DENOMINACION	NOTES
1	311.12090	SCREW, M6X16	TORNILLO M6X16	
2	312.21121	NUT M12 X 1.25 UNI 5587 6S	TUERCA M12 X 1.25 UNI 5587 6S	
3	313.12124	STUD 56XM12X1.25X26XM12X22	PRIS. 56XM12X1.25X26XM12X22 8G	
4	314.23130	WASHER, LOCK 13	ARANDELA DE RES. 13	
5	351.11047	CIRCLIP, INTERN. D 47	SEEGER INT. D 47	
6	371.12252	BEARING 25 X 47 X 12 2RS 60	COJINETE 25 X 47 X 12 ST 2RS 6005	
7	513.57863	EXTENSION BODY 160 MM	CUERPO PROLONGACION 160 MM	
8A	513.57864	EXTENSION BODY 3"	CUERPO PROLONGACION	700 & 800 SERIES TRACTORS
8B	513.59229	EXTENSION BODY 3"	CUERPO PROLONGACION	900 SERIES TRACTOR ONLY
9	524.57865	EXTENSION SHAFT	ARBOL PROLONGACION	
10	524.57866	EXTENSION SHAFT	ARBOL PROLONGACION	
11	561.58943	WASHER, SPECIAL	ARANDELA SPECIAL	
12	564.58942	COUPLING	ATTAQUE	
13	922.90829	PTO EXTENSION 3"	PROLONGACION APEROS 80 MM	700 & 800 SERIES TRACTORS
14	922.90830	PTO EXTENSION 6" - NLA	PROLONGACION APEROS 160 MM	700 & 800 SERIES TRACTORS
15	922.90876	PTO EXTENSION 3"	PROLONGACION APEROS 80 MM	900 SERIES TRACTOR ONLY



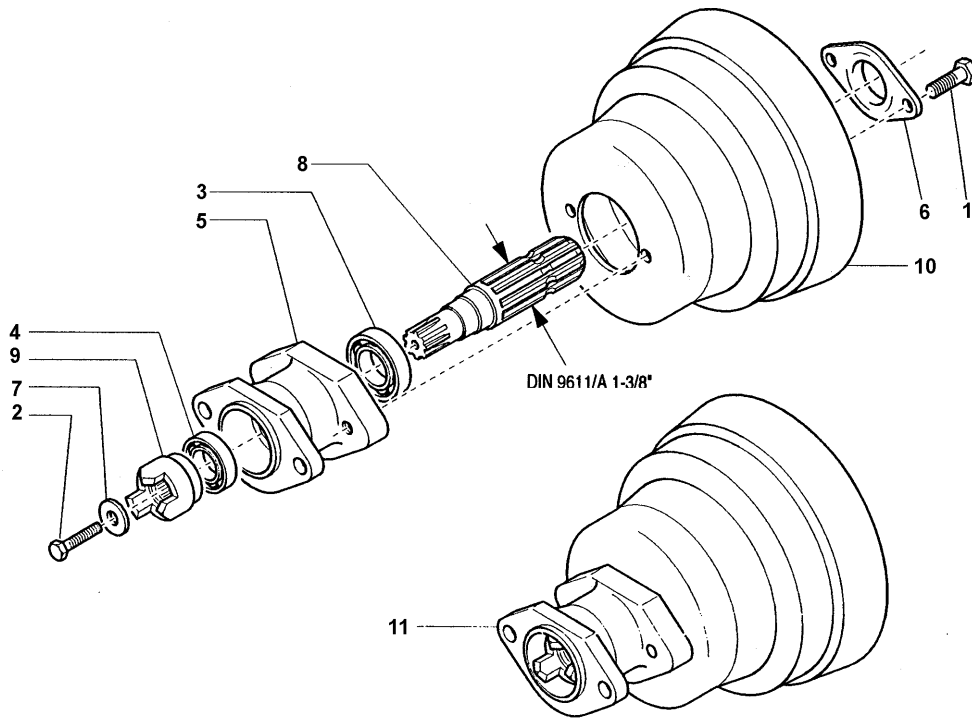
ID	PARTNO	DESCRIPTION	DENOMINACION	NOTES
1	312.21121	NUT, SELF LOCKING M12	TUERCA AUTOBLOC. M12	
2	313.12124	STUD, M12 X 1.25 X 12 X 52	PRISIONERO M12 X 1.25 X 12 X 52	
3	314.23130	WASHER, LOCK M13	ARANDELA DE RES. M13	
4	351.11047	CIRCLIP, INTERNAL	SEEGER INTERNO	
5	351.21030	CIRCLIP, EXTERNAL	SEEGER EXT.	
6	371.12252	BEARING, M25 X 47 X 12	COJINETE M25 X 47 X 12	
7	513.57869	HOUSING	CASQUILLO BARRA	
8	524.57870	SHAFT	ARBOL BARRA	
9	524.57874	SHAFT	ARBOL BARRA	
10	561.48184	SPACER	SEPARADOR	
11	922.90831	ADAPTER, NEW TRACTOR OLD ATT.	ADAPTOR	
12	922.90832	ADAPTER, OLD TRACTOR NEW ATT.	ADAPTOR	



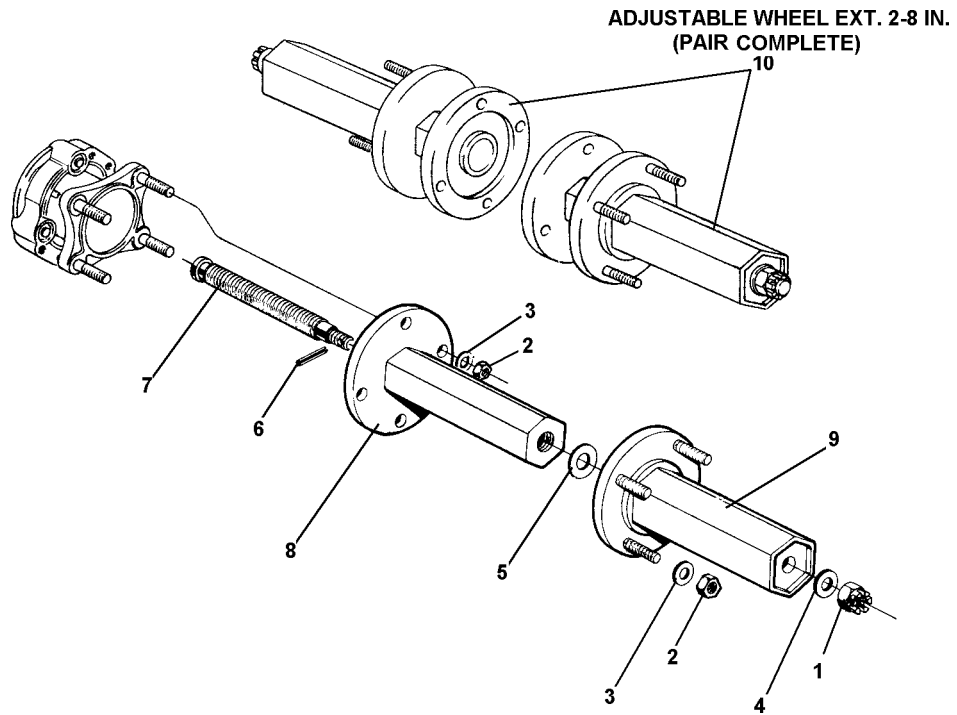
ID	PARTNO	DESCRIPTION	DENOMINACION	NOTES
1	300.00001	LUBRICATOR M10	ENGRASADOR M10	
2	311.12148	SCREW M8 X 14	TORNILLO M8 X 14	
3	312.11100	NUT M10	TUERCA M10	
4	313.12102	STUD M10 X 40 X 22 X 14	PRISIONERO M10 X 40 X 22 X 14	
5	314.23084	WASHER, LOCK 8.4	ARANDELA DE RES. 8.4	
6	314.23105	WASHER, LOCK 10.5	ARANDELA DE RES. 10.5	
7	524.43819	GROOVED HUB	CUBO	
8	561.43820	BOTTOM	FONDO	
9	564.43822	RATCHET	DIENTE DE ENGRANAJE	
10	580.43823	SPRING	MUELLE	
11	580.43826	RETAINING RING	ANILLO ELASTICO	
12	590.43824	HUB COMPLETE	COMPLETO CUBO	
13	922.43817	FREE WHEEL DEVICES (PR)	DISPOSITIVOS ESCAPE (PR)	



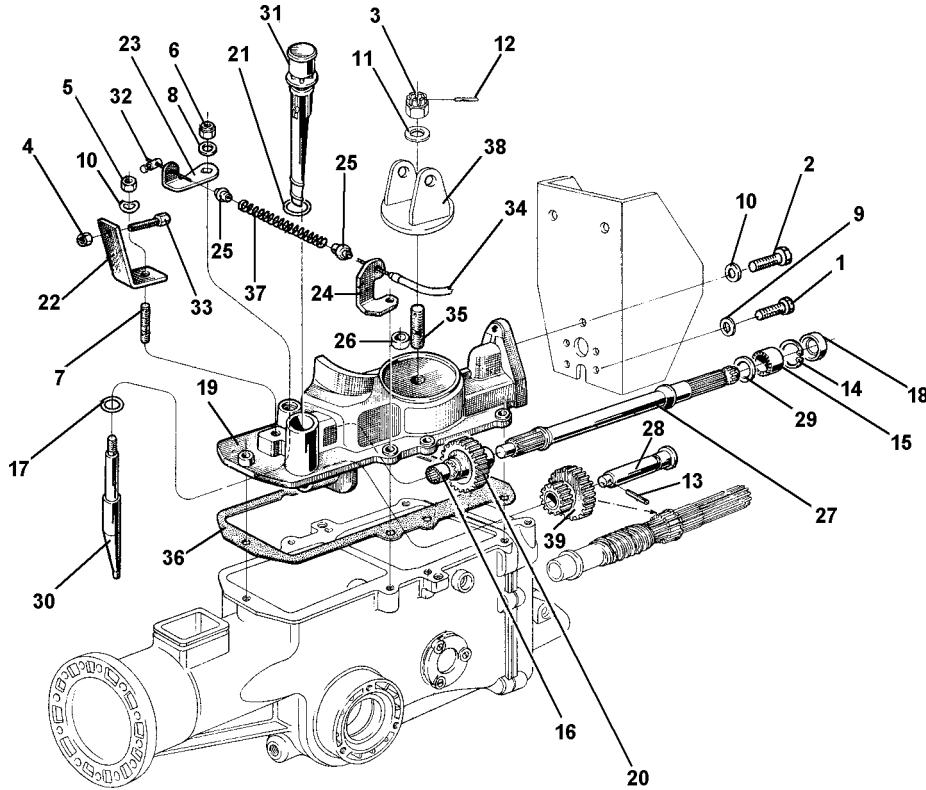
ID	PART NO	DESCRIPTION	DENOMINACION	NOTES
1	351.11047	CIRCLIP, INTERN. D 47	SEEGER INT. D 47	
2	351.21300	CIRCLIP, EXTERN. D 30	SEEGER EXT. D 30	
3	371.12200	BEARING 20 X 47 X 14 6204 2RS ST	COJINETE 20 X 47 X 14 6204 2RS ST	
4	371.12230	BEARING 30 X 55 X 13 6006 2RS ST	COJINETE 30 X 55 X 13 6006 2RS ST	
5	513.48722	P.T.O. CASING D. 35	CUERPO TOMA DE FUERZA D. 35	
6	561.48727	STOP RING	ANILLO CONTRASTE	
7	564.48723	P.T.O. SHAFT D.35	ARBOL TOMA DE FUERZA D. 35	
8	580.48724	STOP RING	ANILLO CONTRASTE	
9	922.48721	POWER TAKEOFF 1 3/8"	TOMA DE FUERZA 35	



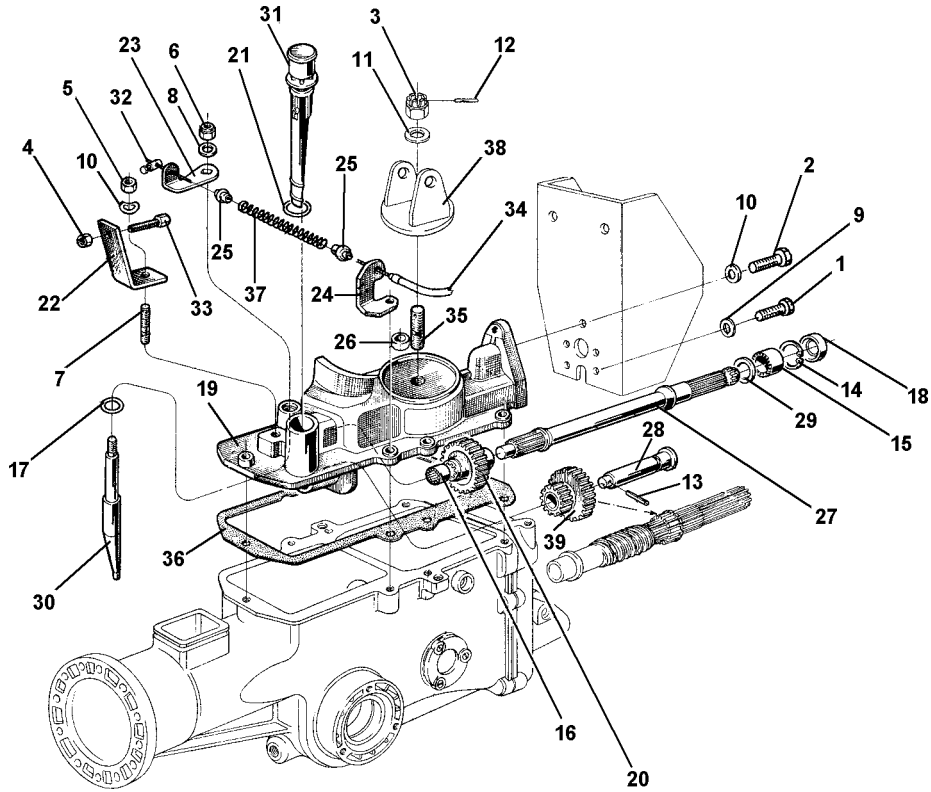
ID	PARTNO	DESCRIPTION	DENOMINACION	NOTES
1	311.12151	CAPSCREW M8X25	VITE TE M8X25 UNI 5739-8G	
2	311.12090	CAPSCREW M6X16	VITE TE M6X16 UNI 5739-8G	
3	371.12230	BEARING 6006 2RS1 SKF 30X55X13	CUSCIN 6006 2RS1 SKF 30X55X13	
4	371.12252	BEARING 6005-2RS 25X47X12	CUSCIN 6005-2RS 25X47X12	
5	513.57862	HOUSING	CORPO PDF D. 35 3DNT	
6	561.29156	FLANGE SHAFT	FLANGIA ALBERO	
7	561.58943	WASHER	RONDELLA 7X25X2	
8	564.57861	SHAFT	ALBERO PDF D.3 3DNT	
9	564.58942	COUPLER PTO	INNESTO A 3 DENTI D=25	
10	581.29774	GUARD	CONTOCUFFIA SPEC 517000059	
11	922.90828	ADAPTER COMPLETE	PRESE DI FORZA UNIF. D.35 3DNT	



ID	PART NO	DESCRIPTION	DENOMINACION	NOTES
1	312.01212	NUT, HEX INT M12 UNI 5593 6S	TUERCA HEX. INT. M12 UNI 5593 6S	
2	312.11100	NUT M10	TUERCA M10	
3	314.23105	WASHER, LOCK 10.5	ARANDELA DE RES. 10.5	
4	314.23130	WASHER, LOCK 13	ARANDELA DE RES. 13	
5	314.23170	WASHER, LOCK 17	ARANDELA DE RES. 17	
6	342.13021	PIN, LOCKING SW 3 X 18 SPIRAL	ESPINA DE RES. SW 3 X 18 ESPIRAL	
7	563.48713	SCREW ADJUSTMENT	TORNILLO REGULACION	
8	590.48702	FLANGE CONNECTION	BRIDA FIJACION	
9	590.48707	FLANGE ADJUSTABLE	BRIDA MOBLE	
10	922.48700	ADJUST. WHEEL EXT. COMPLETE (PR)	ENGANCHE RUEDA, COMPLETO (PR)	



ID	PARTNO	DESCRIPTION	DENOMINACION	NOTES
1	311.12152	SCREW TE M8 X 30	TORNILLO TE M8 X 30	
2	311.12211	SCREW M10 X 30	TORNILLO M10 X 30	
3	312.01212	NUT, HEX INT M12 UNI 5593 6S	TUERCA HEX. INT. M12 UNI 5593 6S	
4	312.11080	NUT M8	TUERCA M8	
5	312.11100	NUT M10	TUERCA M10	
6	312.41080	NUT, SELF LOCKING M8	TUERCA AUTOBLOC. M8	
7	313.12101	STUD M10 X 37 X 19 X 15 8G	PRISIONERO M10 X 37 X 19 X 15 8G	
8	314.11084	WASHER, FLAT 8.4	ARANDELA PLANA 8.4	
9	314.23084	WASHER, LOCK 8.4	ARANDELA DE RES. 8.4	
10	314.23105	WASHER, LOCK 10.5	ARANDELA DE RES. 10.5	
11	314.23130	WASHER, LOCK 13	ARANDELA DE RES. 13	
12	342.13022	PIN, LOCKING SW 3 X 22 SPIRAL	ESPIÑA DE RES. SW 3 X 22 ESPIRAL	
13	342.13024	LOCKING PIN 4 X 24 SPIRAL	ESPIÑA DE RES. 4 X 24 ESPIRAL	
14	351.11030	CIRCLIP	SEEGER INT. D 30 DIN 472	
15	373.11200	BALL BEARING	COJINETE BOLA	
16	373.20140	ROLLER BEARING	COJINETE	
17	381.11400	O-RING 2056 14.00 X 1.78	OR 2056 14.00 X 1.78	
18	382.11999	OIL SEAL	CHAPA RET. ACEITE	
19	512.48800	SYNCHRONIZED P.T.O. COVER	CAPO PARA T.D.F. SINCRONISAR	
20	522.48805	GEAR	ENGRANAJE	
21	551.02678	RUBBER RING	ANILLO GOMA	
22	561.43878	BRACKET CLUTCH CONTRAST	SOPORTE CONTRASTE	
23	561.43880	LEVER RELEASE	PALANCA DE DESENGANCHE	
24	561.48819	LOCK FOR DIFFERENTIAL SHEATH	PROTECCION FUNDA DE DIFERENTIAL	
25	561.48821	BUSHING	CASQUILLO	
26	561.48823	SPACER	SEPARADOR	
27	562.48804	SYNCHRONIZED P.T.O. SHAFT	ARBOL TOMA DE FUERZA DINCRONIZAR	
28	562.48810	PIN	PERNO	
29	563.48806	STOP RING	ANILLO CONTRASTE	
30	564.43871	ROD	BARRA	
31	580.02666	CAP, WITH MEASURING ROD	VARILLA NIVEL ACEITA CON TAPON	
32	580.42200	PIN, CABLE CLAMP	PERNO ABRAZADERA CABLE	
33	580.42202	SCREW, ADJUSTING M8	TORNILLO REGULACION M8	
34	580.48301	WIRE SHEATH DIFFER. LOCKING	ALAMBRE Y VAINA BLOCAJE DIFER.	
35	580.48803	STUD	PRISIONERO	



ID	PART NO	DESCRIPTION	DENOMINACION	NOTES
36	580.48812	GASKET	GUARNICION	
37	580.48822	SPRING	MUELLE	
38	590.43305	FORK	HORQUILLA COMPL.	
39	590.48807	DOUBLE GEAR	ENGRANAJE DOBLE	

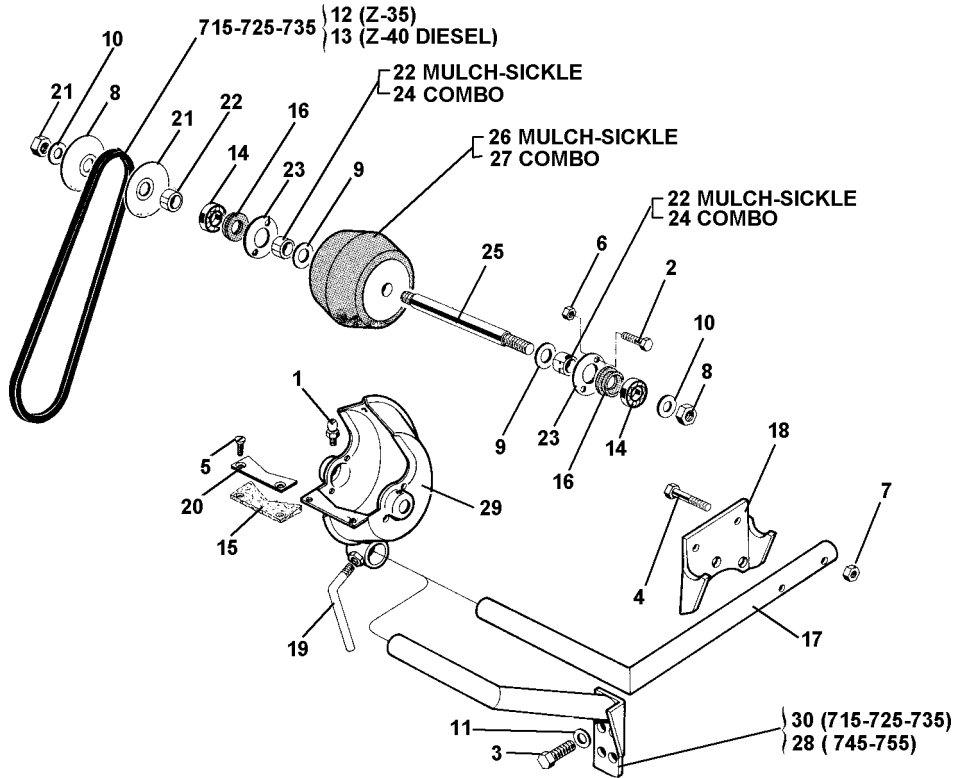
# Accessories

## Cutter Bar Blade Sharpener

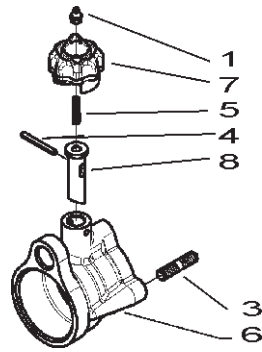
## Serial Number Range ALL

# 10.00

REVISED 02/14/02



ID	PARTNO	DESCRIPTION	DENOMINACION	NOTES
1	300.00003	LUBRICATOR M6	ENGRASADOR M6	
2	311.12049	SCREW TE M4 X 10 UNI 5739 8G	TORNILLO TE M4 X 10 UNI 5739 8G	
3	311.12151	SCREW M8 X 25	TORNILLO M8 X 25	
4	311.12155	SCREW TE M8 X 45 UNI 5739 8G	TORNILLO TE M8 X45 UNI 5739 8G	
5	311.31051	SCREW TSV M5 X 12 UNI 260 5S	TORNILLO TSV M5 X 12 UNI 260	
6	312.11040	NUT M4	TUERCA M4	
7	312.11080	NUT M8	TUERCA M8	
8	312.11120	NUT M12	TUERCA M12	
9	314.10150	WASHER 17 X 35 X 4 STEEL	ARANDELA 17 X 35 X 4 ACERO	
10	314.11130	WASHER, FLAT 13	ARANDELA PLANA 13	
11	314.23084	WASHER, LOCK 8.4	ARANDELA DE RES. 8.4	
12	362.00022	V-BELT Z-35	CORREA TRAP. Z-35	
13	362.00024	V-BELT Z-40	CORREA TRAP. Z-40	
14	371.13170	BEARING 17 X 40 X 12 6203 Z SCRD	COJINETE 17 X 40 X 12 6203 Z BL	
15	550.49009	GASKET	GUARNICION	
16	551.49013	CAP DUST	PROTECCION	
17	561.49004	PIPE, GRINDING STONE SUPPORT	TUBO SOPORTE MUELA	
18	561.49005	SUPPORT	SOPORTE	
19	561.49007	HANDLE, BODY LOCKING	MANETA BLOCAJE CUERPO	
20	561.49008	PLATE, FELT	PLETINA FELTRO	
21	561.49011	COVER, PULLEY	TAPA POLEA	
22	561.49012	BUSHING, INSIDE	CASQUILLO, INTERIOR	
23	561.49014	FLANGE, DUST COVER	MANGUITO PROTECCION	
24	561.49016	BUSH F. GR. STONE BAR COMBO	CASQUILLO MUELA BARRA COMBO	
25	563.49017	SHAFT, GRINDING STONE	ARBOL PIEDRA DE AFILAR	
26	581.27657	WHEEL MULE BACK	RESORTE	
27	581.49003	GRINDING STONE F. BLADE COMBO	PIEDRA DE AFILAR P. CUCH. COMBO	
28	590.42800	GRINDING STONE SUPPORT	SOPORTE PIEDRA PARA AFILAR	
29	590.49002	GRINDING STONE CASING	CUERPO MUELA	
30	590.49006	SUPPORT	SOPORTE	



ID	PART NO	DESCRIPTION	DENOMINACION	NOTES
1	30000001	FITTING, GREASE STRAIGHT		
NI	31241124	LOCK NUT, FOR REF#3		
3	31312124	STUDM56X12X1.25X22X12		
4	34211065	PIN SPLIT M6X50		
5	58056646	TUBE		
6	51156703N	BUSHING ONLY		
7	552C0017	COVER		
8	561C0013Z	TUBE		