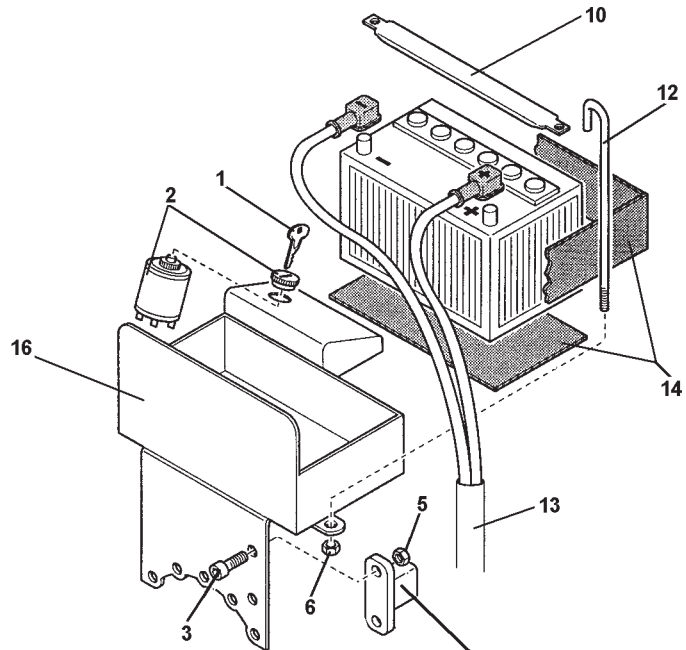
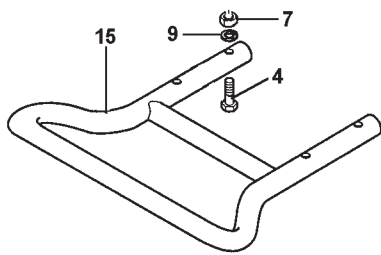
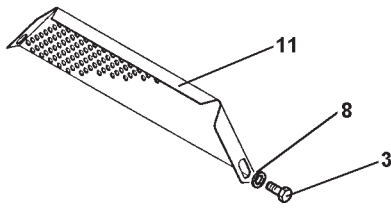
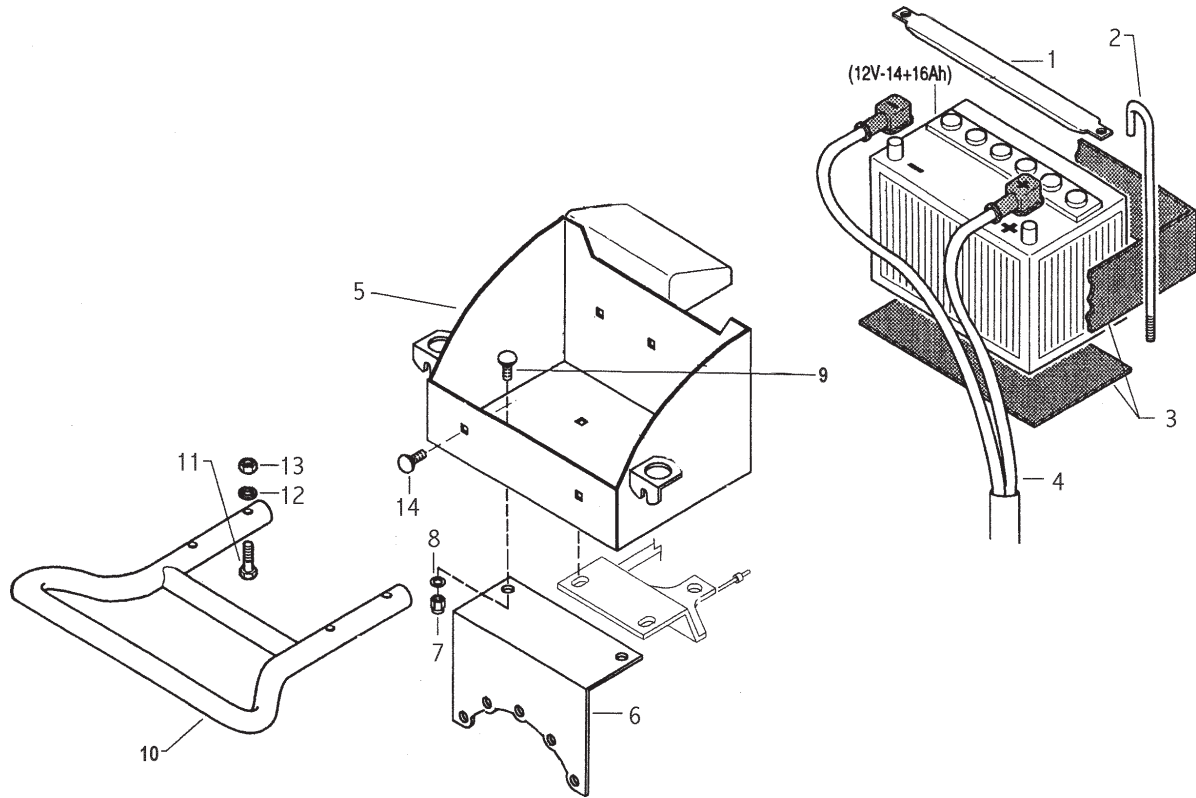




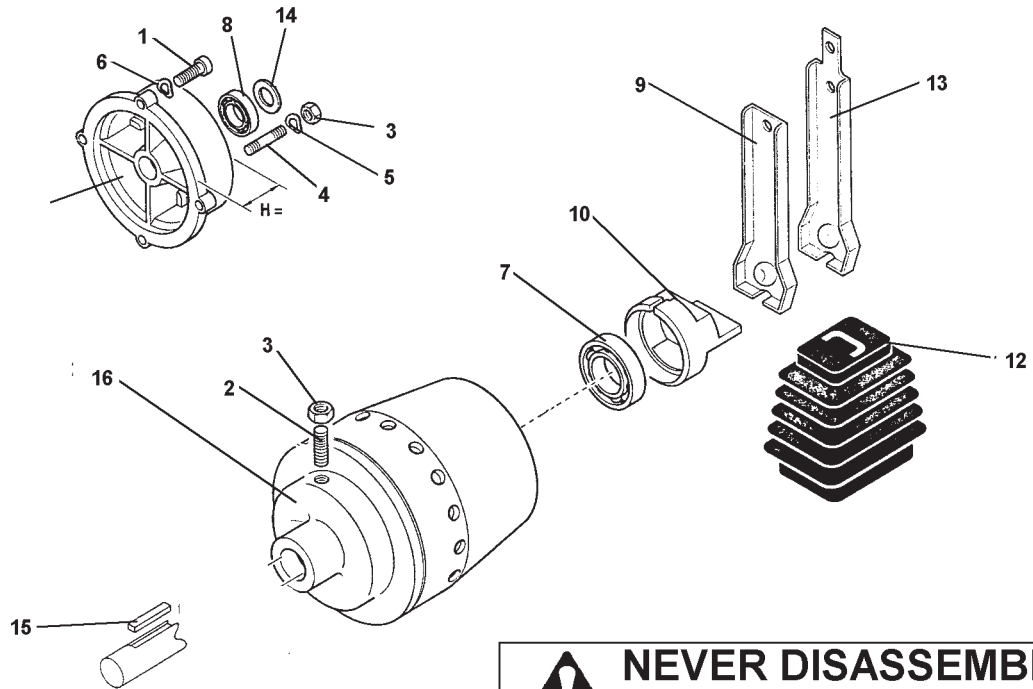
A M E R I C A



ID	PART NO	QTY	DESCRIPTION	ID	PART NO	QTY	DESCRIPTION
1	300.00276		KEY	11	561.47499		ENGINE COVER
2	300.00277		SWITCH	12	561.49590		BATTERY TIEROD
3	311.11090		SCREW M6X10	13	580.47460		ELECTRIC STARTER CABLES
4	311.12158		SCREW M8X70 VANGARD ENGINE	14	580.57381		BATTERY PADS
5	312.11060		NUT M6	15	590.52040		BUMPER, VANGARD
6	312.41060		NUT, SELF LOCKING M6	16	590.57379		BATTERY SUPPORT
7	312.41080		NUT, SELF LOCKING M8				
8	314.11064		WASHER, FLAT 6.4				
9	314.11084		WASHER, LOCK 8.4				
10	561.19937		BATTERY BRACKET				



ID	PART NO	QTY	DESCRIPTION	ID	PART NO	QTY	DESCRIPTION
1	561.19937		BATTERY BRACKET	11	311.12156		SCREW M8X60
2	561.57387		BATTERY TIEROD	12	314.11084		FLAT WASHER 8.4
3	580.57397		BATTERY PADS	13	312.41080		NUT, SELF LOCKING M8
4	580.47460		ELECTRIC START CABLES	14	311.21558		BOLT
5	590.57390		BATTERY SUPPORT				
6	561.57603		PLATE				
7	312.41060		NUT				
8	314.11064		WASHER				
9	31121558		BOLT				
10	590.56053		BUMPER, KOHLER CS PRO				



⚠ NEVER DISASSEMBLE THE CLUTCH

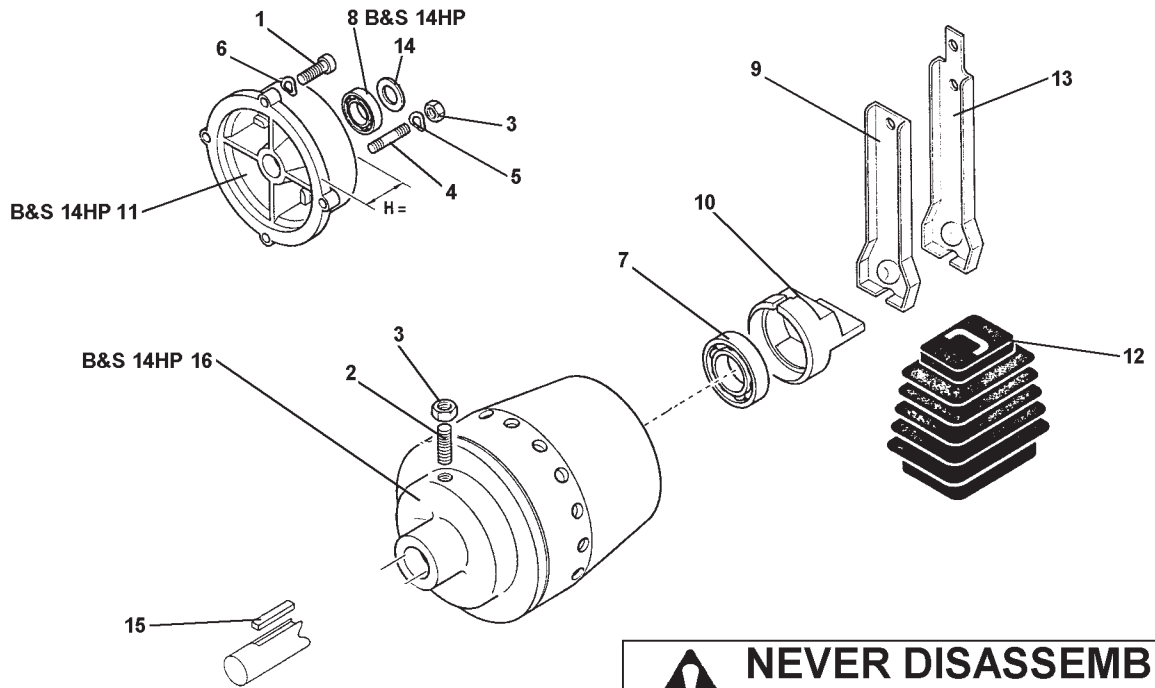
ID	PART NO	QTY	DESCRIPTION	ID	PART NO	QTY	DESCRIPTION
1	311.00015		SCREW 7/16 X 1 1/4"	11	531.47482		FLANGE, VANGARD
2	311.00786		SET SCREW M8X30	12	551.47842		BOOT
3	312.11080		NUT M8	13	561.47845		CLUTCH LEVER, RECOIL START
4	313.12088		STUD 8X40	14	563.47484		WASHER
5	314.23084		WASHER, WAVE	15	563.49782		KEY
6	314.23105		WASHER	16	592.47970		HEAVY DUTY CLUTCH, VANGARD (INCLUDES 7 & 10)
7	371.12173		BEARING 17X40X12				
8	371.12233		BEARING, 30X55X13				
9	509.47833		CLUTCH LEVER, ELECTRIC START				
10	524.47896		CONE PUSHER				

850

Clutch

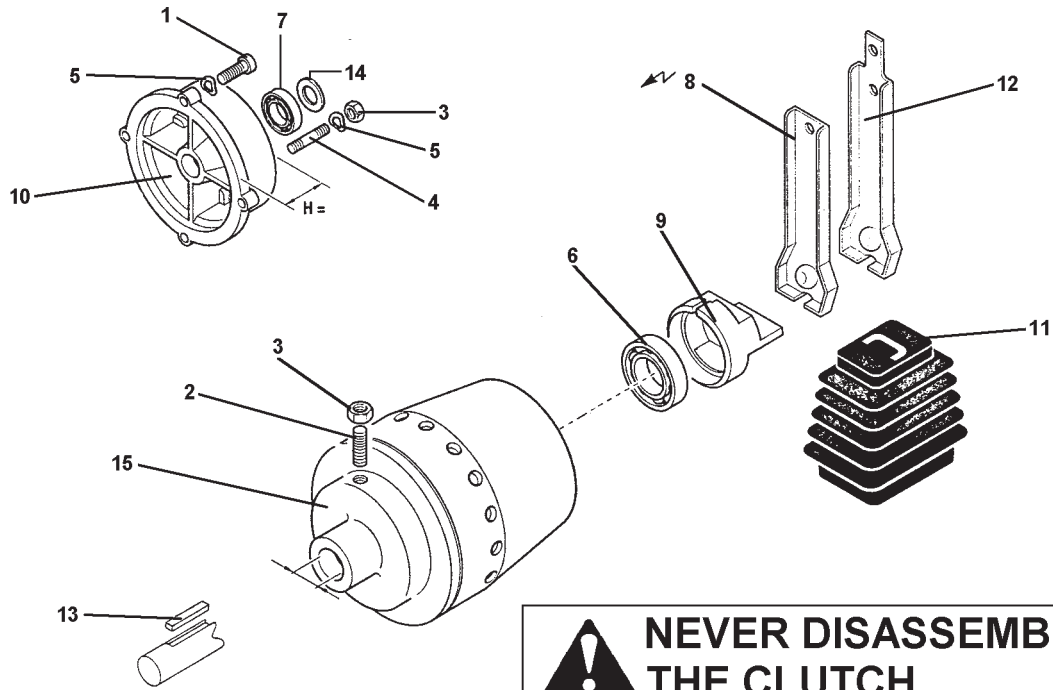
Serial Number Range
2034 - 6663

02.01



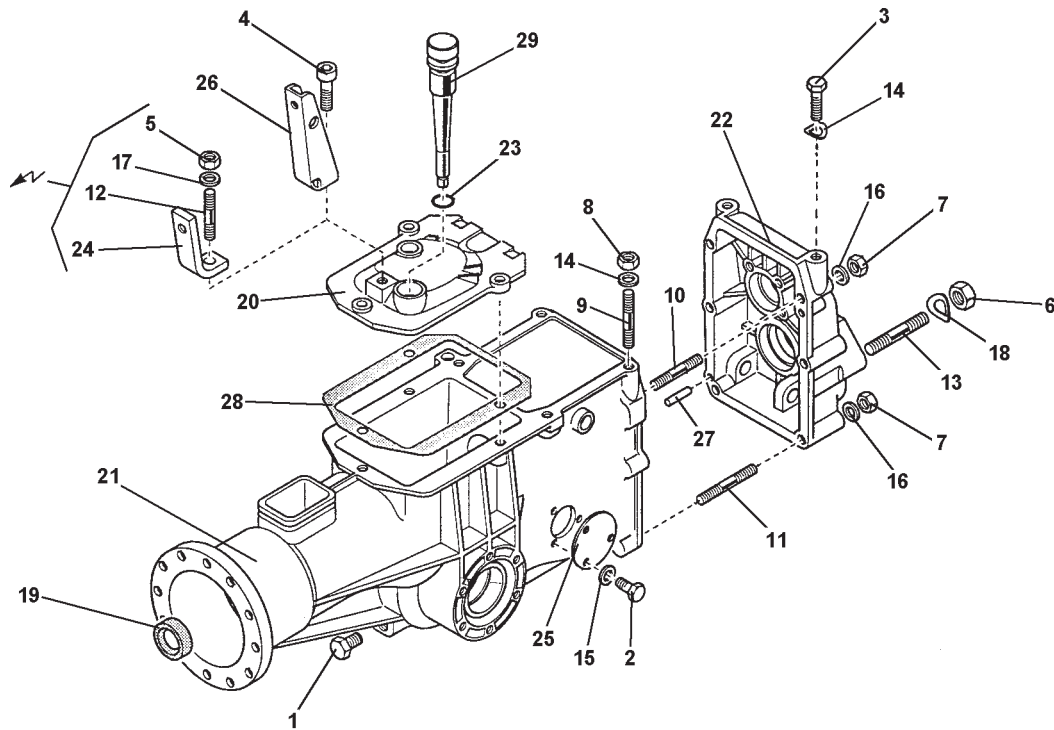
⚠ NEVER DISASSEMBLE THE CLUTCH

ID	PART NO	QTY	DESCRIPTION	ID	PART NO	QTY	DESCRIPTION
1	311.00015		SCREW 7/16 X 1 1/4"	11	531.47482		FLANGE, VANGARD
2	311.00786		SET SCREW M8X30	12	551.47842		BOOT
3	312.11080		NUT M8	13	561.47845		CLUTCH LEVER, RECOIL START
4	313.12088		STUD 8X40	14	563.47484		WASHER
5	314.23084		WASHER, WAVE	15	563.49782		KEY
6	314.23105		WASHER	16	592.47970		HEAVY DUTY CLUTCH, VANGARD (INCLUDES 7 & 10)
7	371.12173		BEARING 17X40X12				
8	371.12233		BEARING, 30X55X13				
9	509.47833		CLUTCH LEVER, ELECTRIC START				
10	524.47896		CONE PUSHER				

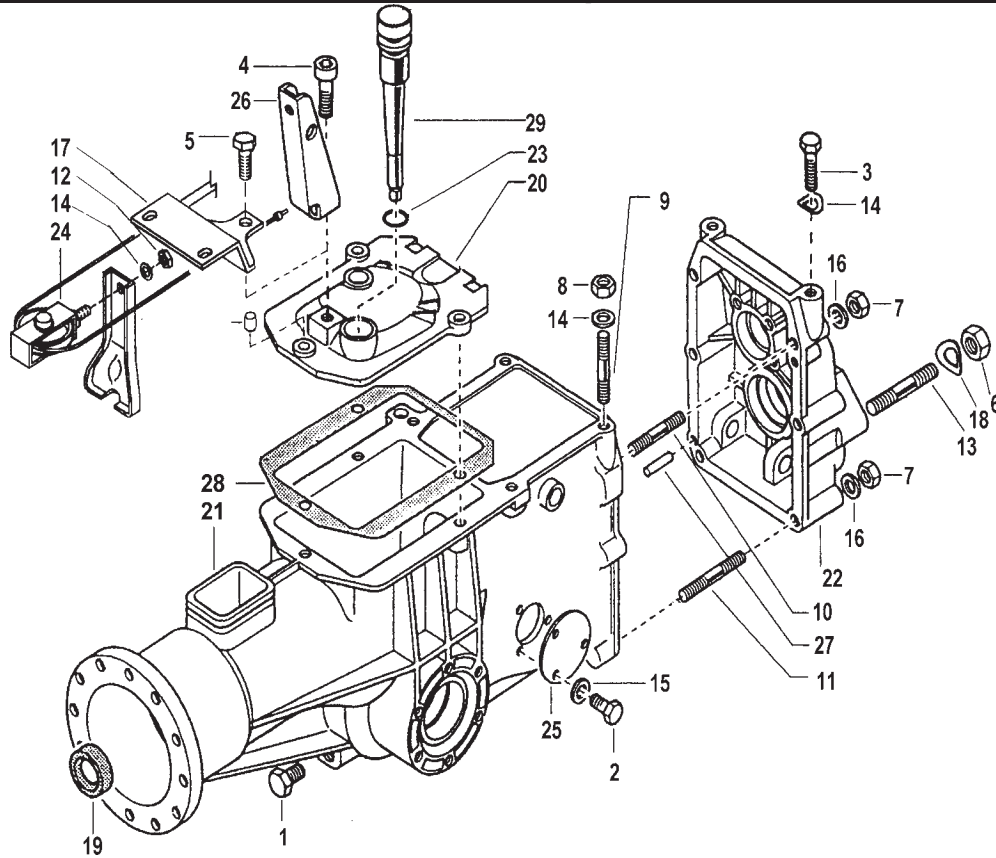


↙ = Electric Start Components

ID	PART NO	QTY	DESCRIPTION	ID	PART NO	QTY	DESCRIPTION
1	311.00015		SCREW 3/8X1"	11	551.57609		BOOT, ELECTRIC START
2	311.00786		SCREW M8X30	12	561.47845		CLUTCH LEVER, RECOIL START
3	312.11080		NUT, M8	13	563.49782		KEY WOODRUFF
4	313.12088		STUD, M8X40X14X14	14	563.47484		WASHER
5	314.23084		WASHER, WAVE	15	592.56257		CLUTCH, 12HP KOHLER CS PRO (INCLUDES 6 & 9)
6	371.12173		BEARING, M17X40X12				
7	371.12233		BEARING, M30X55X15				
8	509.56262		CLUTCH LEVER, ELECTRIC START				
9	524.47896		CONE PUSHER				
10	532.47468		FLANGE				

850**Gear Box****Serial Number Range**
1000 - 6663**03.00**

ID	PART NO	QTY	DESCRIPTION	ID	PART NO	QTY	DESCRIPTION
1	300.40001		PLUG	16	314.23084		WASHER, LOCK 8.4
2	311.11090		SCREW M6X10	17	314.23105		WASHER, LOCK 10.4
3	311.12150		SCREW M8X20	18	314.23130		WASHER, LOCK 13.4
4	311.52103		SCREW M10X25	19	382.11500		OIL SEAL
5	312.11100		NUT, M10	20	531.43875		COVER
6	312.21121		NUT, M12X1.25	21	531.56326		GEARBOX
7	312.41080		NUT, SELF LOCKING M8	22	531.56332		REAR COVER
8	312.41085		NUT, M8	23	551.02678		"O" RING
9	313.12082		SUTDM8X38X14X20	24	561.43878		CLUTCHBRACKET
10	313.12084		STUD, M8X58X16X16				
11	313.12094		STUD, M8X68X16X16				
12	313.12101		STUD, M10X37X19X15				
13	313.12124		STUD, M12X1.25X12X52				
14	314.21083		SUPER WASHER				
15	314.22064		WASHER, LOCK 6.4				



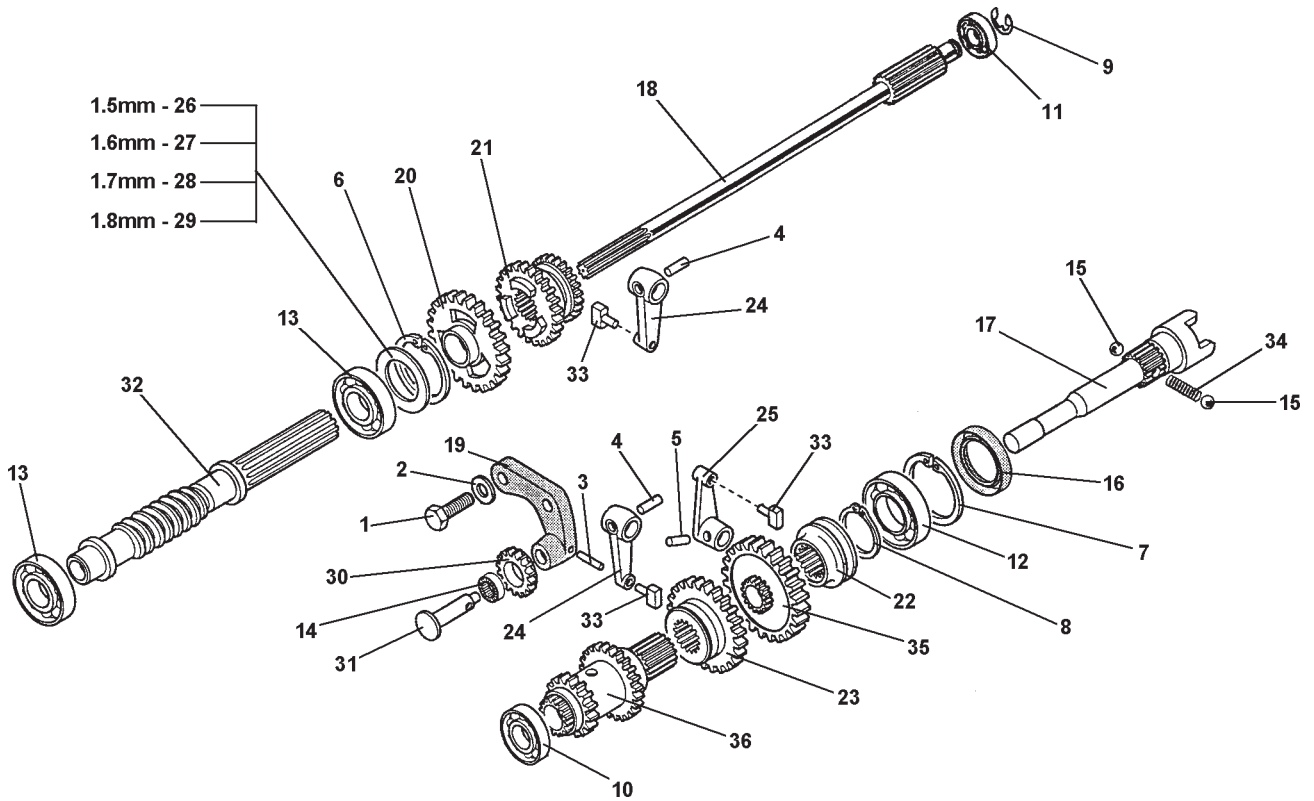
ID	PART NO	QTY	DESCRIPTION	ID	PART NO	QTY	DESCRIPTION
1	300.40001		PLUG	16	314.23084		WASHER, LOCK 8.4
2	311.11090		SCREWM6X10	17	314.23105		WASHER, LOCK 10.4
3	311.12150		SCREWM8X20	18	314.23130		WASHER, LOCK 13.4
4	311.52103		SCREWM10X25	19	382.11500		OIL SEAL
5	312.11100		NUT, M10	20	531.43875		COVER
6	312.21121		NUT, M12X1.25	21	531.56326		GEAR BOX
7	312.41080		NUT, SELF LOCKING M8	22	531.56332		REAR COVER
8	312.41085		NUT, M8	23	551.02678		"O" RING
9	313.12082		SUTDM8X38X14X20	24	561.43878		CLUTCHBRACKET
10	313.12084		STUD, M8X58X16X16	25	561.47520		SIDE COVER
11	313.12094		STUD, M8X68X16X16	26	561.47923		CLUTCHBRACKET
12	313.12101		STUD, M10X37X19X15	27	580.43053		PARALLEL PIN
13	313.12125		STUD, M12X1.25X12X52	28	580.43117		GASKET, COVER
14	314.21083		SUPER WASHER	29	590.15425		DIP STICK
15	314.22064		WASHER, LOCK 6.4				

850

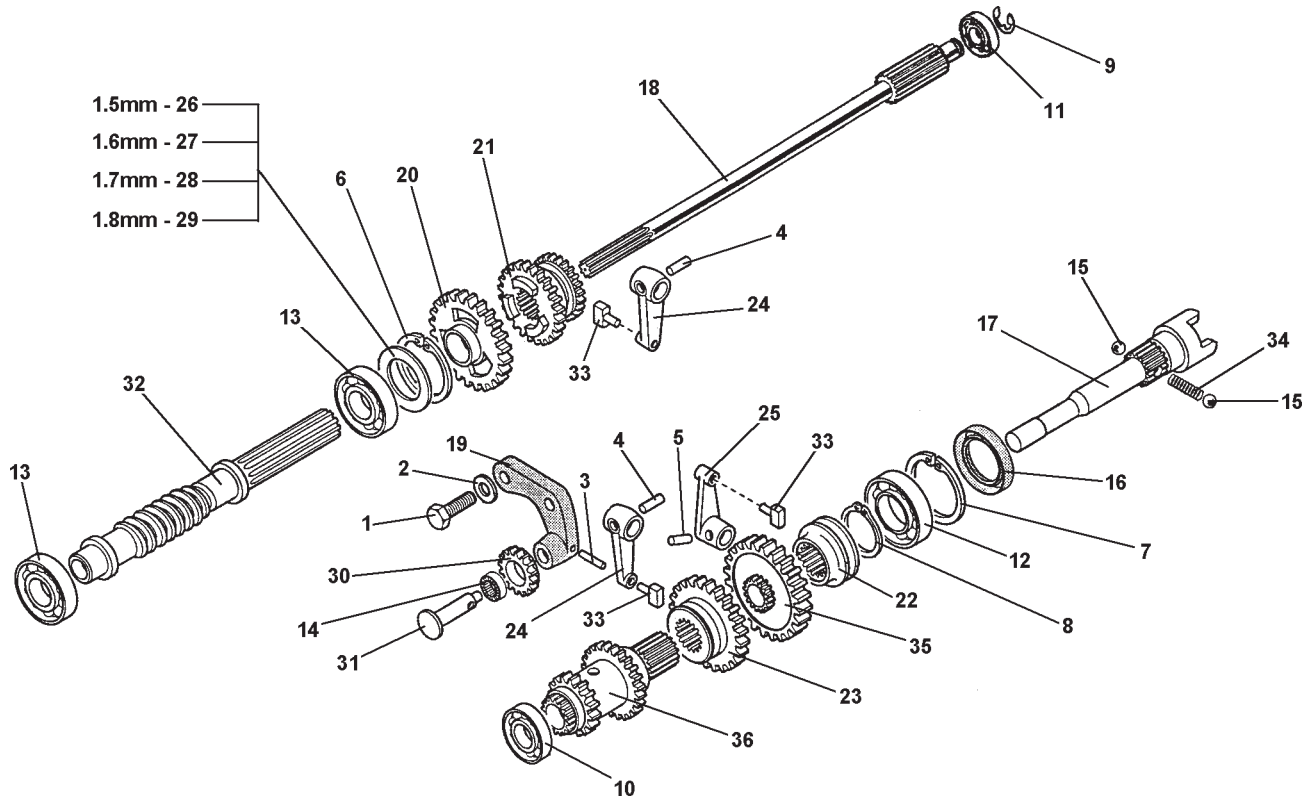
Transmission

Serial Number Range 1000 - 3266

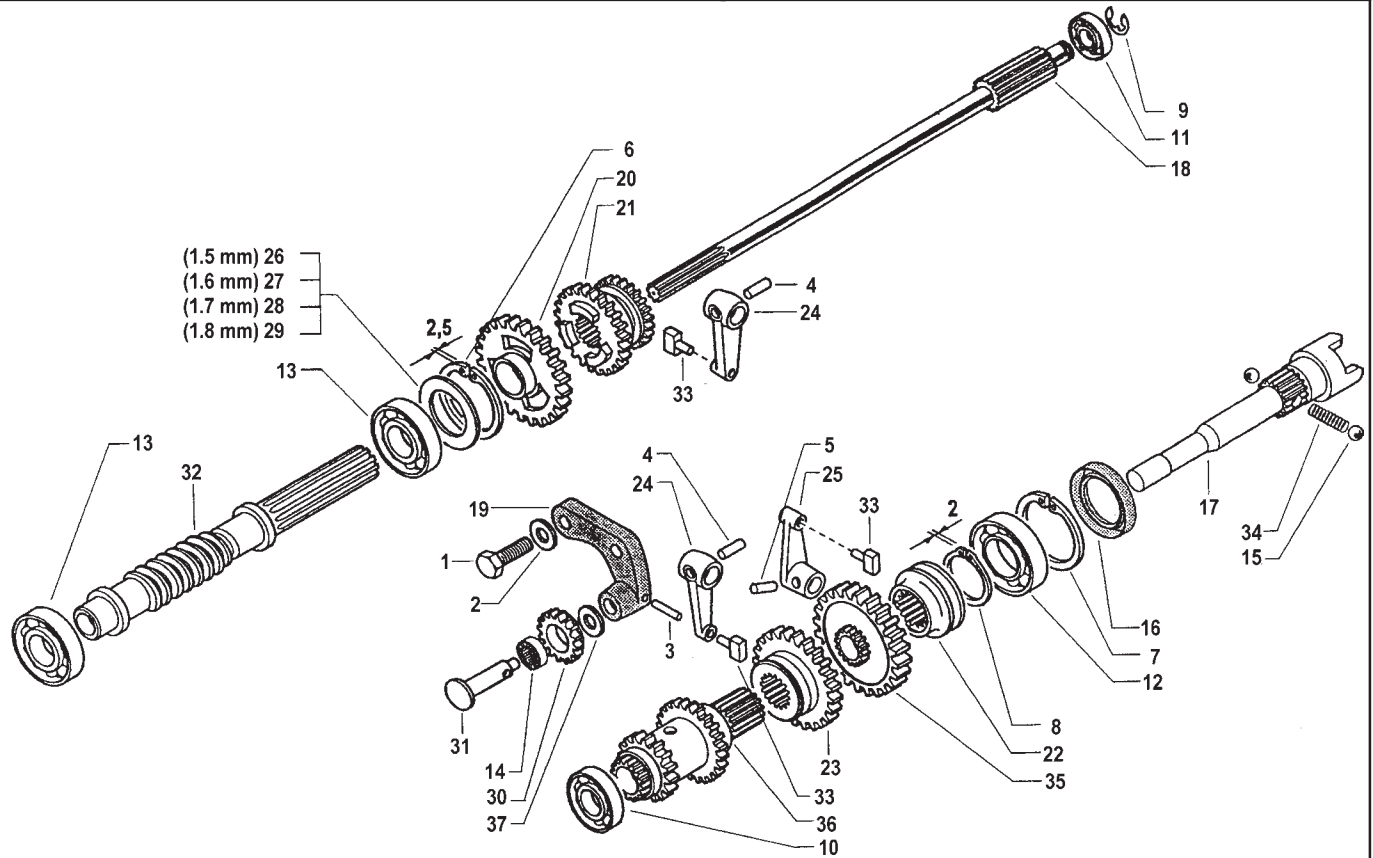
04.00



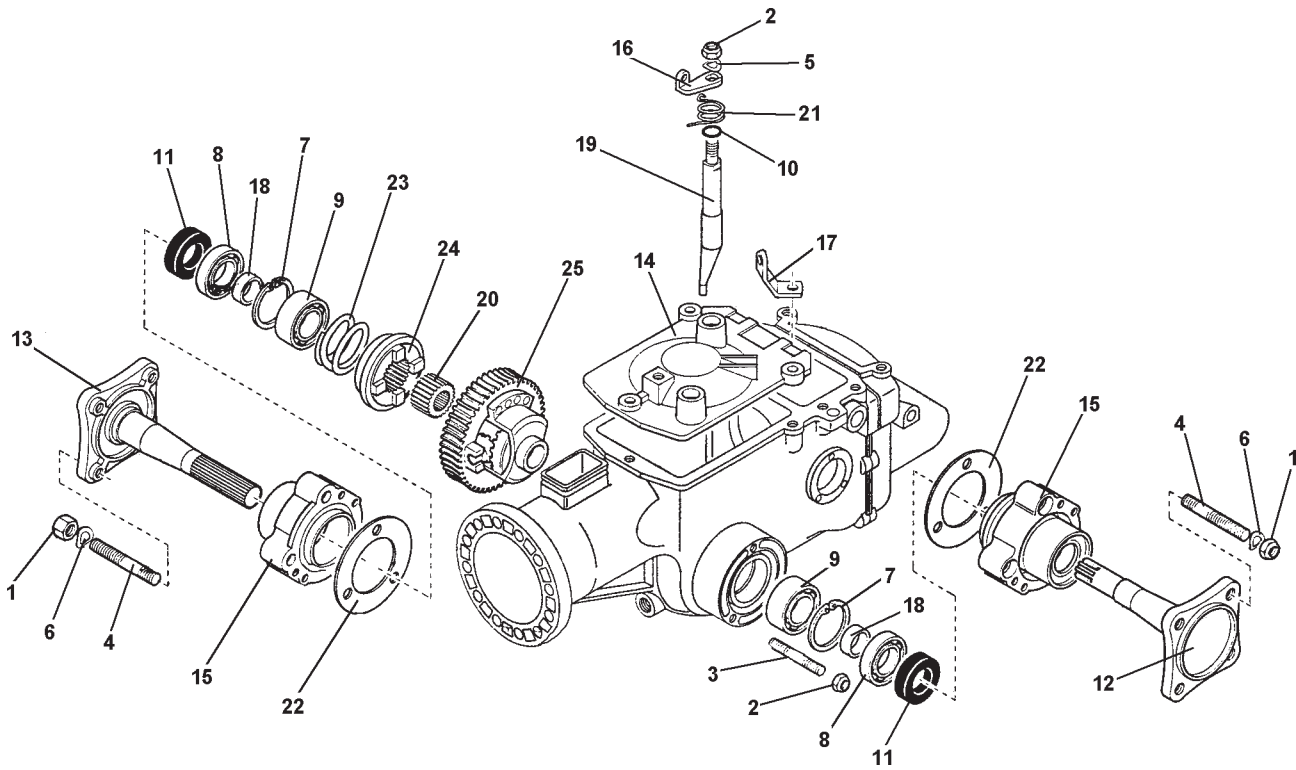
ID	PART NO	QTY	DESCRIPTION	ID	PART NO	QTY	DESCRIPTION
1	311.12211		SCREWM10X30	21	524.56359		DOUBLE SLIDER
2	314.21101		SUPER WASHER 10	22	524.56362		PTO SLIDER
3	342.13024		LOCKING PIN, 4X24 SPIRAL	23	524.56370		SLIDER, REVERSER
4	342.13060		LOCKING PIN, 6X24 SPIRAL	24	524.56389		LEVER, REVERSER
5	342.13061		LOCKING PIN, 6X20 SPIRAL	25	524.56390		LEVER, PTO ENGAGEMENT
6	351.11053		CIRCLIP, INTERNAL	26	563.56328		SHIM, 1.5MM
7	351.11055		CIRCLIP, INTERNAL	27	563.56329		SHIM, 1.6MM
8	351.21031		CIRCLIP, EXTERNAL	28	563.56330		SHIM 1.7MM
9	352.11120		RETAINING RING	29	563.56331		SHIM 1.8MM
10	371.11151		BEARING, 15X35X11	30	564.56347		REVERSE GEAR
11	371.11152		BEARING, 15X42X13	31	564.56351		PIN, REVERSE GEAR
12	371.12229		BEARING, 30X55X13	32	564.56478		WORM GEAR
13	371.41250		BEARING, 25X52X15	33	580.43086		SHOE
14	373.20120		BEARING, 12X15X10	34	580.56391		SPRING, PTO BALLS
15	379.10832		BALL, 1/4"	35	590.56365		PTO GEAR
16	382.13800		OIL SEAL, 38X55X7	36	590.56385		SECOND GEAR
17	524.56336		PTO SHAFT				
18	524.56340		MAIN DRIVE SHAFT				
19	524.56344		REVERSER BRACKET				
20	524.56354		FIRST GEAR				



ID	PART NO	QTY	DESCRIPTION	ID	PART NO	QTY	DESCRIPTION
1	311.12211		SCREWM10X30	21	524.56360		DOUBLE SLIDER
2	314.21101		SUPER WASHER 10	22	524.56362		PTO SLIDER
3	342.11042		LOCKING PIN, 4X24 SPIRAL	23	524.56370		SLIDER, REVERSER
4	342.13060		LOCKING PIN, 6X24 SPIRAL	24	524.56389		LEVER, REVERSER
5	342.13061		LOCKING PIN, 6X20 SPIRAL	25	524.56390		LEVER, PTO ENGAGEMENT
6	351.11053		CIRCLIP, INTERNAL	26	563.56328		SHIM 1.5MM
7	351.11055		CIRCLIP, INTERNAL	27	563.56329		SHIM 1.6MM
8	351.21031		CIRCLIP, EXTERNAL	28	563.56330		SHIM 1.7MM
9	352.11120		RETAINING RING	29	563.56331		SHIM 1.8MM
10	371.11151		BEARING, 15X35X11	30	564.56347		REVERSE GEAR
11	371.11152		BEARING, 15X42X13	31	564.56351		PIN, REVERSE GEAR
12	371.12229		BEARING, 30X55X13	32	564.56478		WORM GEAR
13	371.41250		BEARING, 25X52X15	33	580.43086		SHOE
14	373.20120		BEARING, 12X15X10	34	580.56391		SPRING, PTO BALLS
15	379.10832		BALL, 1/4"	35	590.56365		PTO GEAR
16	382.13800		OIL SEAL, 38X55X7	36	590.56383		SECOND GEAR
17	524.56336		PTO SHAFT				
18	524.56340		MAIN DRIVE SHAFT				
19	524.56344		REVERSER BRACKET				
20	524.56354		FIRST GEAR				



ID	PART NO	QTY	DESCRIPTION	ID	PART NO	QTY	DESCRIPTION
1	311.12211		SCREW M10X30	21	524.56360		DOUBLE SLIDER
2	314.21101		SUPER WASHER 10	22	524.56362		PTO SLIDER
3	342.11042		LOCKING PIN, 4X24 SPIRAL	23	524.56370		SLIDER, REVERSER
4	342.13060		LOCKING PIN, 6X24 SPIRAL	24	524.56389		LEVER, REVERSER
5	342.13061		LOCKING PIN, 6X20 SPIRAL	25	524.56390		LEVER, PTO ENGAGEMENT
6	351.11053		CIRCLIP, INTERNAL	26	563.56328		SHIM, 1.5MM
7	351.11055		CIRCLIP, INTERNAL	27	563.56329		SHIM, 1.6MM
8	351.21031		CIRCLIP, EXTERNAL	28	563.56330		SHIM 1.7MM
9	352.11120		RETAINING RING	29	563.56331		SHIM 1.8MM
10	371.11151		BEARING, 15X35X11	30	564.56347		REVERSE GEAR
11	371.11152		BEARING, 15X42X13	31	564.56351		PIN, REVERSE GEAR
12	371.12229		BEARING, 30X55X13	32	564.56478		WORM GEAR
13	371.41250		BEARING, 25X52X15	33	580.43086		SHOE
14	373.20120		BEARING, 12X15X10	34	580.56391		SPRING, PTO BALLS
15	379.10832		BALL, 1/4"	35	590.56365		PTO GEAR
16	382.13800		OIL SEAL, 38X55X7	36	590.56383		SECOND GEAR
17	524.56336		PTO SHAFT	37	563.56348		WASHER
18	524.56340		MAIN DRIVE SHAFT				
19	524.56349		REVERSER BRACKET				
20	524.56354		FIRST GEAR				



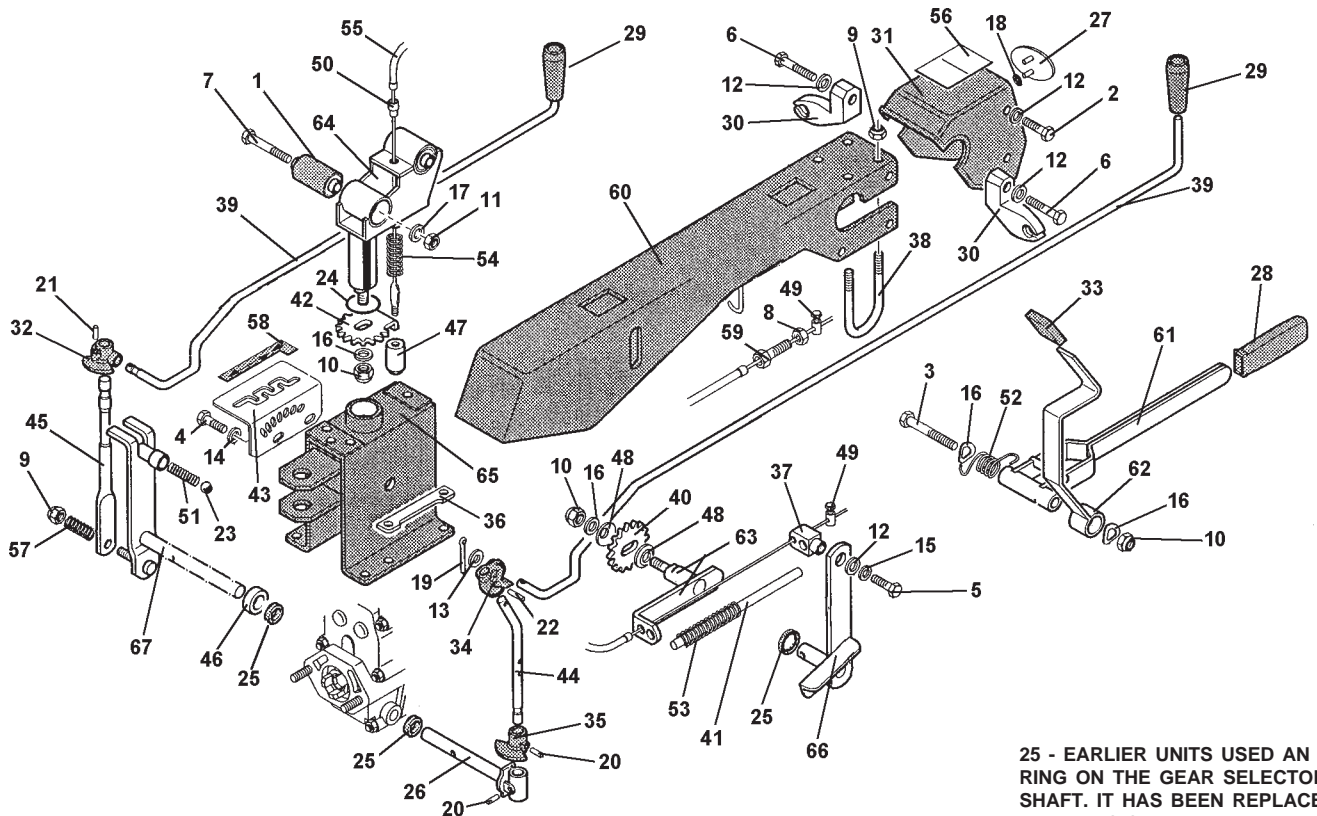
ID	PART NO	QTY	DESCRIPTION	ID	PART NO	QTY	DESCRIPTION
1	312.11100		NUT, M10	16	561.43880		LEVER RELEASE
2	312.41080		NUT, SELF LOCKING, M8	17	561.43883		CONTRAST DIFFERENTIAL SHEATH
3	313.12080		STUD, M8X46X20X12	18	561.48184		RING FOR HALF AXLE
4	313.12102		STUD, M10X40X22X14	19	564.43871		ROD
5	314.11084		WASHER, FLAT, M8.4	20	564.48183		SPACER GEAR FOR DIFFERENTIAL
6	314.23105		WASHER, LOCK, M10.5	21	564.48196		COUPLING
7	351.11047		CIRCLIP, INTERNAL	22	580.43855		JOINT GASKET
8	371.11253		BEARING, M25X47X12	23	580.43874		SPRING
9	371.11255		BEARING, M25X52X15	24	564.48196		DRIVE COUPLING
10	381.11400		"O" RING	25	590.48181		DIFFERENTIAL
11	382.13002		OIL SEAL, M30X40X7				
12	524.48187		HALF AXEL, L.H. SHORT				
13	524.48188		HALF AXEL, R.H. LONG				
14	531.43875		COVER DIFFERENTIAL				
15	532.43851		HUB FOR HALF AXLE				

850

Steering Column

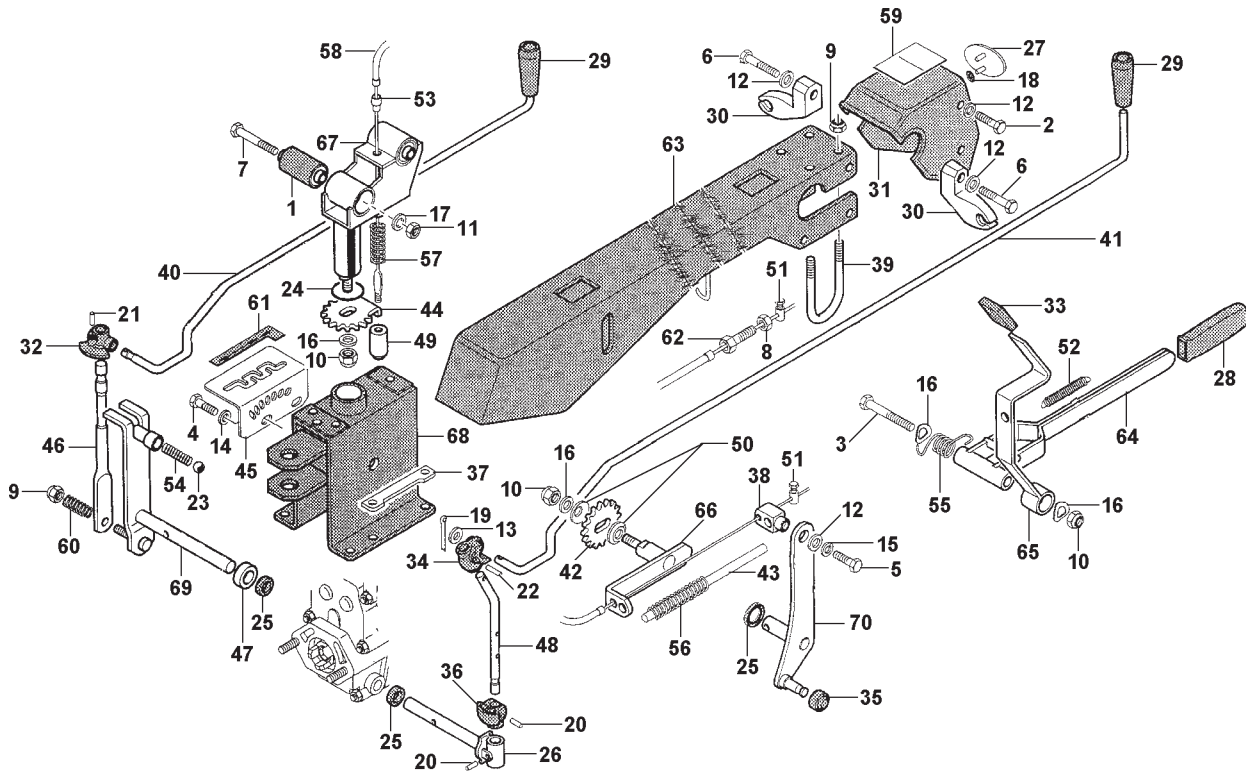
Serial Number Range
1000 - 3601

06.00

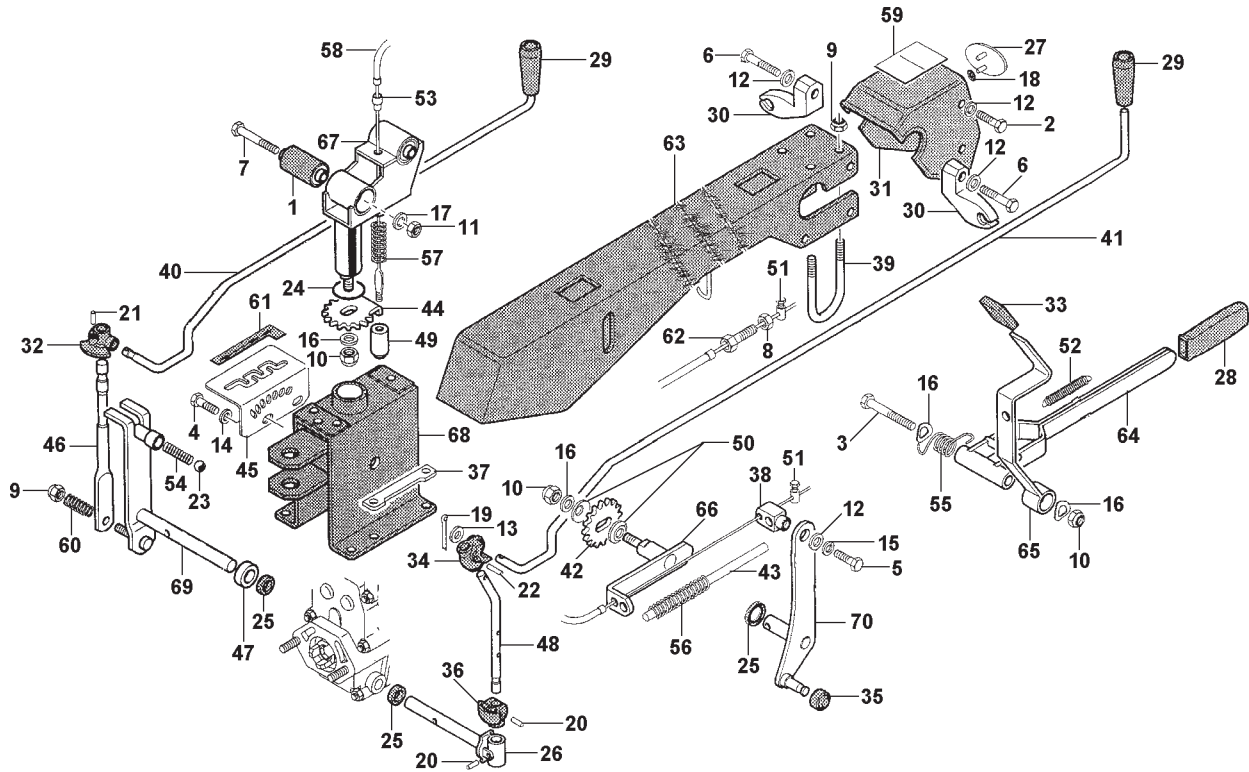


25 - EARLIER UNITS USED AN "O" RING ON THE GEAR SELECTOR SHAFT. IT HAS BEEN REPLACED WITH THIS SEAL.

ID	PART NO	QTY	DESCRIPTION	ID	PART NO	QTY	DESCRIPTION
1	300.10120		SILENTBLOCK	35	552.57255		PTOSTOPRING
2	311.11151		SCREW,M8X16	36	561.47560		REVERSE SPEED LEVER DOG
3	311.11225		SCREW,M10X90	37	561.47574		REVERSE BLOCK
4	311.12148		SCREW,M8X14	38	561.47641		HANDLEBAR U-BOLT
5	311.12149		SCREW,M8X12	39	561.47646		GEARBOX CONTROL ROD
6	311.12153		SCREW,M8X35	40	561.47664		REVERSE GEAR
7	311.12295		SCREW,M12X95	41	561.47672		GUIDEPIN
8	312.11060		NUT,M6	42	561.47703		BENDEDEVERSE R GEAR
9	312.41080		NUT, SELF LOCKING, M8	43	561.57239		GEAR QUADRAINT
10	312.41101		NUT, SELF LOCKING, M10	44	561.57267		PTO CONTROL LEVER
11	312.41121		NUT, SELF LOCKING, M12	45	561.57271		GEAR LEVER
12	314.11084		WASHER, FLAT, M8.4	46	561.57303		SPACER
13	314.11104		WASHER	47	563.47700		PUSH ROD=8
14	314.21083		WASHER, M8.4	48	571.48509		PROTECTION END D32
15	314.23084		WASHER, LOCK, M8.4	49	580.02429		CLAMP, CABLE
16	314.23105		WASHER, LOCK, M10.5	50	580.42167		END, CABLE
17	314.23130		WASHER, LOCK, M13	51	580.43176		SPRING
18	314.40004		WASHER, LOCK FOR PINS	52	580.47624		HANDLEBAR RELEASE SPRING
19	341.10028		COTTER PIN	53	580.47671		REVERSE SPRING
20	342.13020		LOCKING PIN, M4X20 SPIRAL	54	580.47701		PUSH ROD SPRING
21	342.13022		PIN, LOCKING, M3X22 SPIRAL	55	580.47702		STEERING COLUMN CABLE
22	342.13024		LOCKING PIN, M4X24 SPIRAL	56	580.47731		STEERING COLUMN STICKER
23	379.11532		BALL 15/32 RIV RB-11.906	57	580.57232		SPRING
24	381.12817		O-RING, M28.17X3.53	58	580.57706		GEAR DECAL
25	382.11400		OIL SEAL, M14X22X4	59	581.47704		ADJUSTING SCREW
26	523.57250		PTOPIN	60	590.47610		STEERING COLUMN
27	530.48656		MARK OVAL	61	590.47620		HANDLEBAR RELEASE LEVER
28	551.02714		KNOB	62	590.47625		STEERING COLUMN LOCKING LEVER
29	551.42076		KNOB	63	590.47666		REVERSE POSITION LEVER
30	552.43340		SUPPORT CONTROL ROD CUT	64	590.47688		STEERING COLUMN COUPLING
31	552.47636		STEERING COLUMN INTERM. PANEL	65	590.56970		STEERING COLUMN SUPPORT
32	552.47645		GEARBOX ARTICULATION	66	590.57280		REVERSE LEVER
33	552.48072		KNOB REDUCTION UNIT LEVER	67	590.57300		SPEED SELECTOR LEVER
34	552.48379		PTO ARTICULATION				



ID	PART NO	QTY	DESCRIPTION	ID	PART NO	QTY	DESCRIPTION
1	300.10120		SILENTBLOCK	36	552.57322		PTOSTOPRING
2	311.11151		SCREW,M8X16	37	561.47560		REVERSE SPEEDLEVERDOG
3	311.11225		SCREW,M10X90	38	561.47574		REVERSEBLOCK
4	311.12148		SCREW,M8X14	39	561.47641		HANDLEBARU-BOLT
5	311.12149		SCREW,M8X12	40	561.47646		GEARBOXCONTROLROD
6	311.12153		SCREW,M8X35	41	561.47648		PTOCONTROLROD
7	311.12295		SCREW,M12X95	42	561.47664		REVERSEGEAR
8	312.11060		NUT,M6	43	561.47672		GUIDEPIN
9	312.41080		NUT, SELFLOCKING,M8	44	561.47703		BENDEDEVERSERGEAR
10	312.41101		NUT, SELFLOCKING,M10	45	561.57239		GEARQUADRAINT
11	312.41121		NUT, SELFLOCKING,M12	46	561.57271		GEARLEVER
12	314.11084		WASHER, FLAT,M8.4	47	561.57303		SPACER
13	314.11104		WASHER	48	561.57324		PTOCONTROLLEVER
14	314.21083		WASHER,M8.4	49	563.47700		PUSHRODD=8
15	314.23084		WASHER, LOCK,M8.4	50	571.48509		PROTECTIONENDD32
16	314.23105		WASHER, LOCK,M10.5	51	580.02429		CLAMP, CABLE
17	314.23130		WASHER, LOCK,M13	52	580.26321		SPRING
18	314.40004		WASHER, LOCKFOR PINS	53	580.42167		END, CABLE
19	341.10028		COTTERPIN	54	580.43176		SPRING
20	342.13020		LOCKING PIN,M4X20 SPIRAL	55	580.47624		HANDLEBAR RELEASESPRING
21	342.13022		PIN, LOCKING,M3X22 SPIRAL	56	580.47671		REVERSERSPRING
22	342.13024		LOCKING PIN,M4X24 SPIRAL	57	580.47701		PUSHRODSRING
23	379.11532		BALL 15/32 RIV RB-11.906	58	580.47702		STEERING COLUMNCABLE
24	381.12817		O-RING,M28.17X3.53	59	580.47731		STEERING COLUMNSTICKER
25	382.11400		OIL SEAL,M14X22X4	60	580.57232		SPRING
26	523.57250		PTOPIN	61	580.57706		GEARDECAL
27	530.48656		MARK OVAL	62	581.47704		ADJUSTINGSCREW
28	551.02714		KNOB	63	590.47610		STEERING COLUMN
29	551.42076		KNOB	64	590.47620		HANDLEBAR RELEASELEVER
30	552.43340		SUPPORT CONTROLRODCUT	65	590.47625		STEERING COLUMNLOCKINGLEVER
31	552.47636		STEERING COLUMNINTERM.PANEL	66	590.47666		REVERSERPOSTIONLEVER
32	552.47645		GEARBOX ARTICULATION	67	590.47688		STEERING COLUMNCOUPLING
33	552.48072		KNOB REDUCTION UNITLEVER	68	590.56970		STEERING COLUMN SUPPORT
34	552.48379		PTO ARTICULATION	69	590.57300		SPEED SELECTORLEVER
35	552.57313		PTO LOCKOUTRING	70	590.57315		REVERSERLEVER



ID	PART NO	QTY	DESCRIPTION	ID	PART NO	QTY	DESCRIPTION
1	300.10120		SILENTBLOCK	36	552.57322		PTO STOPRING
2	311.11151		SCREW, M8X16	37	561.47560		REVERSE SPEED LEVER DOG
3	311.11225		SCREW, M10X90	38	561.47574		REVERSE BLOCK
4	311.12148		SCREW, M8X14	39	561.47641		HANDLEBAR U-BOLT
5	311.12149		SCREW, M8X12	40	561.47646		GEARBOX CONTROL ROD
6	311.12153		SCREW, M8X35	41	561.47648		PTO CONTROL ROD
7	311.12295		SCREW, M12X95	42	561.47664		REVERSE GEAR
8	312.11060		NUT, M6	43	561.47672		GUIDE PIN
9	312.41080		NUT, SELF LOCKING, M8	44	561.47703		BENDE REVERSE GEAR
10	312.41101		NUT, SELF LOCKING, M10	45	561.57239		GEAR QUADRAINT
11	312.41121		NUT, SELF LOCKING, M12	46	561.57271		GEAR LEVER
12	314.11084		WASHER, FLAT, M8.4	47	561.57303		SPACER
13	314.11104		WASHER	48	561.57324		PTO CONTROL LEVER
14	314.21083		WASHER, M8.4	49	563.56924		PUSH ROD
15	314.23084		WASHER, LOCK, M8.4	50	571.48509		PROTECTION END D32
16	314.23105		WASHER, LOCK, M10.5	51	580.02429		CLAMP, CABLE
17	314.23130		WASHER, LOCK, M13	52	580.26321		SPRING
18	314.40004		WASHER, LOCK FOR PINS	53	580.42167		END, CABLE
19	341.10028		COTTER PIN	54	580.43176		SPRING
20	342.13020		LOCKING PIN, M4X20 SPIRAL	55	580.47624		HANDLEBAR RELEASE SPRING
21	342.13022		PIN, LOCKING, M3X22 SPIRAL	56	580.47671		REVERSE SPRING
22	342.13024		LOCKING PIN, M4X24 SPIRAL	57	580.47701		PUSH ROD SPRING
23	379.11532		BALL 15/32 RIV RB-11.906	58	580.47702		STEERING COLUMN CABLE
24	381.12817		O-RING, M28.17X3.53	59	580.47731		STEERING COLUMN STICKER
25	382.11400		OIL SEAL, M14X22X4	60	580.57232		SPRING
26	523.57250		PTO PIN	61	580.57706		GEAR DECAL
27	530.48656		MARK OVAL	62	581.47704		ADJUSTING SCREW
28	551.02714		KNOB	63	590.47610		STEERING COLUMN
29	551.42076		KNOB	64	590.47620		HANDLEBAR RELEASE LEVER
30	552.43340		SUPPORT CONTROL ROD CUT	65	590.47625		STEERING COLUMN LOCKING LEVER
31	552.47636		STEERING COLUMN INTERM. PANEL	66	590.47666		REVERSE POSITION LEVER
32	552.47645		GEARBOX ARTICULATION	67	590.47688		STEERING COLUMN COUPLING
33	552.48072		KNOB REDUCTION UNIT LEVER	68	590.56970		STEERING COLUMN SUPPORT
34	552.48379		PTO ARTICULATION	69	590.57300		SPEED SELECTOR LEVER
35	552.57313		PTO LOCKOUT RING	70	590.57315		REVERSE LEVER

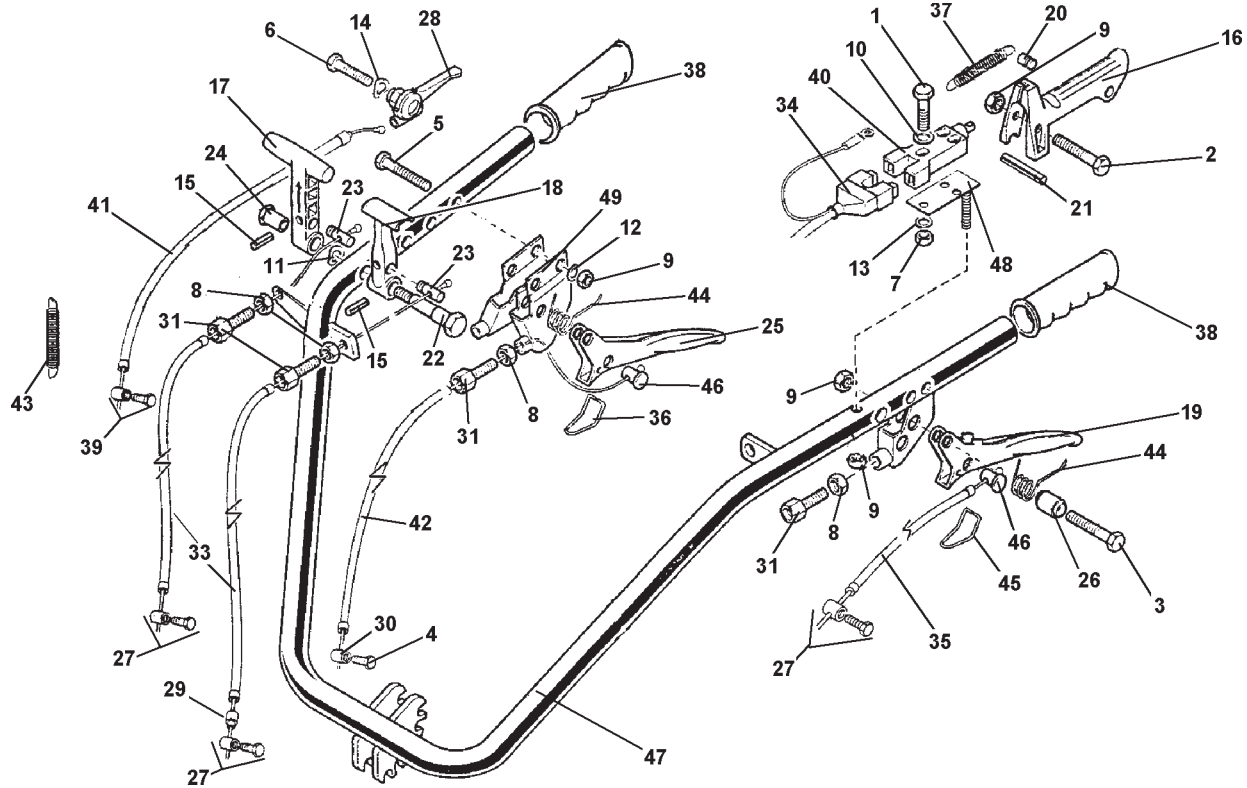
850

Handlebar

Serial Number Range 1000 - 3162

07.00

REVISED 05/05/11



ID	PART NO	QTY	DESCRIPTION	ID	PART NO	QTY	DESCRIPTION
1	311.11086		SCREW, M4X25	26	561.50361		LEVER SPACER
2	311.11097		SCREW, M6X45	27	580.02429		CLAMP, CABLE
3	311.12089		SCREW, M6X25	28	580.02538		LEVER, ACCELERATOR
4	311.12090		SCREW, M6X16	29	580.42167		CABLE END
5	311.12092		SCREW, M6X35	30	580.42200		PIN, CABLE CLAMP
6	311.12153		SCREW, M8X35	31	580.42202		SCREW, ADJUSTING M8
7	312.11040		NUT, M4	33	580.43216		CABLE, DIFFERENTIAL & REVERSE
8	312.11080		NUT, M8	34	580.47568		SWITCH WIRING HARNESS
9	312.41060		NUT, SELF LOCKING, M6	35	580.47647		CLUTCH CABLE
10	314.11043		FLAT WASHER, M4.3	36	580.47649		HOOK
11	314.11084		WASHER	37	580.47712		SPRING
12	314.22064		WASHER, LOCK, M6.4	38	580.48000		GRIP
13	314.23043		LOCK WASHER, M4.3	39	580.48002		CLAMP, CABLE, VANGARD
14	314.23084		WASHER, LOCK, M8.4	40	580.48009		STOP SWITCH
15	342.13020		PIN, LOCKING, M4X20	41	580.48012		THROTTLE CABLE, VANGARD
16	552.48041		MOTOR STOP LEVER	42	580.49663		CABLE, BRAKE
17	552.48283		REVERSER LEVER	43	580.49786		SPRING, KOHLER
18	552.48284		LEVER DIFFERENTIAL LOCKING	44	580.50345		LEVER SPRING
19	561.47655		CLUTCH LEVER	45	580.51670		HOOK
20	561.47711		SPRING PIN	46	581.50313		BARREL
21	561.48037		LEVER STOP FOR MOTOR STOP	47	590.47608		HANDLE ASSEMBLY
22	561.48285		SCREW	48	590.47709		SWITCH PLATE
23	561.48286		DRILLED PIN	49	590.48469		COUPLING FOR DOUBLE LEVER
24	561.48287		DRILLED PIN				
25	561.48470		LEVER				

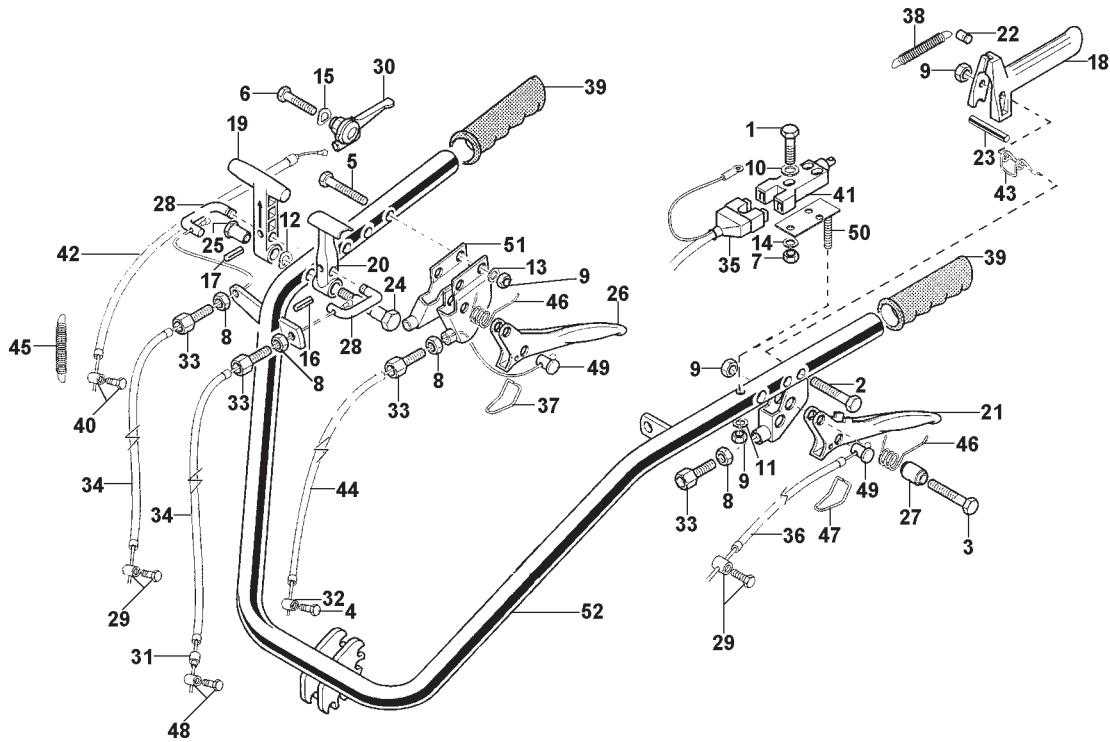
850

Handlebar

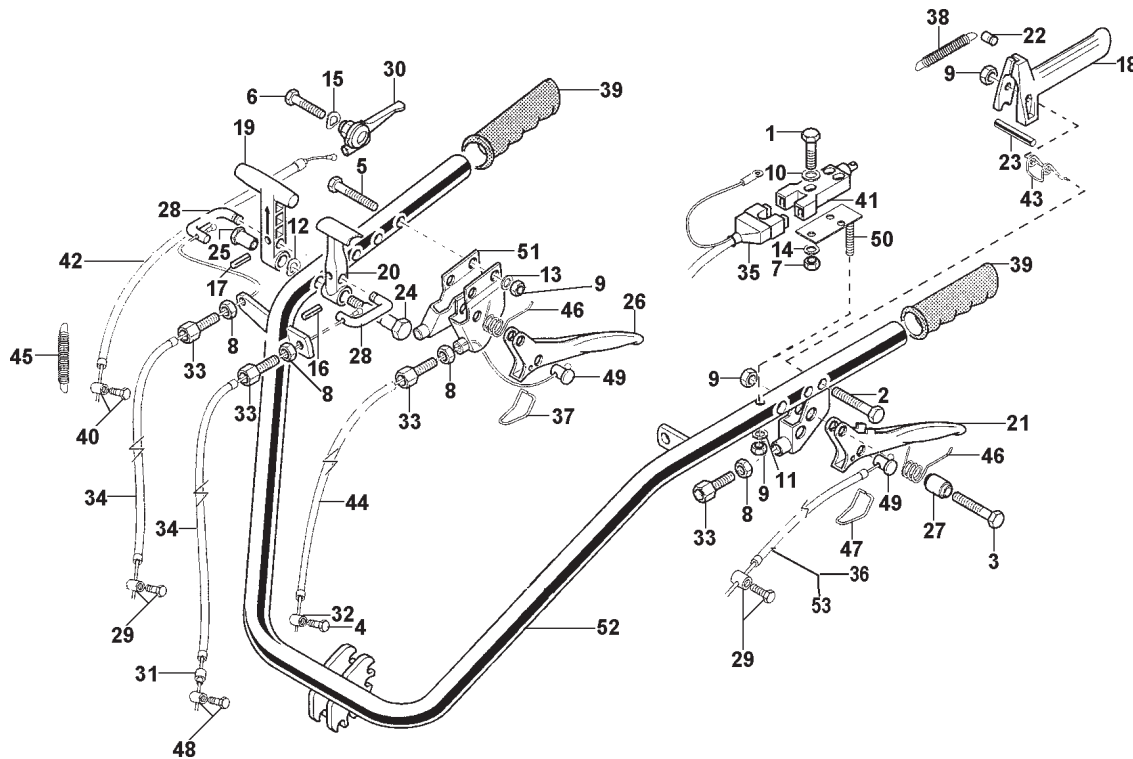
Serial Number Range

3163 - -----

07.01



ID	PART NO	QTY	DESCRIPTION	ID	PART NO	QTY	DESCRIPTION
1	311.11086		SCREW, M4X25	30	580.02538		LEVER, ACCELERATOR
2	311.11097		SCREW, M6X45	31	580.42167		CABLE END
3	311.12089		SCREW, M6X25	32	580.42200		PIN, CABLE CLAMP
4	311.12090		SCREW, M6X16	33	580.42202		SCREW, ADJUSTING M8
5	311.12092		SCREW, M6X35	34	580.43216		CABLE, REVERSE
6	311.12153		SCREW, M8X35	35	580.47568		SWITCH WIRING HARNESS
7	312.11040		NUT, M4	36	580.47647		CLUTCH CABLE
8	312.11080		NUT, M8	37	580.47649		HOOK
9	312.41060		NUT, SELF LOCKING, M6	38	580.47712		SPRING
10	314.11043		FLAT WASHER, M4.3	39	580.48000		GRIP
11	314.11064		WASHER, FLAT 6.4	40	580.48002		CLAMP, CABLE, VANGARD
12	314.11084		WASHER	41	580.48009		STOP SWITCH
13	314.22064		WASHER, LOCK, M6.4	42	580.48012		THROTTLE CABLE, VANGARD
14	314.23043		LOCK WASHER, M4.3	43	580.48039		MOTOR STOP LEVER SPRING
15	314.23084		WASHER, LOCK, M8.4	44	580.49663		CABLE, BRAKE
16	342.11040		PIN, LOCKING M4X20	45	580.49786		SPRING, KOHLER
17	342.13020		PIN, LOCKING, M4X20	46	580.50345		LEVER SPRING
18	552.48041		MOTOR STOP LEVER	47	580.51670		HOOK
19	552.48283		REVERSER LEVER	48	580.57263		CABLE CLAMP
20	552.48284		LEVER DIFFERENTIAL LOCKING	49	581.50313		BARREL
21	561.47655		CLUTCH LEVER	50	590.47709		SWITCH PLATE
22	561.47711		SPRING PIN	51	590.48469		COUPLING FOR DOUBLE LEVER
23	561.48037		LEVER STOP FOR MOTOR STOP	52	590.57115		HANDLEBAR
24	561.48285		SCREW				
25	561.48287		DRILLED PIN				
26	561.48470		LEVER				
27	561.50361		LEVER SPACER				
28	561.57332		U-PIN				
29	580.02429		CLAMP, CABLE				



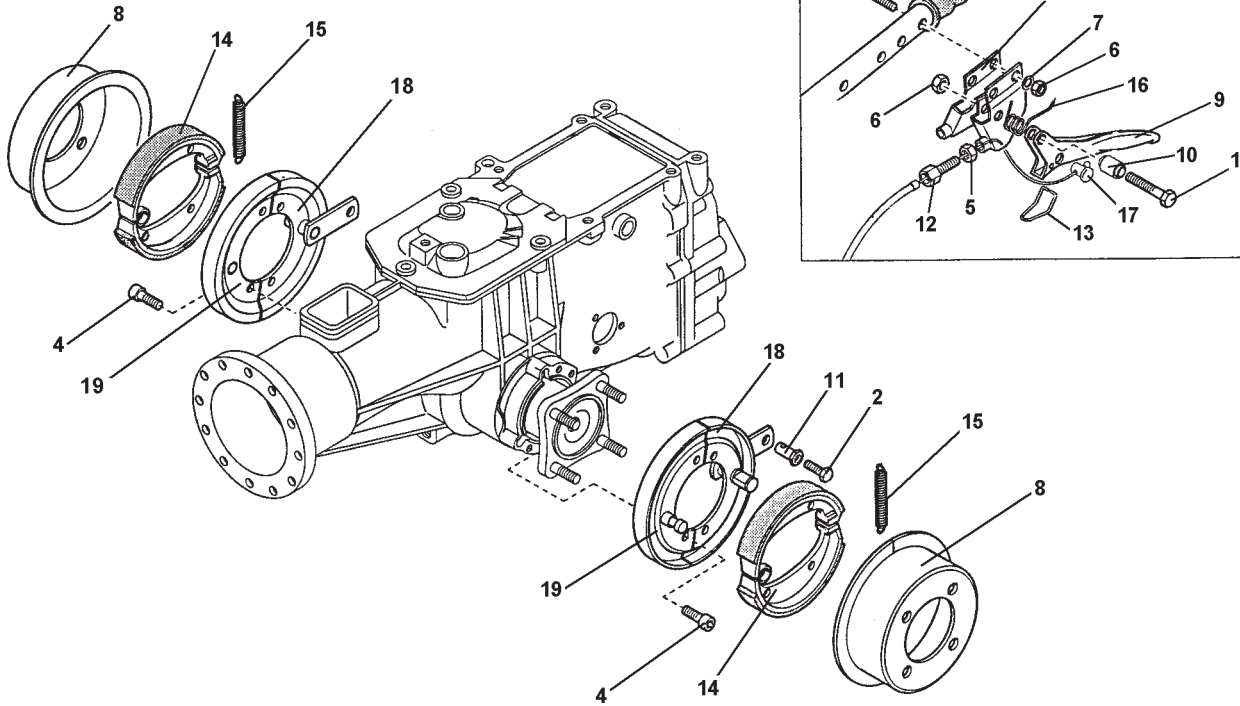
ID	PART NO	QTY	DESCRIPTION	ID	PART NO	QTY	DESCRIPTION
1	311.11086		SCREW, M4X25	30	580.02538		LEVER, ACCELERATOR
2	311.11097		SCREW, M6X45	31	580.42167		CABLE END
3	311.12089		SCREW, M6X25	32	580.42200		PIN, CABLE CLAMP
4	311.12090		SCREW, M6X16	33	580.42202		SCREW, ADJUSTING M8
5	311.12092		SCREW, M6X35	34	580.43216		CABLE, REVERSE
6	311.12153		SCREW, M8X35	35	580.47568		SWITCH WIRING HARNESS
7	312.11040		NUT, M4	36	580.47647		CABLE, CLUTCH RECOIL START
8	312.11080		NUT, M8	37	580.47649		HOOK
9	312.41060		NUT, SELF LOCKING, M6	38	580.47712		SPRING
10	314.11043		FLAT WASHER, M4.3	39	580.48000		GRIP
11	314.11064		WASHER, FLAT 6.4	40	580.48002		CLAMP, CABLE, VANGARD
12	314.11084		WASHER	41	580.48009		STOP SWITCH
13	314.22064		WASHER, LOCK, M6.4	42	580.57336		THROTTLE CABLE,
14	314.23043		LOCK WASHER, M4.3	43	580.48039		MOTOR STOP LEVER SPRING
15	314.23084		WASHER, LOCK, M8.4	44	580.49663		CABLE, BRAKE
16	342.11040		PIN, LOCKING M4X20	45	580.56164		SPRING, KOHLER
17	342.13020		PIN, LOCKING, M4X20	46	580.50345		LEVER SPRING
18	552.48041		MOTOR STOP LEVER	47	580.51670		HOOK
19	552.48283		REVERSER LEVER	48	580.57263		CABLE CLAMP
20	552.48284		LEVER DIFFERENTIAL LOCKING	49	581.50313		BARREL
21	561.47655		CLUTCH LEVER	50	590.47709		SWITCH PLATE
22	561.47711		SPRING PIN	51	590.48469		COUPLING FOR DOUBLE LEVER
23	561.48037		LEVER STOP FOR MOTOR STOP	52	590.57115		HANDLEBAR
24	561.48285		SCREW	53	580.57343		CABLE, CLUTCH ELECTRIC START
25	561.48287		DRILLED PIN				
26	561.48470		LEVER				
27	561.50361		LEVER SPACER				
28	561.57332		U-PIN				
29	580.02429		CLAMP, CABLE				

850

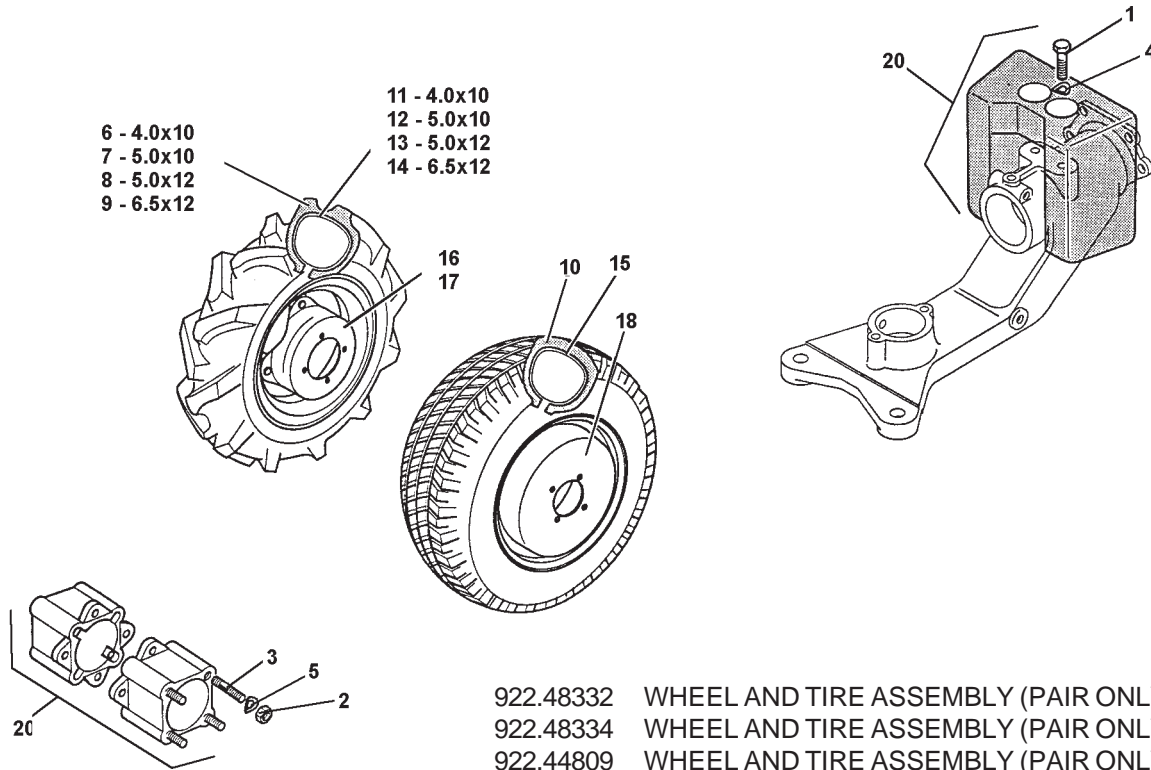
Brakes

Serial Number Range
1000 - -----

08.00



ID	PART NO	QTY	DESCRIPTION	ID	PART NO	QTY	DESCRIPTION
1	311.12089		SCREW, M6X25	11	580.42200		PIN, CABLE CLAMP
2	311.12090		SCREW, M6X16	12	580.42202		SCREW, ADJUSTING, M8
3	311.12092		SCREW, M6X35	13	580.47649		HOOK
4	311.52085		SCREW, M8X25	14	580.48214		SHOE
5	312.11080		NUT, M8	15	580.48215		SPRING
6	312.41060		NUT, SELF LOCKING, M6	16	580.50345		LEVER SPRING
7	314.22064		WASHER, LOCK, M6.4	17	581.50313		BARREL
8	561.48218		BRAKE DRUM	18	590.48200		SEMIDISC LEVER
9	561.48470		LEVER	19	590.48208		PIN, HALF DISC
10	561.50361		LEVER SPACER	20	590.48469		COUPLING FOR DOUBLE LEVER



ID	PART NO	QTY	DESCRIPTION	ID	PART NO	QTY	DESCRIPTION
1	311.12151		SCREW, M8X25	11	394.14010		TUBE, 4.00X10
2	312.11100		NUT, M10	12	394.15010		TUBE, 5.00X10
3	313.12102		STUD, M10X40X22X14	13	394.15012		TUBE, 5.00X12
4	314.23084		WASHER, M8.4	14	394.16018		TUBE, 6.50X12
5	314.23105		WASHER, LOCK, M10.5	15	394.18020		TUBE, 20X8.00-10
6	391.14010		TIRE, TRACTOR, 4.00X10	16	580.48330		RIM, 4.0X10 & 5.0X10
7	391.15010		TIRE, TRACTOR, 5.00X10	17	580.44804		RIM, 5.00X12 & 6.5X12
8	391.15012		TIRE, TRACTOR, 5.00X12	18	580.48331		RIM 6.0X10
9	391.16018		TIRE, TRACTOR, 6.50X12	19	922.43685		WHEEL EXTENSIONS, 5" PAIR
10	391.18020		TIRE, TURF, 20X8.00-10	20	922.48923		CUTTER BAR WEIGHT, 26#