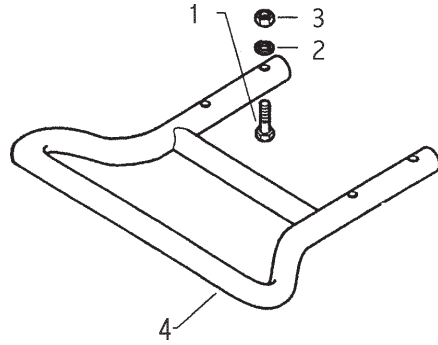




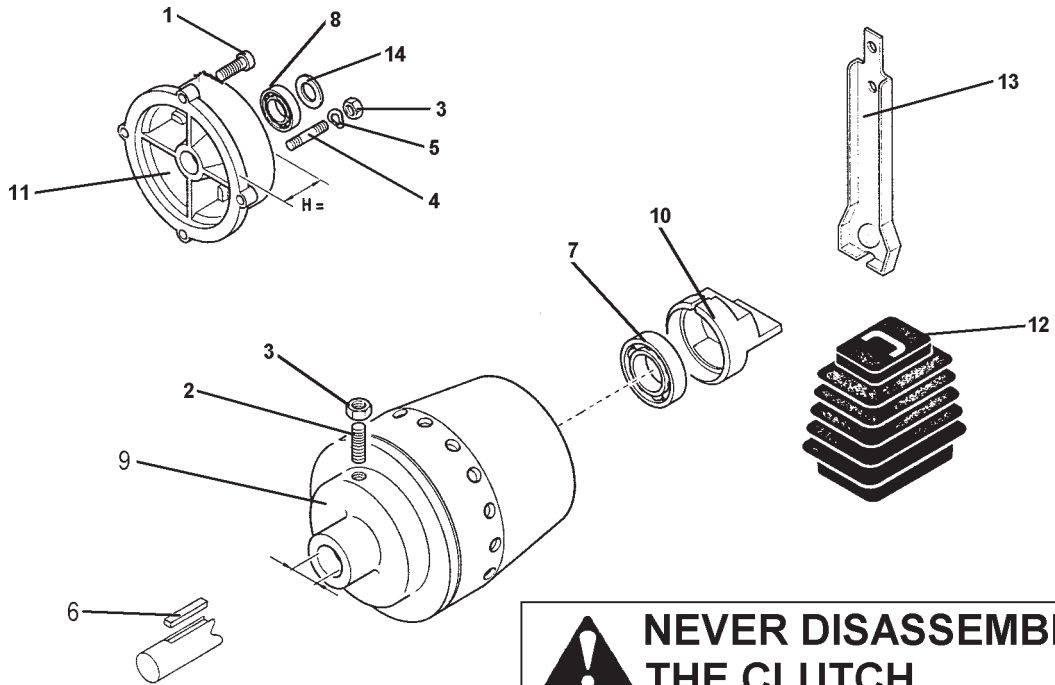
---

A M E R I C A

---

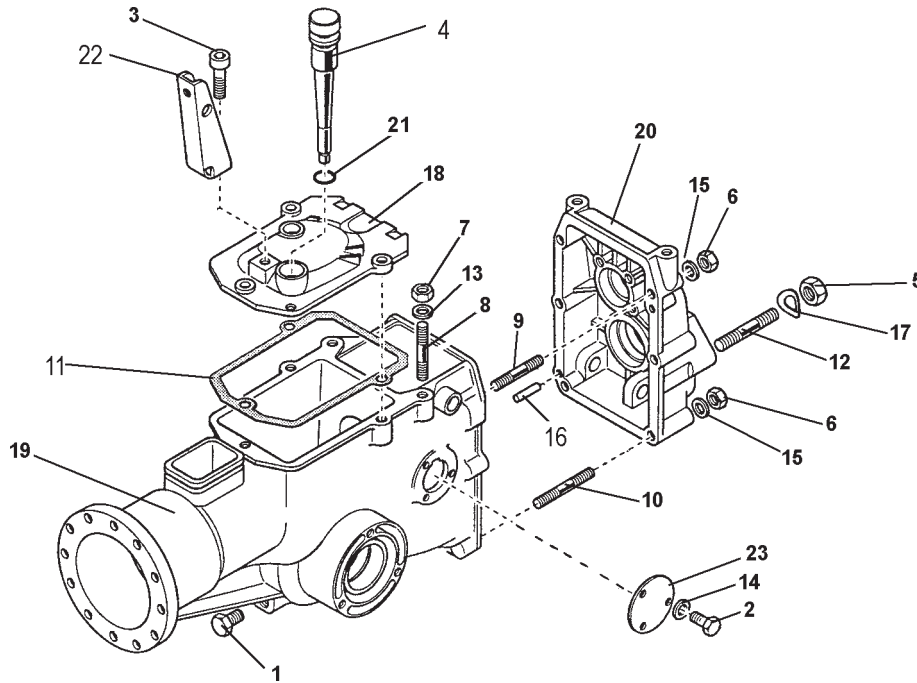


ID	PART NO	QTY	DESCRIPTION	ID	PART NO	QTY	DESCRIPTION
1	311.12158		SCREWM8X70				
2	314.11084		FLAT WASHER 8.4				
3	312.41080		NUT, SELF LOCKING M8				
4	590.56053		BUMPER				

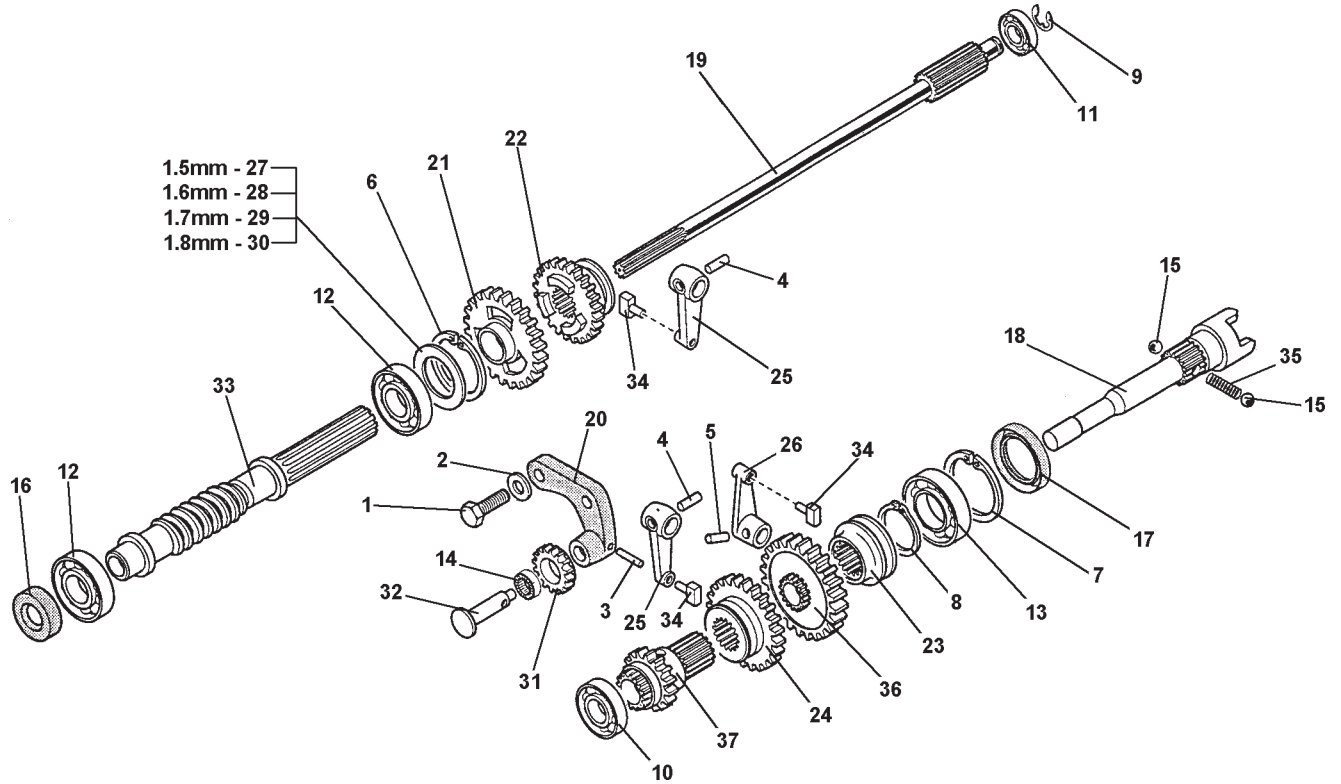


**⚠ NEVER DISASSEMBLE THE CLUTCH**

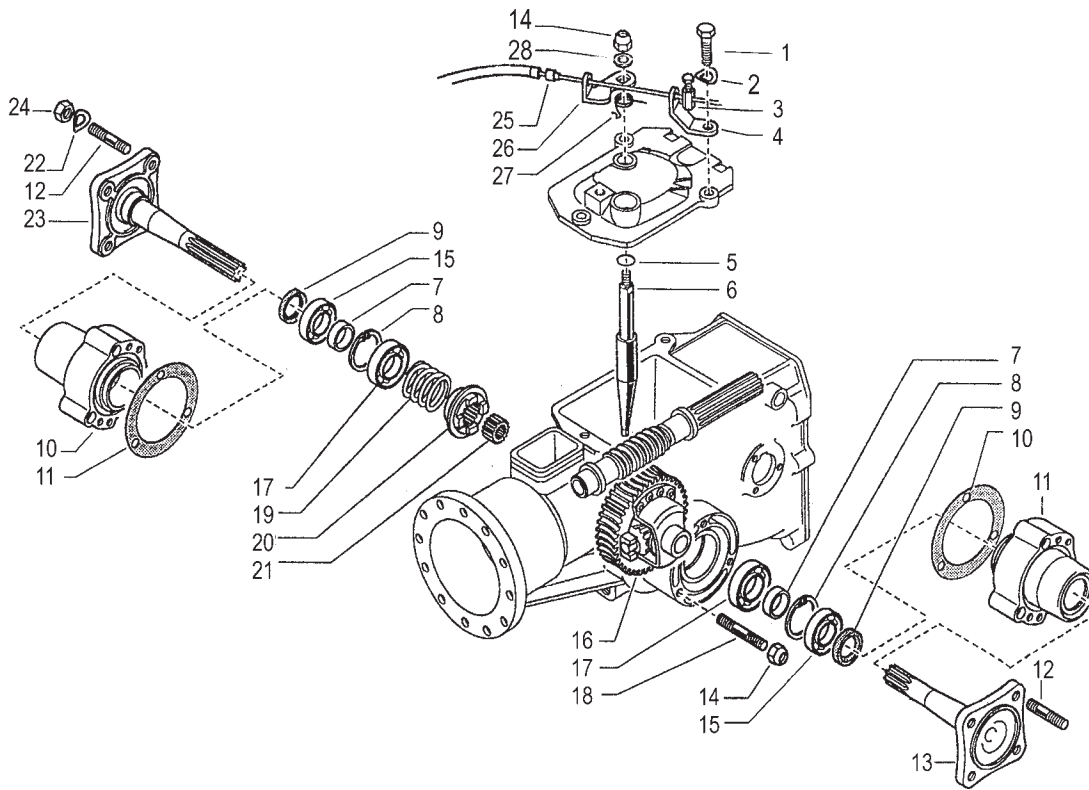
ID	PART NO	QTY	DESCRIPTION	ID	PART NO	QTY	DESCRIPTION
1	311.00015		SCREW 3/8X1"	11	531.56150		FLANGE
2	311.00786		SCREW M8X30	12	551.47842		BOOT, RECOIL START
3	312.11080		NUT, M8	13	561.47845		LEVER, RECOIL START
4	313.12088		STUD, M8X40X14X14	14	563.47484		WASHER
5	314.23084		WASHER, WAVE				
6	563.49782		KEY				
7	371.12173		BEARING, M17X40X12				
8	371.12233		BEARING, 30X55X13				
9	592.56257		CLUTCH, ,				
10	524.47896		CONE PUSHER				



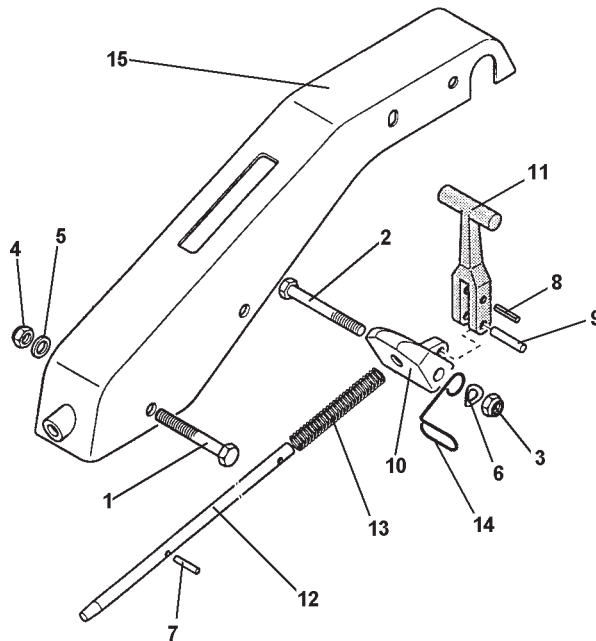
ID	PART NO	QTY	DESCRIPTION	ID	PART NO	QTY	DESCRIPTION
1	300.40001		PLUG	16	580.43053		PARALLEL PIN
2	311.11090		SCREWM6X10	17	314.23130		WASHER, LOCK, M13
3	311.52103		SCREWM10X25	18	531.43875		GEARBOX COVER
4	590.15425		CAP WITH DIP STICK	19	531.56346		GEAR BOX CASE
5	312.21121		NUT, M12X1.25	20	531.56332		REAR COVER
6	312.41080		NUT, SELF LOCKING M8	21	551.02678		"O" RING
7	312.41085		NUT	22	561.47923		CLUTCHBRACKET
8	313.12082		STUDM8X38X14X20	23	561.47520		SIDE COVER
9	313.12084		STUDM8X58X16X16				
10	313.12094		STUDM8X68				
11	580.43117		GASKET, COVER				
12	313.12124		STUDM12X1.25X12X52				
13	314.21083		SUPER WASHER 8				
14	314.22064		WASHER, LOCK 6.4				
15	314.23084		WASHER, LOCK 8.4				



ID	PART NO	QTY	DESCRIPTION	ID	PART NO	QTY	DESCRIPTION
1	311.12211		SCREW, M10X30	21	524.56354		FIRST GEAR
2	314.21101		SUPER WASHER 10	22	524.56361		SLIDER GEAR
3	342.13024		LOCKING PIN, 4X25	23	524.56362		PTO SLIDER
4	342.13060		LOCKING PIN, 6X24	24	524.56370		SLIDER, REVERSER
5	342.13061		LOCKING PIN, 6X20 SPIRAL	25	524.56389		LEVER, SLIDER
6	351.11052		CIRCLIP, INTERNAL	26	524.56390		LEVER, PTO ENGAGEMENT
7	351.11055		CIRCLIP, INTERNAL	27	563.56328		SHIM 1.5MM
8	351.21031		CIRCLIP, EXTERNAL	28	563.56329		SHIM 1.6MM
9	352.11120		RETAINING RING	29	563.56330		SHIM 1.7MM
10	371.11151		BEARING, 15X35X11	30	563.56331		SHIM 1.8MM
11	371.11152		BEARING, 15X42X13	31	564.56347		REVERSE GEAR
12	371.11255		BEARING, 25X52X15	32	564.56351		PIN, REVERSE GEAR
13	371.12229		BEARING, 30X55X13	33	564.56475		WORM GEAR
14	373.20120		BEARING, 12X15X10	34	580.43086		SHOE
15	379.10832		BALL, 1/4"	35	580.56391		SPRING, PTO BALLS
16	382.11500		OIL SEAL, 15X28X7	36	590.56365		PTO GEAR
17	382.13800		OIL SEAL, 38X55X7	37	590.56384		GEAR
18	524.56335		PTO SHAFT				
19	524.56339		MAIN SHAFT				
20	524.56344		REVERSER BRACKET				



ID	PART NO	QTY	DESCRIPTION	ID	PART NO	QTY	DESCRIPTION
1	311.12152		BOLTM8X30	16	592.48175		DIFFERENTIAL COMPLETE
2	314.23084		LOCK WASHER	17	371.11202		BEARING 20X52X15
3	580.02429		CABLE CLAMP	18	313.12080		STUDM8X46
4	561.43883		CABLE BRACKET DIFFERENTIAL	19	580.43874		SPRING
5	381.11400		O-RING	20	524.48182		COUPLING
6	564.43871		ROD	21	564.43857		DIFFERENTIAL SPACER
7	561.43865		RING	22	314.23105		WASHER
8	351.11047		INTERNAL SNAP RING D 47	23	524.43852		HALF AXLE RH
9	382.13002		SEALM30X40X7	24	312.11100		NUTM10
10	580.43855		GASKET	25	580.42167		SHEATH ENDS
11	532.43851		HUB FOR HALF AXLE	26	561.43880		RELEASE LEVER
12	313.12102		STUDM10X40	27	580.43881		SPRING
13	524.43853		HALF AXLE LH	28	314.11084		FLAT WASHER
14	312.41080		SELF LOCKING NUT M8				
15	371.11253		BEARING 25X47X12				



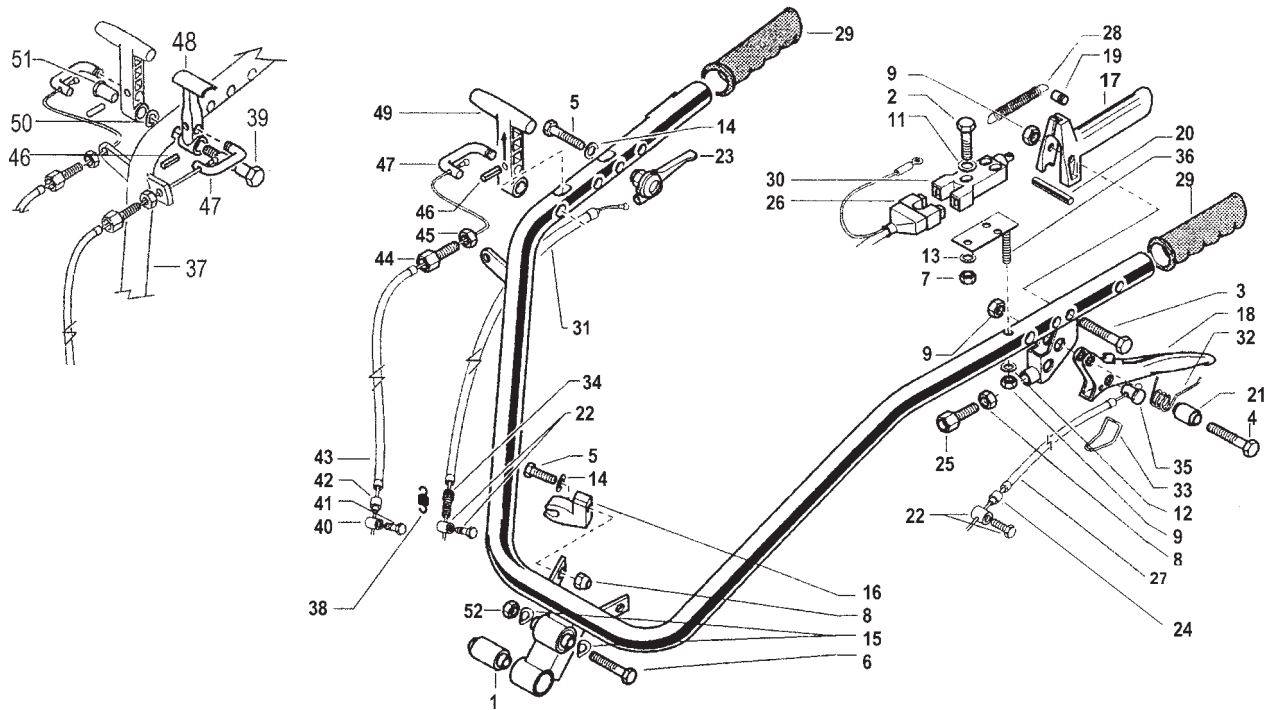
ID	PART NO	QTY	DESCRIPTION	ID	PART NO	QTY	DESCRIPTION
1	311.12294		SCREW, M12X85	11	552.51688		ADJUSTING LEVER
2	311.13210		SCREW, M10X80	12	563.51685		HANDLEBAR POSITION ROD
3	312.41100		NUT, SELF LOCKING, M10	13	580.42219		SPRING, ROD
4	312.41120		NUT, SELF LOCKING, M12	14	580.57266		CABLE GUIDE
5	314.21130		WASHER, M10.4	15	590.51682		STEERING COLMUN
6	314.23105		WASHER, LOCKING, M13				
7	342.11028		PIN, LOCKING				
8	342.11041		PIN, LOCKING, M4X35				
9	342.21070		PIN, LOCKING				
10	552.51686		SUPPORT, RD				

# 730GX

# Handlebar

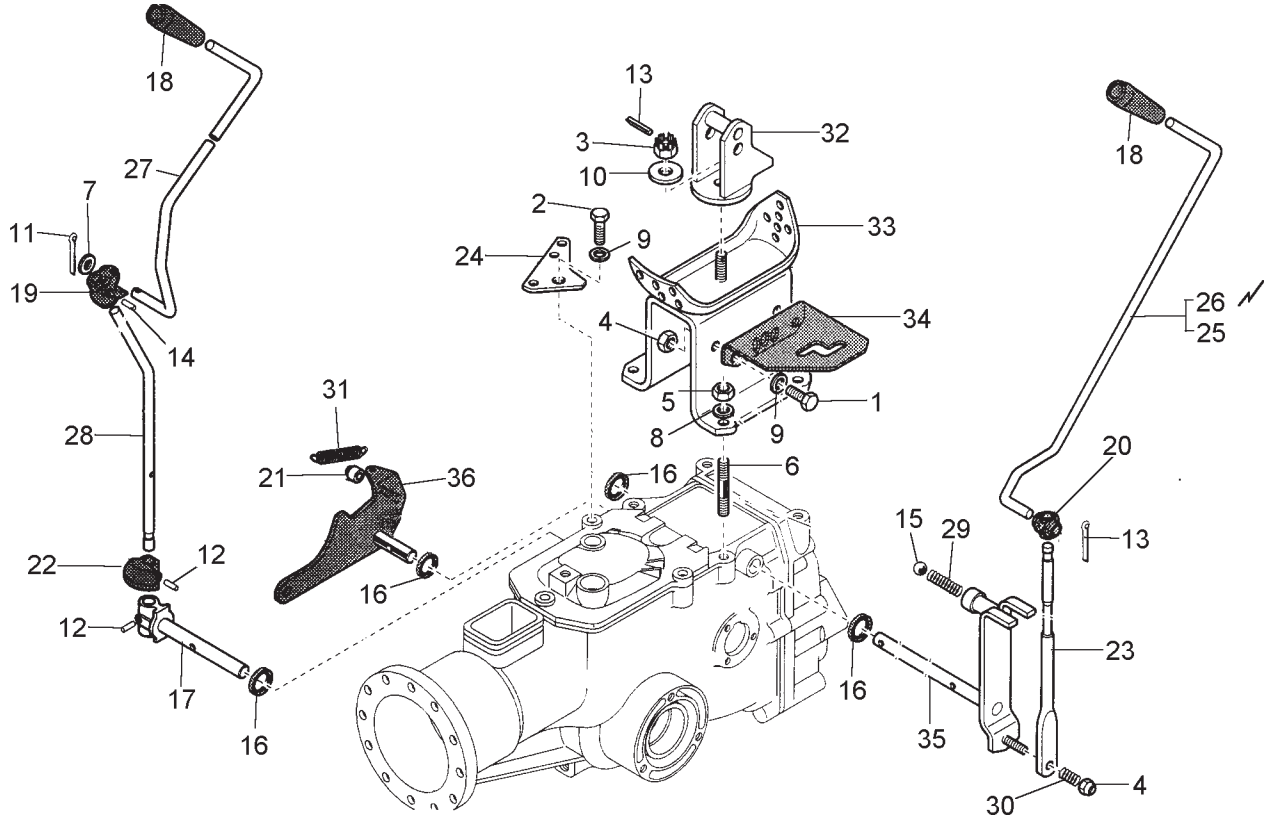
# Serial Number Range

# 07.00

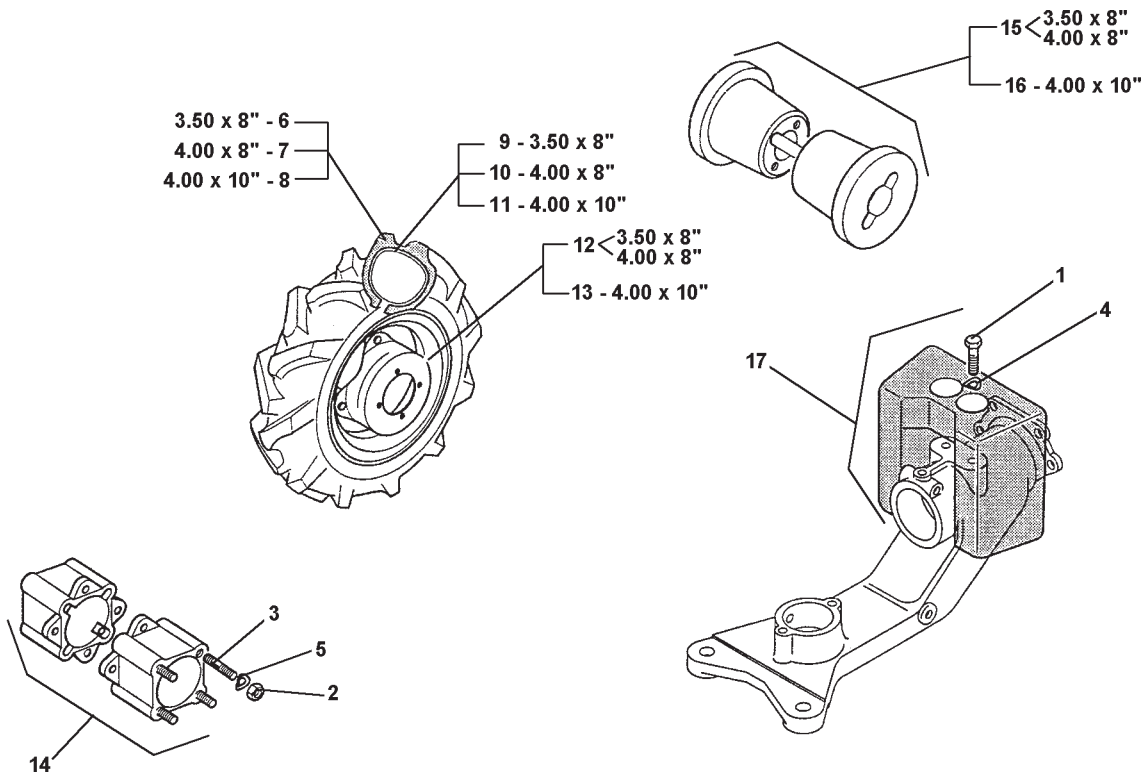


16- REPLACED BY 552.43338 FOR USE ON UNITS WITH REAR ATTACHMENTS ONLY.

ID	PART NO	QTY	DESCRIPTION	ID	PART NO	QTY	DESCRIPTION
1	300.10103		SILENTBLOCK	27	580.47629		CLUTCH CABLE
2	311.11086		SCREW TE M4X25	28	580.47712		SPRING
3	311.11097		SCREW, TE M6X45	29	580.48000		GRIP
4	311.12089		SCREW, M6X25	30	580.48009		STOP SWITCH
5	311.12153		SCREW, M8X35	31	580.57335		THROTTLE CABLE
6	311.12217		SCREW, M10X80	32	580.50345		LEVER SPRING
7	312.11040		NUT, M4	33	580.51670		HOOK
8	312.41080		NUT, M8	34	580.48002		CABLE ADJUSTER
9	312.41060		NUT, SELF LOCKING M6	35	581.50313		BARREL
10	312.41100		NUT, M10	36	590.47709		SWITCHPLATE
11	314.11043		FLAT WASHER, M4.3	37	590.57110		HANDLE BAR
12	314.11064		WASHER, FLAT 6.4	38	580.56153		SPRING
13	314.23043		LOCK WASHER, M4.3	39	561.48285		PIVOT PIN
14	314.23084		WASHER, M8.4	40	580.42200		CABLE CLAMP PIN
15	314.23105		WAVE WASHER, M10.4	41	311.11091		CAPSCREWM6X14
<b>16</b>	<b>552.43340</b>		<b>SUPPORT, CONTROL ROD</b>	42	580.42167		SHEATH END
17	552.48041		MOTOR STOP LEVER	43	580.57286		REVERSER CABLE
18	561.47655		CLUTCHLEVER	44	580.42202		ADJUSTING SCREW
19	561.47711		SPRING PIN	45	312.11080		NUT M8
20	561.48037		LEVER STOP FOR MOTOR STOP	46	342.13020		SPLIT PIN 4X20
21	561.50361		LEVER SPACER	47	561.57332		PIN, REVERSER CABLE
22	580.48002		CLAMP, CABLE	48	552.48284		DIFFERENTIAL HANDLE
23	580.02538		THROTTLE LEVER	49	552.48283		LEVER, REVERSER
24	580.42167		CABLE END	50	314.11084		WASHER
25	580.42202		SCREW, ADJUSTING, M8	51	561.48287		BUSHING
26	580.47568		SWITCH WIRING HARNESS	52	312.41100		NUT, SELF LOCKING M10



ID	PART NO	QTY	DESCRIPTION	ID	PART NO	QTY	DESCRIPTION
1	311.12150		SCREW, M8X20	21	552.57313		PTO LOCKOUT RING
2	311.12152		SCREW, M8X30	22	552.57321		PTO STOP RING
3	312.01212		NUT, CASTLE, M12	23	561.57271		SPEED CONTROL LEVER
4	312.41080		NUT, SELF LOCKING, M8	24	561.57274		REVERSE BRACKET
5	312.41085		NUT, M8	25	561.57275		SPEED CONTROL ROD, RECOIL
6	313.12082		STUD, M8X38X14X20	26	561.57276		SPEED CONTROL ROD, ELECTRIC
7	314.11104		WASHER, M10.5	27	561.57282		PTO CONTROL ROD, ELECTRIC
8	314.21083		SUPER WASHER	28	561.57323		PTO CONTROL LEVER
9	314.23084		WASHER, LOCK, M8.4	29	580.43176		SPRING
10	314.23130		LOCK WASHER, M13	30	580.57232		SPRING
11	341.10028		COTTERPIN	31	580.57273		SPRING
12	342.13020		PIN, LOCKING, M4X20	32	590.56900		HANDLE BAR SUPPORT
13	342.13022		PIN, LOCKING, M3X22	33	590.56905		HANDLE BAR ANCHOR
14	342.13024		PIN, LOCKING, M4X24	34	590.57231		GEAR SELECTOR
15	379.11532		BALL, 15/32"				
16	382.11400		OIL SEAL, 14X22X4				
17	523.57250		PTO SHAFT				
18	551.42076		KNOB				
19	552.48379		PTO ARTICULATION				
20	552.57249		SPEED ARTICULATION				



ID	PART NO	QTY	DESCRIPTION	ID	PART NO	QTY	DESCRIPTION
1	311.12151		SCREW, M8X25	11	394.14010		TUBE 4.00X10"
2	312.11100		NUT, M10	12	580.43250		WHEEL DISC, 3.50X8" & 4.00X8"
3	313.12102		STUD, M10X40X22X14	13	580.48330		RIM, 4.00X10"
4	314.23084		WASHER, M8.4	14	922.43685		WHEEL SPACERS, FIXED
5	314.23105		WASHER, LOCK, 10.5	15	922.43686		WHEEL WEIGHTS 48#
6	391.13502		TIRE 3.50X8" TRACTOR	16	922.48715		WHEEL WEIGHTS 66#
7	391.14008		TIRE 4.00X8" TRACTOR	17	922.48923		CUTTERBAR WEIGHT, 26#
8	391.14010		TIRE 4.00X10" TRACTOR				
9	394.13502		TUBE 3.50X8"				
10	394.14008		TUBE 4.00X8"				