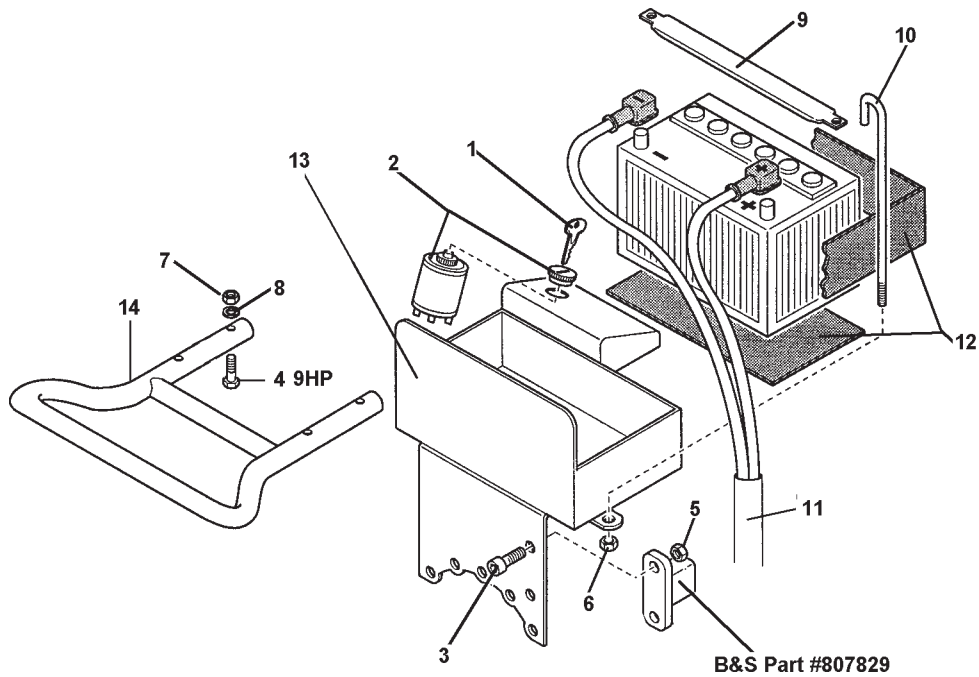
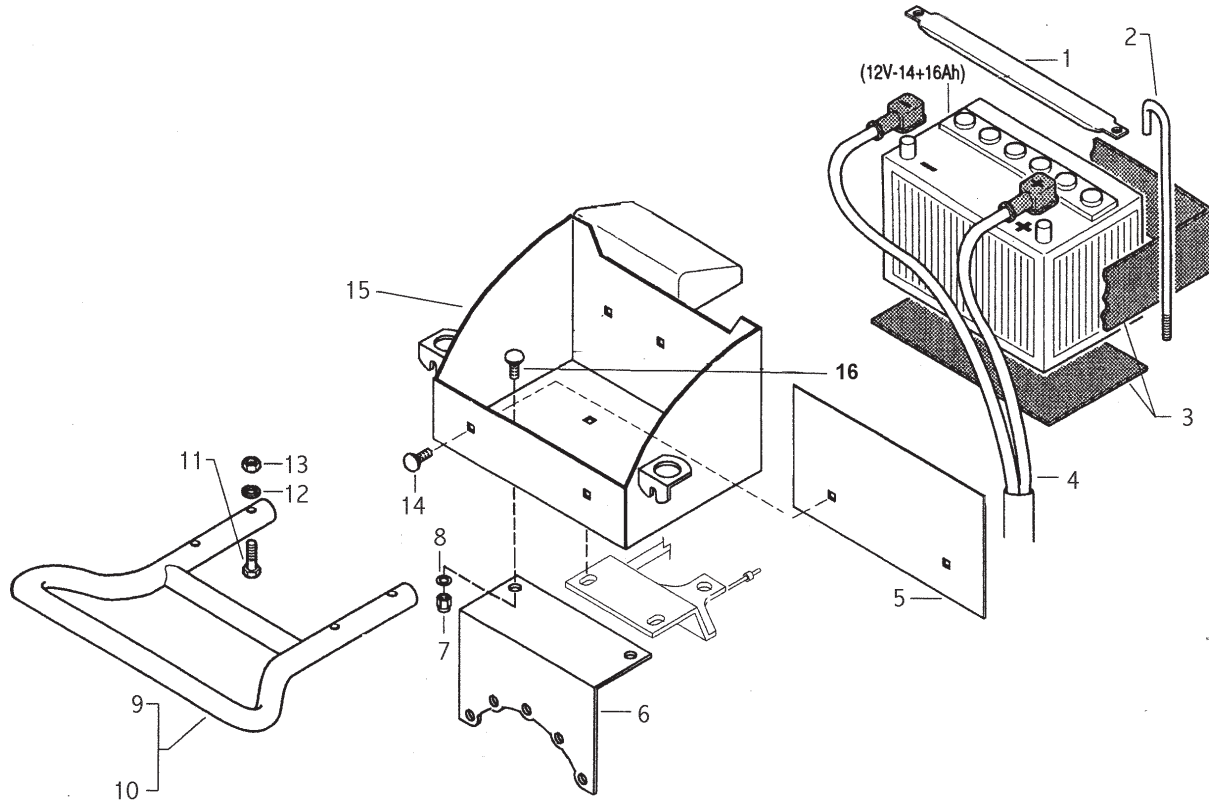




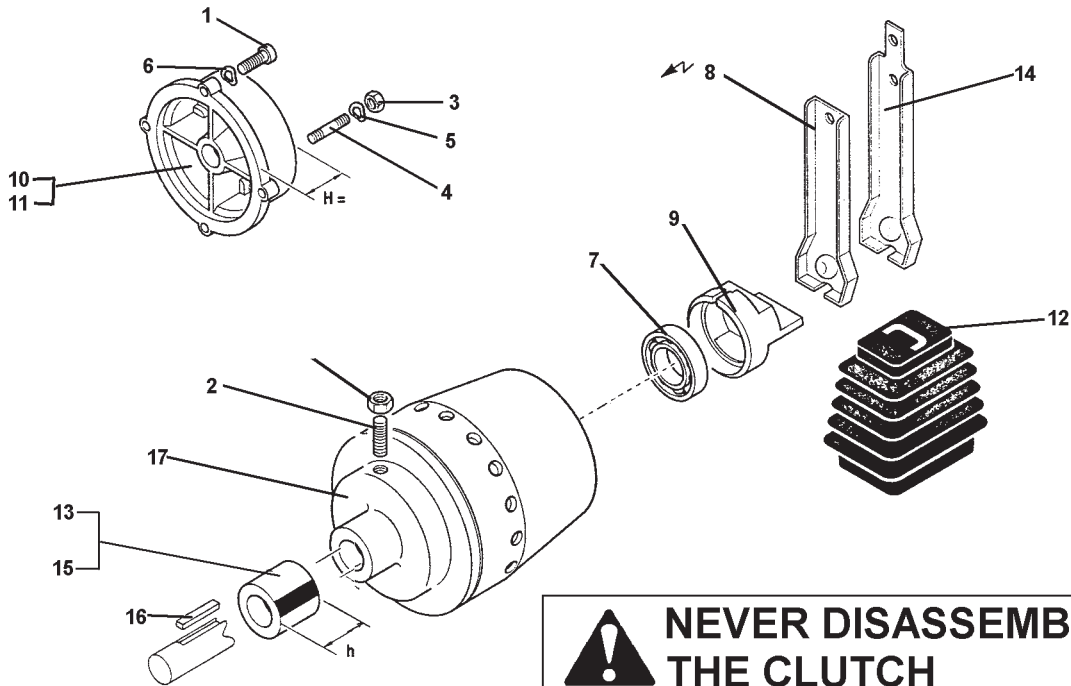
A M E R I C A



ID	PART NO	QTY	DESCRIPTION	ID	PART NO	QTY	DESCRIPTION
1	300.00276		KEY				
2	300.00277		SWITCH				
3	311.11090		SCREW TE M6X10				
4	311.12158		SCREWM8X70				
5	312.11060		NUT M6				
6	312.41060		NUT, SELF LOCKING M6				
7	312.41080		NUT, SELF LOCKING M8				
8	314.11084		FLAT WASHER 8.4				
9	561.19937		BATTERY BRACKET				
10	561.49590		BATTERY TIEROD				
11	580.57383		ELECTRIC START CABLES 9HP				
12	580.57381		BATTERY PADS				
13	590.56078		BUMPER, 9HP B&S VANGAURD				
14	590.57375		BATTERY SUPPORT, 5HP & 8H 12N16-3B BATTERY				

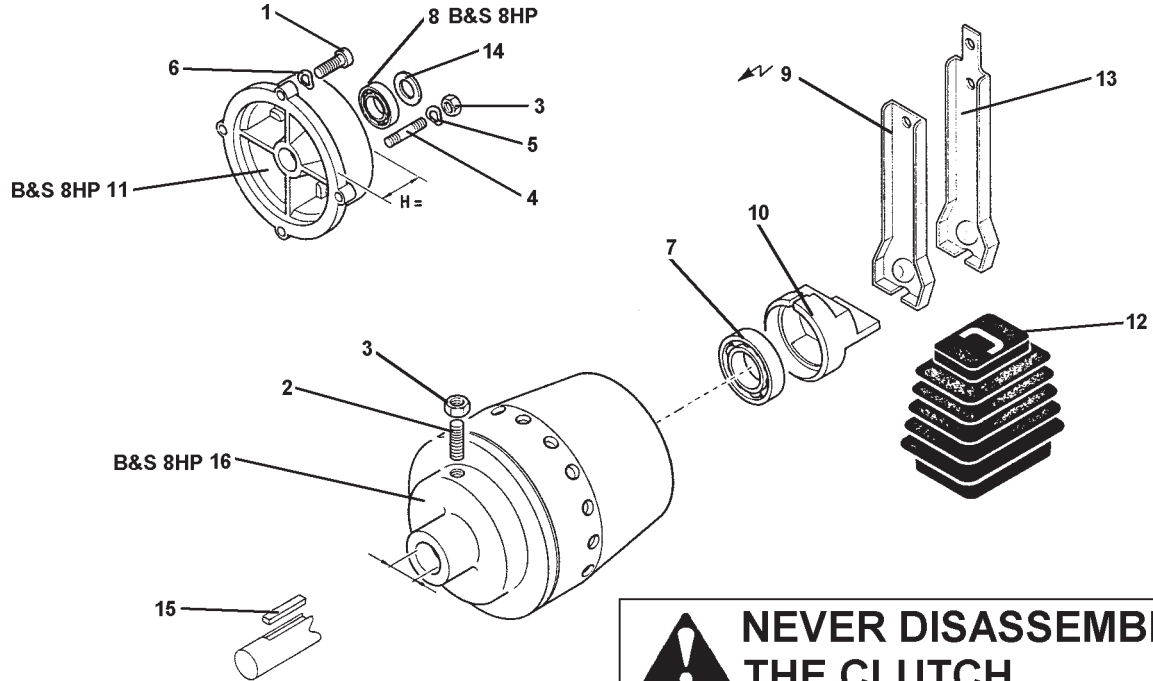


ID	PART NO	QTY	DESCRIPTION	ID	PART NO	QTY	DESCRIPTION
1	561.19937		BATTERY BRACKET				
2	561.57387		BATTERY TIER ROD				
3	580.57397		BATTERY PADS				
4	580.47460		ELECTRIC START CABLES				
5	561.57398		PLATE				
6	561.57393		PLATE				
7	312.41060		NUT				
8	314.11064		WASHER				
9	590.56053		BUMPER, INTEK ENGINES				
10	590.56053		BUMPER, KOHLER CS PRO 8.5, 12 HP				
11	311.12156		SCREW M8X60				
12	314.11084		FLAT WASHER 8.4				
13	312.41080		NUT, SELF LOCKING M8				
14	311.21558		BOLT				
15	590.57390		BATTERY SUPPORT KOHLER CS PRO				
16	31121558		BOLT				

730**Clutch****Serial Number Range
100000 - 102478****02.00**

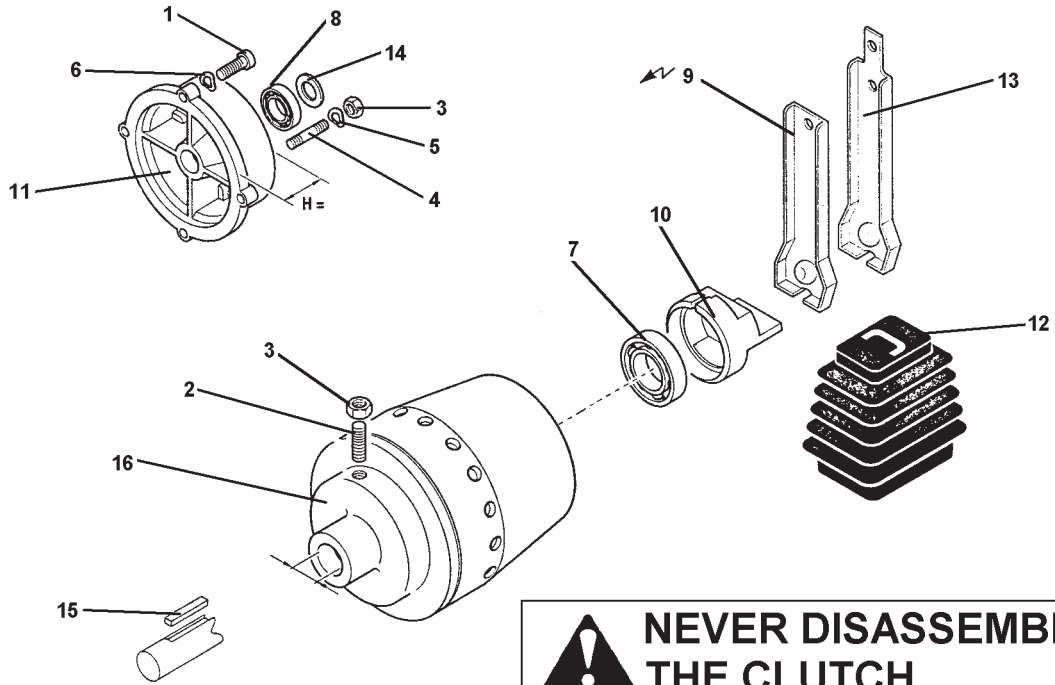
**NEVER DISASSEMBLE
THE CLUTCH**

ID	PART NO	QTY	DESCRIPTION	ID	PART NO	QTY	DESCRIPTION
1	311.00015		SCREW 3/8X1"				
2	311.00786		SCREW M8X30				
3	312.11080		NUT, M8				
4	313.12088		STUD, M8X40X14X14				
5	314.23084		WASHER, WAVE				
6	314.23105		WASHER, WAVE				
7	371.12173		BEARING, M17X40X12				
8	509.47833		CLUTCH LEVER, ELECTRIC START				
9	524.47896		CONE PUSHER				
10	531.49806		FLANGE, 52MM WIDE				
11	531.49819		FLANGE, 46MM WIDE				
12	551.47842		BOOT				
13	561.47824		SPACER, 5MM WIDE				
14	561.47845		LEVER, RECOIL START				
15	561.47848		SPACER, 11MM WIDE				
16	563.49782		KEY				
17	592.47907		CLUTCH, 7HP & 8HP				



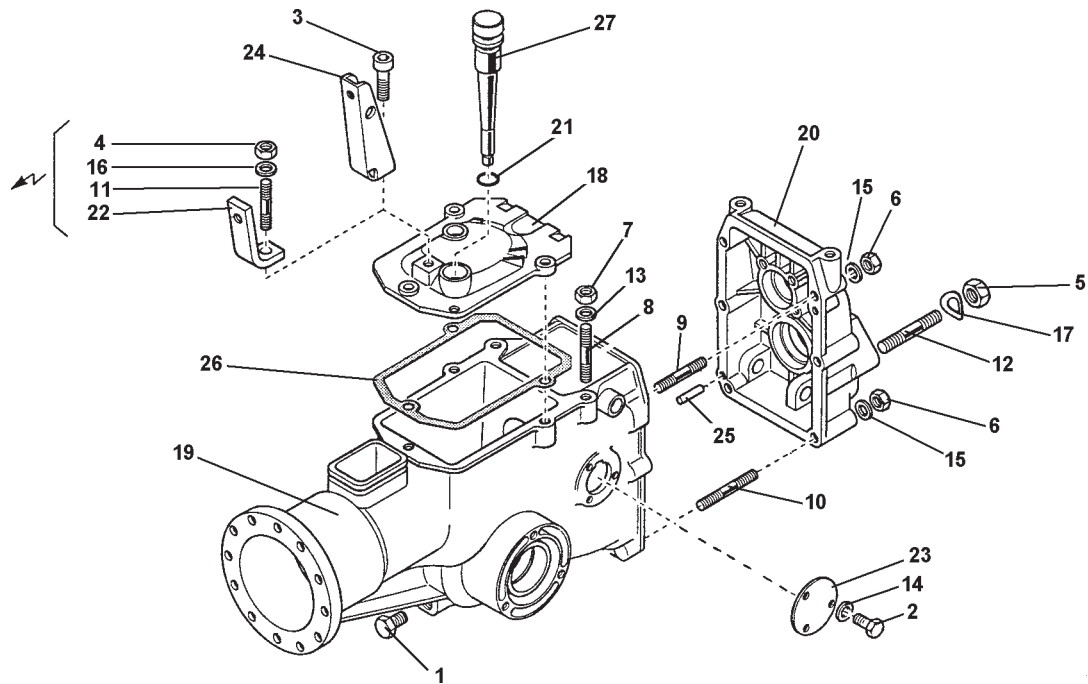
⚠ NEVER DISASSEMBLE THE CLUTCH

ID	PART NO	QTY	DESCRIPTION	ID	PART NO	QTY	DESCRIPTION
1	311.00015		SCREW 3/8X1"				
2	311.00786		SCREW M8X30				
3	312.11080		NUT, M8				
4	313.12088		STUD, M8X40X14X14				
5	314.23084		WASHER, WAVE				
6	314.23105		WASHER, WAVE				
7	371.12173		BEARING, M17X40X12				
8	371.12233		BEARING, 30X55X13				
9	509.47833		CLUTCH LEVER, ELECTRIC STA				
10	524.47896		CONE PUSHER				
11	531.56150		FLANGE, 8HP & 9HP B&S				
12	551.47842		BOOT				
13	561.47845		LEVER, RECOIL START				
14	563.47484		WASHER				
15	563.49782		KEY				
16	592.56253		CLUTCH, 8HP & 9HP B&S				

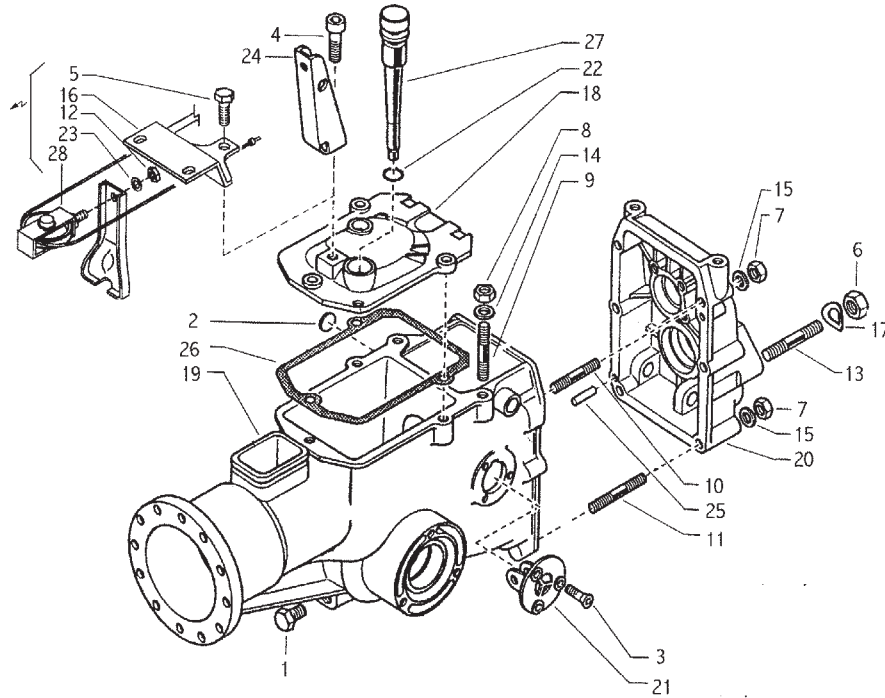


↖ = Electric Start Components

ID	PART NO	QTY	DESCRIPTION	ID	PART NO	QTY	DESCRIPTION
1	311.00015		SCREW 3/8X1"	11	531.56150		FLANGE
2	311.00786		SCREW M8X30	12	551.47842		BOOT, RECOIL START
3	312.11080		NUT, M8	12	551.57609		BOOT, ELECTRIC START
4	313.12088		STUD, M8X40X14X14	13	561.47845		LEVER, RECOIL START
5	314.23084		WASHER, WAVE	14	563.47484		WASHER
6	314.23105		WASHER, WAVE	15	563.49782		KEY
7	371.12173		BEARING, M17X40X12	16	592.56253		CLUTCH, 8.5HP KOHLER CS PRO
8	371.12233		BEARING, 30X55X13				
9	509.56262		CLUTCH LEVER, ELECTRIC STA				
10	524.47896		CONE PUSHER				

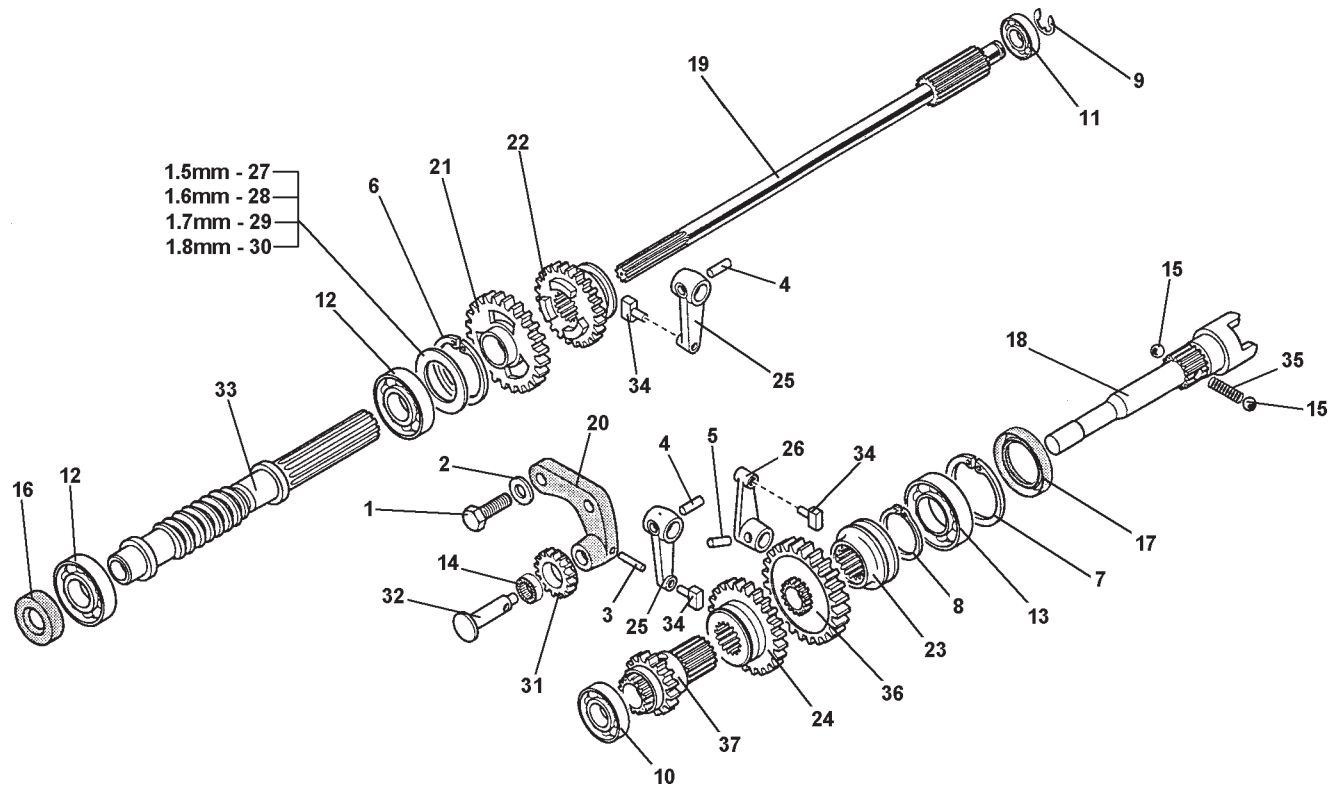


ID	PART NO	QTY	DESCRIPTION	ID	PART NO	QTY	DESCRIPTION
1	300.40001		PLUG	16	314.23105		WASHER M10.4
2	311.11090		SCREW M6X10	17	314.23130		WASHER, LOCK, M13
3	311.52103		SCREW M10X25	18	531.43128		GEARBOX COVER
4	312.11100		NUT, M10	19	531.56325		GEAR BOX CASE
5	312.21121		NUT, M12X1.25	20	531.56332		REAR COVER
6	312.41080		NUT, SELF LOCKING M8	21	551.02678		"O" RING
7	312.41085		NUT	22	561.43878		CLUTCH BRACKET
8	313.12082		STUD M8X38X14X20	23	561.47520		SIDE COVER
9	313.12084		STUD M8X58X16X16	24	561.47923		CLUTCH BRACKET
10	313.12094		STUD M8X68	25	580.43053		PARALLEL PIN
11	313.12101		STUD M10X37	26	580.43117		GASKET, COVER
12	313.12125		STUD M12X1.25X12X64	27	590.15425		CAP WITH DIP STICK
13	314.21083		SUPER WASHER 8				
14	314.22064		WASHER, LOCK 6.4				
15	314.23084		WASHER, LOCK 8.4				

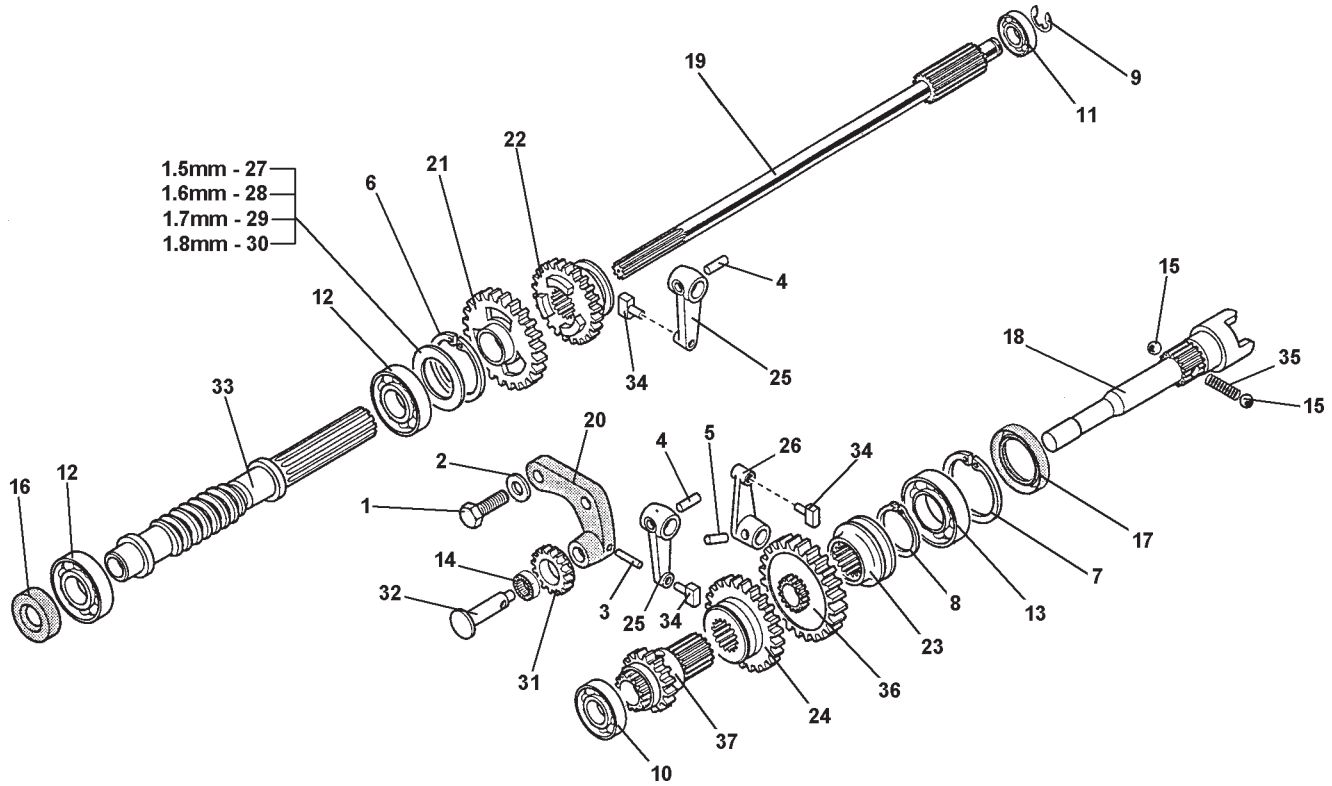


AV = Electric Start Components

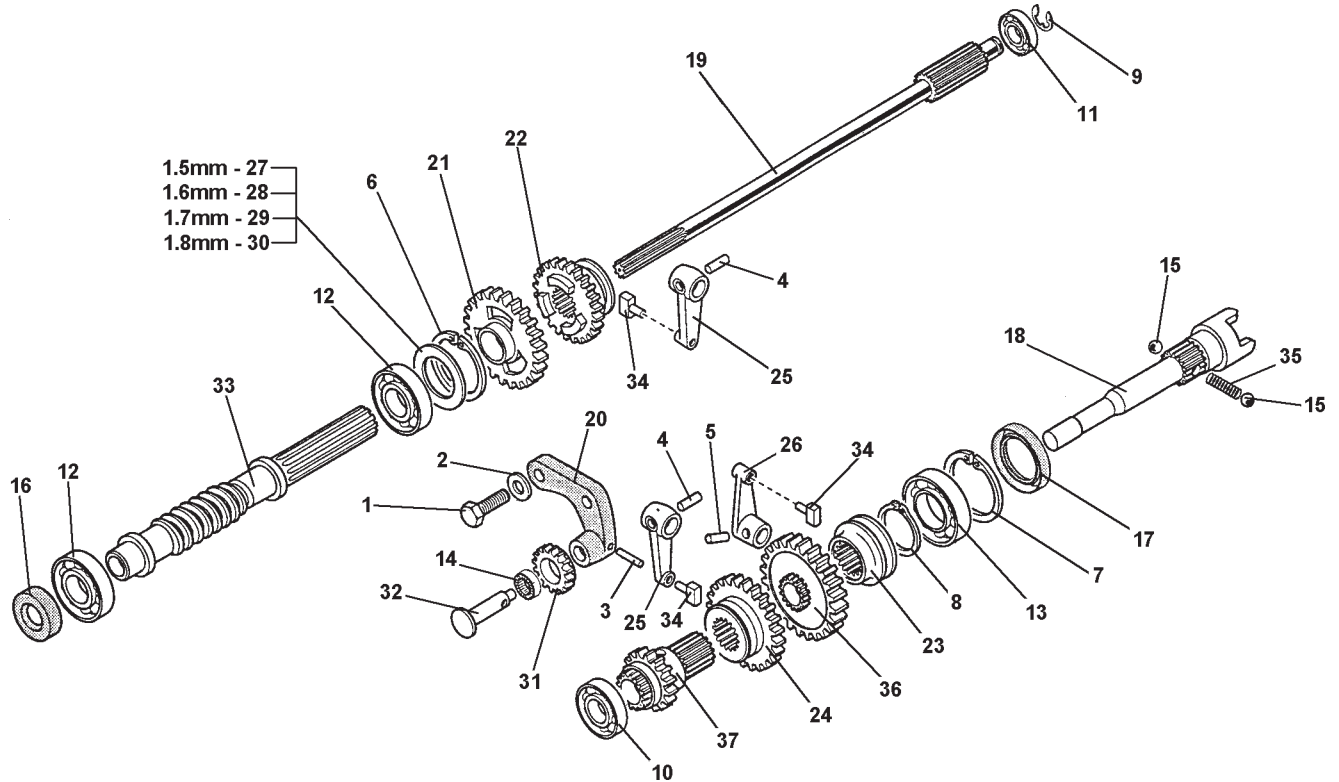
ID	PART NO	QTY	DESCRIPTION	ID	PART NO	QTY	DESCRIPTION
1	300.40001		PLUG	16	561.57394		PLATE
2	300.40133		COVER	17	314.23130		WASHER, LOCK, M13
3	311.32562		SCREW, COUNTER SUNK, M6X16	18	531.43128		GEARBOX COVER
4	311.52103		SCREW M10X25	19	531.56325		GEAR BOX CASE
5	311.12210		BOLT	20	531.56332		REAR COVER
6	312.21121		NUT, M12X1.25	21	531.56343		REVERSER GEAR COVER, 710
7	312.41080		NUT, SELF LOCKING M8	22	551.02678		"O" RING
8	312.41085		NUT	23	314.21083		WASHER
9	313.12082		STUD M8X38X14X20	24	561.47923		CLUTCH BRACKET
10	313.12084		STUD M8X58X16X16	25	580.43053		PARALLEL PIN
11	313.12094		STUD M8X68	26	580.43117		GASKET, COVER
12	312.41080		NUT	27	590.15425		CAP WITH DIP STICK
13	313.12125		STUD M12X1.25X12X64	28	590.56258		PULLEY ASSEMBLY
14	314.21083		SUPER WASHER 8				
15	314.23084		WASHER, LOCK 8.4				



ID	PART NO	QTY	DESCRIPTION	ID	PART NO	QTY	DESCRIPTION
1	311.12211		SCREW, M10X30	21	524.56354		FIRST GEAR
2	314.21101		SUPER WASHER 10	22	524.56358		SLIDER GEAR
3	342.13042		LOCKING PIN, 4X25	23	524.56362		PTO SLIDER
4	342.13060		LOCKING PIN, 6X24	24	524.56370		SLIDER, REVERSER
5	342.13061		LOCKING PIN, 6X20 SPIRAL	25	524.56389		LEVER, SLIDER
6	351.11052		CIRCLIP, INTERNAL	26	524.56390		LEVER, PTO ENGAGMENT
7	351.11055		CIRCLIP, INTERNAL	27	563.56328		SHIM, 1.5MM
8	351.21031		CIRCLIP, EXTERNAL	28	563.56329		SHIM, 1.6MM
9	352.11120		RETAINING RING	29	563.56330		SHIM 1.7MM
10	371.11151		BEARING, 15X35X11	30	563.56331		SHIM 1.8MM
11	371.11152		BEARING, 15X42X13	31	564.56347		REVERSE GEAR
12	371.11255		BEARING, 25X52X15	32	564.56351		PIN, REVERSE GEAR
13	371.12229		BEARING, 30X55X13	33	564.56475		WORM GEAR
14	373.20120		BEARING, 12X15X10	34	580.43086		SHOE
15	379.10832		BALL, 1/4"	35	580.56391		SPRING, PTO BALLS
16	382.11501		OIL SEAL, 15X40X10	36	590.56365		PTO GEAR
17	382.13800		OIL SEAL, 38X55X7	37	590.56380		GEAR
18	524.56335		PTO SHAFT				
19	524.56339		MAIN SHAFT				
20	524.56344		REVERSER BRACKET				



ID	PART NO	QTY	DESCRIPTION	ID	PART NO	QTY	DESCRIPTION
1	311.12211		SCREW, M10X30	21	524.56354		FIRST GEAR
2	314.21101		SUPER WASHER 10	22	524.56358		SLIDER GEAR
3	342.11042		LOCKING PIN, 4X25	23	524.56362		PTO SLIDER
4	342.13060		LOCKING PIN, 6X24	24	524.56370		SLIDER, REVERSER
5	342.13061		LOCKING PIN, 6X20 SPIRAL	25	524.56389		LEVER, SLIDER
6	351.11052		CIRCLIP, INTERNAL	26	524.56390		LEVER, PTO ENGAGEMENT
7	351.11055		CIRCLIP, INTERNAL	27	563.56328		SHIM, 1.5MM
8	351.21031		CIRCLIP, EXTERNAL	28	563.56329		SHIM, 1.6MM
9	352.11120		RETAINING RING	29	563.56330		SHIM 1.7MM
10	371.11151		BEARING, 15X35X11	30	563.56331		SHIM 1.8MM
11	371.11152		BEARING, 15X42X13	31	564.56347		REVERSE GEAR
12	371.11255		BEARING, 25X52X15	32	564.56351		PIN, REVERSE GEAR
13	371.12229		BEARING, 30X55X13	33	564.56475		WORM GEAR
14	373.20120		BEARING, 12X15X10	34	580.43086		SHOE
15	379.10832		BALL, 1/4"	35	580.56391		SPRING, PTO BALLS
16	382.11500		OIL SEAL, 15X28X7	36	590.56365		PTO GEAR
17	382.13800		OIL SEAL, 38X55X7	37	590.56380		GEAR
18	524.56335		PTO SHAFT				
19	524.56339		MAIN SHAFT				
20	524.56344		REVERSER BRACKET				



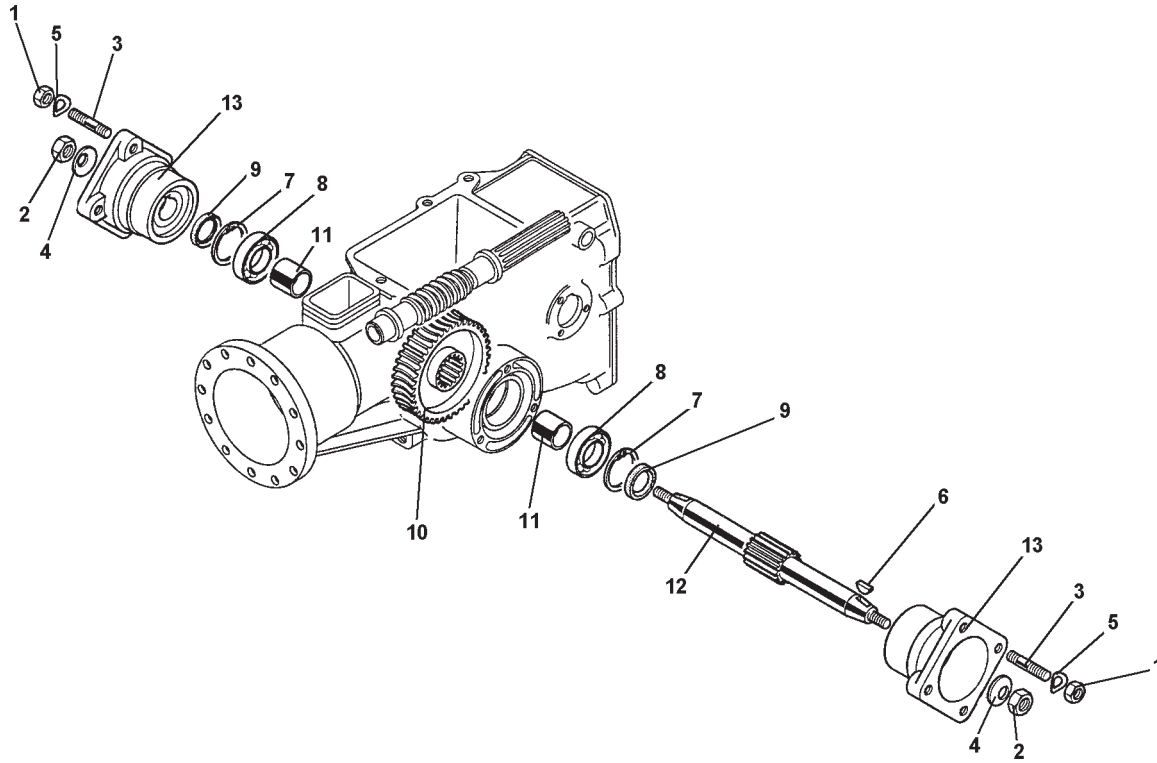
ID	PART NO	QTY	DESCRIPTION	ID	PART NO	QTY	DESCRIPTION
1	311.12211		SCREW, M10X30	21	524.56354		FIRST GEAR
2	314.21101		SUPER WASHER 10	22	524.56361		SLIDER GEAR
3	342.11042		LOCKING PIN, 4X25	23	524.56362		PTO SLIDER
4	342.13060		LOCKING PIN, 6X24	24	524.56370		SLIDER, REVERSER
5	342.13061		LOCKING PIN, 6X20 SPIRAL	25	524.56389		LEVER, SLIDER
6	351.11052		CIRCLIP, INTERNAL	26	524.56390		LEVER, PTO ENGAGEMENT
7	351.11055		CIRCLIP, INTERNAL	27	563.56328		SHIM, 1.5MM
8	351.21031		CIRCLIP, EXTERNAL	28	563.56329		SHIM, 1.6MM
9	352.11120		RETAINING RING	29	563.56330		SHIM 1.7MM
10	371.11151		BEARING, 15X35X11	30	563.56331		SHIM 1.8MM
11	371.11152		BEARING, 15X42X13	31	564.56347		REVERSE GEAR
12	371.11255		BEARING, 25X52X15	32	564.56351		PIN, REVERSE GEAR
13	371.12229		BEARING, 30X55X13	33	564.56475		WORM GEAR
14	373.20120		BEARING, 12X15X10	34	580.43086		SHOE
15	379.10832		BALL, 1/4"	35	580.56391		SPRING, PTO BALLS
16	382.11500		OIL SEAL, 15X28X7	36	590.56365		PTO GEAR
17	382.13800		OIL SEAL, 38X55X7	37	590.56384		GEAR
18	524.56335		PTO SHAFT				
19	524.56339		MAIN SHAFT				
20	524.56344		REVERSER BRACKET				

730

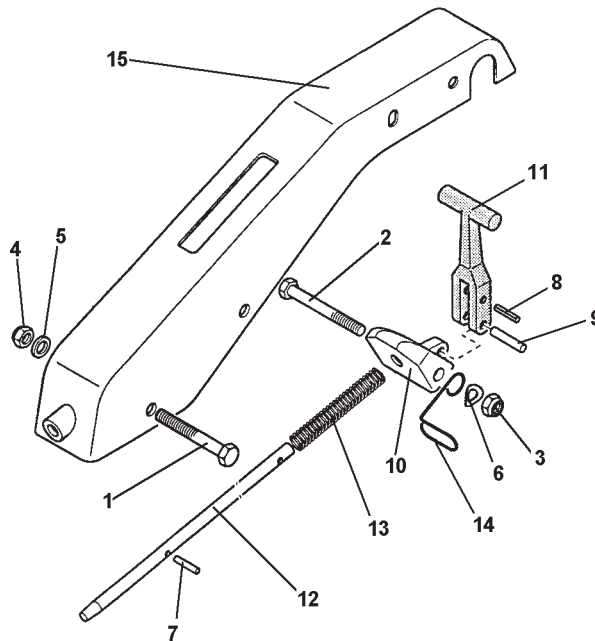
Wheel Axle

Serial Number Range
100000 - -----

05.00



ID	PART NO	QTY	DESCRIPTION	ID	PART NO	QTY	DESCRIPTION
1	312.11100		NUT, M10	11	561.43059		SPACER
2	312.41120		NUT, SELF LOCKING M12	12	563.43058		WHEEL SHAFT
3	313.12102		STUD, M10X40X22X14	13	590.43063		HUB, WHEEL WITH STUDS
4	314.21130		SUPER WASHER, 12				
5	314.23105		WASHER, LOCK 10.5				
6	343.11060		KEY 6X10				
7	351.11052		CIRCLIP, INTERNAL				
8	371.11255		BEARING 25X52X15				
9	382.12501		OIL SEAL, 25X52X10				
10	541.43090		GEAR				



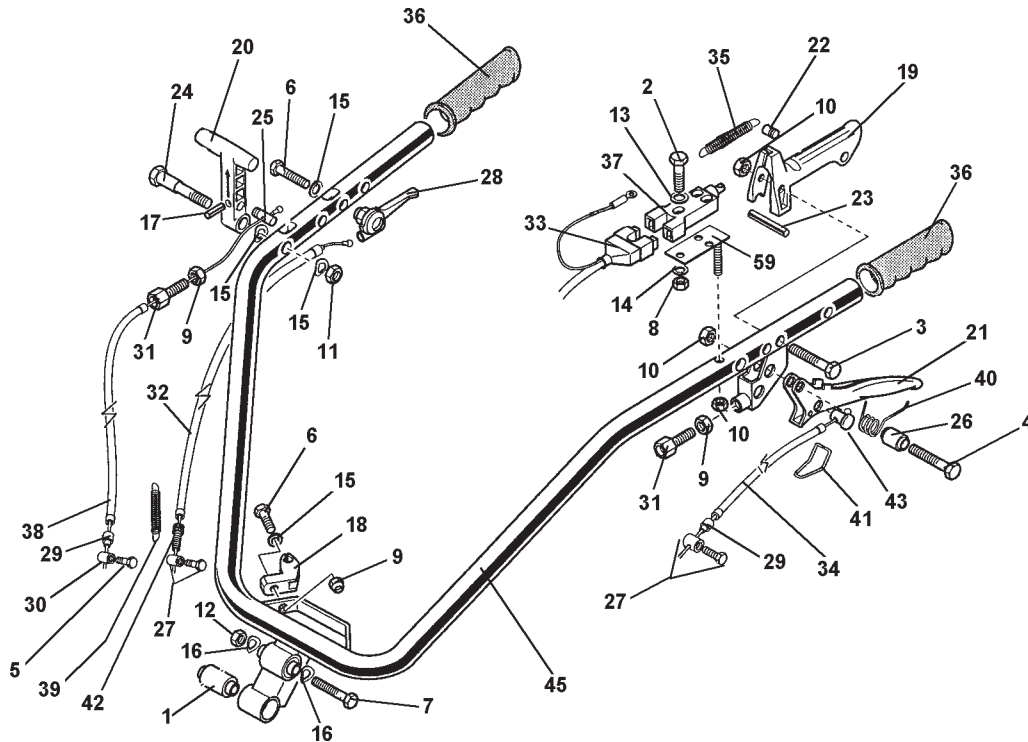
ID	PART NO	QTY	DESCRIPTION	ID	PART NO	QTY	DESCRIPTION
1	311.12294		SCREW, M12X85	11	552.51688		ADJUSTING LEVER
2	311.13210		SCREW, M10X80	12	563.51685		HANDLEBAR POSITION ROD
3	312.41100		NUT, SELF LOCKING, M10	13	580.42219		SPRING, ROD
4	312.41120		NUT, SELF LOCKING, M12	14	580.57266		CABLE GUIDE
5	314.21130		WASHER, M10.4	15	590.51682		STEERING COLMUN
6	314.23105		WASHER, LOCKING, M13				
7	342.11028		PIN, LOCKING				
8	342.11041		PIN, LOCKING, M4X35				
9	342.21070		PIN, LOCKING				
10	552.51686		SUPPORT, RD				

730

Handlebar

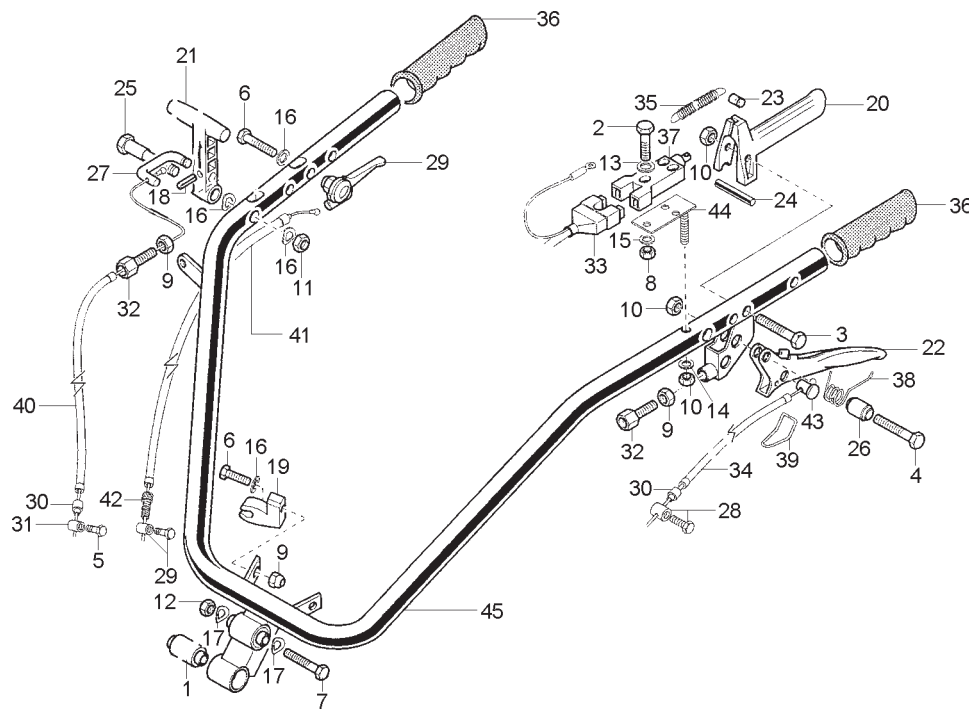
Serial Number Range
100 00 - 109018

07.00



18- REPLACED BY 552.43338 FOR USE ON UNITS WITH REAR ATTACHMENTS ONLY

ID	PART NO	QTY	DESCRIPTION	ID	PART NO	QTY	DESCRIPTION
1	300.10103		SILENTBLOCK	26	561.50361		LEVER SPACER
2	311.11086		SCREW TE M4X25	27	580.02429		CLAMP, CABLE
3	311.11097		SCREW, TE M6X45	28	580.02538		THROTTLELEVER
4	311.12089		SCREW, M6X25	29	580.42167		CABLE END
5	311.12090		SCREW, TE M6X16	30	580.42200		PIN, CABLE CLAMP
6	311.12153		SCREW, M8X35	31	580.42202		SCREW, ADJUSTING, M8
7	311.13210		SCREW, M10X80	32	580.42486		THROTTLE CABLE
8	312.11040		NUT, M4	33	580.47568		SWITCH WIRING HARNESS
9	312.11080		NUT, M8	34	580.47629		CLUTCH CABLE
10	312.41060		NUT, SELF LOCKING M6	35	580.47712		SPRING
11	312.41080		NUT, M8	36	580.48000		GRIP
12	312.41100		NUT, M10	37	580.48009		STOP SWITCH
13	314.11043		FLAT WASHER, M4.3	38	580.49670		REVERSER CABLE
14	314.23043		LOCK WASHER M4.3	39	580.49786		SPRING
15	314.23084		LOCK WASHER, M8.3	40	580.50345		LEVER SPRING
16	314.23105		WAVE WASHER, M10.4	41	580.51670		HOOK
17	342.13020		PIN, LOCKING	42	581.47704		CABLE ADJUSTER
18	552.43340		SUPPORT, CONTROL ROD	43	581.50313		BARREL
19	552.48041		MOTOR STOP LEVER	44	590.47709		SWITCH PLATE
20	552.48283		REVERSER LEVER	45	590.57104		HANDLE BAR
21	561.47655		CLUTCH LEVER				
22	561.47711		SPRING PIN				
23	561.48037		LEVER STOP FOR MOTOR STOP				
24	561.48285		SCREW				
25	561.48286		DRILLED PIN				



19- REPLACED BY 552.43338 FOR USE ON UNITS WITH REAR ATTACHMENTS ONLY

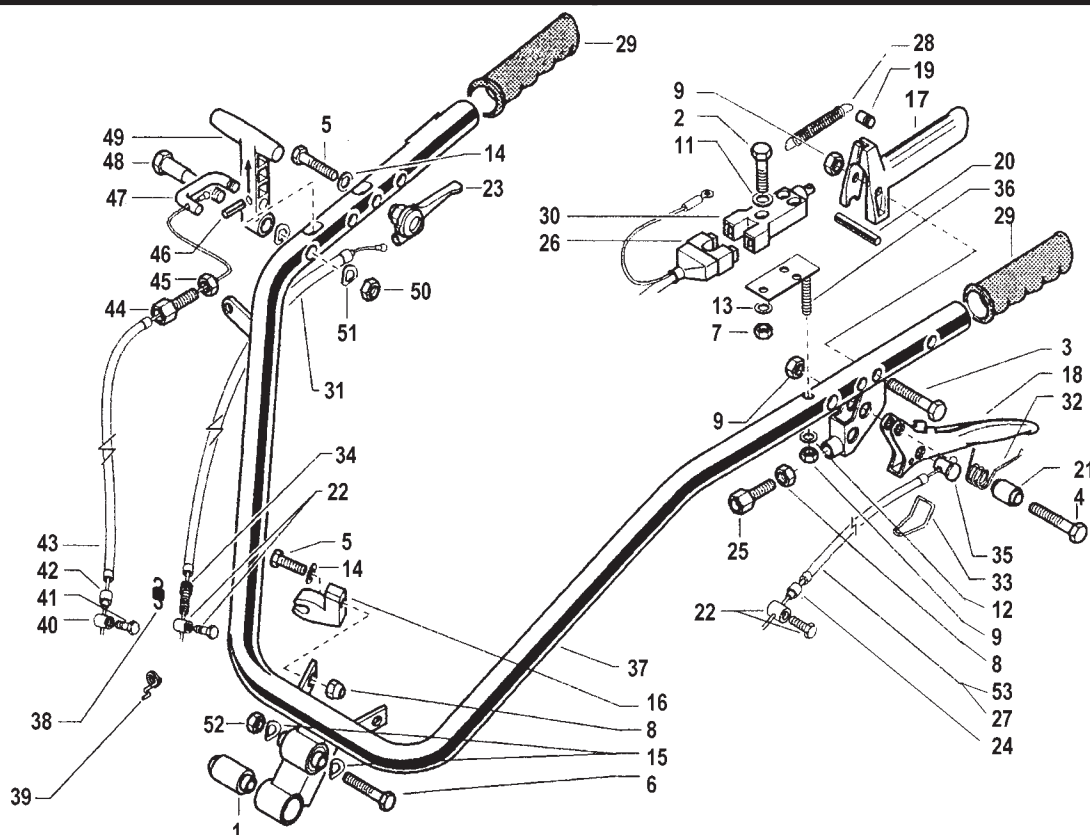
ID	PART NO	QTY	DESCRIPTION	ID	PART NO	QTY	DESCRIPTION
1	300.10103		SILENTBLOCK	26	561.50361		LEVER SPACER
2	311.11086		SCREW TE M4X25	27	561.57332		PIVOT, PIN
3	311.11097		SCREW, TE M6X45	28	580.02429		CLAMP, CABLE
4	311.12089		SCREW, M6X25	29	580.02538		THROTTLE LEVER
5	311.12090		SCREW, TE M6X16	30	580.42167		CABLE END
6	311.12153		SCREW, M8X35	31	580.42200		PIN, CABLE CLAMP
7	311.13210		SCREW, M10X80	32	580.42202		SCREW, ADJUSTING, M8
8	312.11040		NUT, M4	33	580.47568		SWITCH WIRING HARNESS
9	312.11080		NUT, M8	34	580.47629		CLUTCH CABLE
10	312.41060		NUT, SELF LOCKING M6	35	580.47712		SPRING
11	312.41080		NUT, M8	36	580.48000		GRIP
12	312.41100		NUT, M10	37	580.48009		STOP SWITCH
13	314.11043		FLAT WASHER, M4.3	38	580.50345		LEVER SPRING
14	314.11064		WASHER, FLAT 6.4	39	580.51670		HOOK
15	314.23043		LOCK WASHER, M4.3	40	580.57286		REVERSER CABLE
16	314.23084		WASHER, M8.4	41	580.57335		THROTTLE CABLE
17	314.23105		WAVE WASHER, M10.4	42	581.47704		CABLE ADJUSTER
18	342.13020		PIN, LOCKING	43	581.50313		BARREL
19	552.43340		SUPPORT, CONTROL ROD	44	590.47709		SWITCH PLATE
20	552.48041		MOTOR STOP LEVER				
21	552.48283		REVERSER LEVER				
22	561.47655		CLUTCH LEVER				
23	561.47711		SPRING PIN				
24	561.48037		LEVER STOP FOR MOTOR STOP				
25	56148285		SCREW				

730

Handlebar 8.5HP KOHLER CS PRO

Serial Number Range
124664 - -----

07.02



16- REPLACED BY 552.43338 FOR USE ON UNITS WITH REAR ATTACHMENTS ONLY

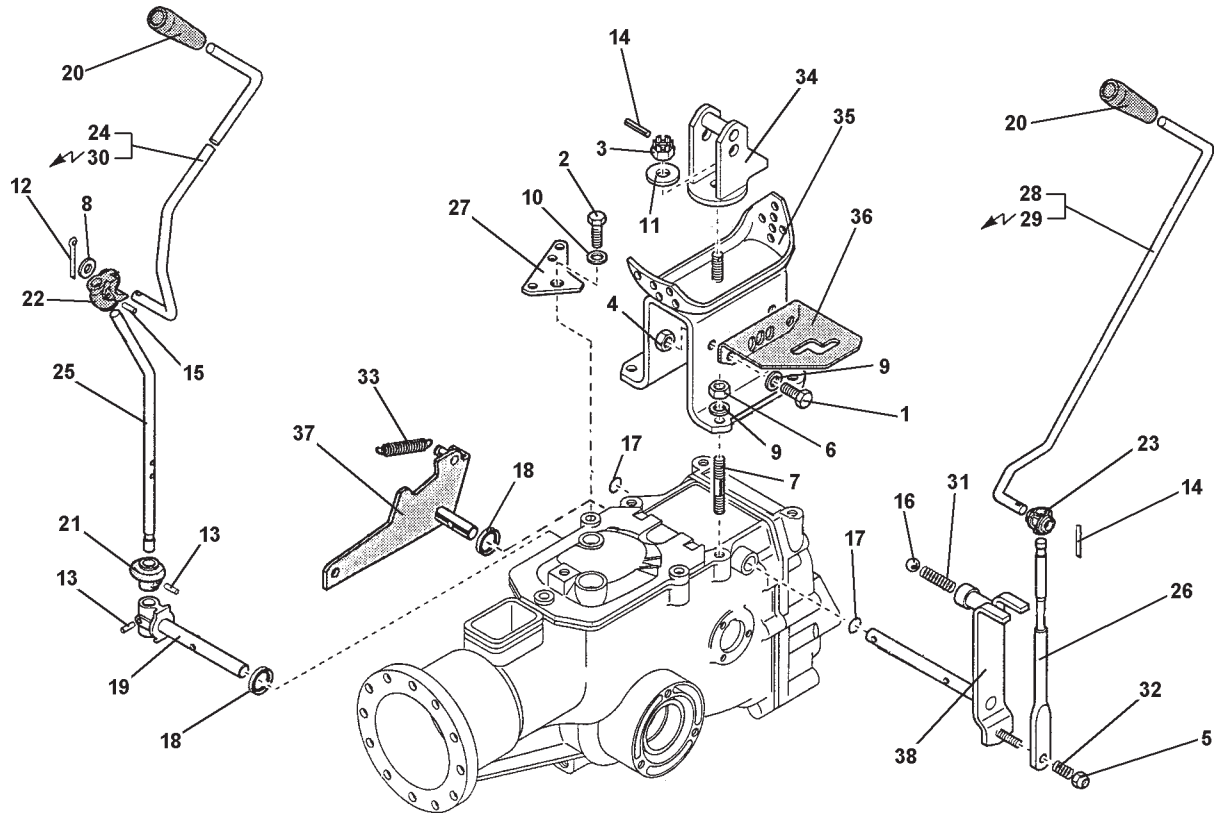
ID	PART NO	QTY	DESCRIPTION	ID	PART NO	QTY	DESCRIPTION
1	300.10103		SILENTBLOCK	28	580.47712		SPRING
2	311.11086		SCREW TE M4X25	29	580.48000		GRIP
3	311.11097		SCREW, TE M6X45	30	580.48009		STOP SWITCH
4	311.12089		SCREW, M6X25	31	580.57335		THROTTLE CABLE
5	311.12153		SCREW, M8X35	32	580.50345		LEVER SPRING
6	311.12217		SCREW, M10X80	33	580.51670		HOOK
7	312.11040		NUT, M4	34	580.48002		CABLE ADJUSTER
8	312.41080		NUT, M8	35	581.50313		BARREL
9	312.41060		NUT, SELF LOCKING M6	36	590.47709		SWITCH PLATE
10	312.41100		NUT, M10	37	590.57110		HANDLE BAR
11	314.11043		FLAT WASHER, M4.3	38	580.56153		SPRING
12	314.11064		WASHER, FLAT 6.4	39	580.56158		SPRING
13	314.23043		LOCK WASHER, M4.3	40	580.42200		CABLE CLAMP PIN
14	314.23084		WASHER, M8.4	41	311.11091		CAPSCREW M6X14
15	314.23105		WAVE WASHER, M10.4	42	580.42167		SHEATH END
16	552.43340		SUPPORT, CONTROL ROD	43	580.57286		REVERSER CABLE
17	552.48041		MOTOR STOP LEVER	44	580.42202		ADJUSTING SCREW
18	561.47655		CLUTCH LEVER	45	312.11080		NUT M8
19	561.47711		SPRING PIN	46	342.13020		SPLIT PIN 4X20
20	561.48037		LEVER STOP FOR MOTOR STOP	47	561.57332		PIN, REVERSER CABLE
21	561.50361		LEVER SPACER	48	561.48285		PIN
22	580.48002		CLAMP, CABLE	49	552.48283		LEVER, REVERSER
23	580.02538		THROTTLE LEVER	50	312.41080		NUT, SELF LOCKING M8
24	580.42167		CABLE END	51	314.23084		WASHER LOCK
25	580.42202		SCREW, ADJUSTING, M8	52	312.41100		NUT, SELF LOCKING M10
26	580.47568		SWITCH WIRING HARNESS	53	580.53035		CABLE, CLUTCH ELECTRIC START
27	580.47629		CLUTCH CABLE				

730

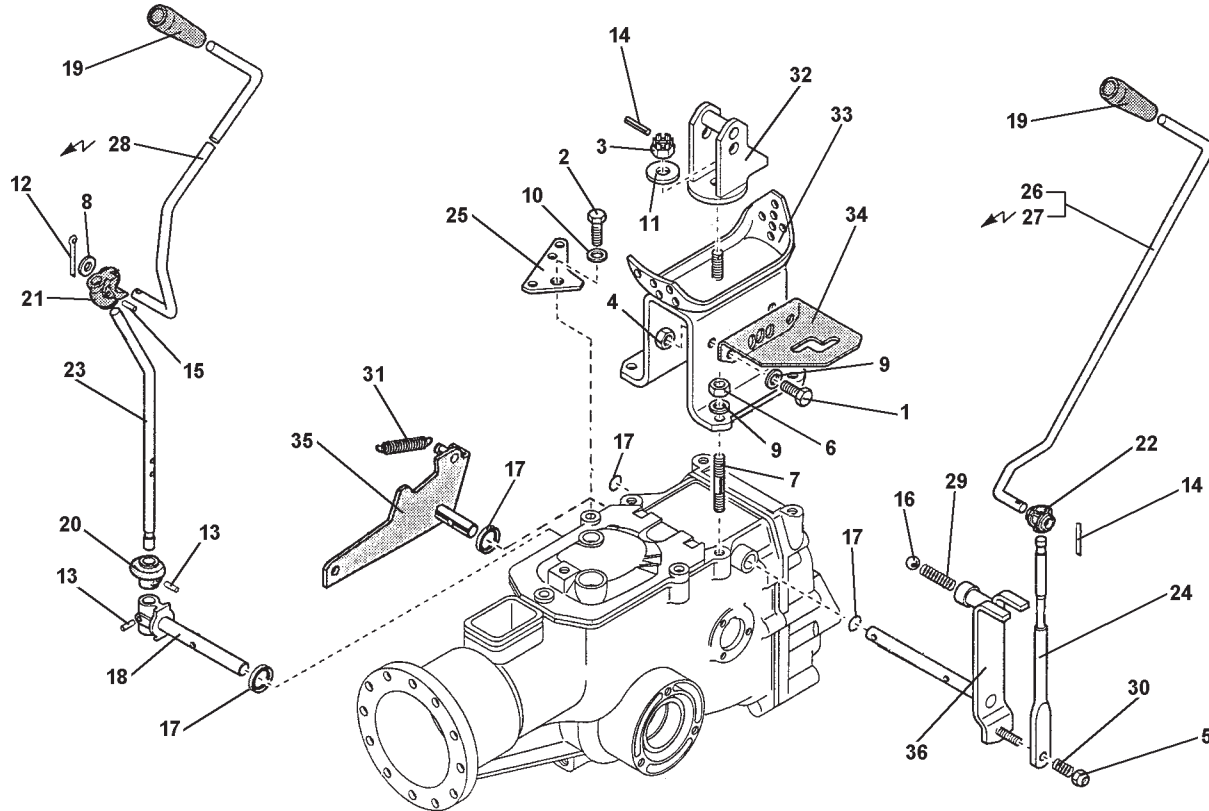
Controls

Serial Number Range
100000 - 108089

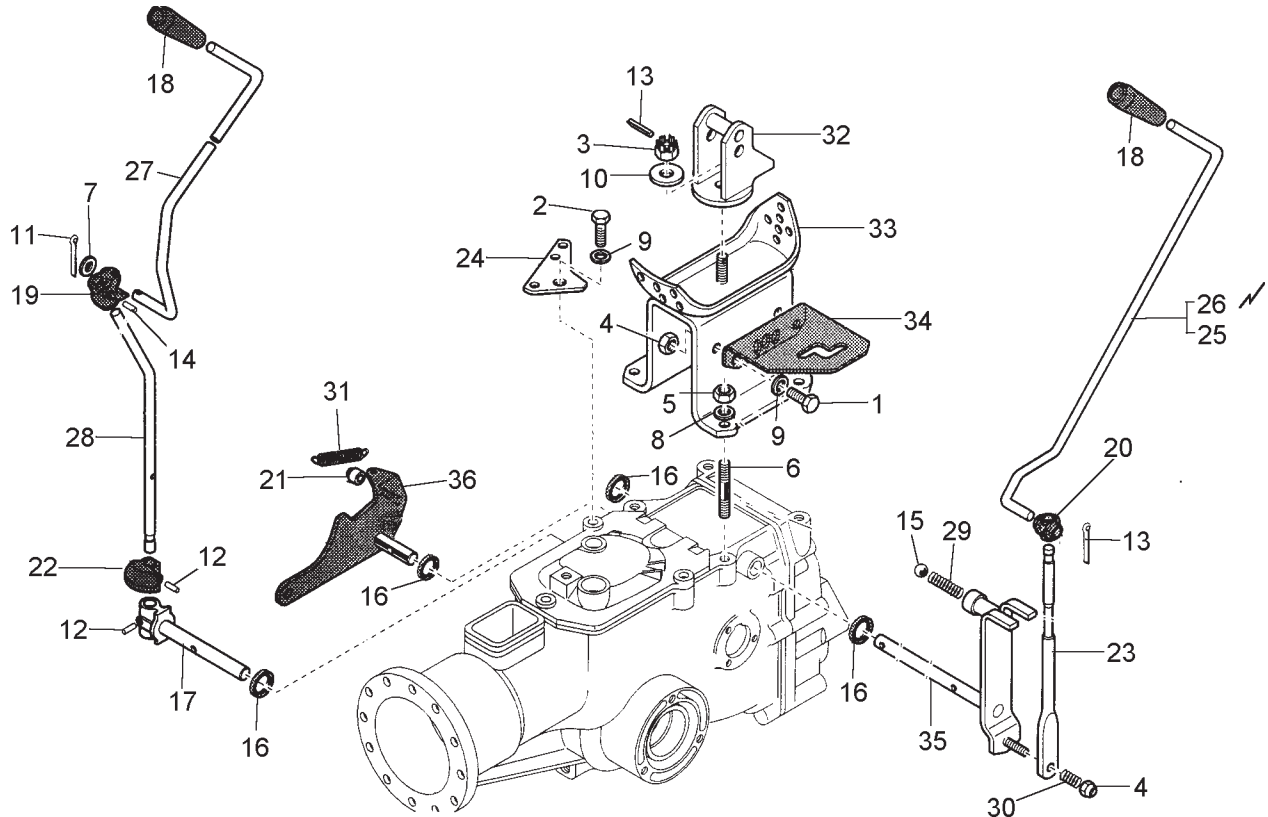
08.00



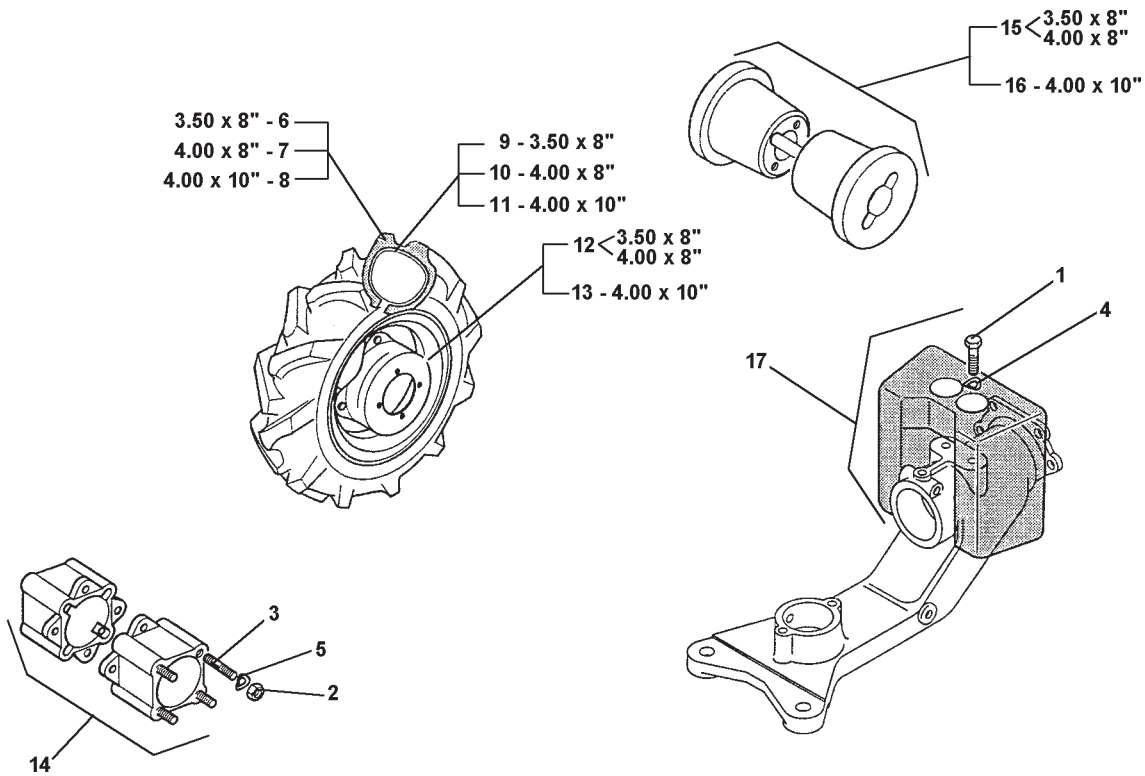
ID	PART NO	QTY	DESCRIPTION	ID	PART NO	QTY	DESCRIPTION
1	311.12150		SCREW, M8X20	21	552.48378		PTO STOP RING
2	311.12152		SCREW, M8X30	22	552.48379		PTO ARTICULATION
3	312.01212		NUT, CASTLE, M12	23	552.57249		SPEED ARTICULATION, 716,720,730
4	312.11080		NUT, M8	24	561.49655		PTO CONTROL ROD, RECOIL
5	312.41080		NUT, SELF LOCKING, M8	25	561.57260		PTO CONTROL LEVER
6	312.41085		NUT, M8	26	561.57271		SPEED CONTROL LEVER
7	313.12082		STUD, M8X38X14X20	27	561.57274		REVERSE BRACKET
8	314.11104		WASHER, M10.5	28	561.57275		SPEED CONTROL ROD, RECOIL
9	314.21083		SUPER WASHER	29	561.57276		SPEED CONTROL ROD, ELECTRIC
10	314.23084		WASHER, LOCK, M8.4	30	561.57282		PTO CONTROL ROD, ELECTRIC
11	314.23130		LOCK WASHER, M13	31	580.43176		SPRING
12	341.10028		COTTERPIN	32	580.57232		SPRING
13	342.13020		PIN, LOCKING, M4X20	33	580.57273		SPRING
14	342.13022		PIN, LOCKING, M3X22	34	590.56900		HANDLE BAR SUPPORT
15	342.13024		PIN, LOCKING, M4X24	35	590.56905		HANDLE BAR ANCHOR
16	379.11532		BALL, 15/32"	36	590.57231		GEAR SELECTOR, 716, 720, 730
17	382.02502		OIL SEAL, 14X18X2.5	37	590.57268		REVERSE LEVER
18	382.11400		OIL SEAL, 14X22X4	38	590.57304		SPEED CONTROL LEVER
19	523.57250		PTO SHAFT				
20	551.42076		KNOB				



ID	PART NO	QTY	DESCRIPTION	ID	PART NO	QTY	DESCRIPTION
1	311.12150		SCREW, M8X20	21	552.48379		PTOARTICULATION
2	311.12152		SCREW, M8X30	22	552.57249		SPEEDARTICULATION
3	312.01212		NUT, CASTLE, M12	23	561.57260		PTO CONTROL LEVER
4	312.11080		NUT, M8	24	561.57271		SPEED CONTROL LEVER
5	312.41080		NUT, SELF LOCKING, M8	25	561.57274		REVERSE BRACKET
6	312.41085		NUT, M8	26	561.57275		SPEED CONTROL ROD, RECOIL
7	313.12082		STUD, M8X38X14X20	27	561.57276		SPEED CONTROL ROD, ELECTRIC
8	314.11104		WASHER, M10.5	28	561.57282		PTO CONTROL ROD
9	314.21083		SUPER WASHER	29	580.43176		SPRING
10	314.23084		WASHER, LOCK, M8.4	30	580.57232		SPRING
11	314.23130		LOCK WASHER, M13	31	580.57273		SPRING
12	341.10028		COTTERPIN	32	590.56900		HANDLE BAR SUPPORT
13	342.13020		PIN, LOCKING, M4X20	33	590.56905		HANDLE BAR ANCHOR
14	342.13022		PIN, LOCKING, M3X22	34	590.57231		GEAR SELECTOR, 716, 720, 730
15	342.13024		PIN, LOCKING, M4X24	35	590.57268		REVERSE LEVER
16	379.11532		BALL, 15/32"	36	590.57304		SPEED CONTROL LEVER
17	382.11400		OIL SEAL, 14X22X4				
18	523.57250		PTO SHAFT				
19	551.42076		KNOB				
20	552.48378		PTO STOP RING				



ID	PART NO	QTY	DESCRIPTION	ID	PART NO	QTY	DESCRIPTION
1	311.12150		SCREW, M8X20	21	552.57313		PTO LOCKOUT RING
2	311.12152		SCREW, M8X30	22	552.57321		PTO STOP RING
3	312.01212		NUT, CASTLE, M12	23	561.57271		SPEED CONTROL LEVER
4	312.41080		NUT, SELF LOCKING, M8	24	561.57274		REVERSE BRACKET
5	312.41085		NUT, M8	25	561.57275		SPEED CONTROL ROD, RECOIL
6	313.12082		STUD, M8X38X14X20	26	561.57276		SPEED CONTROL ROD, ELECTRIC
7	314.11104		WASHER, M10.5	27	561.57282		PTO CONTROL ROD
8	314.21083		SUPER WASHER	28	561.57323		PTO CONTROL LEVER
9	314.23084		WASHER, LOCK, M8.4	29	580.43176		SPRING
10	314.23130		LOCK WASHER, M13	30	580.57232		SPRING
11	341.10028		COTTERPIN	31	580.57273		SPRING
12	342.13020		PIN, LOCKING, M4X20	32	590.56900		HANDLE BAR SUPPORT
13	342.13022		PIN, LOCKING, M3X22	33	590.56905		HANDLE BAR ANCHOR
14	342.13024		PIN, LOCKING, M4X24	34	590.57231		GEAR SELECTOR, 716, 720, 730
15	379.11532		BALL, 15/32"	35	590.57304		SPEED CONTROL LEVER,
16	382.11400		OIL SEAL, 14X22X4	36	590.57319		REVERSE LEVER
17	523.57250		PTO SHAFT				
18	551.42076		KNOB				
19	552.48379		PTO ARTICULATION				
20	552.57249		SPEED ARTICULATION				



ID	PART NO	QTY	DESCRIPTION	ID	PART NO	QTY	DESCRIPTION
1	311.12151		SCREW, M8X25	11	394.14010		TUBE 4.00X10"
2	312.11100		NUT, M10	12	580.43250		WHEEL DISC, 3.50X8" & 4.00X8"
3	313.12102		STUD, M10X40X22X14	13	580.48330		RIM, 4.00X10"
4	314.23084		WASHER, M8.4	14	922.43685		WHEEL SPACERS, FIXED
5	314.23105		WASHER, LOCK, 10.5	15	922.43686		WHEEL WEIGHTS 48#
6	391.13502		TIRE 3.50X8" TRACTOR	16	922.48715		WHEEL WEIGHTS 66#
7	391.14008		TIRE 4.00X8" TRACTOR	17	922.48923		CUTTERBAR WEIGHT, 26#
8	391.14010		TIRE 4.00X10" TRACTOR				
9	394.13502		TUBE 3.50X8"				
10	394.14008		TUBE 4.00X8"				