



---

A M E R I C A

---

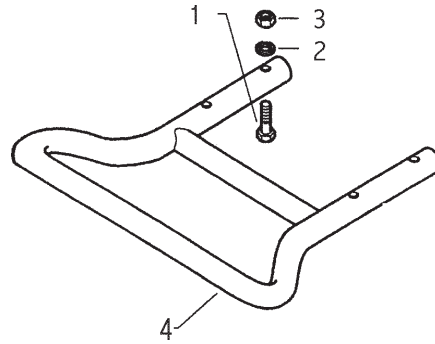
# 710GX

## Bumper HONDA GX8

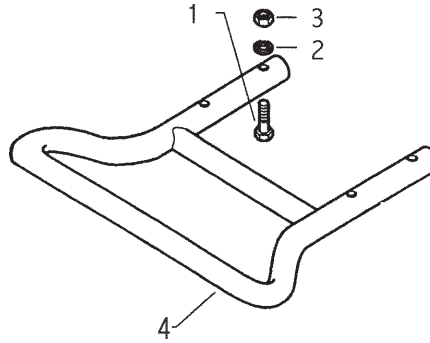
## Serial Number Range ALL

# 01.00

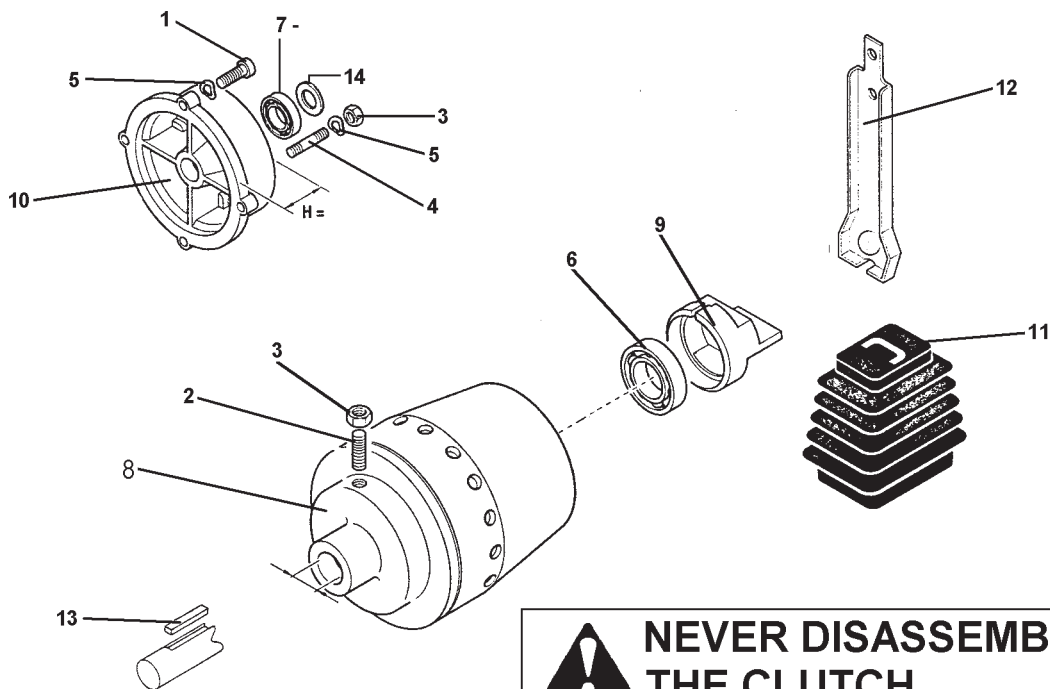
REVISED 05/04/10



ID	PART NO	DESCRIPTION	DENOMINACION	NOTES
1	311.12156	SCREW, M8X60	TORNILLO M8X60	
2	314.11084	FLAT WASHER, M8.4	AUANDELA PLANA 8.4	
3	312.41080	NUT, SELF LOCKING, M8	TUERCA AUTOBLOC. M8	
4A	590.56053	BUMBER, LOOP	PROTECTION POLEA	HONDA 8HP
4B	922.56100	BUMBER, WRAP AROUND	PROTECTION POLEA	HONDA 8HP (NOT ILLUSTRATED)

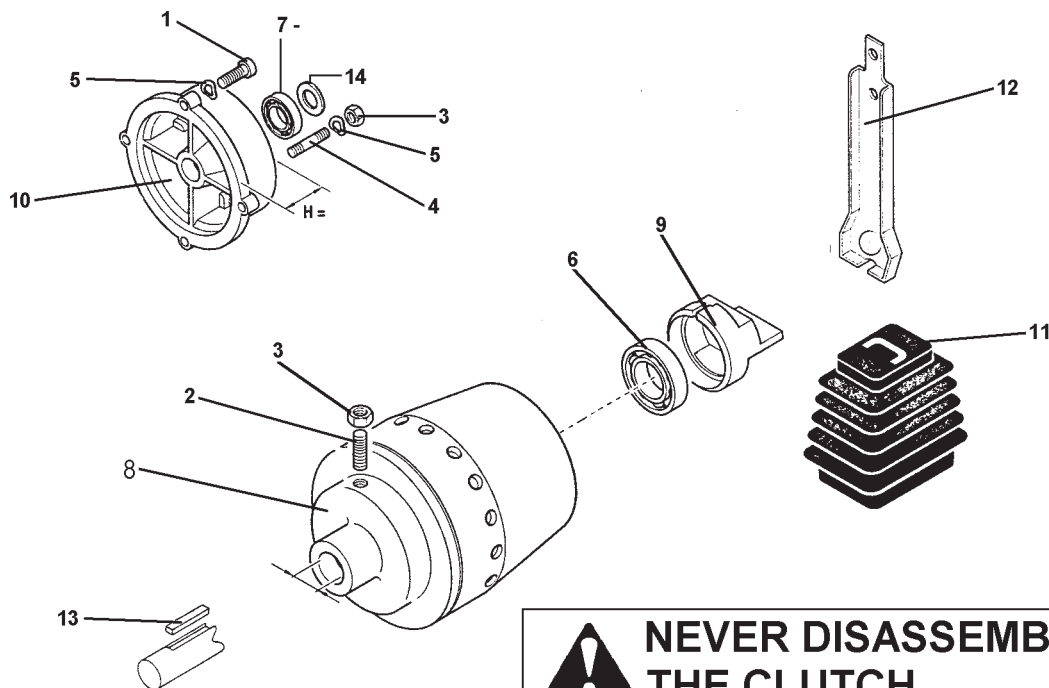


ID	PART NO	DESCRIPTION	DENOMINACION	NOTES
1	311.12156	SCREW, M8X60	TORNILLO M8X60	
2	314.11084	FLAT WASHER, M8.4	AUANDELA PLANA 8.4	
3	312.41080	NUT, SELF LOCKING, M8	TUERCA AUTOBLOC. M8	
4A	590.56067	BUMBER, LOOP	PROTECTION POLEA	HONDA 5.5HP
4B	922.56099	BUMBER, WRAP AROUND	PROTECTION POLEA	HONDA 5.5HP (NOT ILLUSTRATED)

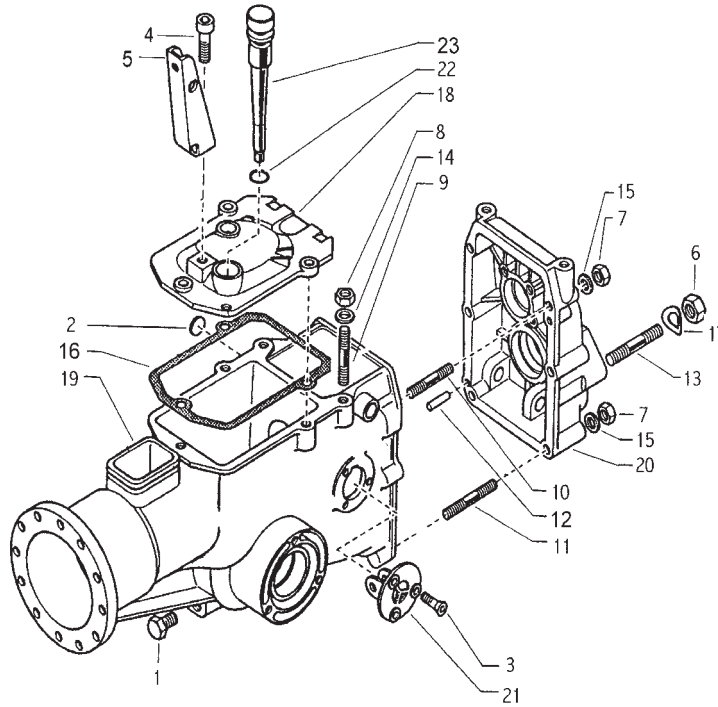


**⚠ NEVER DISASSEMBLE THE CLUTCH**

ID	PART NO	DESCRIPTION	DENOMINACION	NOTES
1	311.00015	SCREW 3/8X1"	TORNILLO 3/8X1"	
2	311.00786	SCREW M8X30	TORNILLO M8X30	
3	312.11080	NUT, M8	TUERCA, M8	
4	313.12088	STUD, M8X40X14X14	PRISIONERO, M8X40X14X14	
5	314.23084	WASHER, WAVE	ARANDELA	
6	371.12173	BEARING, M17X40X12	COJINETE, M17X40X12	
7	371.12233	BEARING, 30X55X13	COJINETE 30X55X13	
8	592.56253	CLUTCH, 8HP HONDA	EMBRAGUE A CONICO, 8HPHONDA	(INCLUDES 6 & 9)
9	524.47896	CONE PUSHER	EMPUJADOR CONO	
10	531.56150	FLANGE, 8HP HONDA	BRIDA PARA MOTOR, 8HP HONDA	(INCLUDES 6 & 9)
11	551.47842	BOOT	FUELLE	
12	561.47845	LEVER, RECOIL START	PALANCA EMBRAGUE	
13	563.49782	KEY	LINGUETA	
14	563.47484	WASHER	ARANDELA	



ID	PART NO	DESCRIPTION	DENOMINACION	NOTES
1	311.00003	SCREW 5/16X7/8"	TORNILLO 5/16X7/8"	INCLUDE 6 & 9
2	311.00786	SCREW M8X30	TORNILLO M8X30	
3	312.11080	NUT, M8	TUERCA, M8	
4	313.12088	STUD, M8X40X14X14	PRISIONERO, M8X40X14X14	
5	314.23084	WASHER, WAVE	ARANDELA	
6	371.12173	BEARING, M17X40X12	COJINETE, M17X40X12	
7	371.12231	BEARING, M20X47X14	COJINETE 30X55X13	
8	592.56252	CLUTCH, GX160	EMBRAGUE A CONICO,	
9	524.47896	CONE PUSHER	EMPUJADOR CONO	
10	532.47468	FLANGE	BRIDA PARA MOTOR,	
11	551.57609	BOOT, ELECTRIC START	FUELLE	
12	561.47845	CLUTCH LEVER, RECOIL START	PALANCA EMBRAGUE	
13	563.49782	KEY	LINGUETA	
14	563.56251	WASHER	ARANDELA	



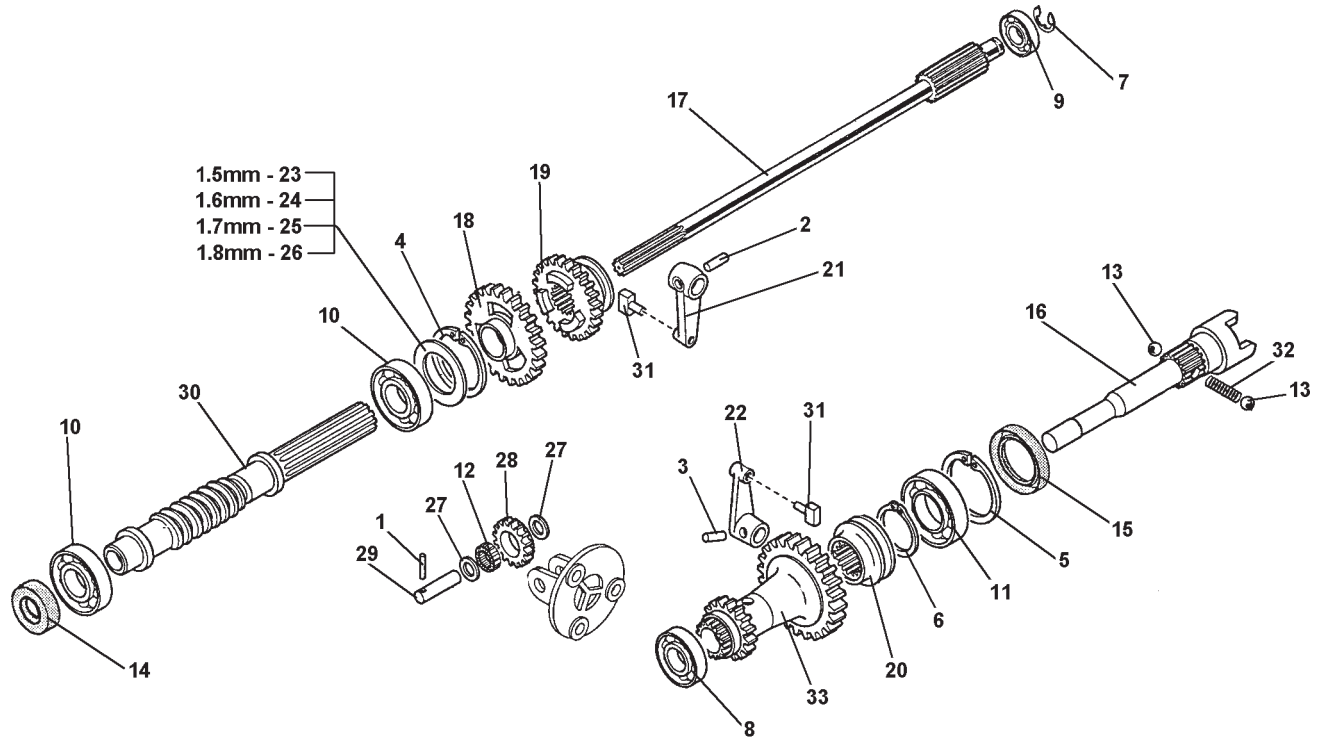
ID	PART NO	DESCRIPTION	DENOMINACION	NOTES
1	300.40001	PLUG	TAPON	
2	300.40133	COVER	TAPA	
3	311.32562	SCREW, COUNTER SUNK, M6X16	TORNILLO ,6X16	
4	311.52103	SCREW M10X25	TORNILLO M10X25	
5	561.47923	CLUTCH BRACKET	SOPORTE CONTRASTE	
6	312.21121	NUT, M12X1.25	TUERCA M12X1.25	
7	312.41080	NUT, SELF LOCKING M8	TUERCA AUTOBLOC. M8	
8	312.41085	NUT	TUERCA	
9	313.12082	STUD M8X38X14X20	PRISIONERO M8X38X14X20	
10	313.12084	STUD M8X58X16X16	PRISIONERO M8X58X16X16	
11	313.12094	STUD M8X68	PRISIONERO M8X68	
12	580.43053	PARALLEL PIN	ESPINA CIL.	
13	313.12124	STUD M12X1.25X12X52	PRISIONERO M12X1.25X12X52	
14	314.21083	SUPER WASHER 8	SUPER ARANDELA 8	
15	314.23084	WASHER, LOCK 8.4	ARANDELA DE RES. 8.4	
16	580.43117	GASKET, COVER	GUARNICION TAPA	
17	314.23130	WASHER, LOCK, M13	ARANDELA DE RES. M13	
18	531.43128	GEARBOX COVER	TAPA CAJA MANDO	
19	531.56325	GEAR BOX CASE	CAJA MANDO	
20	531.56332	REAR COVER	TAPA POSTERIOR	
21	531.56343	REVERSER GEAR COVER, 710	TAPA INVERTIDOR	
22	551.02678	"O" RING	ANILLO GOMA	
23	590.15425	CAP WITH DIP STICK	VARILLA NIVEL ACEITE CON TAPON	

# 710GX Transmission

Serial Number Range  
ALL

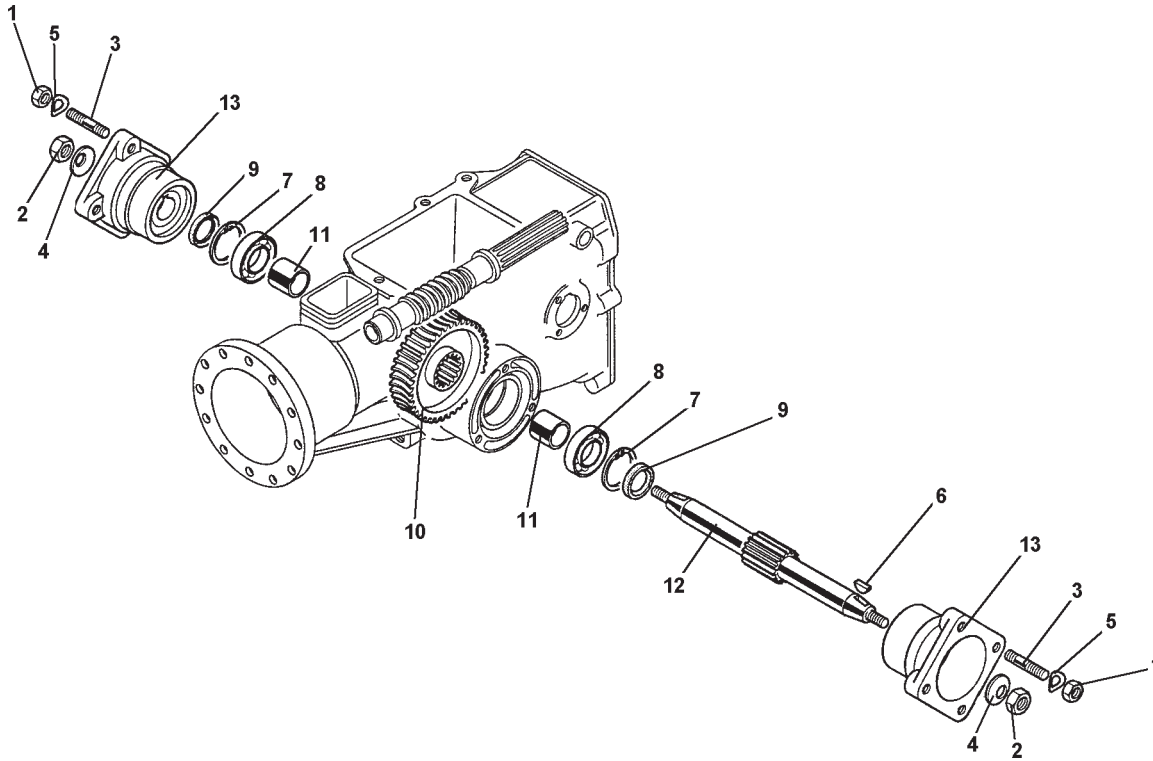
04.00

REVISED 05/04/10

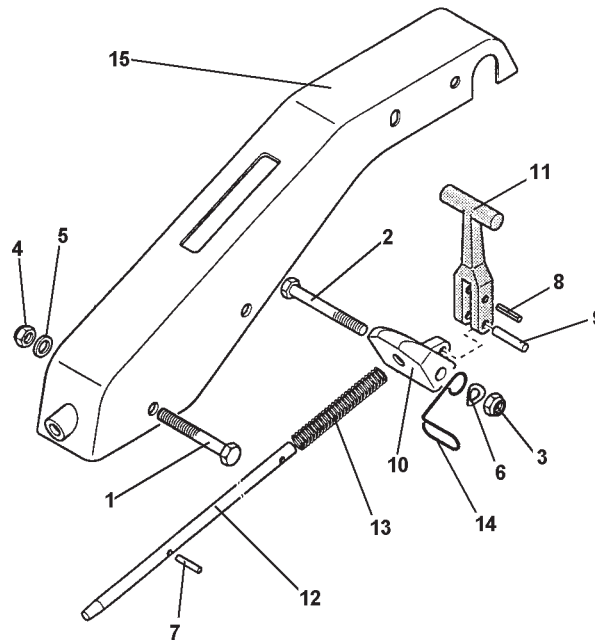


ID	PART NO	DESCRIPTION	DENOMINACION	NOTES
1	342.11025	LOCKING PIN, 2.5X22	ESP. DE RES. 2.5X22	
2	342.13060	LOCKING PIN, 6X24	ESP. DE RES. 6X24	
3	342.13061	LOCKING PIN, 6X20 SPIRAL	ESP. DE RES. 6X20 ESPIRAL	
4	351.11052	CIRCLIP, INTERNAL	SEEGER, INT	
5	351.11055	CIRCLIP, INTERNAL	SEEGER, INT.	
6	351.21031	CIRCLIP, EXTERNAL	SEEGER, EXT.	
7	352.11120	RETAINING RING	SEEGER	
8	371.11151	BEARING, 15X35X11	CONJIETE 15X35X11	
9	371.11152	BEARING, 15X42X13	CONJIETE 15X42X13	
10	371.11255	BEARING, 25X52X15	CONJINETE 25X52X15	
11	371.12229	BEARING, 30X55X13	CONJINETE 30X55X13	
12	373.20120	BEARING, 12X15X10	CONJINETE 12X15X10	
13	379.10832	BALL, 1/4"	BOLA 1/4"	
14	382.11500	OIL SEAL, 15X28X7	CHAPA RET. ACEITE 15X28X7	
15	382.13800	OIL SEAL, 38X55X7	CHAPA RET. ACEITE 38X55X7	
16	524.56335	PTO SHAFT	ARBOL TDF	
17	524.56339	MAIN SHAFT	ARBOL EMBRAGUE PARA INVERT.	
18	524.56354	FIRST GEAR	BARRA I VELOCIDAD	
19	524.56356	SLIDER GEAR	PINON DESPLAZABLE	
20	524.56362	PTO SLIDER	PINON DESPLAZABLE TDF	
21	524.56389	LEVER, SLIDER	PALANCA INVERTIDOR	
22	524.56390	LEVER, PTO ENGAGMENT	PALANCA TDF	
23	563.56328	SHIM, 1.5MM	ANILLO 1.5MM	
24	563.56329	SHIM, 1.6MM	ANILLO 1.6MM	
25	563.56330	SHIM 1.7MM	ANILLO 1.7MM	
26	563.56331	SHIM 1.8MM	ANILLO 1.8MM	
27	563.56348	WASHER	ARANDELA	
28	564.56347	REVERSE GEAR	ENGRANAJE INVERTIDOR	
29	564.56350	PIN, REVERSER GEAR	ARBOL ENGRANAJE INVERTIDOR	
30	564.56475	WORM GEAR	TORNILLO SIN FIN	
31	580.43086	SHOE	PATIN	
32	580.56391	SPRING, PTO BALLS	RESORTE BOLA TDF	
33	590.56378	DRIVE GEAR	ENGRANAJE	

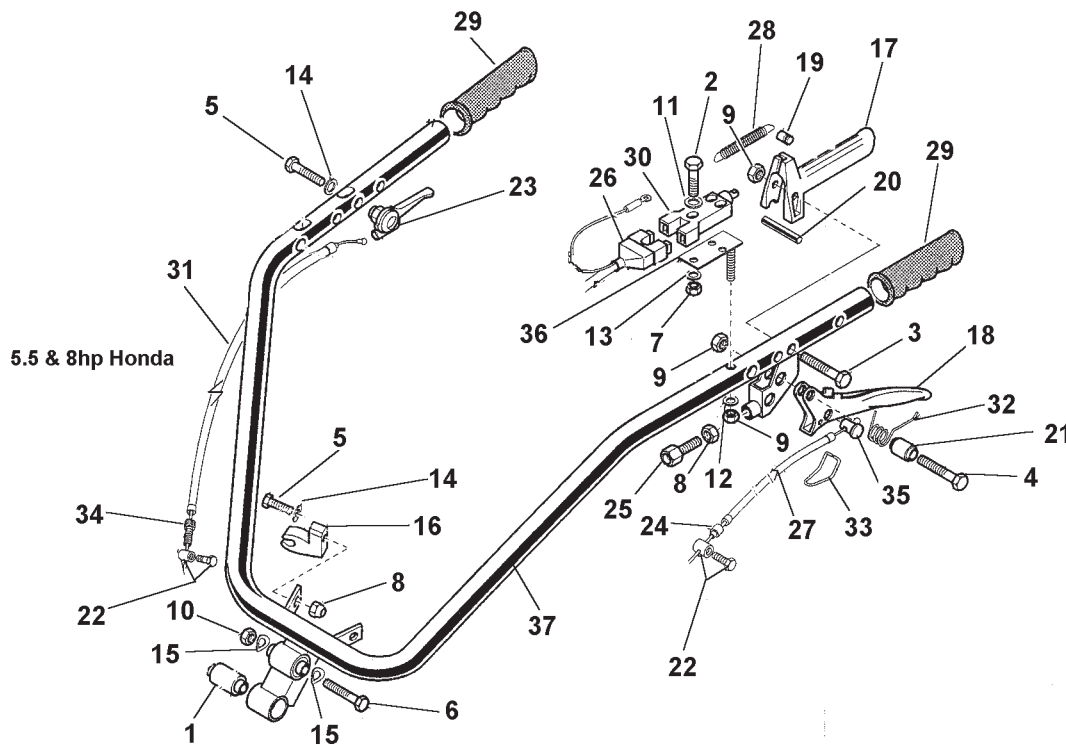
32- FOR EASY INSTALLATION USE  
TOOL # 900.51100



ID	PART NO	DESCRIPTION	DENOMINACION	NOTES
1	312.11100	NUT, M10	TUERCA M10	
2	312.41120	NUT, SELF LOCKING M12	TUERCA AUTOBLOC. M12	
3	313.12102	STUD, M10X40X22X14	PRISIONERO M10X40X22X14	
4	314.21130	SUPER WASHER, 12	ARANDELA SUPER, 12	
5	314.23105	WASHER, LOCK 10.5	ARANDELA DE. RES. 10.5	
6	343.11060	KEY 6X10	LINGUETA 6X10	
7	351.11052	CIRCLIP, INTERNAL	SEEGER, INT.	
8	371.11255	BEARING 25X52X15	COJINETE 25X52X15	
9	382.12501	OIL SEAL, 25X52X10	CHAPA RET. A.C. 25X52X15	
10	541.43090	GEAR	CORONA	
11	561.43059	SPACER	SEPARADOR	
12	563.43058	WHEEL SHAFT	PARTE RUEDAS	
13	590.43063	HUB, WHEEL WITH STUDS	CUBO RUEDA CON PRISION	

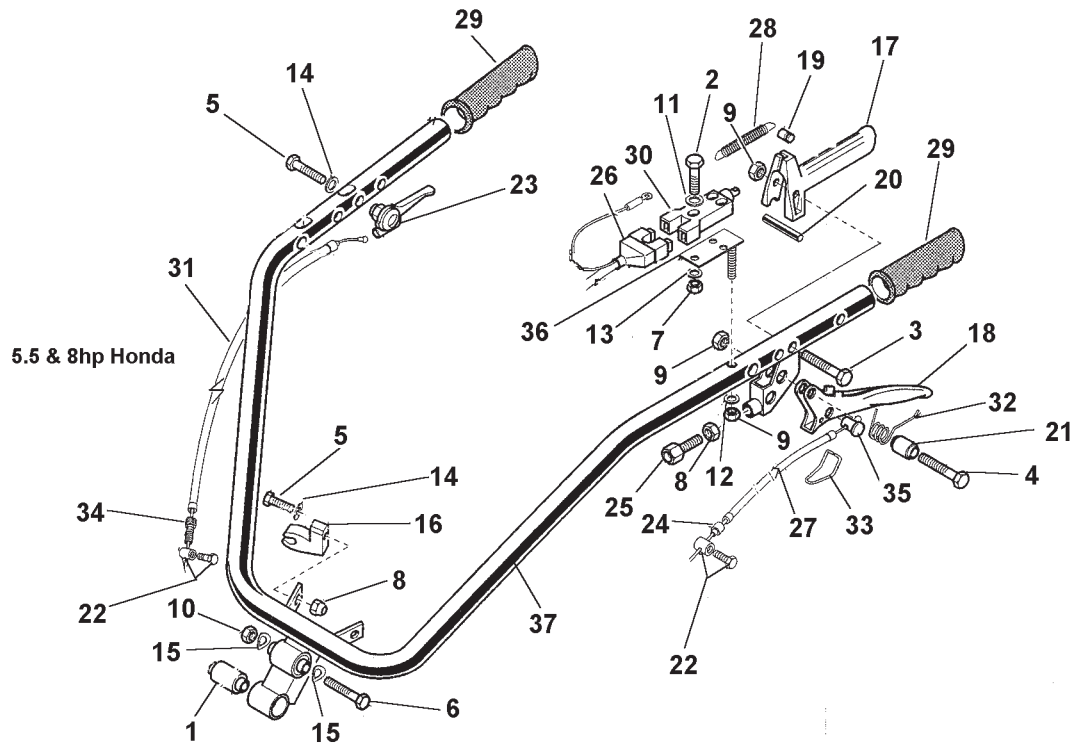


ID	PART NO	DESCRIPTION	DENOMINACION	NOTES
1	311.12294	SCREW, M12X85	TORNILLO M12X85	
2	311.13210	SCREW, M10X80	TORNILLO M10X80	
3	312.41100	NUT, SELF LOCKING, M10	TUERCA HEX. INT. M10	
4	312.41120	NUT, SELF LOCKING, M12	TUERCA HEX. INT. M12	
5	314.21130	WASHER, M10.4	ARANDELA DE RES. 10.4	
6	314.23105	WASHER, LOCKING, M13	ARANDELA DE RES. M13	
7	342.11028	PIN, LOCKING	ESPIÑA DE RESISTENCIA	
8	342.11041	PIN, LOCKING, M4X35	ESP DE RES. M4X35	
9	342.21070	PIN, LOCKING	ESPIÑA CILINDRIC	
10	552.51686	SUPPORT, RD	SOPORTE PALANCA	
11	552.51688	ADJUSTING LEVER	PALANCA DE REGULACION	
12	563.51685	HANDLEBAR POSITION ROD	VARILLA MANILLAR	
13	580.42219	SPRING, ROD	MUELLE	
14	580.57266	CABLE GUIDE	GUIDE FILO	
15	590.51682	STEERING COLMUN	COLUMNA MANILLAR	

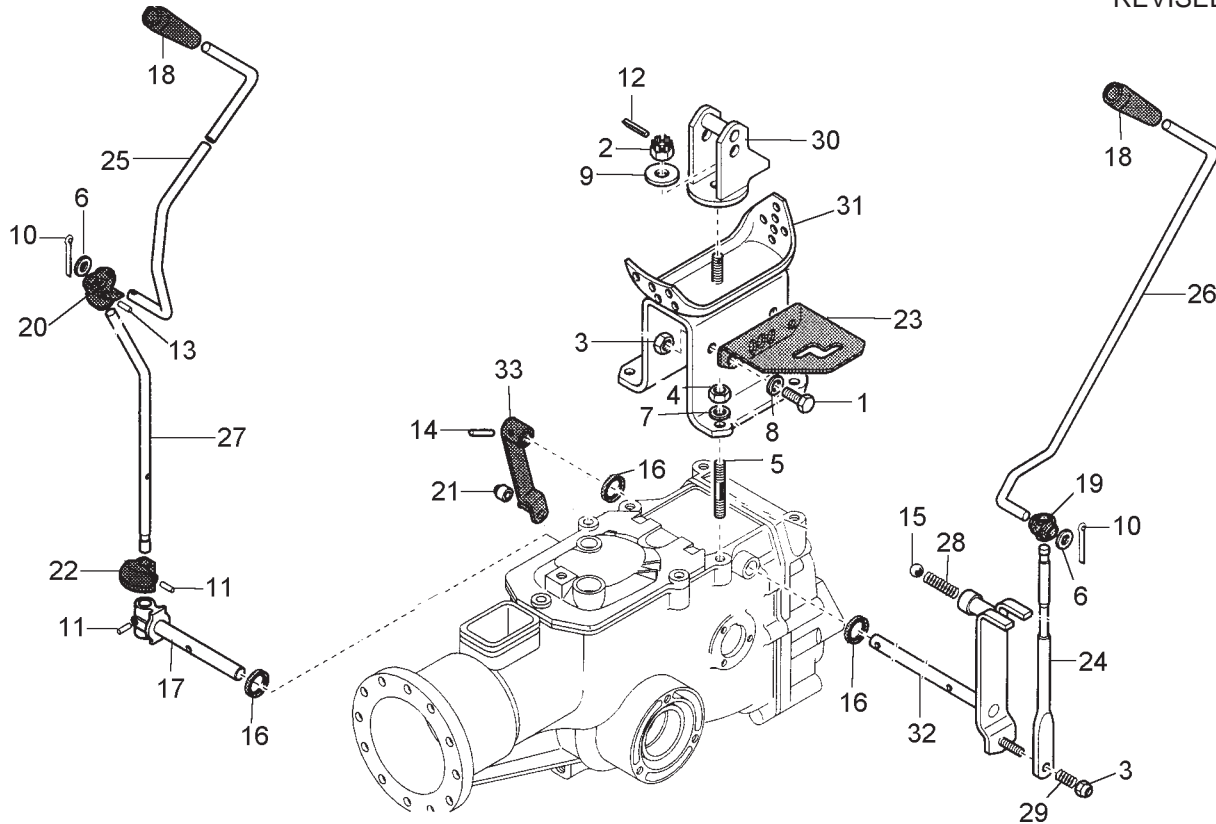


ID	PART NO	DESCRIPTION	DENOMINACION	NOTES
1	300.10103	SILENTBLOCK	SILENTBLOC	
2	311.11086	SCREW TE M4X25	TORNILLO TE M4X25	
3	311.11097	SCREW, TE M6X45	TORNILLO, TE M6X45	
4	311.12089	SCREW, M6X25	TORNILLO, M6X25	
5	311.12153	SCREW, M8X35	TORNILLO M8X35	
6	311.13210	SCREW, M10X80	TORNILLO, M10X80	
7	312.11040	NUT, M4	TUERCA M4	
8	312.11080	NUT, M8	TUERCA, M8	
9	312.41060	NUT, SELF LOCKING M6	TERCA AUTOBLOC. M6	
10	312.41100	NUT, M10	TUERCA, M10	
11	314.11043	FLAT WASHER, M4.3	AUANDELA PLANA, M4.3	
12	314.11064	WASHER, FLAT 6.4	ARANDELA, PLANA 6.4	
13	314.23043	LOCK WASHER, M4.3	ARANDELA DE RES. M4.3	
14	314.23084	WASHER, M8.4	ARANDELA M8.4	
15	314.23105	WAVE WASHER, M10.4	ARANDELA DE RES. M10.4	
16	<b>552.43340</b>	<b>SUPPORT, CONTROL ROD</b>	<b>SOPORTE BARRA</b>	<b>16- CAN BE REPLACED BY 552.43338 FOR USE ON UNITS WITH REAR ATTACHMENTS ONLY.</b>
17	552.48041	MOTOR STOP LEVER	PALANCA MOTOR STOP	
18	561.47655	CLUTCH LEVER	PALANCA	
19	561.47711	SPRING PIN	ESPINA	
20	561.48037	LEVER STOP FOR MOTOR STOP	FIJACION PALANCA MOTOR STOP	
21	561.50361	LEVER SPACER	SEPARADOR PALANCAS	
22	580.02429	CLAMP, CABLE	PASADOR	
23	580.02538	THROTTLE LEVER	PALANCA MANDO GAS	
24	580.42167	CABLE END	BULLON CABLE EMBRAGUE	
25	580.42202	SCREW, ADJUSTING, M8	TORNILLO REG. M8	
26	580.47568	SWITCH WIRING HARNESS	CABLES INTERRUPTOR	
27	580.47629	CLUTCH CABLE	CABLE VAINA	
28	580.47712	SPRING	MUELLE	
29	580.48000	GRIP	MANIVELA	
30	580.48009	STOP SWITCH	INTERRUPTOR STOP	
31	580.48012	THROTTLE CABLE	ALAMBRE Y VAINA	
32	580.50345	LEVER SPRING	PALANCA	
33	580.51670	HOOK	ENGANCHE	
34	581.47704	CABLE ADJUSTER	TORNILLO REG M8	
35	581.50313	BARREL	PASADOR	

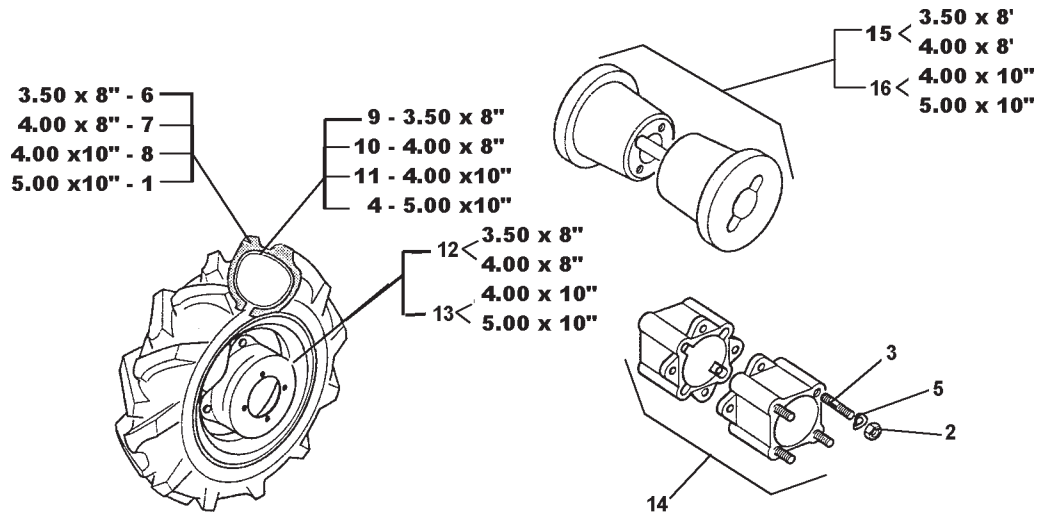
REVISED 05/04/10



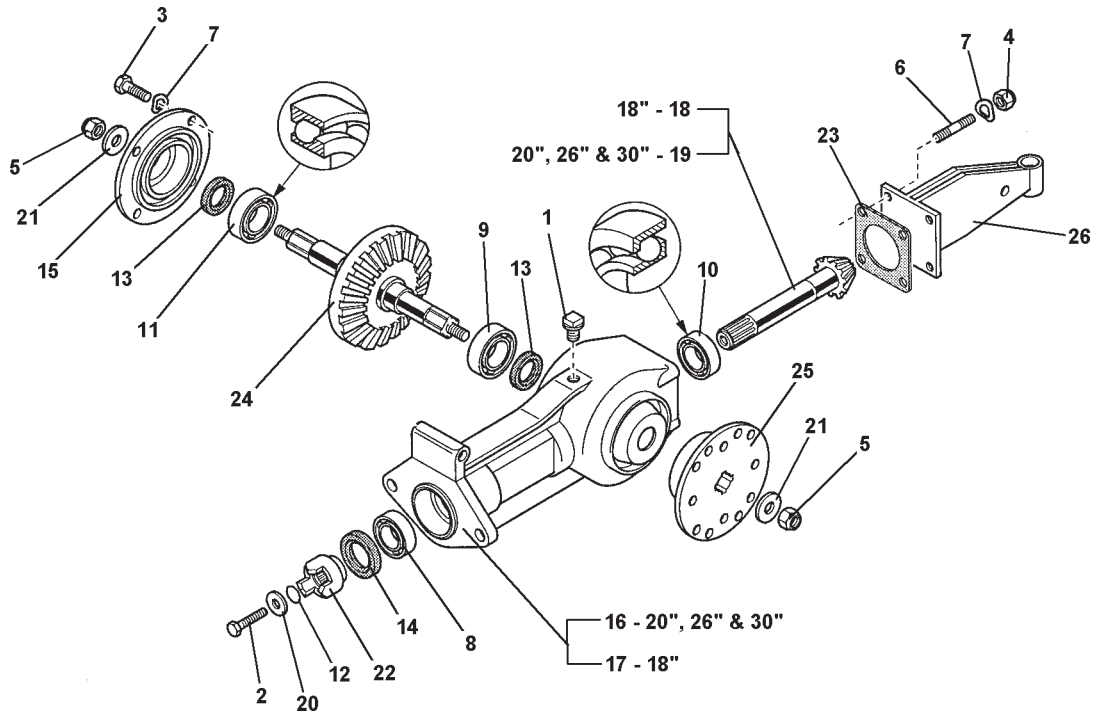
ID	PART NO	DESCRIPTION	DENOMINACION	NOTES
36	590.47709	SWITCH PLATE	SOPORTE INTERRUPTOR STOP	
37	590.57112	HANDLE BAR	MANUBRIO	



ID	PART NO	DESCRIPTION	DENOMINACION	NOTES
1	311.12150	SCREW, M8X20	TORNILLO, M8X20	
2	312.01212	NUT, CASTLE, M12	TUERCA HEX. INT. M12	
3	312.41080	NUT, SELF LOCKING, M8	TUERCA AUTOBLOC. M8	
4	312.41085	NUT, M8	TUERCA, M8	
5	313.12082	STUD, M8X38X14X20	PRISIONERO M8X38X14X20	
6	314.11104	WASHER, M10.5	ARANDELA, M10.5	
7	314.21083	SUPER WASHER	SUPER ARANDELA	
8	314.23084	WASHER, WAVE	ARANDELA	
9	314.23130	LOCK WASHER, M13	ARANDELA DE RES. M13	
10	341.10028	COTTER PIN	PASADOR	
11	342.13020	PIN, LOCKING, M4X20	ESP. DE RES. M4X20	
12	342.13022	PIN, LOCKING, M3X22	ESP. DE RES. M3X22	
13	342.13024	PIN, LOCKING, M4X24	ESP. DE RES. M4X24	
14	342.13061	LOCKING PIN, 6X20 SPIRAL	ESP. DE RES. 6X20 ESPIRAL	
15	379.11532	BALL, 15/32"	BOLA, 15/32"	
16	382.11400	OIL SEAL, 14X22X4	CHAPA RET. ACEITE 14X22X4	
17	523.57250	PTO SHAFT	PENO MANDO TDF	
18	551.42076	KNOB	POMO	
19	561.42548	ARTICULATOR	MANGUETA	
20	552.48379	PTO ARTICULATION	MANGUETA T.D.F.	
21	552.57313	PTO LOCKOUT RING	ANILLO CERRAR LA PUERTA	
22	552.57321	PTO STOP RING	ANILLO CONTRASTE T.D.F.	
23	561.57234	GEAR SELECTOR	SELECTOR MARCHAS	
24	561.57271	SPEED CONTROL LEVER	PALANCA CAMBIO	
25	561.57282	PTO CONTROL ROD	TIRANTE MANDOS MC. TDF	
26	561.57283	SPEED CONTROL ROD	TIRANTE MANDOS MC.	
27	561.57323	PTO CONTROL LEVER	PLANACA MANDO T.D.F.	
28	580.43176	SPRING	MUELLE	
29	580.57232	SPRING	MUELLE	
30	590.56900	HANDLE BAR SUPPORT	SOPORTE MANILLAR	
31	590.56905	HANDLE BAR ANCHOR	ATAQUE MANILLAR	
32	590.57228	SPEED CONTROL LEVER	PALANCA MANDO	
33	590.57325	PTO LOCKOUT LEVER	CERRAR LA PUERTA	

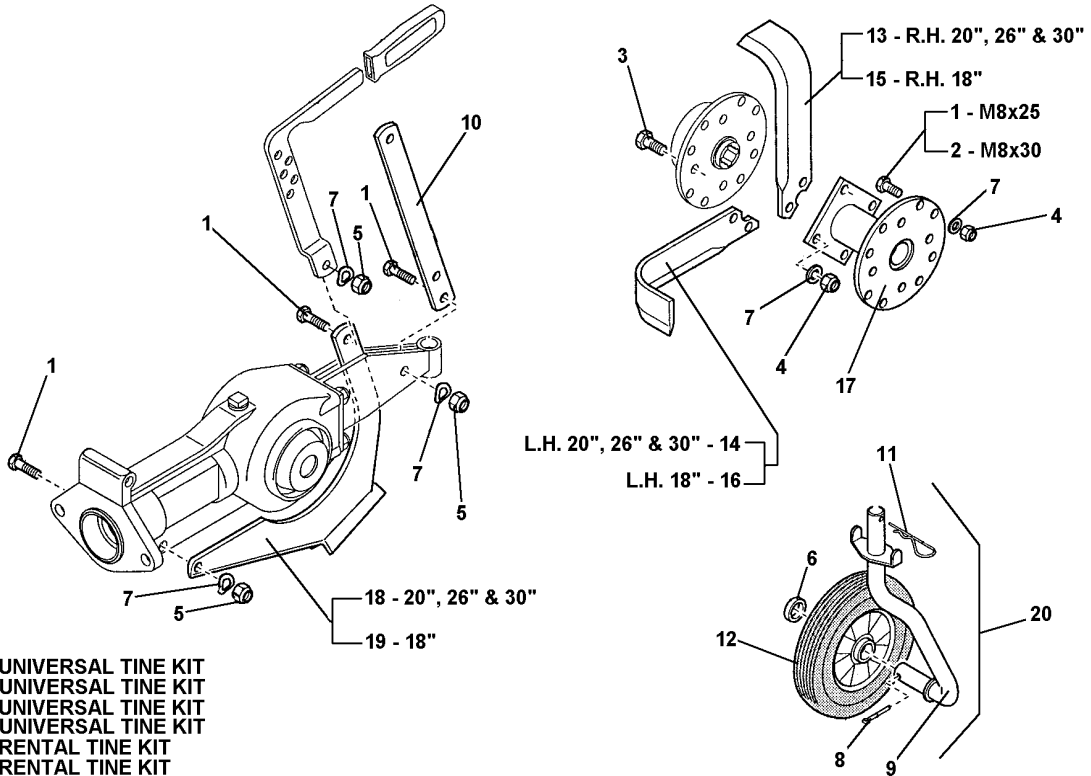


ID	PART NO	DESCRIPTION	DENOMINACION	NOTES
1	391.15010	TIRE 5.00X10" TRACTOR	CUBIERTA TM 5.00X10	
2	312.11100	NUT, M10	TUERCA M10	
3	313.12102	STUD, M10X40X22X14	PRISIONERO, M10X40X22X14	
4	394.15010	TUBE 5.00X10"	CAMARA 5.00X10	
5	314.23105	WASHER, LOCK, 10.5	ARANDELA DE RES. M10.5	
6	391.13502	TIRE 3.50X8" TRACTOR	CUBIERTA DE NEUMATICO 3.5X8	
7	391.14008	TIRE 4.00X8" TRACTOR	CUBIERTA DE NEUMATICO	
8	391.14010	TIRE 4.00X10" TRACTOR	CUBIERTA TM 4.00X10	
9	NLA	TUBE 3.50X8" (USE 394.14008)	CAMARA DE AIRE 3.50X8	
10	394.14008	TUBE 4.00X8"	CAMARA 4.00X8	
11	394.14010	TUBE 4.00X10"	CAMARA 4.00X10	
12	580.43250	WHEEL DISC, 3.50X8" & 4.00X8"	RUEDA EN DISCO, 3.50X8 & 4.00X8	
13	580.48330	RIM, 4.00X10"	LLANTA 10"	
14	922.43685	WHEEL SPACERS, FIXED	SEPARADOR RUEDA	
15	922.43686	WHEEL WEIGHTS 48#	PESAS, 48#	
16	922.48715	WHEEL WEIGHTS 66#	PESAS, 66#	



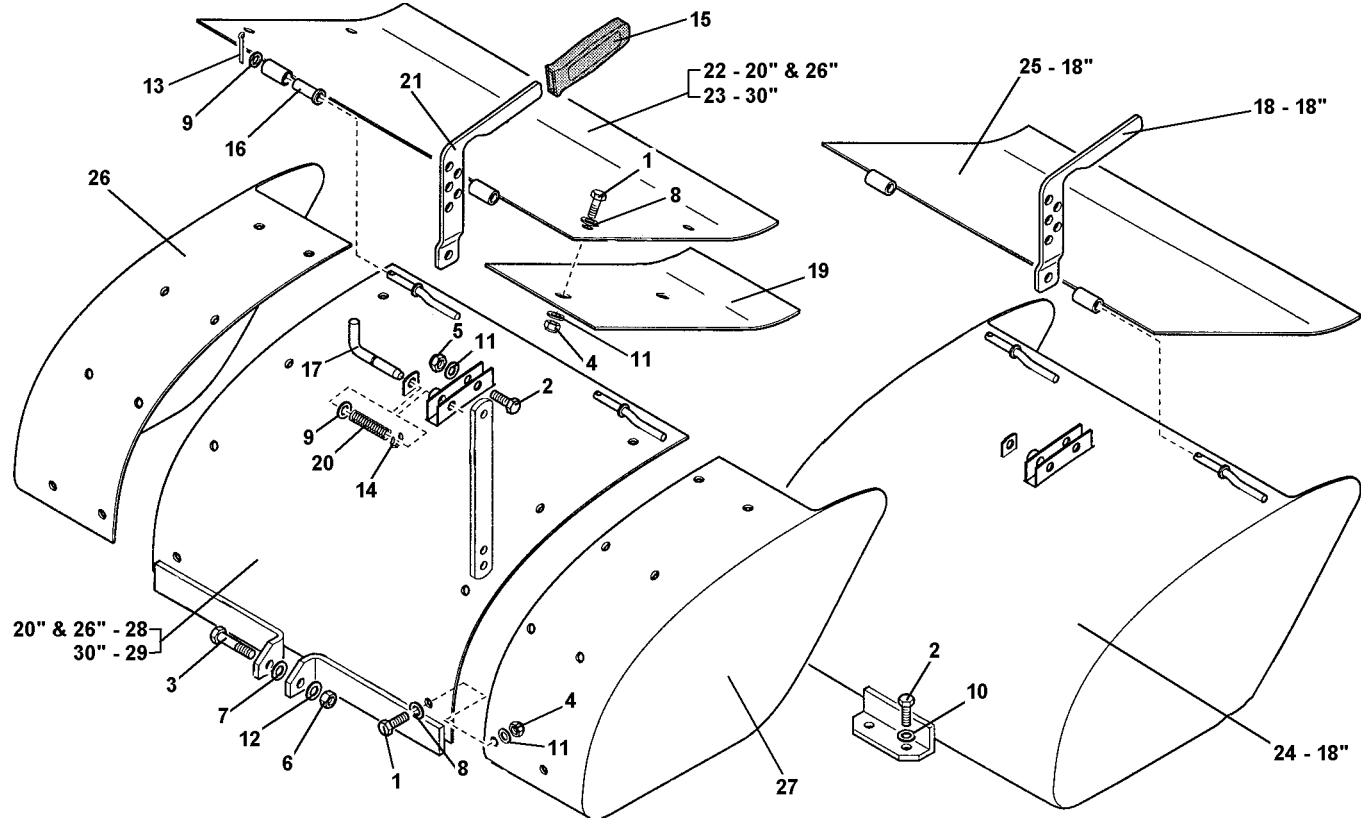
GEARBOX COMPLETE = SEE REF# 27 & 28

ID	PARTNO	DESCRIPTION	DENOMINACION	NOTES
1	300.40001	PLUG	TAPON	
2	311.12093	SCREW, M6X20	TORNILLO M6X20	
3	311.12151	SCREW, M8X25	TORNILLO M8X25	
4	312.41085	NUT, SELF LOCKING, M8	TUERCA AUTOBLOC. M8	
5	312.41141	NUT, SELF LOCKING, M14	TUERCA AUTOBLOC. M14	
6	313.12078	STUD, M8X32X14X14	PRISIONERO M8X32X14X14	
7	314.21083	WASHER, LOCKING, M8.4	ARANDELA DE RES. M8.4	
8	371.11200	BEARING, M20X42X12	COJINETE M20X42X12	
9	371.11255	BEARING, M25X52X15	COJINETE M25X52X15	
10	371.41201	BEARING, M20X47X14	COJINETE M20X47X14	
11	371.41252	BEARING, M25X52X15	COJINETE M25X52X15	
12	381.11554	"O" RING	CHAPA RET. ACEITE	
13	382.12503	OIL SEAL	CHAPA RET. ACEITE	
14	382.12842	OIL SEAL, 28X42X7	CHAPA RET. ACEITE 28X42X7	
15	511.48428	COUPLING	BRIDA	
16	512.48405	GEAR CASE HOUSING	CUERPO CENTRAL FRESADORA	
17	512.59225	GEAR CASE HOUSING, 18" TILLER	CUERPO CENTRAL FRESADORA, 18"	
18	524.59226	PINION SHAFT, 18" TILLER	PINION CONICO, 18"	
19	524.59230	PINION SHAFT, 20" - 30" TILLER	PINION CONICO, 20" - 30"	
20	561.42291	WASHER	ARANDELA	
21	561.48438	WASHER	ARANDELA	
22	564.58941	PTO COUPLER	ACOPLAMIENTO FRESADORA	
23	580.49859	BACK COVER GASKET	GUARNICION FRESADORA	
24	590.48408	TINE SHAFT AND GEAR	ARBOL CON CORONA	
25	590.48435	BLADE HOLDER FLANGE	BRIDA PORTA-CUCHILLOS	
26	590.49853	REAR COVER FOR TILLER	TAPA POSTERIOR FRESADORA	
27	592.90859	GEARBOX COMPLETE 20", 26", 30"		AS PICTURED LESS REF#25
28	592.90858	GEARBOX COMPLETE 18"		AS PICTURED LESS REF#25



21 - 18" UNIVERSAL TINE KIT  
 22 - 20" UNIVERSAL TINE KIT  
 23 - 26" UNIVERSAL TINE KIT  
 24 - 30" UNIVERSAL TINE KIT  
 25 - 20" RENTAL TINE KIT  
 26 - 26" RENTAL TINE KIT  
 27 - 30" RENTAL TINE KIT

ID	PART NO	DESCRIPTION	DENOMINACION	NOTES
1	311.12151	SCREW, M8X25	TORNILLO M8X25	
2	311.12152	SCREW, M8X30	TORNILLO M8X30	
3	311.12153	SCREW, M8X35	TORNILLO M8X35	
4	312.41080	NUT, SELF LOCKING, M8	TUERCA AUTOBLOC. M8	
5	312.41085	NUT, SELF LOCKING, M8	TUERCA AUTOBLOC. M8	
6	314.00181	WASHER	ARANDELA	
7	314.23084	WASHER, LOCK, M8.4	ARANDELA DE RES. M8.4	
8	341.10042	COTTER PIN	PASADOR A	
9	561.42467	WHEEL SUPPORT PIN	PERNO SOPORTE RUEDITA	
10	561.59363	HOOD ROD	TIRANTE CAPO FRESADORA	
11	580.02052	PIN	CLAVITA	
12	580.42468	RUBBER WHEEL	RUEDA	
13	580.59275	TINE, R.H., 20" - 30" TILLER	CUCHILLA DERECHA, 20" - 30"	
14	580.59276	TINE, L.H., 20" - 30" TILLER	CUCHILLA IZQUIERDA 20" - 30"	
15	580.59277	TINE, R.H., 18" TILLER	CUCHILLA DERECHA, 18"	
16	580.59278	TINE, L.H., 18" TILLER	CUCHILLA IZQUIERDA, 18"	
17	590.48422	SPACER KNIVES	SEPARADOR	
18	590.49850	CERNTAL KNIFE	CUCHILLA CENTRAL	
19	590.59231	CENTRAL KNIFE	CUCHILLA CENTRAL	
20	922.42465	TRANSPORT WHEEL ASSEMBLY	RUEDA ENSAMBLAJE, TRANSPORTAR	
21	T18U	18" UNIVERSAL TINE KIT	18" COMPLETO UNIVERSAL DIENTE	
22	T20U	20" UNIVERSAL TINE KIT	20" COMPLETO UNIVERSAL DIENTE	
23	T26U	26" UNIVERSAL TINE KIT	26" COMPLETO UNIVERSAL DIENTE	
24	T30U	30" UNIVERSAL TINE KIT	30" COMPLETO UNIVERSAL DIENTE	
25	T20R	20" RENTAL TINE KIT	20" COMP. PROPIEDAD ALQUILADA DIENTE	
26	T26R	26" RENTAL TINE KIT	26" COMP. PROPIEDAD ALQUILADA DIENTE	
27	T30R	30" RENTAL TINE KIT	30" COMP. PROPIEDAD ALQUILADA DIENTE	



ID	PARTNO	DESCRIPTION	DENOMINACION	NOTES
1	311.11151	SCREW, M8X16	TORNILLO M8X16	
2	311.12151	SCREW, M8X25	TORNILLO M8X25	
3	311.12294	SCREW, M12X85	TORNILLO M12X85	
4	312.11080	NUT, M8	TUERCA M8	
5	312.41085	NUT, SELF LOCKING, M8	TUERCA AUTOBLOC. M8	
6	312.41121	NUT, M12	TUERCA M12	
7	314.10131	FLAT WASHER	ARANDELA PLANA	
8	314.11084	WASHER, FLAT, M8.4	ARANDELA PLANA M8.4	
9	314.11104	WASHER	ARANDELA	
10	314.21083	WASHER, M8.4	ARANDELA M8.4	
11	314.23084	WASHER, LOCK, M8.4	ARANDELA DE RES. M8.4	
12	314.23130	WASHER, LOCK, M13	ARANDELA DE RES. M13	
13	341.10028	COTTER PIN	PASADOR	
14	352.11080	SNAP RING	SEEGER	
15	551.02714	KNOB	MANILLA	
16	551.42109	BUSHING	CASQUILLO	
17	561.52053	ADJUSTMENT PIN	CLAVITA DE REGULACION	
18	561.59372	KNIVE ROD	VARILLA CUCHILLA	
19	561.59383	SIDE FLAP	VOLQUETE LATERAL	
20	580.52050	SPRING	MUELLE	
21	590.49863	DEPTH ADJUSTMENT LEVER	VARILLA CUCHILLA	
22	590.59356	CENTER FLAP, 20" & 26" TILLER	VOLQUETE, 20" & 26"	
23	590.59360	CENTER FLAP 30" TILLER	VOLQUETE, 30"	
24	590.59365	TILLER HOOD, 18" TILLER	CUERPO CENTRAL COFRE, 18"	
25	590.59370	CENTER FLAP, 18" TILLER	VOLQUETE, 18"	
26	590.59379	RIGHT SIDE FENDER, 20" -30" TILLER	FLANCO DERECHO	
27	590.59380	LEFT SIDE FENDER, 20" - 30" TILLER	FLANCO IZQUIERDO	
28	590.59381	TILLER HOOD, 20" & 26" TILLER	CUERPO CENTRAL COFRE, 20" & 26"	
29	590.59382	CENTER HOOD 30" TILLER	CUERPO CENTRAL COFRE, 20" & 26"	