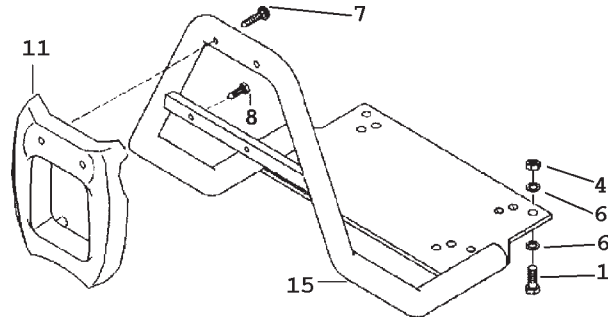




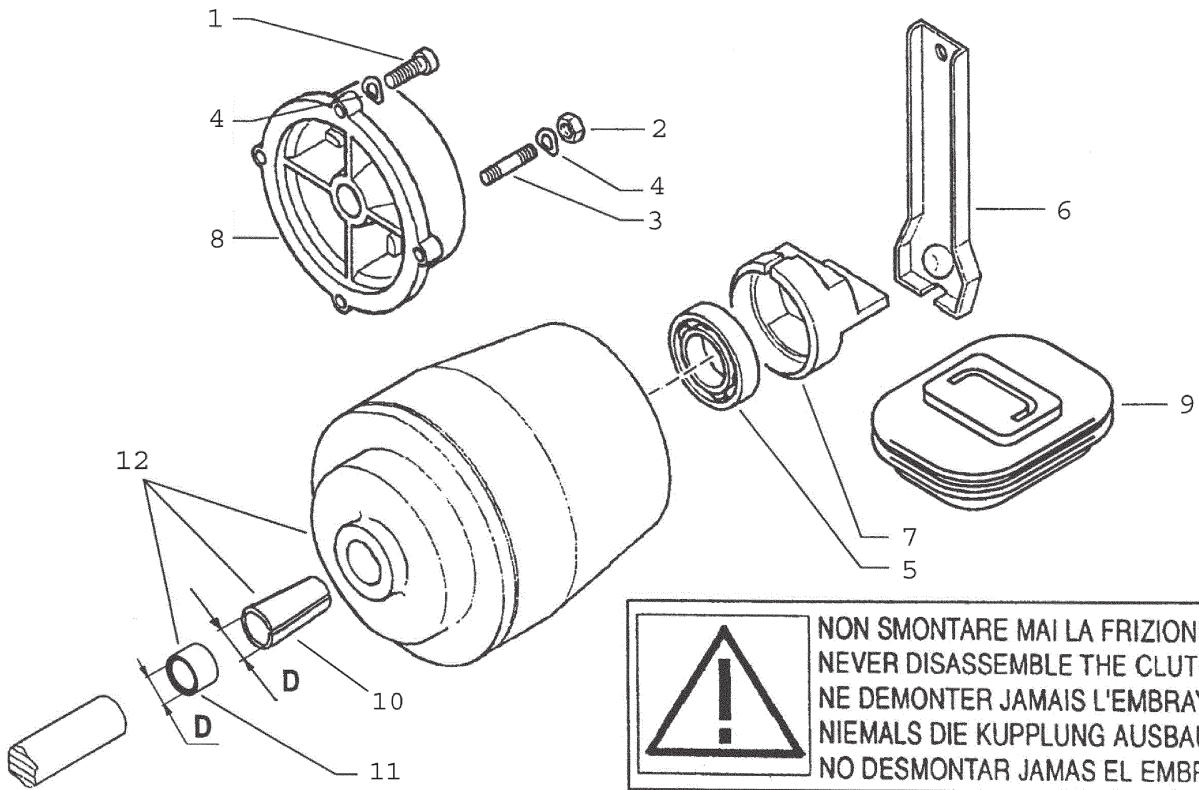
---

A M E R I C A

---

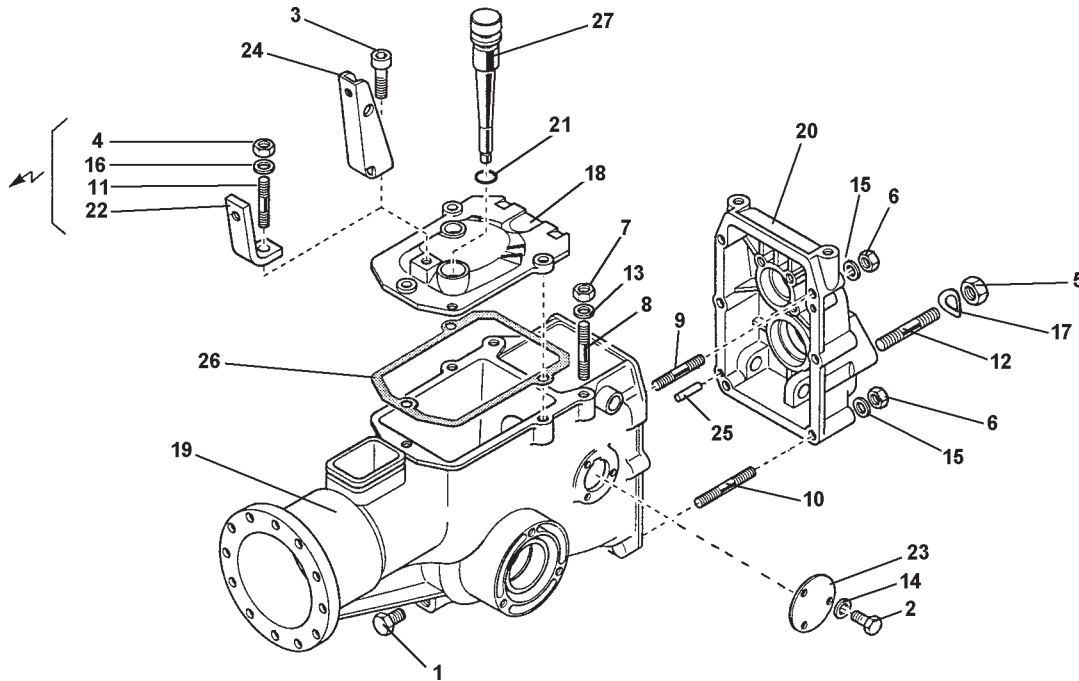


ID	PART NO	DESCRIPTION	ID	PART NO	DESCRIPTION
1	311.12154	CAPSCREW, M8X40 UNI 57398G			
4	312.41080	NUT, LOCK M8			
6	314.11084	WASHER, FLAT, M8 4X17			
7	315.10099	SCREW, SELF TAPPING, M6.3X38			
8	315.10100	SCREW, SELF TAPPING, M6.3X19			
11	552.57622	FRONT BUMPER GUARD			
15	590.56122	BUMPER			



	<p>NON SMONTARE MAI LA FRIZIONE                  NEVER DISASSEMBLE THE CLUTCH                  NE DEMONTER JAMAIS L'EMBRAYAGE                  NIEMALS DIE KUPPLUNG AUSBAUEN                  NO DESMONTAR JAMAS EL EMBRAGUE</p>
--	--

ID	PART NO	DESCRIPTION	ID	PART NO	DESCRIPTION
1	311.00003	SCREW, 5/16X7/8"			
2	312.11080	NUT, M8			
3	313.12088	STUD, M8X40X14X14			
4	314.23084	WASHER, WAVE			
5	371.12173	BEARING, M17X40X12			
6	561.47845	LEVER, RECOIL START			
7	524.47842	PUSHER CONE			
8	532.47488	FLANGE, 5.5HP HONDA/SUBARU			
9	551.57609	BOOT			
10	561.56276	SPACER			
11	561.56284	SPACER			
12	592.56275	CLUTCH, (INCLUDE 5, 7)			



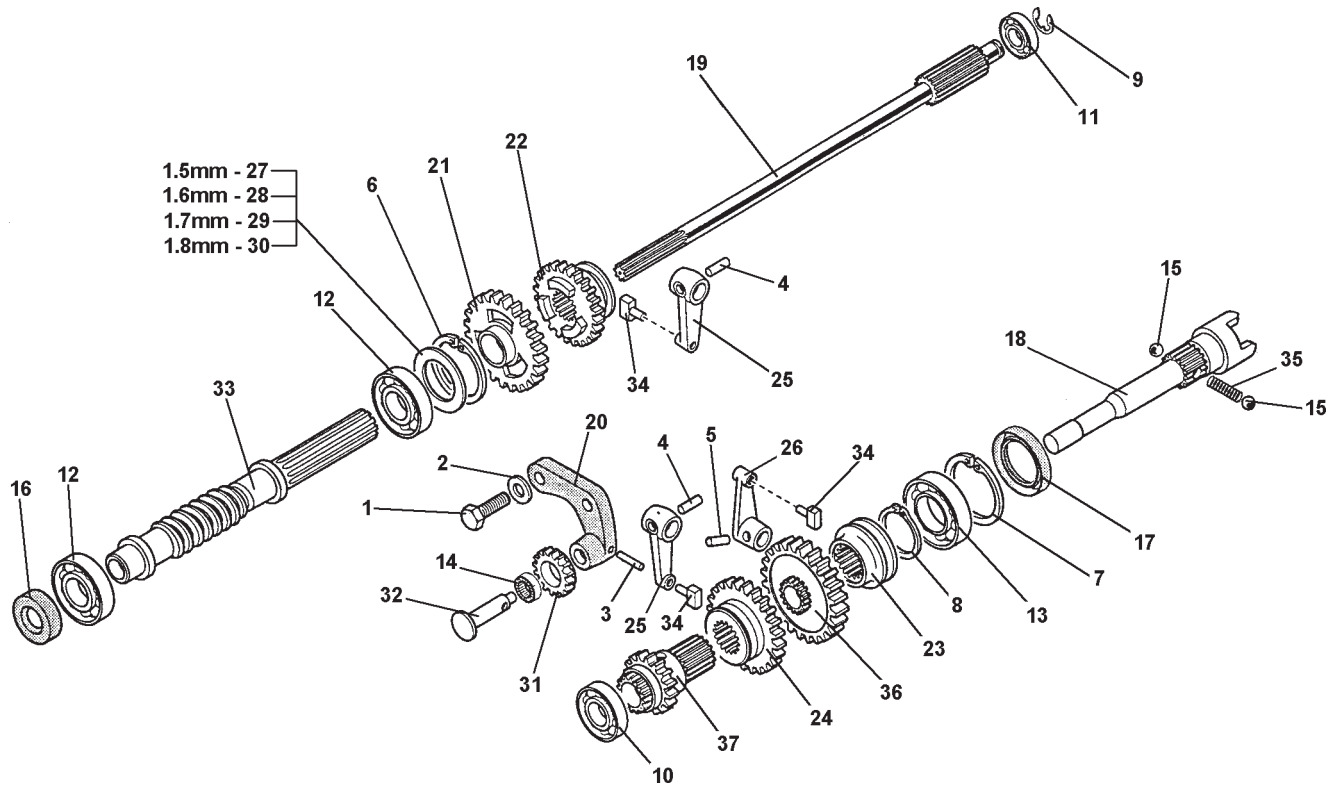
ID	PART NO	DESCRIPTION	ID	PART NO	DESCRIPTION
1	300.40001	PLUG	16	314.23105	WASHER M10.4
2	311.11090	SCREW M6X10X10	17	314.23130	WASHER, LOCK, M13
3	311.52103	SCREW M10X25	18	531.43128	GEARBOX COVER
4	312.11100	NUT, M10	19	531.56325	GEAR BOX CASE
5	312.21121	NUT, M12X1.25	20	531.56332	REAR COVER
6	312.41080	NUT, SELF LOCKING M8OC. M8	21	551.02678	"O" RING
7	312.41085	NUT	22	561.43878	CLUTCH BRACKET
8	313.12082	STUD M8X38X14X20	23	561.47520	SIDE COVER
9	313.12084	STUD M8X58X16X16	24	561.47923	CLUTCH BRACKET
10	313.12094	STUD M8X68	25	580.43053	PARALLEL PIN
11	313.12101	STUD M10X37	26	580.43117	GASKET, COVER
12	313.12125	STUD M12X1.25X12X64	27	590.15425	CAP WITH DIP STICK
13	314.21083	SUPER WASHER 8			
14	314.22064	WASHER, LOCK 6.4			
15	314.23084	WASHER, LOCK 8.4			

# 710 (5SPD) Transmission

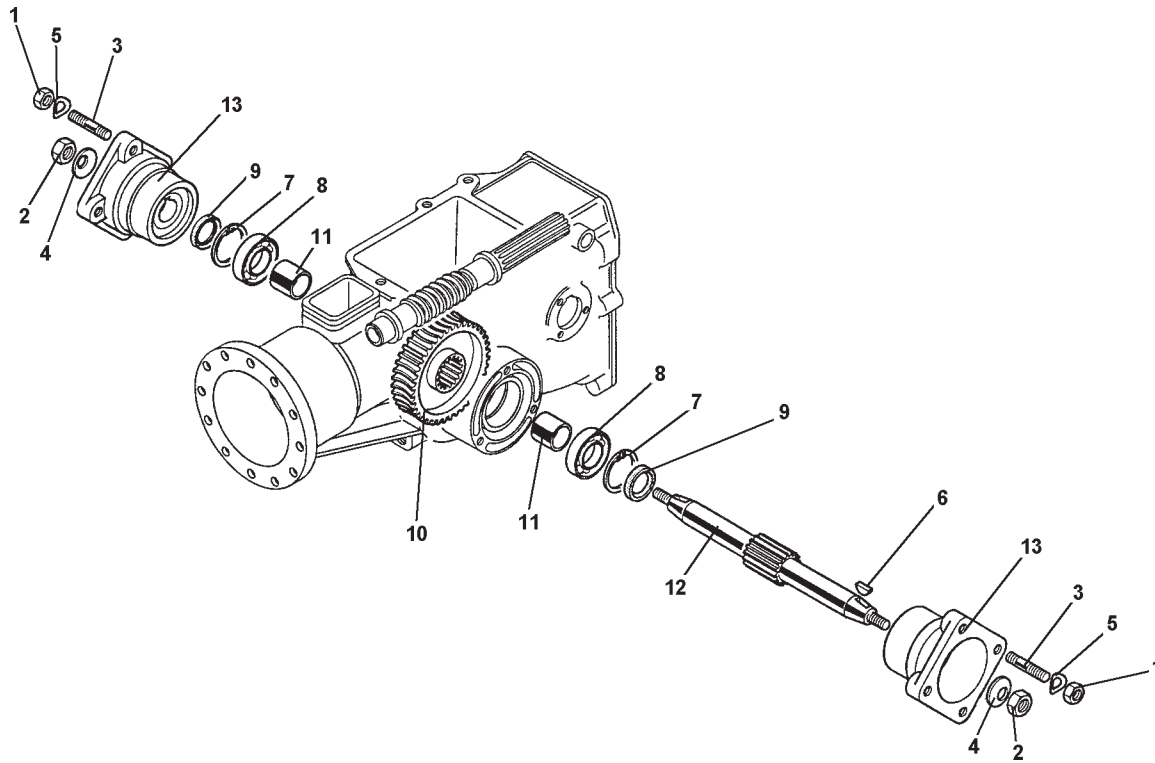
Serial Number Range

04.00

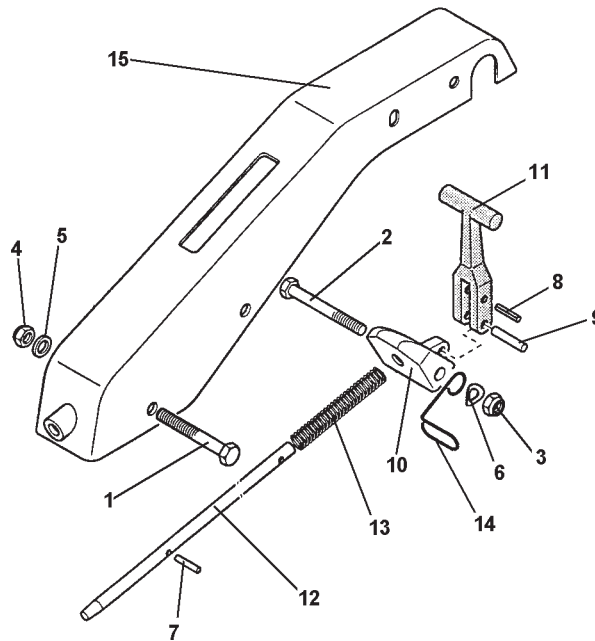
REVISED 12/27/2011



ID	PART NO	DESCRIPTION	ID	PART NO	DESCRIPTION
1	311.12211	SCREW, M10X30	21	524.56354	FIRST GEAR
2	314.21101	SUPER WASHER 10	22	524.56361	SLIDER GEAR
3	342.11042	LOCKING PIN, 4X25	23	524.56362	PTO SLIDER
4	342.13060	LOCKING PIN, 6X24	24	524.56370	SLIDER, REVERSER
5	342.13061	LOCKING PIN, 6X20 SPIRAL	25	524.56389	LEVER, SLIDER
6	351.11052	CIRCLIP, INTERNAL	26	524.56390	LEVER, PTO ENGAGEMENT
7	351.11055	CIRCLIP, INTERNAL	27	563.56328	SHIM, 1.5MM
8	351.21031	CIRCLIP, EXTERNAL	28	563.56329	SHIM, 1.6MM
9	352.11120	RETAINING RING	29	563.56330	SHIM 1.7MM
10	371.11151	BEARING, 15X35X11	30	563.56331	SHIM 1.8MM
11	371.11152	BEARING, 15X42X13	31	564.56347	REVERSE GEAR
12	371.11255	BEARING, 25X52X15	32	564.56351	PIN, REVERSE GEAR
13	371.12229	BEARING, 30X55X13	33	564.56475	WORM GEAR
14	373.20120	BEARING, 12X15X10	34	580.43086	SHOE
15	379.10832	BALL, 1/4"	35	580.56391	SPRING, PTO BALLS
16	382.11500	OIL SEAL, 15X28X7	36	590.56365	PTO GEAR
17	382.13800	OIL SEAL, 38X55X7	37	590.56384	GEAR
18	524.56335	PTO SHAFT			
19	524.56339	MAIN SHAFT			
20	524.56344	REVERSER BRACKET			



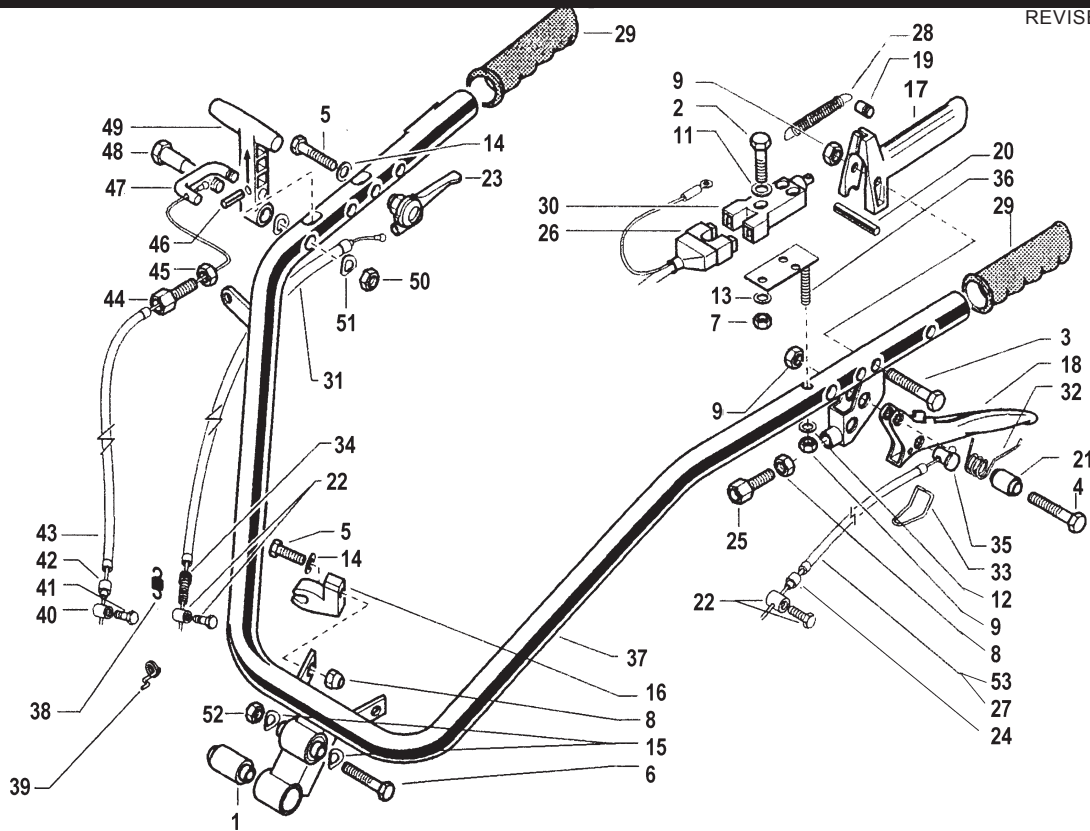
ID	PART NO	DESCRIPTION	ID	PART NO	DESCRIPTION
1	312.11100	NUT, M10	11	561.43059	SPACER
2	312.41120	NUT, SELF LOCKING M12	12	563.43058	WHEEL SHAFT
3	313.12102	STUD, M10X40X22X14	13	590.43063	HUB, WHEEL WITH STUDS
4	314.21130	SUPER WASHER, 12			
5	314.23105	WASHER, LOCK 10.5			
6	343.11060	KEY 6X10			
7	351.11052	CIRCLIP, INTERNAL			
8	371.11255	BEARING 25X52X15			
9	382.12501	OIL SEAL, 25X52X10			
10	541.43090	GEAR			



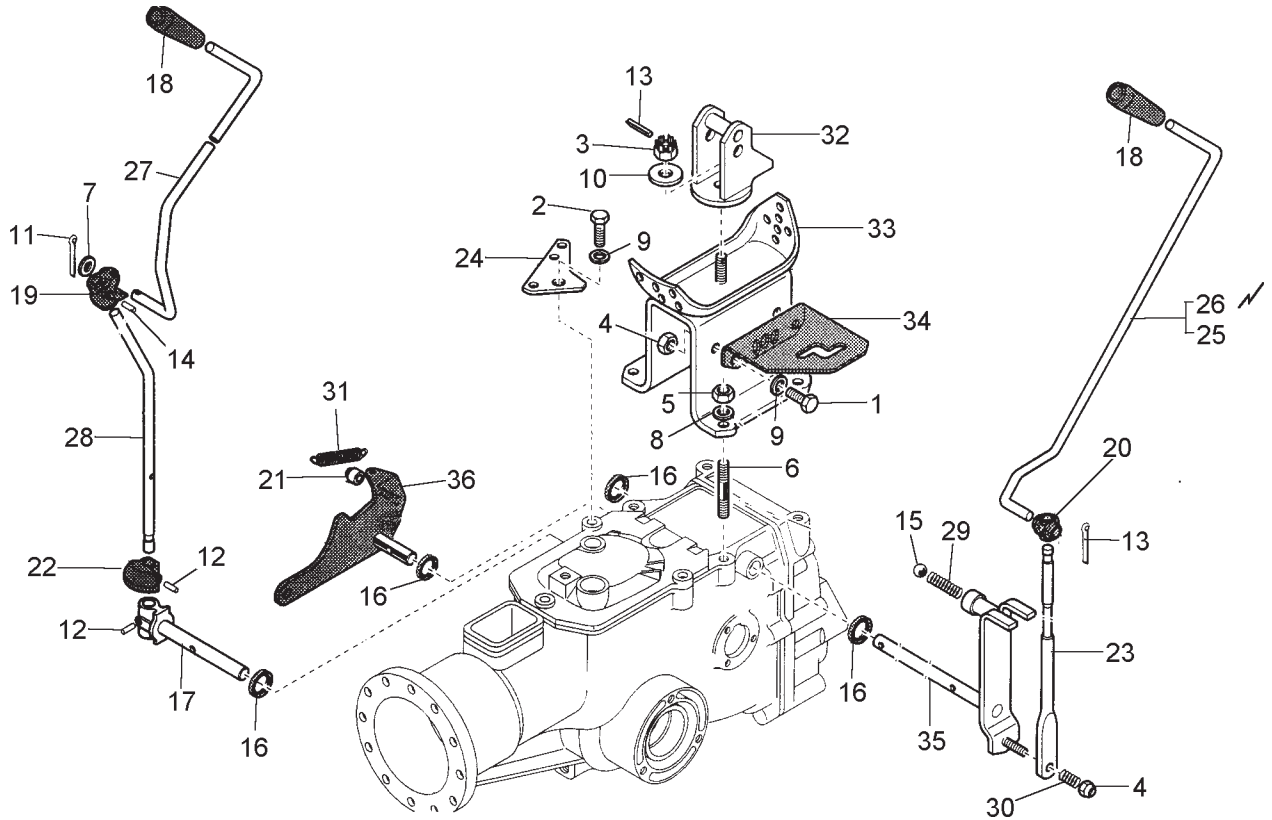
ID	PART NO	DESCRIPTION	ID	PART NO	DESCRIPTION
1	311.12294	SCREW, M12X85	11	552.51688	ADJUSTING LEVER
2	311.13210	SCREW, M10X80	12	563.51685	HANDLEBAR POSITION ROD
3	312.41100	NUT, SELF LOCKING, M10	13	580.42219	SPRING, ROD
4	312.41120	NUT, SELF LOCKING, M12	14	580.57266	CABLE GUIDE
5	314.21130	WASHER, M10.4	15	590.51682	STEERING COLUMN
6	314.23105	WASHER, LOCKING, M13			
7	342.11028	PIN, LOCKING			
8	342.11041	PIN, LOCKING, M4X35			
9	342.21070	PIN, LOCKING			
10	552.51686	SUPPORT, RD			

**710 (5SPD)****Handlebar****Serial Number Range**  
-----**07.00**

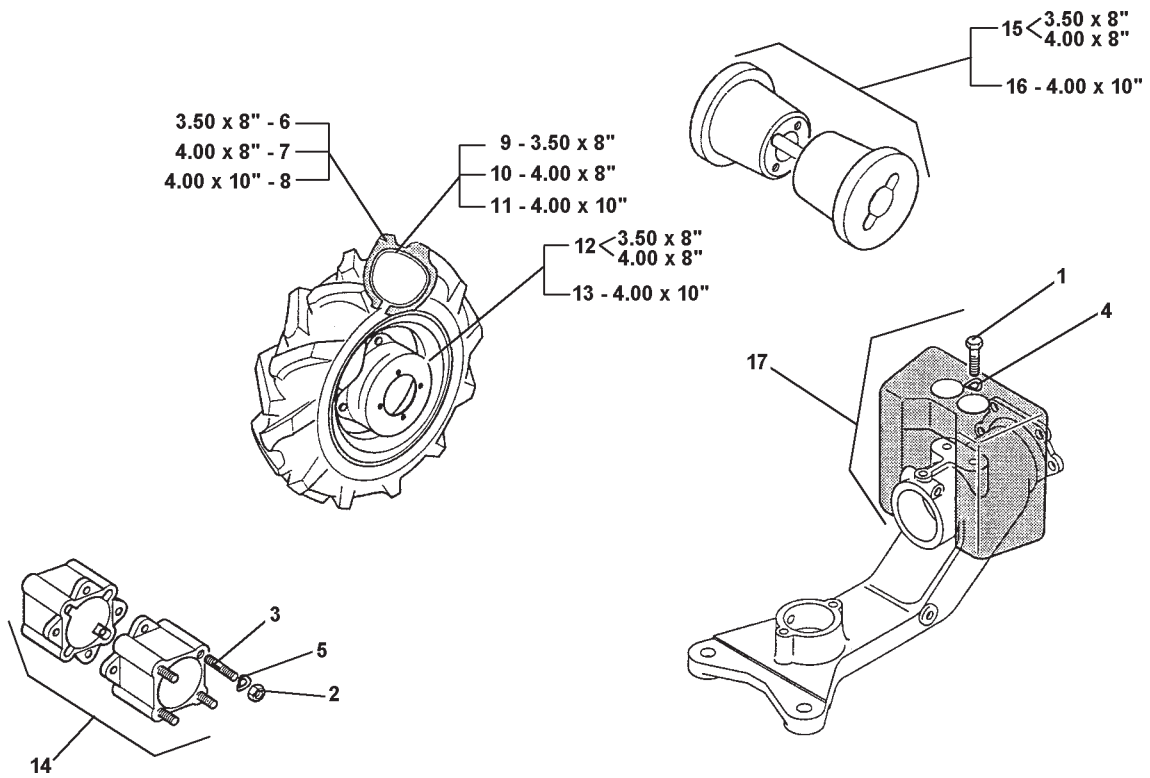
REVISED 12/27/2011



ID	PART NO	DESCRIPTION	ID	PART NO	DESCRIPTION
1	300.10103	SILENTBLOCK	28	580.47712	SPRING
2	311.11086	SCREW TE M4X25	29	580.48000	GRIP
3	311.11097	SCREW, TE M6X45	30	580.48009	STOP SWITCH
4	311.12089	SCREW, M6X25	31	580.43219	THROTTLE CABLE
5	311.12153	SCREW, M8X35	32	580.50345	LEVER SPRING
6	311.12217	SCREW, M10X80	33	580.51670	HOOK
7	312.11040	NUT, M4	34	580.48002	CABLE ADJUSTER
8	312.41080	NUT, M8	35	581.50313	BARREL
9	312.41060	NUT, SELF LOCKING M6	36	590.47709	SWITCH PLATE
10	312.41100	NUT, M10	37	590.57110	HANDLE BAR
11	314.11043	FLAT WASHER, M4.3	38	580.56164	SPRING
12	314.11064	WASHER, FLAT 6.4	39	580.56158	SPRING
13	314.23043	LOCK WASHER, M4.3	40	580.42200	CABLE CLAMP PIN
14	314.23084	WASHER, M8.4	41	311.11091	CAPSCREW M6X14
15	314.23105	WAVE WASHER, M10.4	42	580.42167	SHEATH END
16	552.43340	SUPPORT, CONTROL ROD	43	580.57286	REVERSER CABLE
17	552.48041	MOTOR STOP LEVER	44	580.42202	ADJUSTING SCREW
18	561.47655	CLUTCH LEVER	45	312.11080	NUT M8
19	561.47711	SPRING PIN	46	342.13020	SPLIT PIN 4X20
20	561.48037	LEVER STOP FOR MOTOR STOP	47	561.57332	PIN, REVERSER CABLE
21	561.50361	LEVER SPACER	48	561.48285	PIN
22	580.02429	CLAMP, CABLE	49	552.48283	LEVER, REVERSER
23	580.02538	THROTTLE LEVER	50	312.41080	NUT, SELF LOCKING M8
24	580.42167	CABLE END	51	314.23084	WASHER LOCK
25	580.42202	SCREW, ADJUSTING, M8	52	312.41100	NUT, SELF LOCKING M10
26	580.47568	SWITCH WIRING HARNESS	53	580.53035	CABLE, CLUTCH ELECTRIC START
27	580.47629	CLUTCH CABLE			



ID	PART NO	DESCRIPTION	ID	PART NO	DESCRIPTION
1	311.12150	SCREW, M8X20	21	552.57313	PTO LOCKOUT RING
2	311.12152	SCREW, M8X30	22	552.57321	PTO STOP RING
3	312.01212	NUT, CASTLE, M12	23	561.57271	SPEED CONTROL LEVER
4	312.41080	NUT, SELF LOCKING, M8	24	561.57274	REVERSE BRACKET
5	312.41085	NUT, M8	25	561.57275	SPEED CONTROL ROD, REC START
6	313.12082	STUD, M8X38X14X20	26	561.57276	SPEED CONTROL ROD, ELECTRIC
7	314.11104	WASHER, M10.5	27	561.57282	PTO CONTROL ROD, EL. START
8	314.21083	SUPER WASHER	28	561.57323	PTO CONTROL LEVER
9	314.23084	WASHER, LOCK, M8.4	29	580.43176	SPRING
10	314.23130	LOCK WASHER, M13	30	580.57232	SPRING
11	341.10028	COTTERPIN	31	580.57273	SPRING
12	342.13020	PIN, LOCKING, M4X20	32	590.56900	HANDLE BAR SUPPORT
13	342.13022	PIN, LOCKING, M3X22	33	590.56905	HANDLE BAR ANCHOR
14	342.13024	PIN, LOCKING, M4X24	34	590.57231	GEAR SELECTOR, 716, 720, 730
15	379.11532	BALL, 15/32"	35	590.57304	SPEED CONTROL LEVER
16	382.11400	OIL SEAL, 14X22X4	36	590.57319	REVERSE LEVER
17	523.57250	PTO SHAFT			
18	551.42076	KNOB			
19	552.48379	PTO ARTICULATION			
20	552.57249	SPEED ARTICULATION, 716, 720, 730			



ID	PART NO	DESCRIPTION	ID	PART NO	DESCRIPTION
1	311.12151	SCREW, M8X25	11	394.14010	TUBE 4.00X10"
2	312.11100	NUT, M10	12	580.43250	WHEEL DISC, 3.50X8" & 4.00X8"
3	313.12102	STUD, M10X40X22X14	13	580.48330	RIM, 4.00X10"
4	314.23084	WASHER, M8.4	14	922.43685	WHEEL SPACERS, FIXED
5	314.23105	WASHER, LOCK, 10.5	15	922.43686	WHEEL WEIGHTS 48#
6	391.13502	TIRE 3.50X8" TRACTOR	16	922.48715	WHEEL WEIGHTS 66#
7	391.14008	TIRE 4.00X8" TRACTOR			
8	391.14010	TIRE 4.00X10" TRACTOR			
9	NLA	TUBE 3.50X8" (USE 394.14008)			
10	394.14008	TUBE 4.00X8"			