



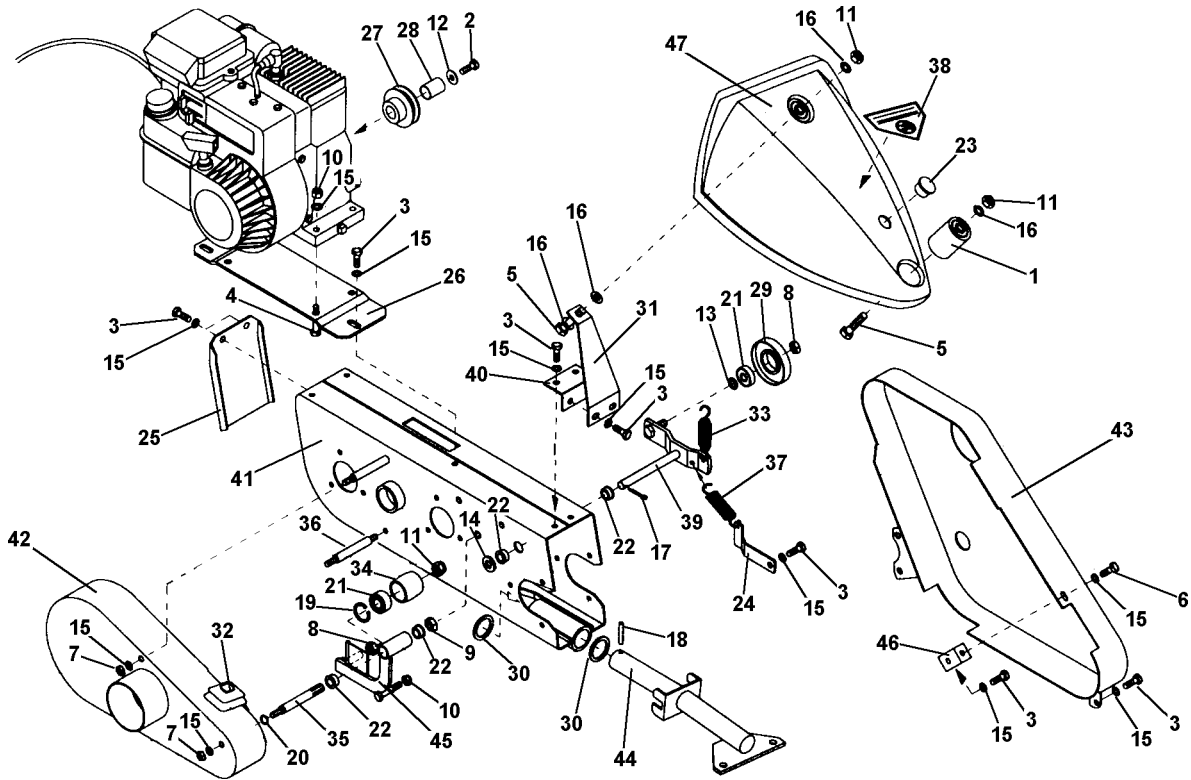
A M E R I C A

705

Frame

Serial Number Range 1000 - -----

01.00



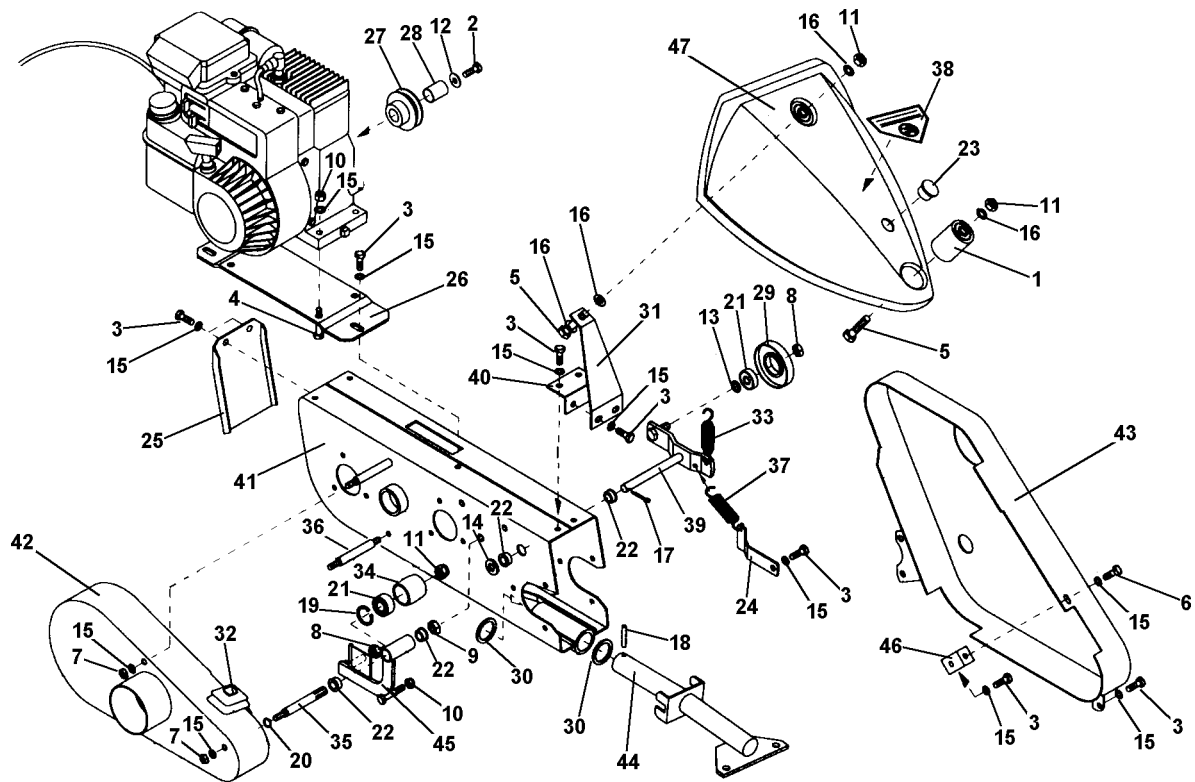
ID	PARTNO	DESCRIPTION	DENOMINACION	NOTES
1	300.10102	SILENT BLOCK	SILENTBLOC	
2	311.00003	SCREW 5/16 X 7/8"	TORNILLO 5/16 X 7/8"	
3	311.12150	SCREW M8X20	TORNILLO M8X20	
4	311.12154	SCREW M8X40	TORNILLO M8X40	
5	311.12214	SCREW M10X45	TORNILLO M10X45	
6	311.21007	SCREW M10X35	TORNILLO M10X35	
7	312.11080	NUT M8	TUERCA M8	
8	312.11100	NUT M10	TUERCA M10	
9	312.11120	NUT M12	TUERCA M12	
10	312.41080	NUT, SELF LOCKING M8	TUERCA AUTOBLOC M8	
11	312.41100	NUT, SELF LOCKING M10	TUERCA AUTOBLOC M10	
12	314.11090	WASHER, FLAT	ARANDELA PLANA	
13	314.11105	WASHER, FLAT M10.5	ARANDELA PLANA M10.5	
14	314.11130	WASHER, FLAT M13	ARANDELA PLANA M13	
15	314.21083	WASHER, M8.3	ARANDELA M8.3	
16	314.23105	WASHER, LOCK M10.5	ARANDELA DE. RES. M10.5	
17	341.10031	COTTER PIN	PASADOR	
18	342.11064	LOCKING PIN M6X40	ESP. DE. RES. M6X40	
19	351.11030	CIRCLIP, INTERNAL	SEEGER	
20	351.21012	CIRCLIP, EXTERNAL	SEEGER	
21	371.12099	BEARING M10X30X9	CONJINETE M10X30X9	
22	511.46808	BUSHING	CASQUILLO	
23	551.43593	PLUG	TAPON	
24	561.46783	SPRING SUPPORT	MUELLE SOPORTE	
25	561.46809	BACK COVER	TAPA POSTERIOR	
26	561.46810	ENGINE BRACKET	SOPORTE ENGINE	
27	561.46813	ENGINE PULLEY	POLEA	
28	561.46815	SPACER	SEPARADOR	
29	561.46844	IDLER PULLEY	POLEA TENSOR	
30	561.46849	SHIM	ARANDELA	
31	563.46825	HOOD BRACKET	ATAQUE	
32	580.46794	BOOT	FUELLE	
33	580.46798	SPRING	MUELLE	
34	580.46854	SPACER	SOPORTE	
35	580.46855	IDLER SHAFT	ARBOL	

705

Frame

Serial Number Range 1000 - -----

01.00



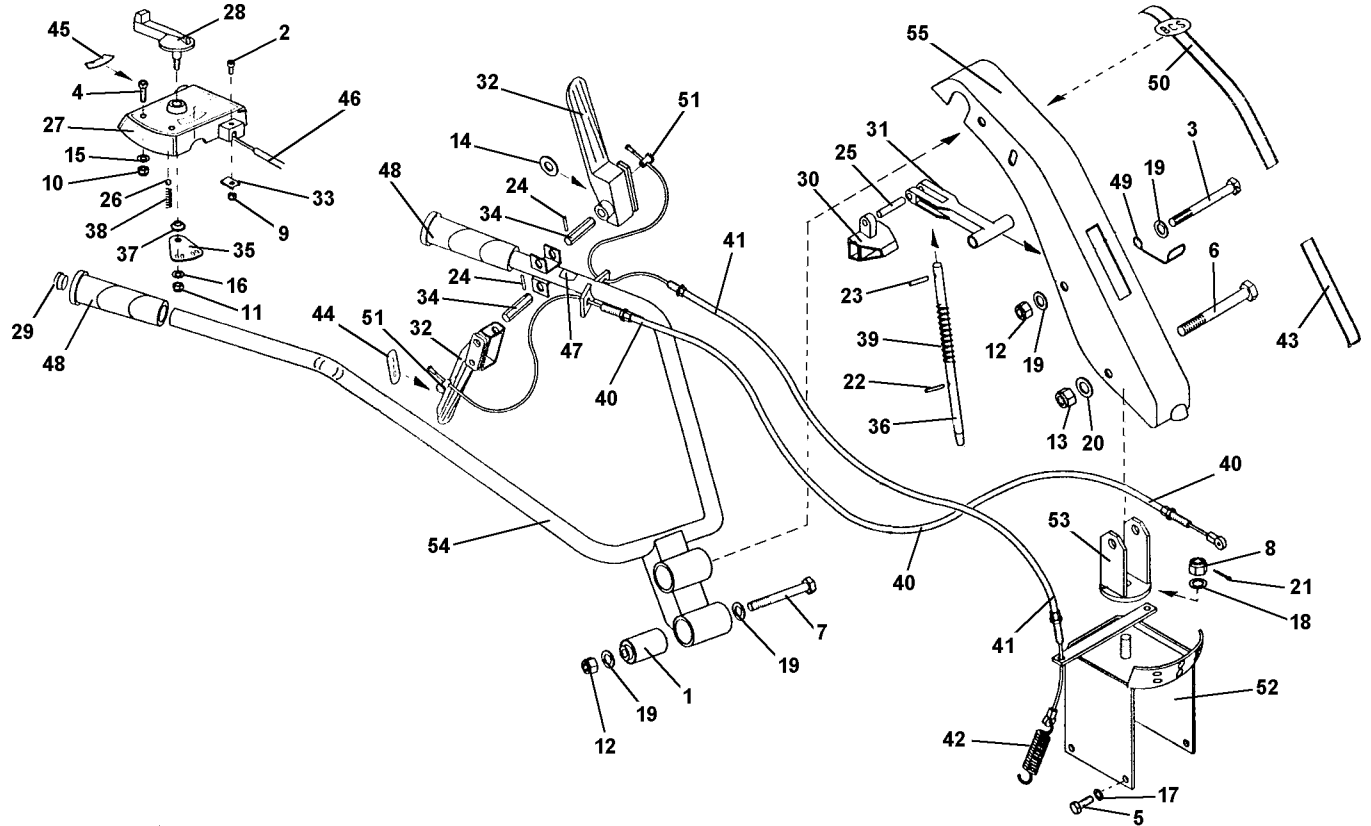
ID	PARTNO	DESCRIPTION	DENOMINACION	NOTES
36	580.46894	SPACER SHAFT	ARBOL SEPARADOR	
37	580.46897	SPRING	MUELLE	
38	580.46924	DECAL	ADHESIVO	
39	590.46784	IDLER ARM	SENSOR	
40	590.46790	BRACE	SOPORTE	
41	590.46800	FRAME	CHASIS	
42	590.46811	BELT GUARD	CORREA PROTECCION	
43	590.46812	BELT GUARD	CORREA PROTECCION	
44	590.46845	CUTTERBAR SUPPORT	BARRA SOPORTE	
45	590.46851	IDLER ARM	SENSOR	
46	590.46895	BRACKET, BELT GUARD	BRAZO CORREA PROTECCION	
47	590.50640	HOOD	PROTECCION	

705

Handlebar

Serial Number Range 1000 -

02.00



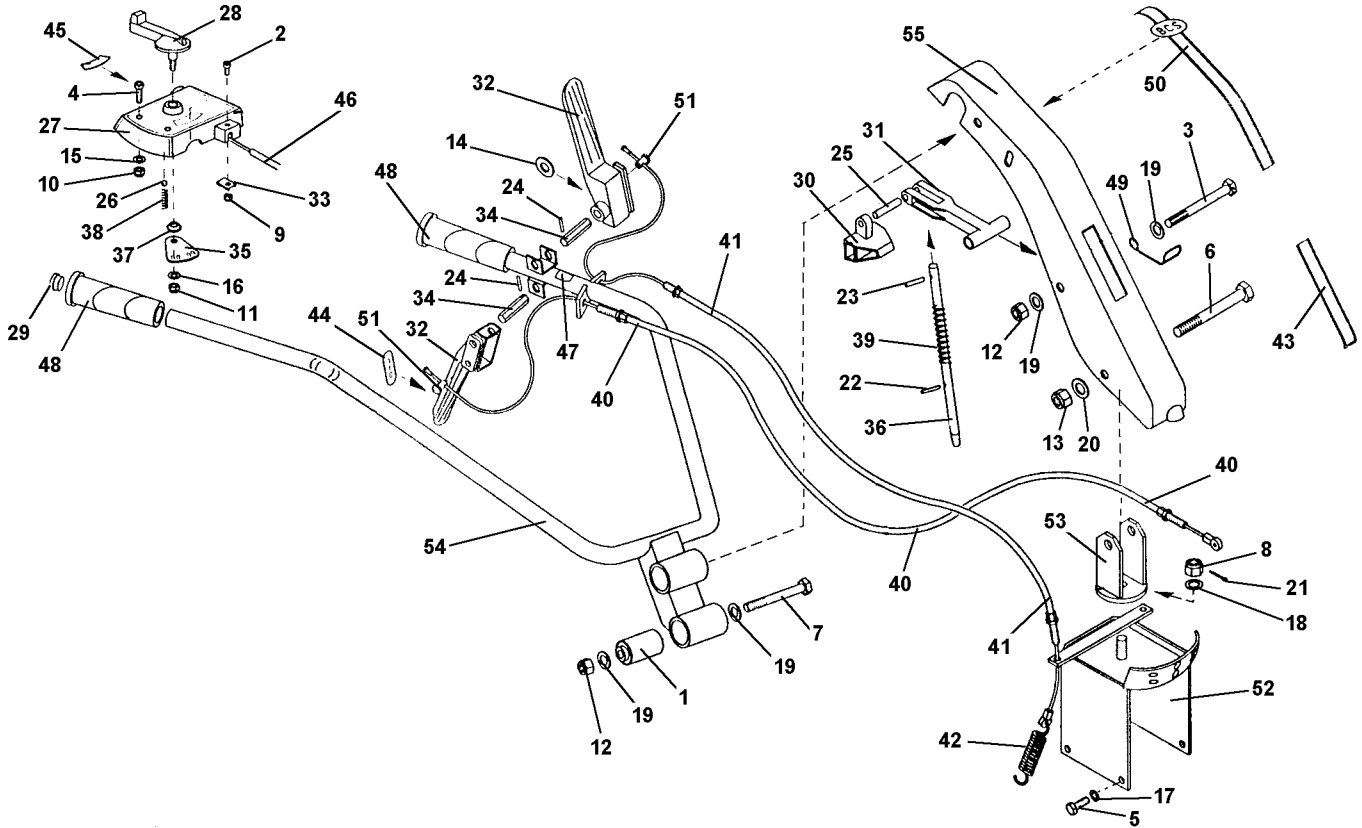
ID	PARTNO	DESCRIPTION	DENOMINACION	NOTES
1	300.10103	SILENT BLOCK	SILENTBLOC	
2	311.11089	SCREW M5X10	TORNILLO M5X10	
3	311.11224	SCREW M10X85	TORNILLO M10X85	
4	311.12092	SCREW M6X35	TORNILLO M6X35	
5	311.12150	SCREW M8X20	TORNILLO M8X20	
6	311.12294	SCREW M12X85	TORNILLO M12X85	
7	311.13210	SCREW M10X80	TORNILLO M10X80	
8	312.01212	NUT, SELF LOCKING M12	TUERCA HEX. INT. M12	
9	312.11050	NUT, M5	TUERCA M5	
10	312.41060	NUT, SELF LOCKING M6	TUERCA AUTOBLOC. M6	
11	312.41083	NUT, SELF LOCKING M8	TUERCA AUTOBLOC. M8	
12	312.41100	NUT, SELF LOCKING M10	TUERCA AUTOBLOC. M10	
13	312.41120	NUT, SELF LOCKING M12	TUERCA AUTOBLOC. M12	
14	314.11130	WASHER	ARANDELA	
15	314.13064	WASHER, FLAT M6.3	ARANDELA PLANA M6.3	
16	314.14084	WASHER, FLAT M8.4	ARANDELA PLANA M8.4	
17	314.21083	WASHER M8.4	ARANDELA M8.4	
18	314.21130	WASHER M13	ARANDELA M13	
19	314.23105	WASHER, LOCK M10.5	ARANDELA DE. RES. M10.5	
20	314.23130	WASHER, LOCK M13	ARANDELA DE. RES. M13	
21	341.10031	COTTER PIN	PASADOR	
22	342.11028	LOCKING PIN M3X18	ESP. DE. RES. M3X18	
23	342.11041	LOCKING PIN M4X35	ESP. DE. RES. M4X35	
24	342.11042	LOCKING PIN M4X25	ESP. DE. RES. M4X25	
25	342.21070	LOCKING PIN M8X50	ESP. DE. RES. M8X50	
26	379.10832	BALL	BOLA	
27	552.50305	THROTTLE CONTROL COVER	MANDO GAS	
28	552.50310	THROTTLE LEVER	PALANCA MANDO GAS	
29	552.51634	PLUG	TAPON	
30	552.51686	SUPPORT, ROD	SOPORTE PALANCA	
31	552.51688	ADJUSTING LEVER	PALANCA DE REGULACION	
32	552.51699	LEVER	PALANCA	
33	561.50358	PLATE	PLETINA	
34	561.51718	PIN, HEXAGONAL	PERNO EXAGONAL	
35	563.50306	QUADRANT, THROTTLE CONTR	PALANCA AMNDO GAS	

705

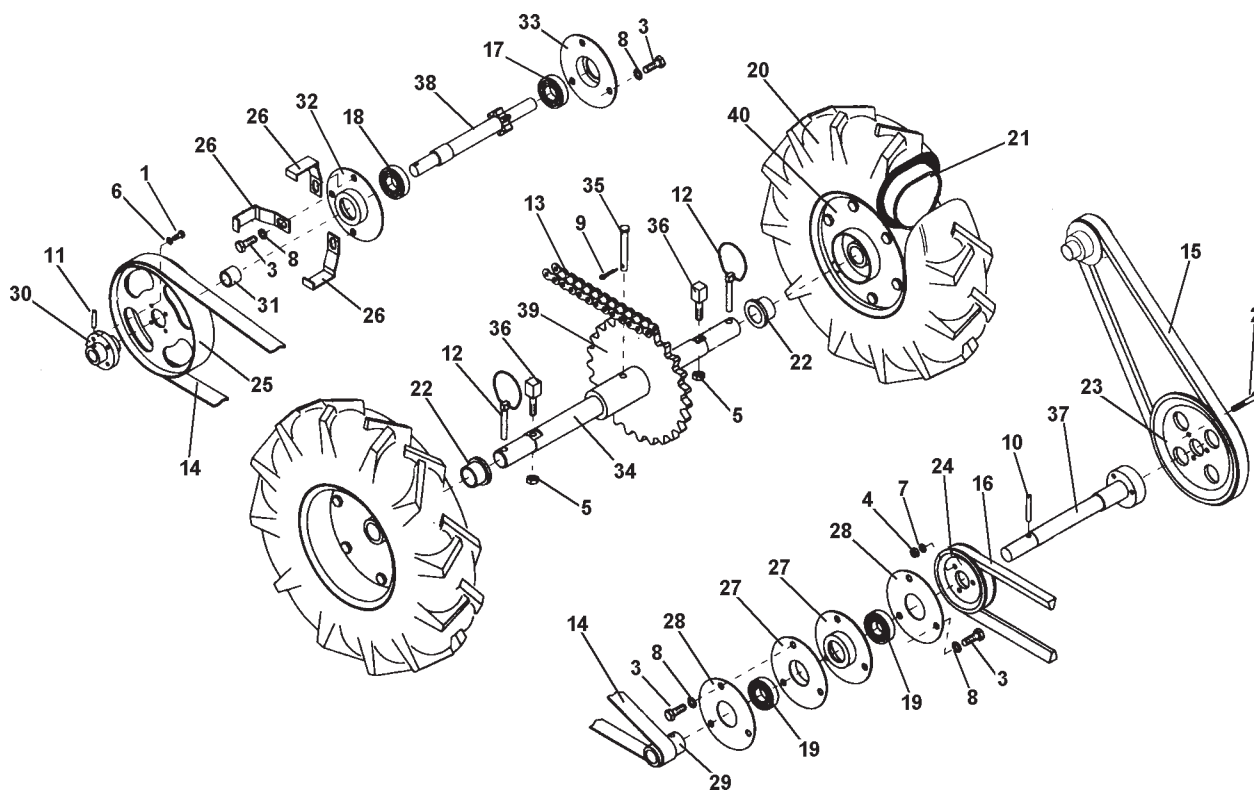
Handlebar

Serial Number Range
1000 - -----

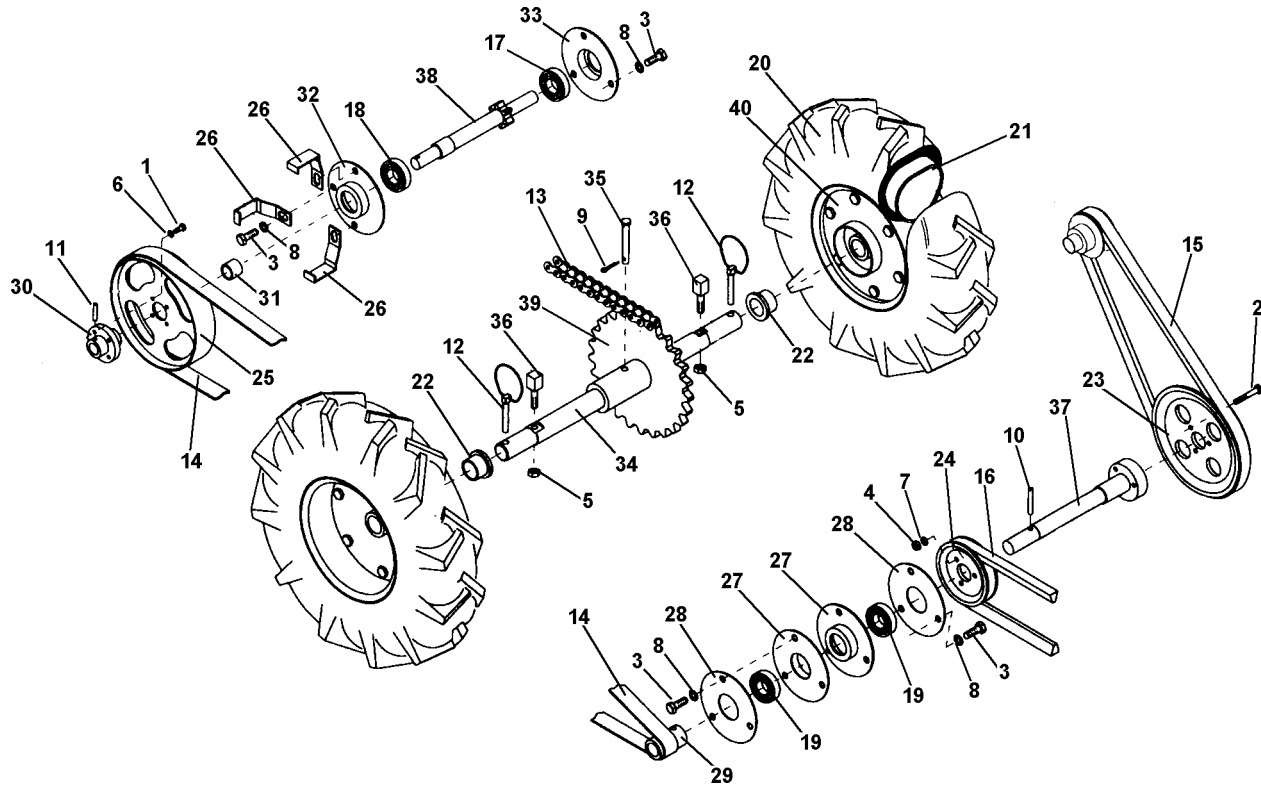
02.00



ID	PARTNO	DESCRIPTION	DENOMINACION	NOTES
36	563.51685	HANDLEBAR POSITIONING ROD	VARILLA MANILLAR	
37	571.50312	SPRING WASHER	MUELLE	
38	580.42059	SPRING, THROTTLE CONTROL	MUELLE	
39	580.42219	SPRING, ROD	MUELLE	
40	580.46795	CABLE ASSEMBLY, PTO	FILO TOMA DE FUERZA	
41	580.46796	CABLE ASSEMBLY, DRIVE	FILO MARCHA ADELANTE	
42	580.46814	SPRING WHEEL DRIVE	MUELLE	
43	580.46960	DECAL	ADHESIVO	
44	580.47954	DECAL, PTO	ADHESIVO TDF	
45	580.51601	DECAL, THROTTLE	ADHESIVO MANDO	
46	580.51602	THROTTLE CABLE	FILO MANDO GAS	
47	580.51651	DECAL, WHEELS	ADHESIVO MARCHA	
48	580.51665	COVER, HANDLEBAR	MANILLA	
49	580.57266	CABLE GUIDE	FILO GUIDE	
50	580.57702	DECAL "CRUSADER"	ADHESIVO "CRUSADER"	
51	581.50313	BARREL	PASADOR	
52	590.46881	HANDLE COLUMN ANCHOR	ATAQUE MANILLAR	
53	590.46886	HANDLE COLUMN SUPPORT	SOPORTE MANILLAR	
54	590.46889	HANDLEBAR	MANILLAR	
55	590.51682	HANDLEBAR COLUMN	COLUMNA MANILLAR	



ID	PARTNO	DESCRIPTION	DENOMINACION	NOTES
1	311.12050	SCREW M5X16	TORNILLO M5X16	
2	311.12091	SCREW M6X40	TORNILLO M6X40	
3	311.12150	SCREW M8X20	TORNILLO M8X20	
4	312.41060	NUT, SELF LOCKING M6	TUERCA AUTOBLOC. M6	
5	312.41080	NUT, SELF LOCKING M8	TUERCA AUTOBLOC. M8	
6	314.11053	WASHER, FLAT M5.3	ARANDELA PLANA M5.3	
7	314.13064	WAHSER, FLAT M6.3	ARANDELA PLANA M6.3	
8	314.21083	WASHER M8.3	ARANDELA M8.3	
9	341.10020	COTTER PIN	PASADOR	
10	342.11061	LOCKING PIN M6X25	ESP. DE. RES. M6X25	
11	342.11062	LOCKING PIN M6X30	ESP. DE. RES. M6X30	
12	342.40070	QUICK PIN	PERNO	
13	361.10058	CHAIN	CADENA	
14	362.00001	BELT, WHEEL DRIVE	CORREA RUEDA	
15	362.10006	BELT, ENGINE	CORREA	
16	362.10004	BELT, CUTTERBAR	CORREA	
17	371.12150	BEARING M15X35X11	COJINETE M15X35X11	
18	371.12171	BEARING M17X40X12	COJINETE M17X40X12	
19	371.12203	BEARING M20X42X12	COJINETE M20X42X12	
20	391.13500	TIRE 3.50X6	CUBIERTA 3.50X6	
21	394.14007	TUBE 3.50X6	CAMARA DE AIRE 3.50X6	
22	511.46806	BUSHING	CASQUILLO	
23	532.46817	PULLEY	POLEA	
24	532.46824	PULLEY	POLEA	
25	532.46857	PULLEY	POLEA	
26	561.46669	BELT GUIDE	DEDO POLEA	
27	561.46821	BEARING SUPPORT HALF	SOPORTE COJINETE	
28	561.46822	BEARING SUPPORT HALF	SOPORTE COJINETE	
29	561.46823	ROLLER PULLEY	POLEA	
30	561.46858	PULLEY HUB	CUBO POLEA	
31	561.46860	SPACER	SEPARADOR	
32	561.46861	BEARING SUPPORT	SOPORTE COJINETE	
33	561.46862	BEARING SUPPORT	SOPORTE COJINETE	
34	561.46867	WHEEL AXEL	PARTE REUDAS	
35	561.46868	SHAFT PIN	PERNO	



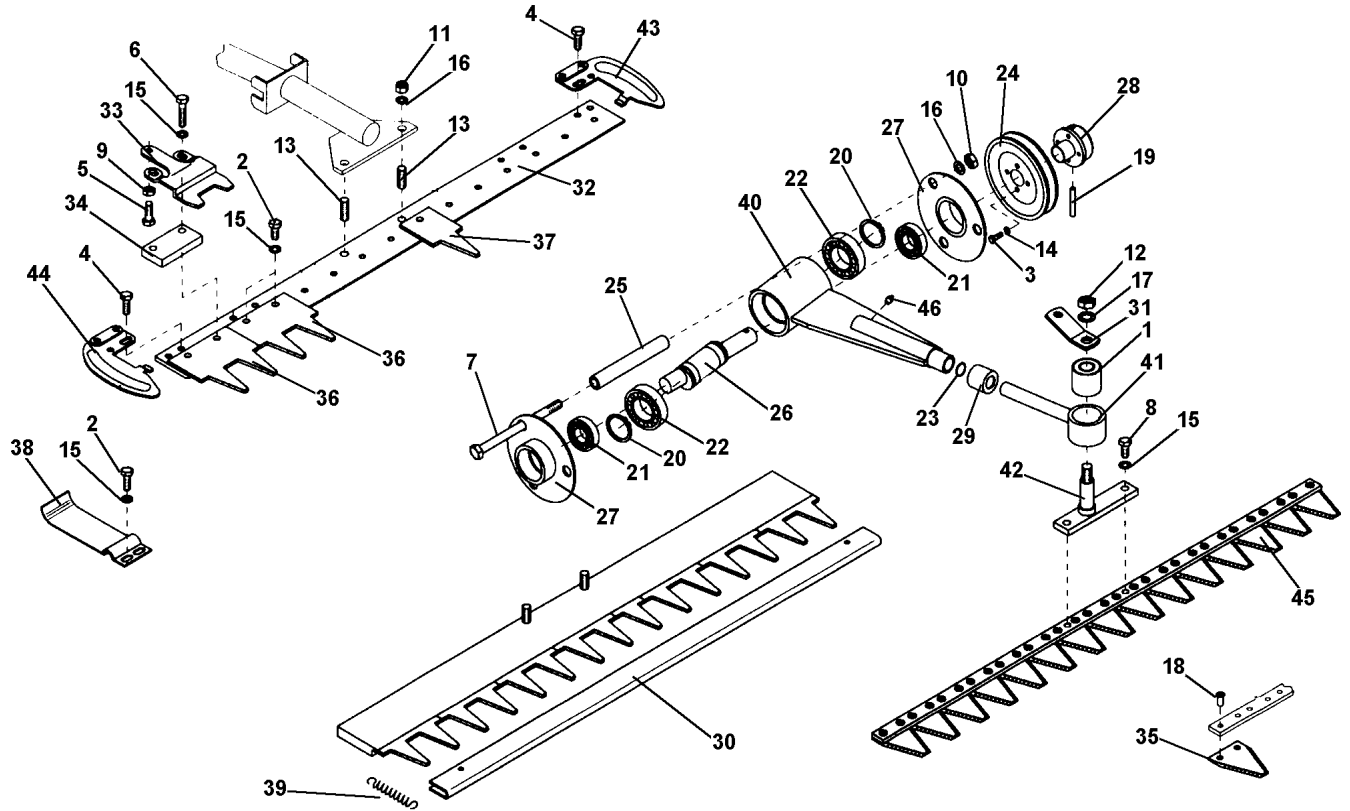
ID	PARTNO	DESCRIPTION	DENOMINACION	NOTES
36	563.46850	BOLT PIN	CLAVITA	
37	590.46818	PULLEY SHAFT	ARBOL POLEA	
38	590.46859	PULLEY AND CHAIN SHAFT	ARBOL POLEA CADENA	
39	590.46864	CHAIN SPROCKET	CADENA POLEA	
40	592.46871	WHEEL RIM	LLANTA	

705

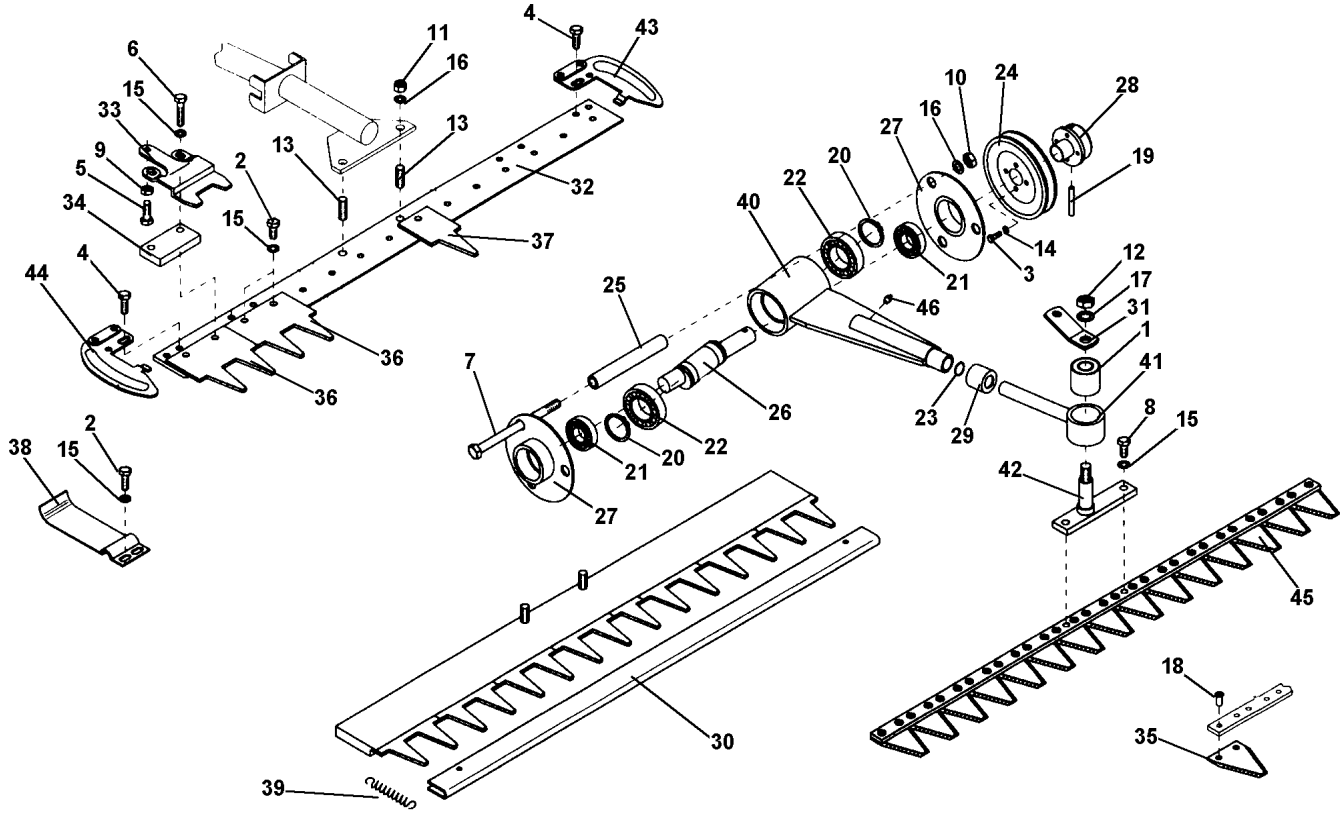
Cutter Bar

Serial Number Range
1000 - -----

04.00



ID	PARTNO	DESCRIPTION	DENOMINACION	NOTES
1	300.10160	SILENT BLOCK	SILENTBLOC	
2	311.11151	SCREW M8X16	TORNILLO M8X16	
3	311.12050	SCREW M5X16	TORNILLO M5X16	
4	311.12148	SCREW M8X14	TORNILLO M8X14	
5	311.12150	SCREW M8X20	TORNILLO M8X20	
6	311.12153	SCREW M8X35	TORNILLO M8X35	
7	311.12228	SCREW M10X120	TORNILLO M10X120	
8	311.13093	SCREW M8X1X16	TORNILLO M8X1X16	
9	312.11080	NUT M8	TUERCA M8	
10	312.11100	NUT, M10	TUERCA M10	
11	312.41100	NUT, SELF LOCKING M10	TUERCA AUTOBLOC. M10	
12	312.41121	NUT, SELF LOCKING M12	TUERCA AUTOBLOC. M12	
13	313.11101	STUD M10X30	PRISIONERO M10X30	
14	314.11053	WASHER, FLAT M5.3	ARANDELA PLANA 5.3	
15	314.21083	WASHER M8.4	ARANDELA M8.4	
16	314.21101	SUPER WASHER M10	SUPER ARANDELA M10	
17	314.21130	SUPER WASHER M13	SUPER ARANDELA M13	
18	331.12530	RIVET M5.3X14	REMACHE M5.3X14	
19	342.11068	LOCKING PIN M6X45	ESPINA DE RES. M6X45	
20	351.21030	CIRCLIP, EXTERNAL	SEEGER	
21	371.12200	BEARING M20X47X14	COJINETE M20X47X14	
22	371.12230	BEARING M30X55X13	COJINETE M30X55X13	
23	381.11564	"O" RING	OR	
24	532.46829	PULLEY	POLEA	
25	561.46797	SPACER	SEPARADOR	
26	561.46826	ARTICULATING SHAFT	ARBOL MANGUETA	
27	561.46827	BEARING HOLDER	SOPORTE COJINETE	
28	561.46830	PULLEY HUB	CUBO POLEA	
29	561.46835	SPACER	SEPARADOR	
30	561.46878	BLADE GUARD	PROTECCION CUCHILLA	
31	561.46880	HOOD BRACKET	ATAQUE	
32	563.48936	SLIDE FOR CUTTERBAR	PATIN PARA BARRA	
33	563.51400	BLADE HOLDER	GUIA CUCHILLA	
34	563.51402	BLADE GUIDE BLOCK	CUBO GUIA CUCHILLA	
35	563.59015	INDIVIDUAL BLADE	SECCION CUCHILLA	



ID	PARTNO	DESCRIPTION	DENOMINACION	NOTES
36	565.50648	DOUBLE FINGER	DIENTE DOBLE	
37	565.50649	SINGLE FINGER	DIENTE SIMPLE	
38	580.46677	SKID	PATIN CON TORNILLOS	
39	580.49942	SPRING	MUELLE	
40	590.46831	BAR CONTROL	MANIVELA CUCHILLA REFORCADA	
41	590.46837	ARM, BAR CONTROL	ARBOL EXCENTRICO	
42	590.46875	BLADE PIN	PERNO MANDO CUCHILLA	
43	590.48931	R.H. END GUARD	PROTECCION EXTREMO R.H.	
44	590.48932	L.H. END GUARD	PROTECCION EXTREMO L.H.	
45	590.59030	BLADE ASSEMBLY	CUCHILLA	
46	F0826016000	GREASE ZIRT	ENGRASADOR	